



US00D518843S

(12) **United States Design Patent**
Tullberg et al.

(10) **Patent No.: US D518,843 S**

(45) **Date of Patent: ** Apr. 11, 2006**

(54) **APPARATUS FOR NETWORK CAMERAS**

(75) Inventors: **Joacim Tullberg**, Lund (SE); **Oscar Strand**, Malmo (SE); **Carl-Axel Alm**, Lund (SE); **Oskar Ponnert**, Malmo (SE); **Morten Bergstrom**, Lund (SE)

(73) Assignee: **Axis AB**, Lund (SE)

(**) Term: **14 Years**

(21) Appl. No.: **29/219,403**

(22) Filed: **Dec. 16, 2004**

Related U.S. Application Data

(62) Division of application No. 29/189,724, filed on Sep. 9, 2003.

(30) **Foreign Application Priority Data**

Mar. 11, 2003 (SE) 03-0339

(51) **LOC (8) Cl.** **16-01**

(52) **U.S. Cl.** **D16/218; D16/202**

(58) **Field of Classification Search** D16/200-205,
D16/208, 218, 219; 348/14.08, 14.09, 14.1,
348/143, 373-376; 358/906, 909.1; 396/419,
396/427

See application file for complete search history.

(56) **References Cited**

U.S. PATENT DOCUMENTS

D296,551 S * 7/1988 Mizogui D16/202

D429,269 S * 8/2000 Renkis D16/203
D454,900 S * 3/2002 Tsang et al. D16/202
D472,258 S * 3/2003 Yin et al. D16/202
D474,221 S * 5/2003 Cheng D16/218
D483,387 S * 12/2003 Chang et al. D16/202
6,705,774 B1 * 3/2004 Tashiro et al. 396/427
D501,494 S * 2/2005 Ogura D16/202

* cited by examiner

Primary Examiner—Adir Aronovich

(74) *Attorney, Agent, or Firm*—IP Creators Charles C Cary

(57) **CLAIM**

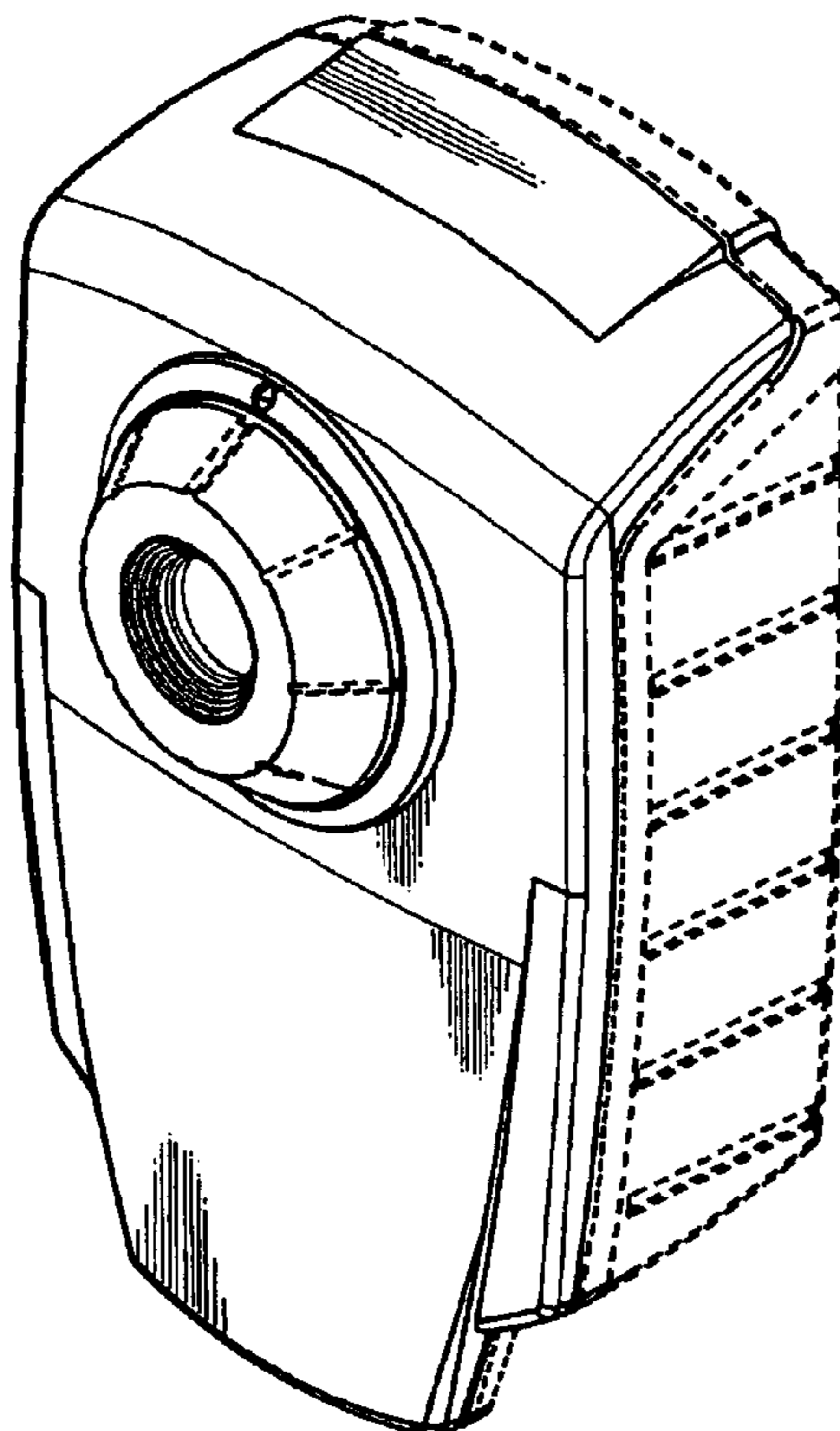
The ornamental design for an apparatus for network cameras, as shown and described.

DESCRIPTION

FIG. 1 is a top, front and right side perspective view of an apparatus for network cameras showing our new design; FIG. 2 is a bottom, rear and left side perspective view thereof; FIG. 3 is a front elevational view thereof; FIG. 4 is a left side elevational thereof; FIG. 5 is a bottom plan view thereof; FIG. 6 is a top plan view thereof; FIG. 7 is a rear elevational view thereof; and, FIG. 8 is a right side elevational view thereof.

The portions of the article in broken lines are shown for illustrative purposes only and form no part of the claimed design.

1 Claim, 8 Drawing Sheets



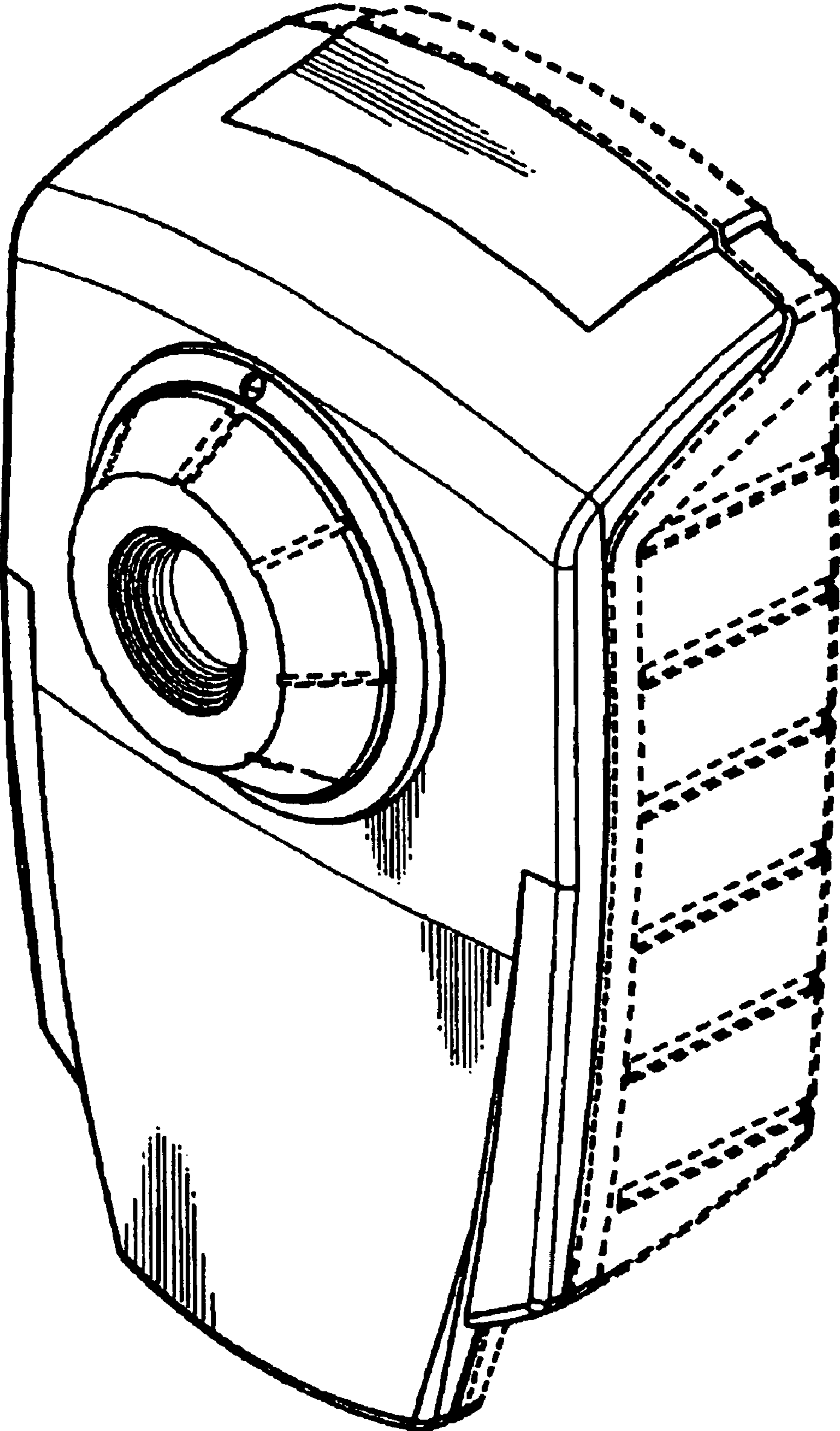


Fig. 1

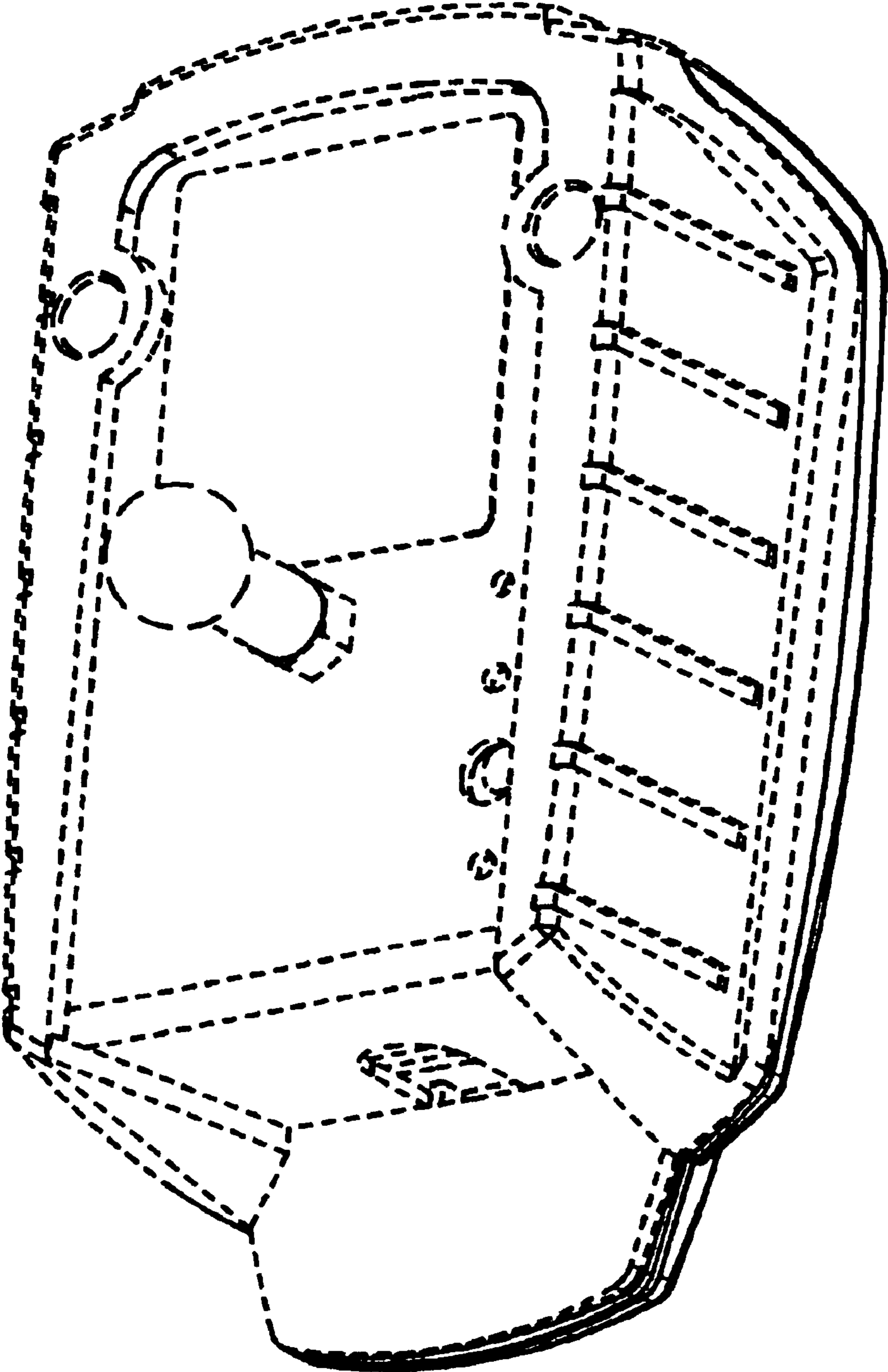


Fig. 2

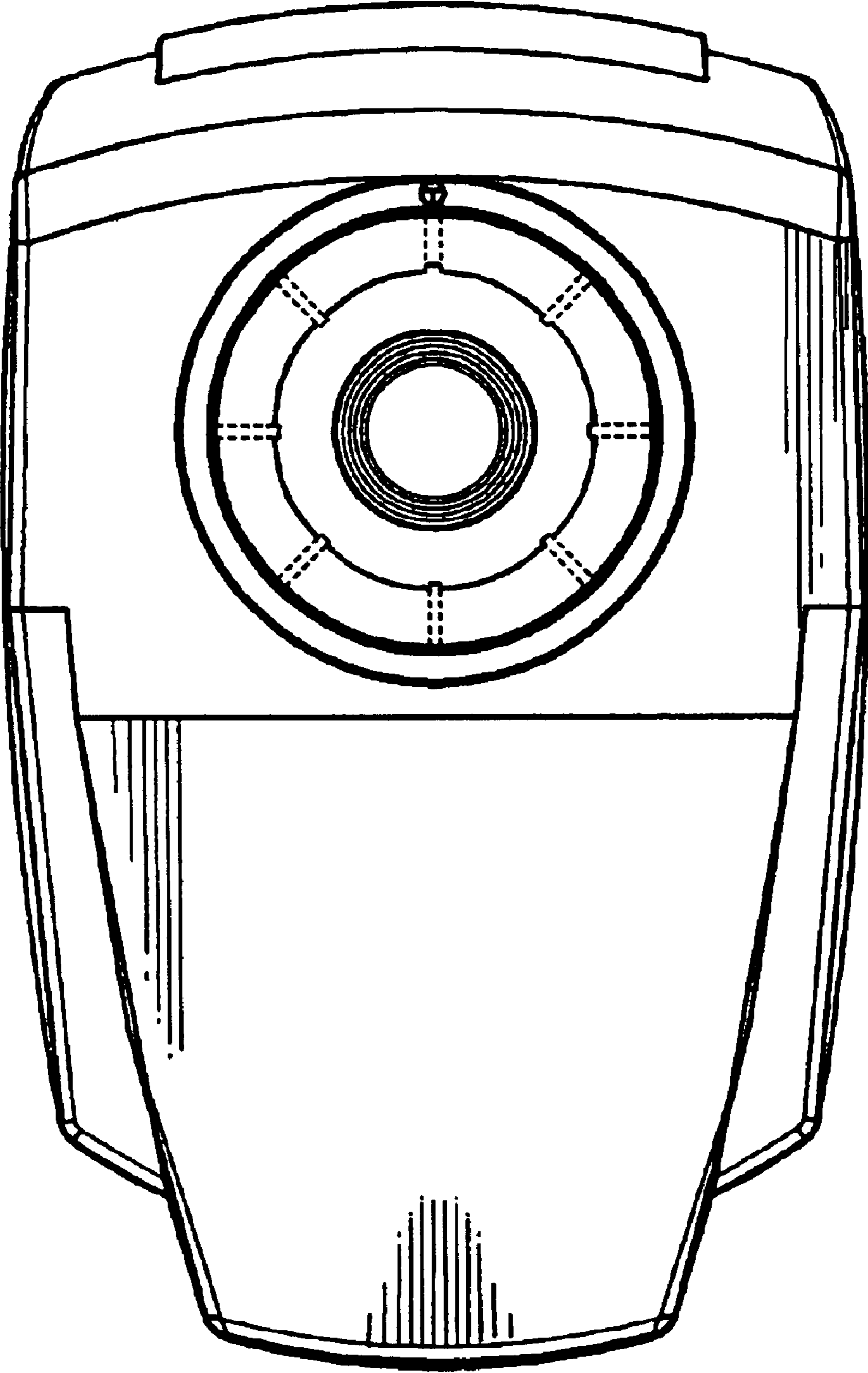


Fig. 3

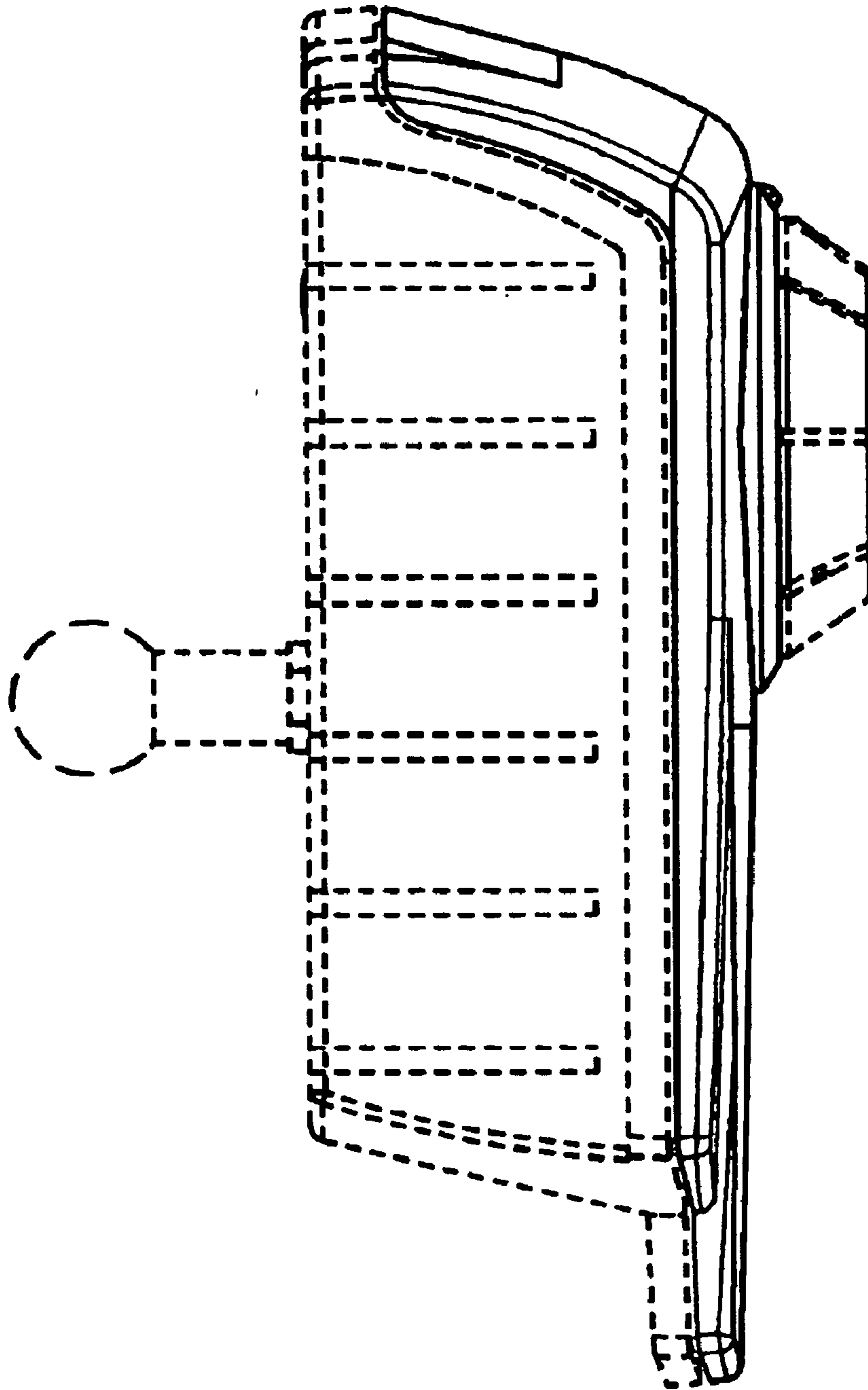


Fig. 4

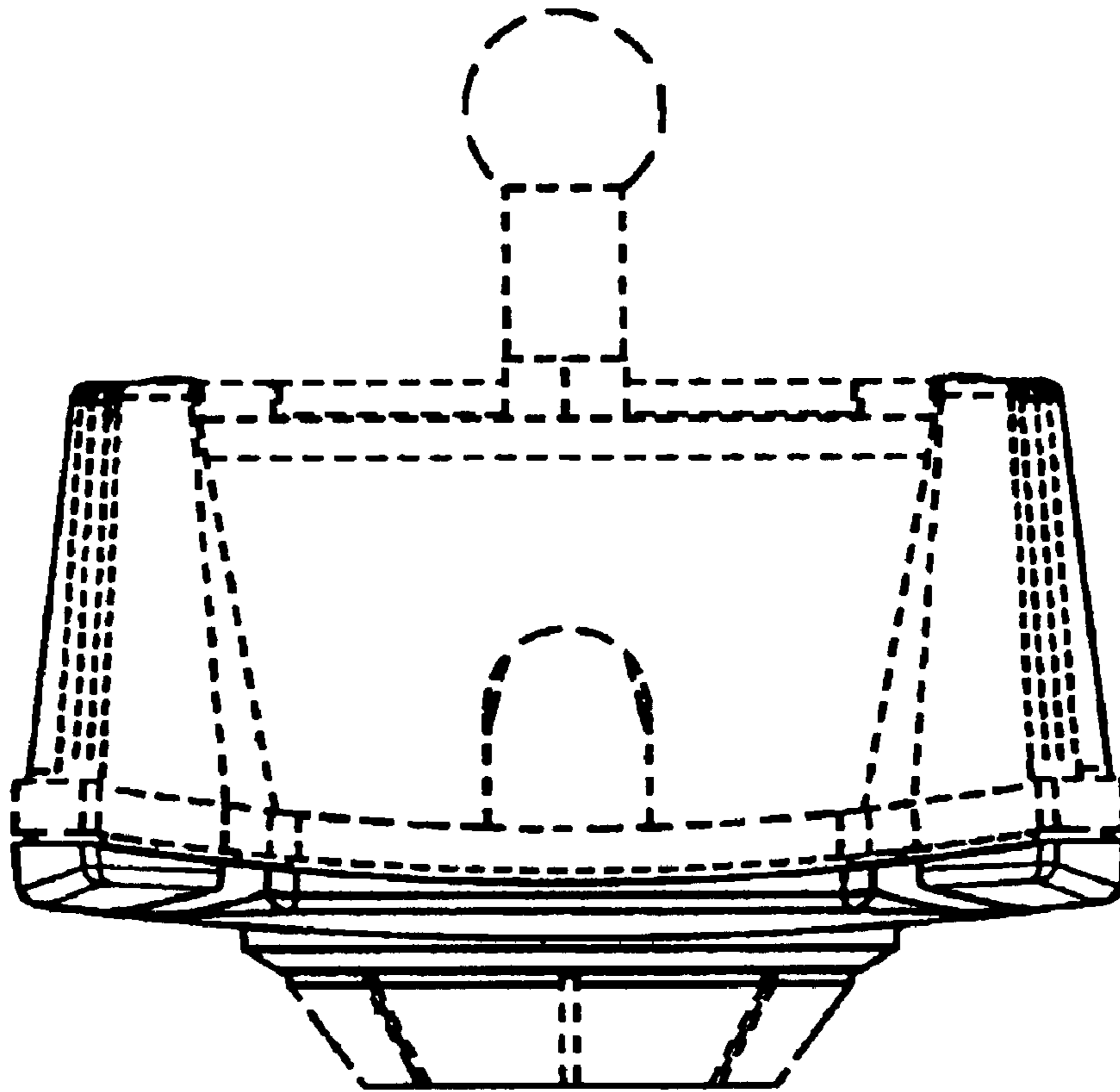


Fig. 5

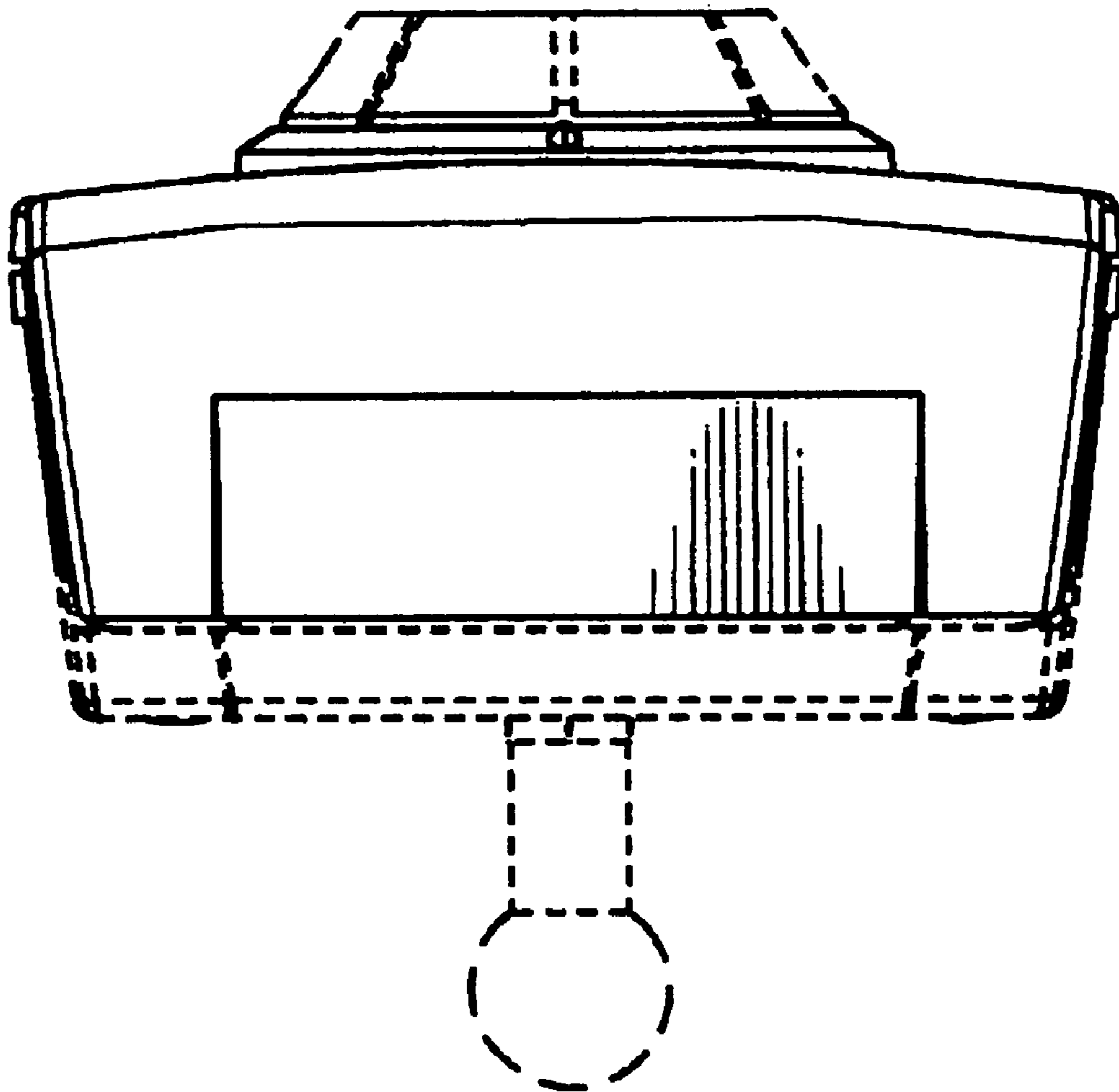


Fig. 6

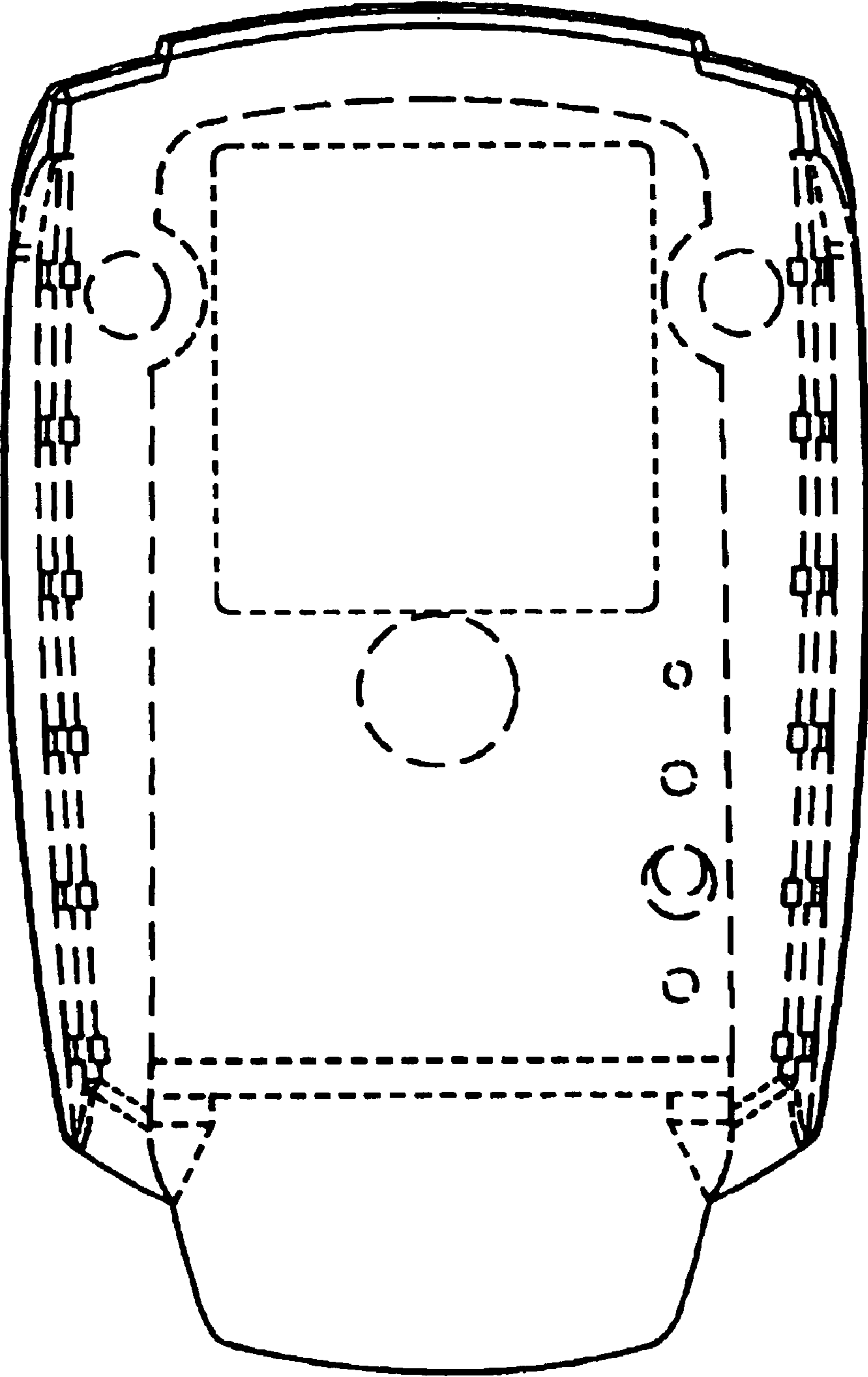


Fig. 7

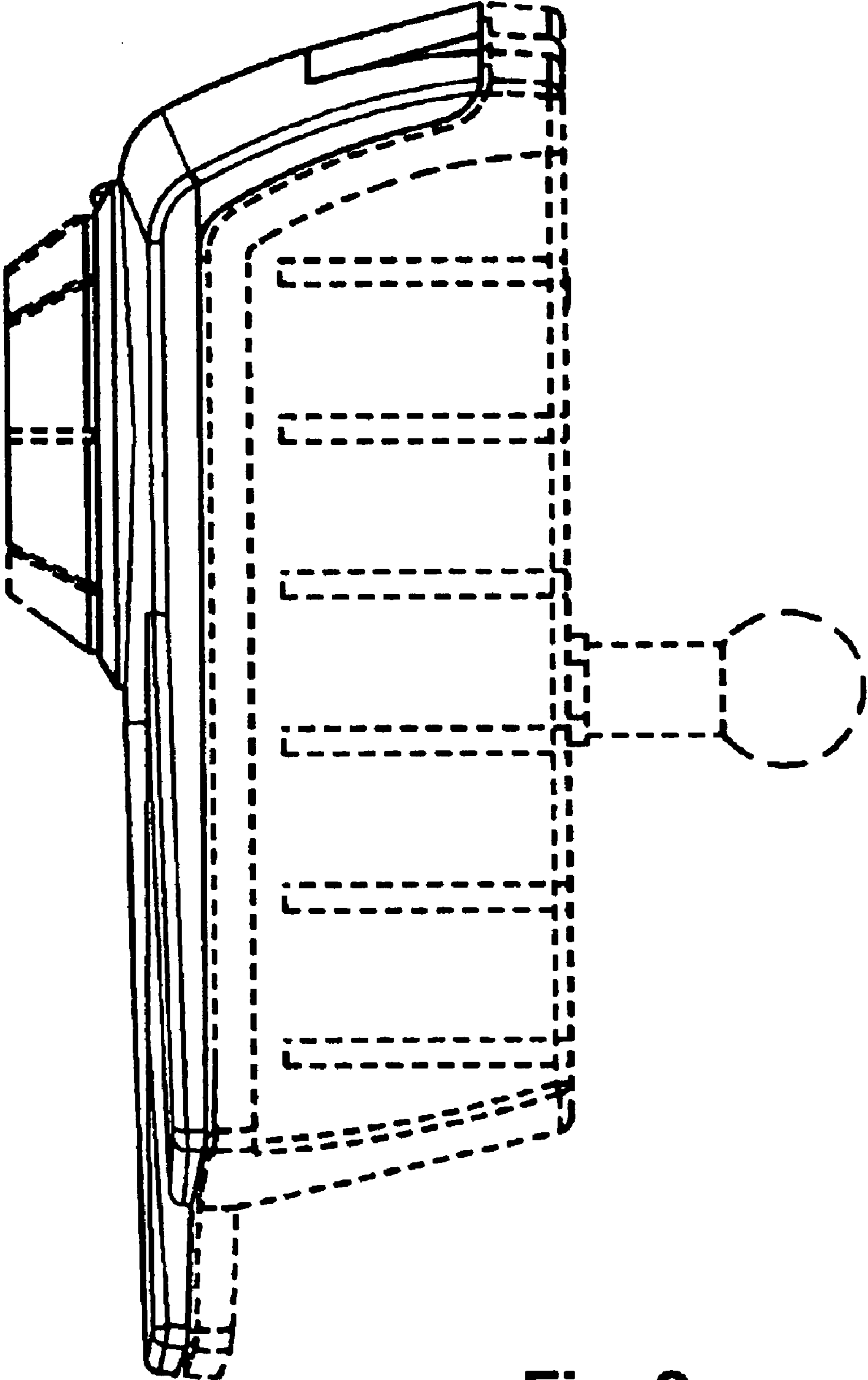


Fig. 8