



US00D518841S

(12) **United States Design Patent**
Apothéloz et al.

(10) **Patent No.:** **US D518,841 S**

(45) **Date of Patent:** **** Apr. 11, 2006**

(54) **MICROSCOPE STAND**

(75) Inventors: **Christophe Apothéloz**, Zurich (CH);
Oliver Jagemann, Goettingen (DE)

(73) Assignee: **Leica Microsystems Wetzler GmbH**
(DE)

(**) Term: **14 Years**

(21) Appl. No.: **29/218,412**

(22) Filed: **Dec. 2, 2004**

(30) **Foreign Application Priority Data**

Jul. 7, 2004 (DE) 40403928

(51) **LOC (8) Cl.** **16-06**

(52) **U.S. Cl.** **D16/131**

(58) **Field of Classification Search** D16/130,
D16/131, 134; 359/368, 391, 393, 363, 388,
359/381, 382, 383, 385, 390

See application file for complete search history.

(56) **References Cited**

U.S. PATENT DOCUMENTS

- 4,210,384 A * 7/1980 Meyer et al. 359/363
- D260,402 S * 8/1981 Hodgson D16/131
- 4,299,440 A * 11/1981 Hodgson 359/393

- D276,351 S * 11/1984 Janke et al. D16/131
- D290,129 S * 6/1987 Kahute D16/131
- D291,702 S * 9/1987 Kahute D16/131
- 5,684,627 A * 11/1997 Ganser et al. 359/388
- 5,812,311 A * 9/1998 Kragolnik 359/393
- 6,853,481 B1 * 2/2005 Sukekawa 359/368

* cited by examiner

Primary Examiner—Paula A. Greene

(74) *Attorney, Agent, or Firm*—Simpson & Simpson, PLLC

(57) **CLAIM**

The ornamental design for microscope stand, as shown and described.

DESCRIPTION

FIG. 1 is a perspective view of a microscope stand of the invention;

FIG. 2 is a front view of the microscope stand of FIG. 1;

FIG. 3 is a right side view of the microscope stand of FIG. 1;

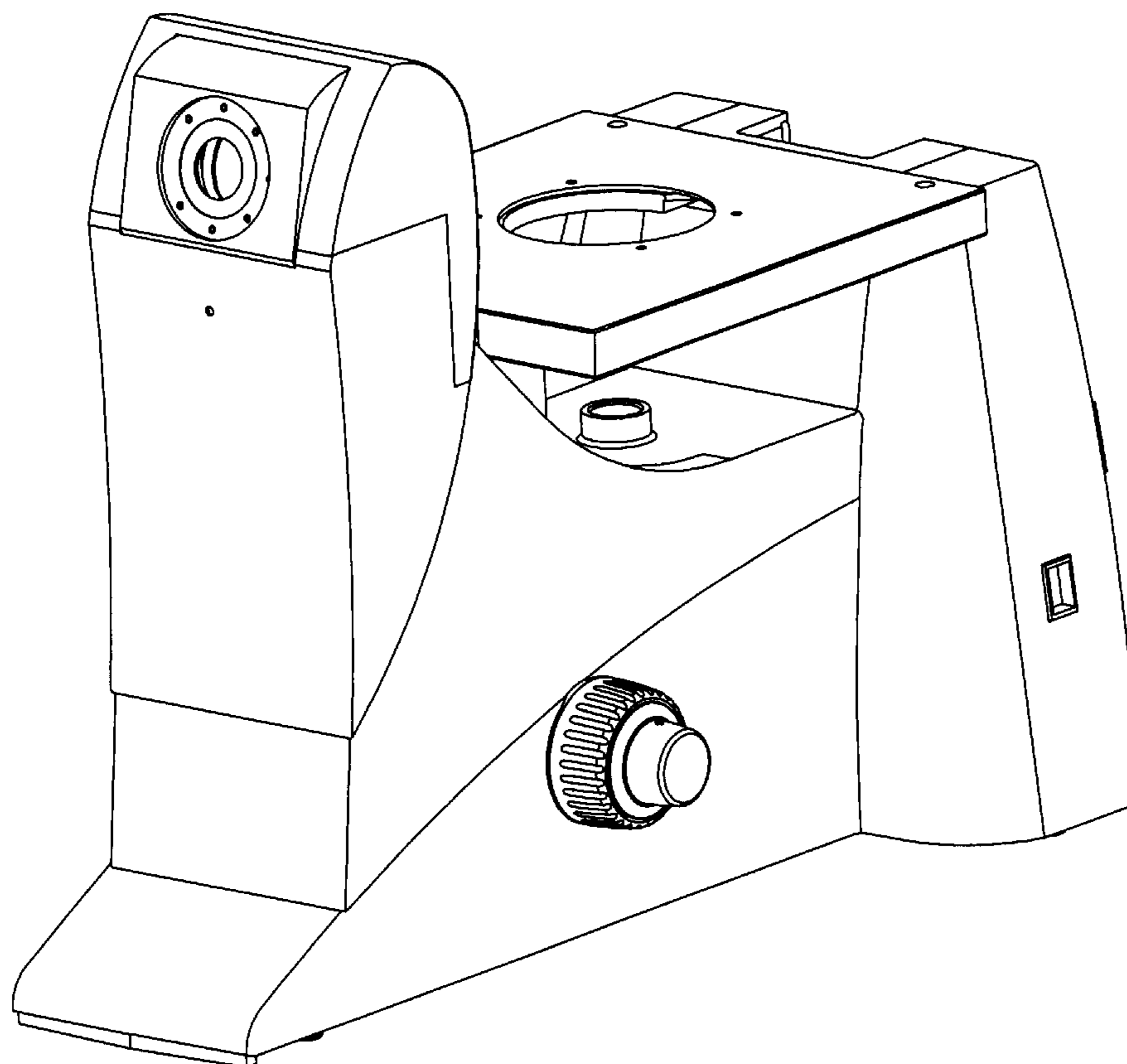
FIG. 4 is a left side view of the microscope stand of FIG. 1;

FIG. 5 is a top view of the microscope stand of FIG. 1;

FIG. 6 is a bottom view of the microscope stand of FIG. 1; and,

FIG. 7 is a rear view of the microscope stand of FIG. 1.

1 Claim, 7 Drawing Sheets



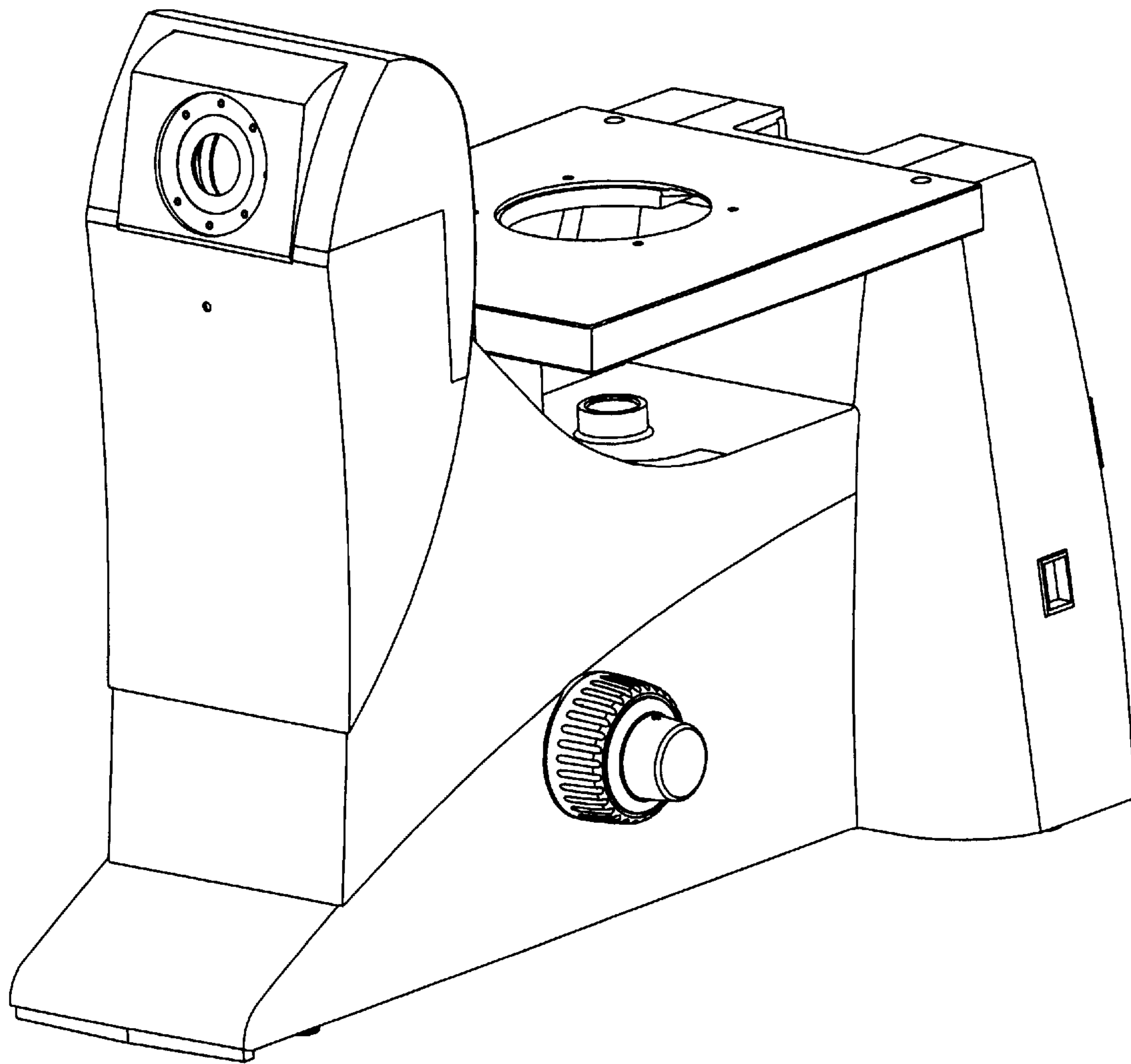


FIGURE 1

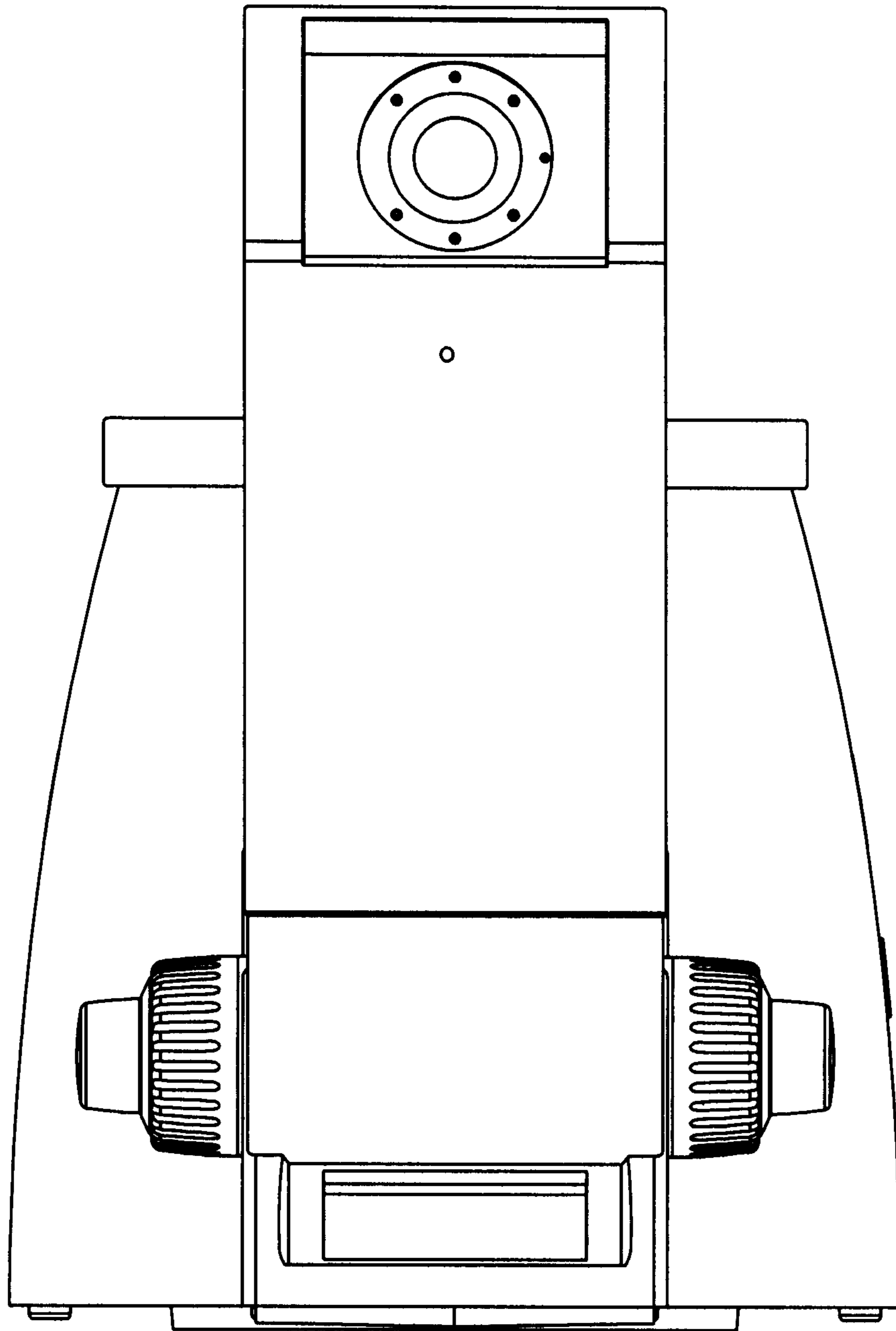


FIGURE 2

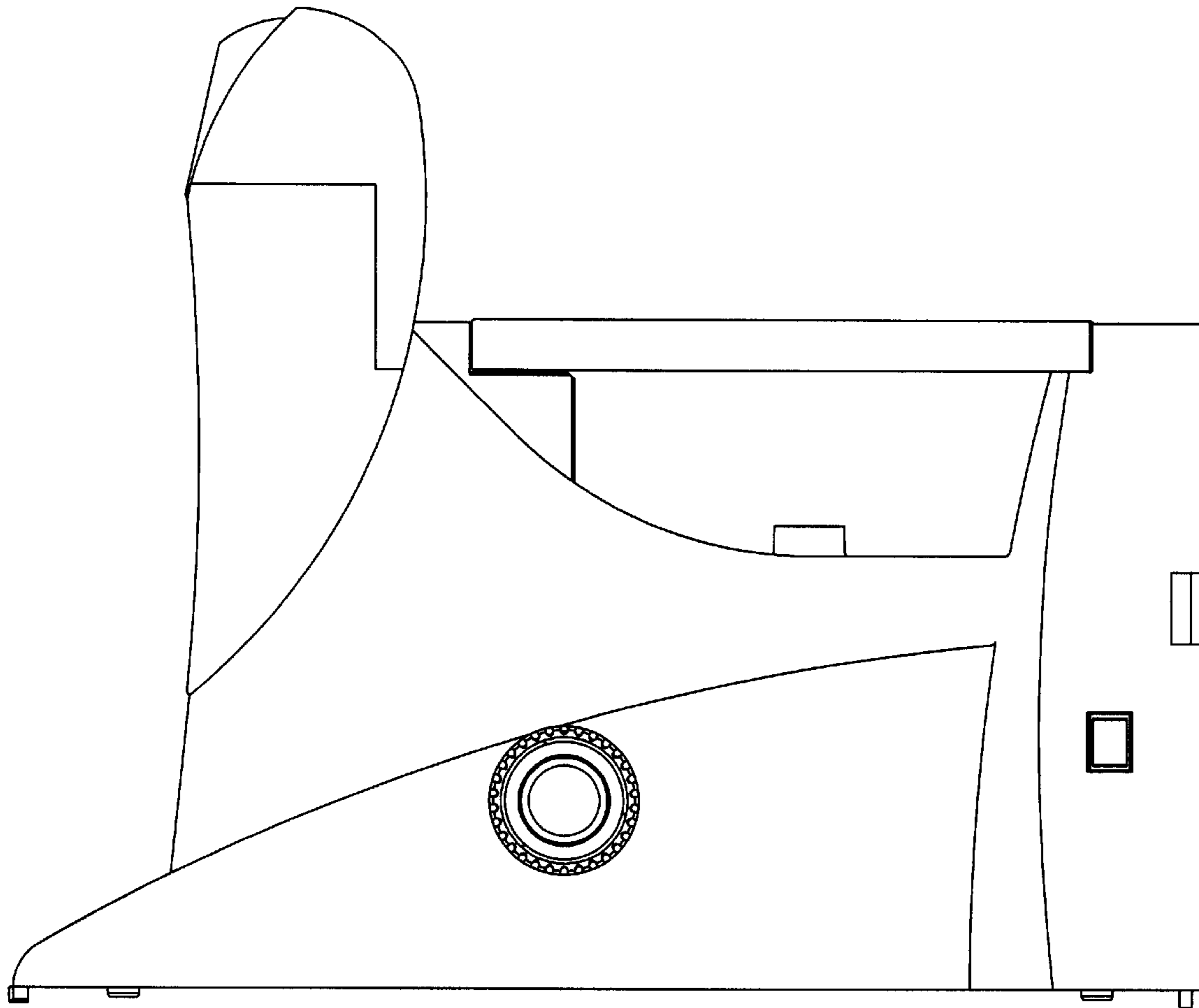


FIGURE 3

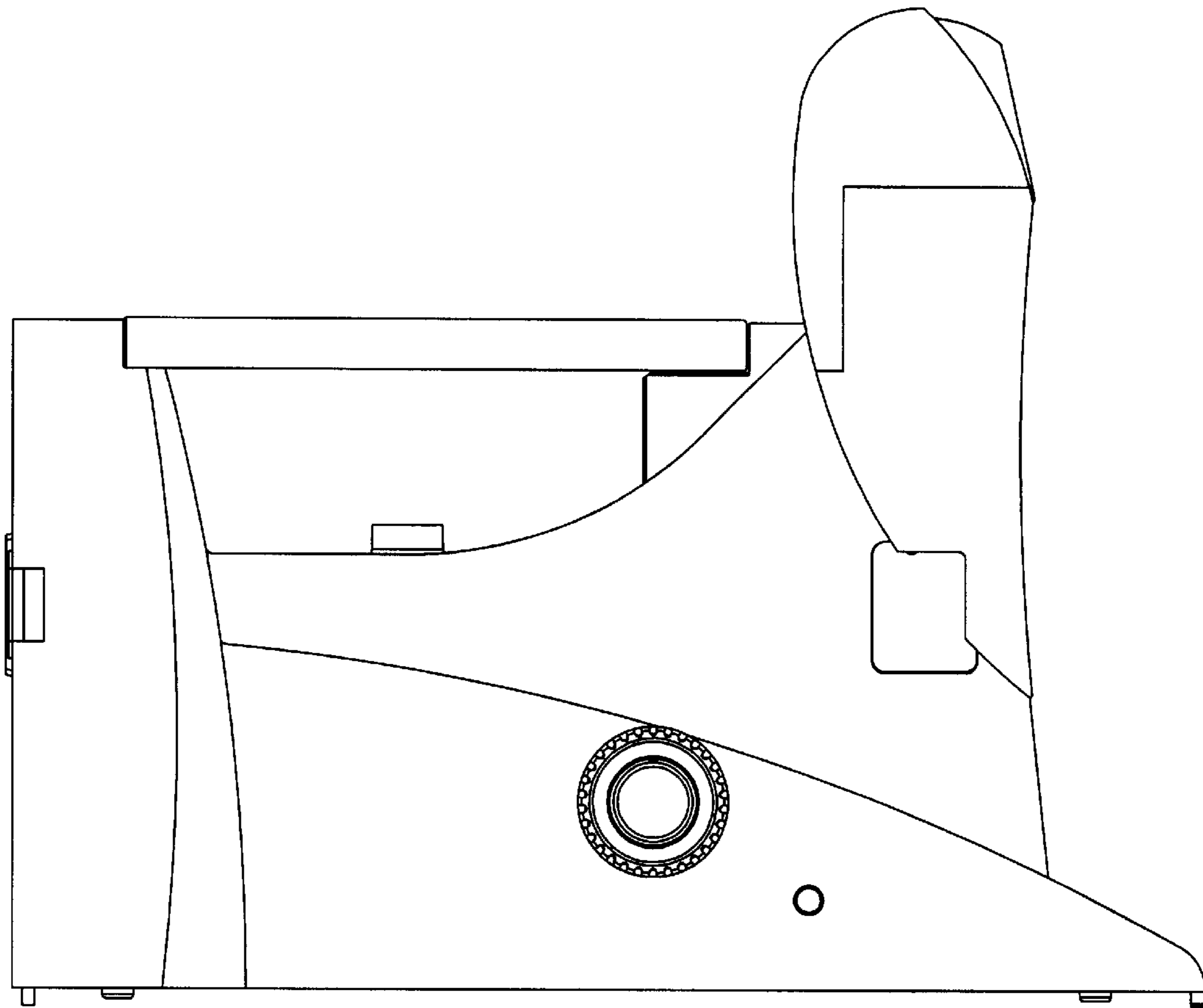


FIGURE 4

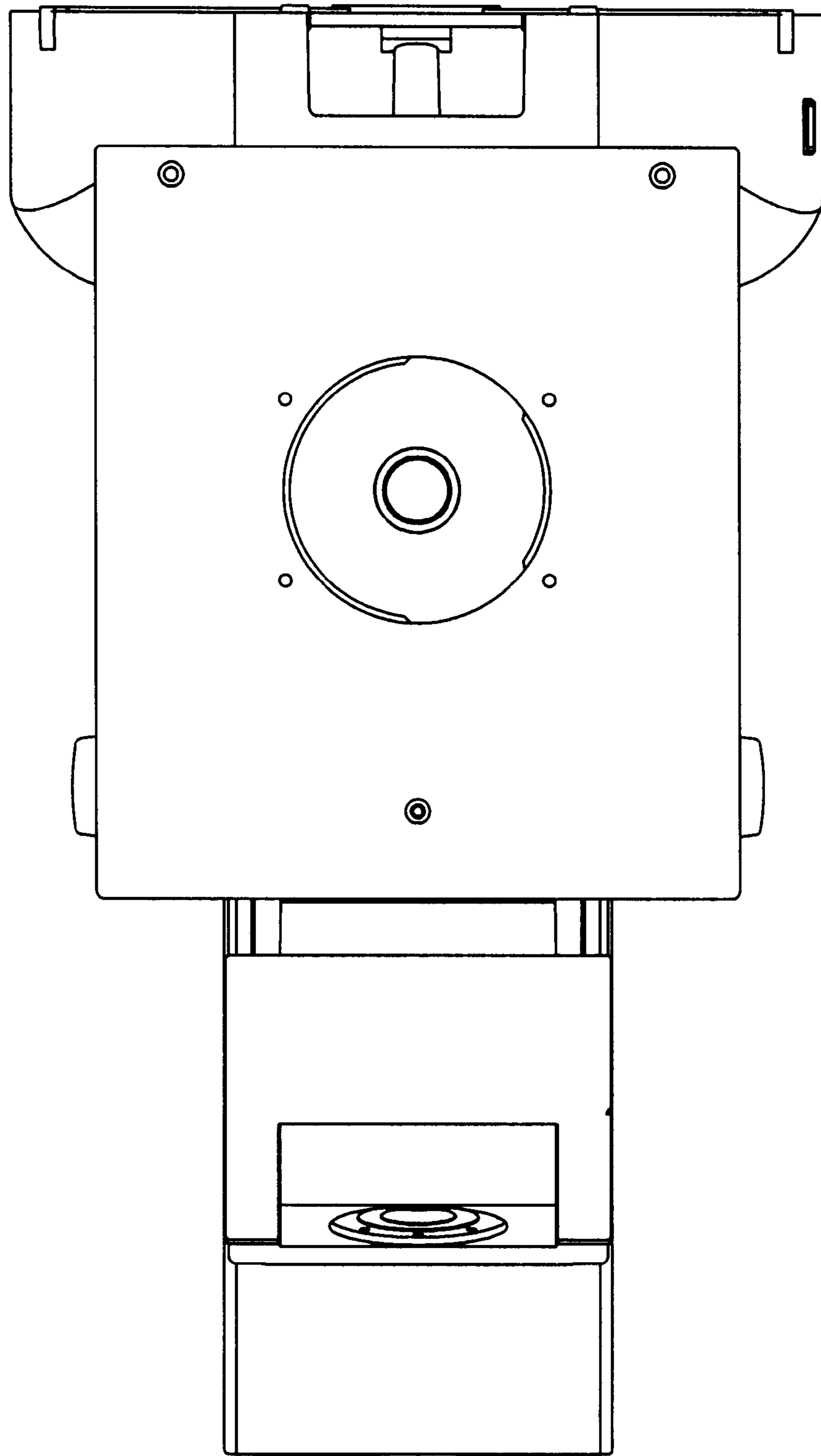


FIGURE 5

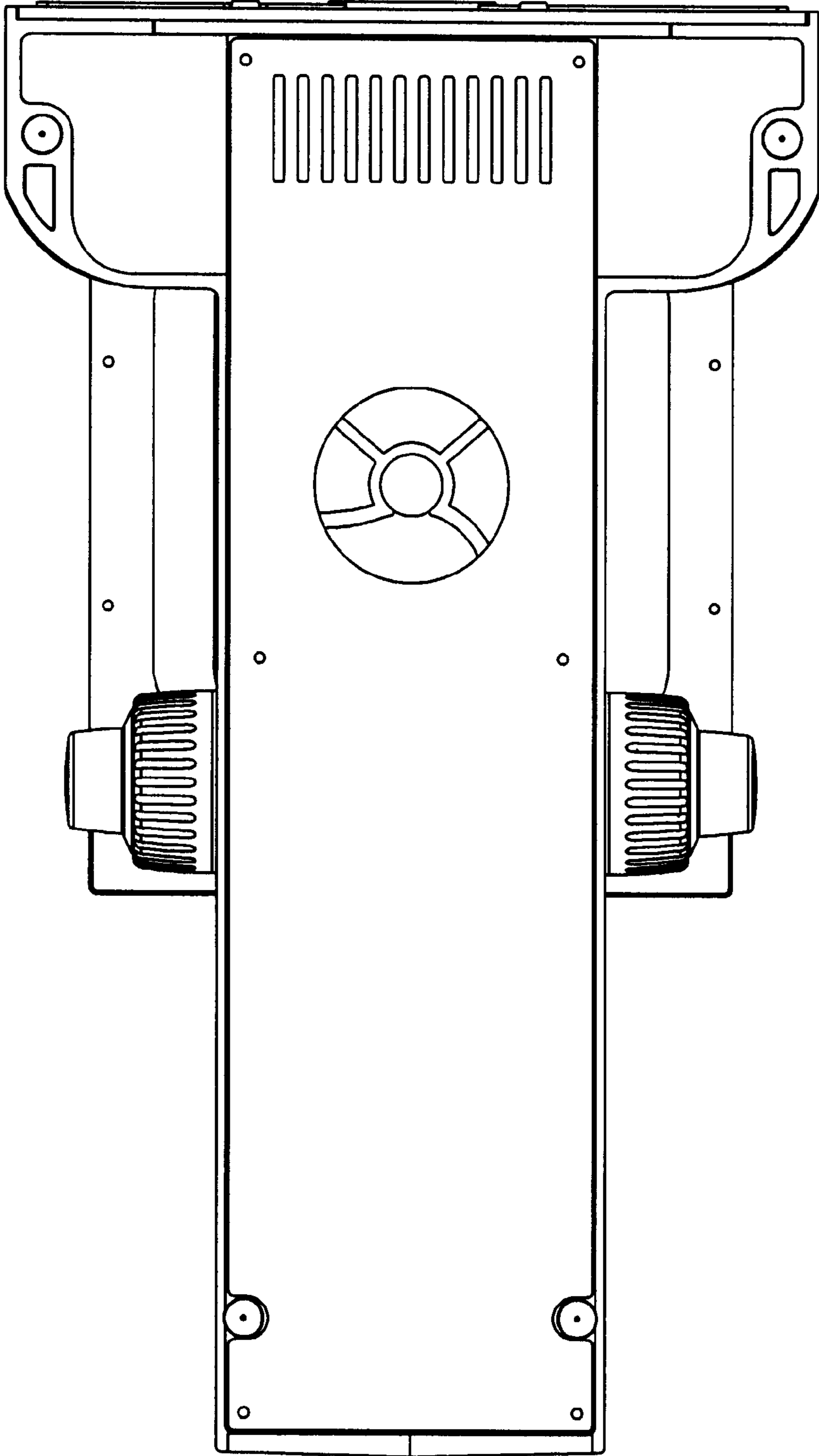


FIGURE 6

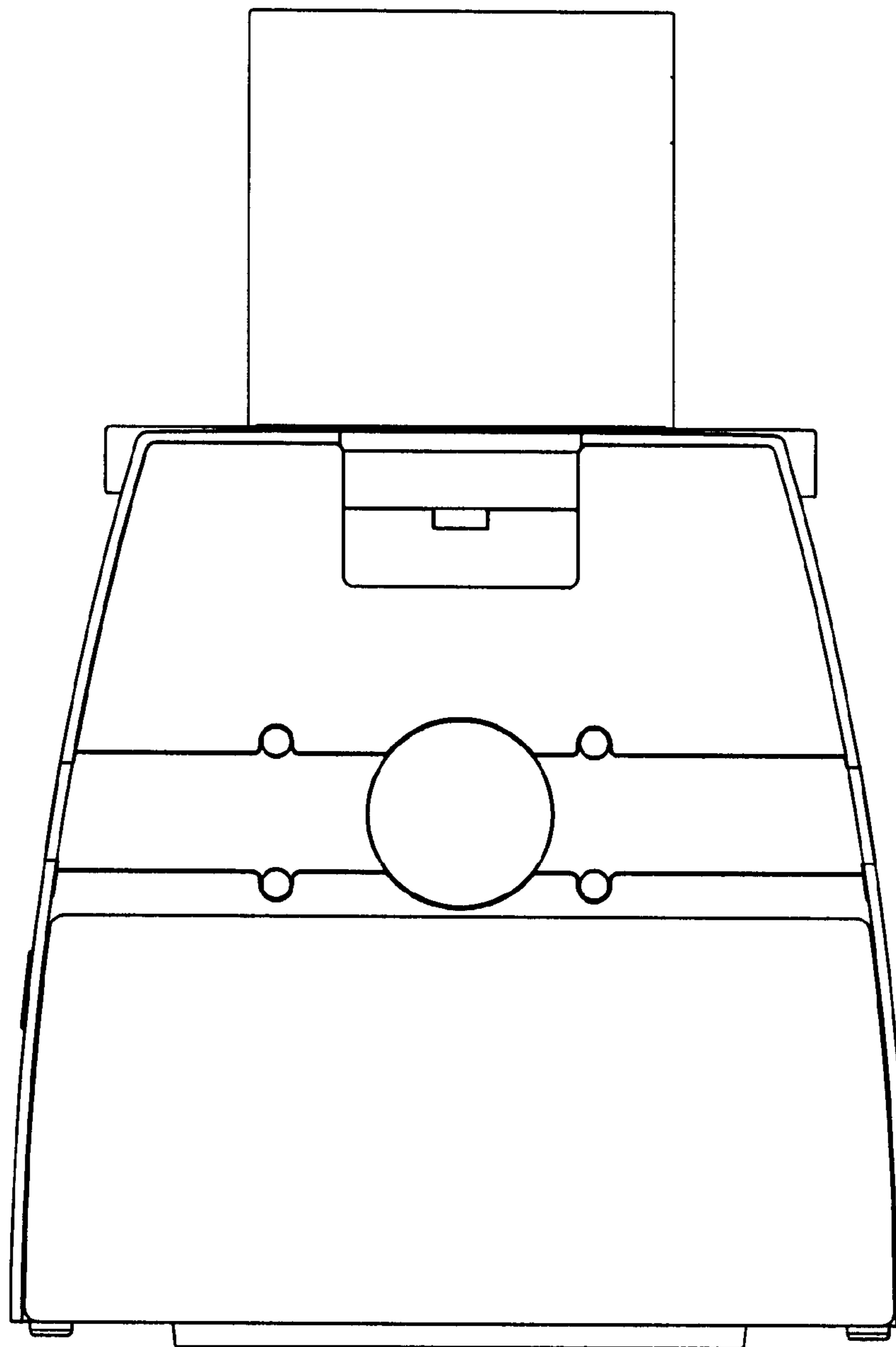


FIGURE 7

UNITED STATES PATENT AND TRADEMARK OFFICE
CERTIFICATE OF CORRECTION

PATENT NO. : Des. 518,841 S
APPLICATION NO. : 29/218412
DATED : April 11, 2006
INVENTOR(S) : Christophe Apotheloz and Oliver Jagemann

Page 1 of 9

It is certified that error appears in the above-identified patent and that said Letters Patent is hereby corrected as shown below:

The Title page, showing an illustrative figure, should be deleted and substitute therefor the attached Title page.

Delete drawing sheets 1-7 and substitute therefor the attached Amended Drawings, Figures 1-7.

Signed and Sealed this

Ninth Day of September, 2008

A handwritten signature in black ink that reads "Jon W. Dudas". The signature is written in a cursive style with a large, looped initial "J".

JON W. DUDAS

Director of the United States Patent and Trademark Office

(1) **United States Design Patent**
Apothéoz et al.

(10) Patent No.: **US D518,841 S**
(45) Date of Patent: **** Apr. 11, 2006**

(53) **MICROSCOPE STAND**

(75) Inventors: **Christophe Apothéoz, Zurich (CH);
Oliver Jugemann, Göttingen (DE)**

(73) Assignee: **Leica Microsystems Wetzlar GmbH
(DE)**

(*) Term: **14 Years**

(21) Appl. No.: **29/218,412**

(22) Filed: **Dec. 2, 2004**

(30) **Foreign Application Priority Data**

Jul. 7, 2004 (DE) 00403928

(51) **LOC (8) Cl.** **16-06**

(52) **U.S. Cl.** **D16/131**

(58) **Field of Classification Search** **D16/130,
D16/131, 134; 359/368, 391, 393, 363, 388,
359/381, 382, 383, 385, 390**

See application file for complete search history.

(56) **References Cited**

U.S. PATENT DOCUMENTS

4,210,384 A * 7/1980 Meyer et al. 359/363
D260,422 S * 8/1981 Hodgson D16/131
4,259,440 A * 11/1981 Hodgson 359/393

D236,351 S * 11/1984 Janke et al. D16/131
D290,129 S * 6/1987 Kahata D16/131
D291,707 S * 9/1987 Kahata D16/131
5,684,637 A * 11/1997 Ganser et al. 359/388
5,812,311 A * 9/1998 Kragolnik 359/393
6,853,481 B1 * 2/2005 Sudekawa 359/368

* cited by examiner

Primary Examiner—Paula A. Greene

(74) *Attorney, Agent, or Firm—Simpson & Simpson, PLLC*

(57) **CLAIM**

The ornamental design for microscope stand, as shown and described.

DESCRIPTION

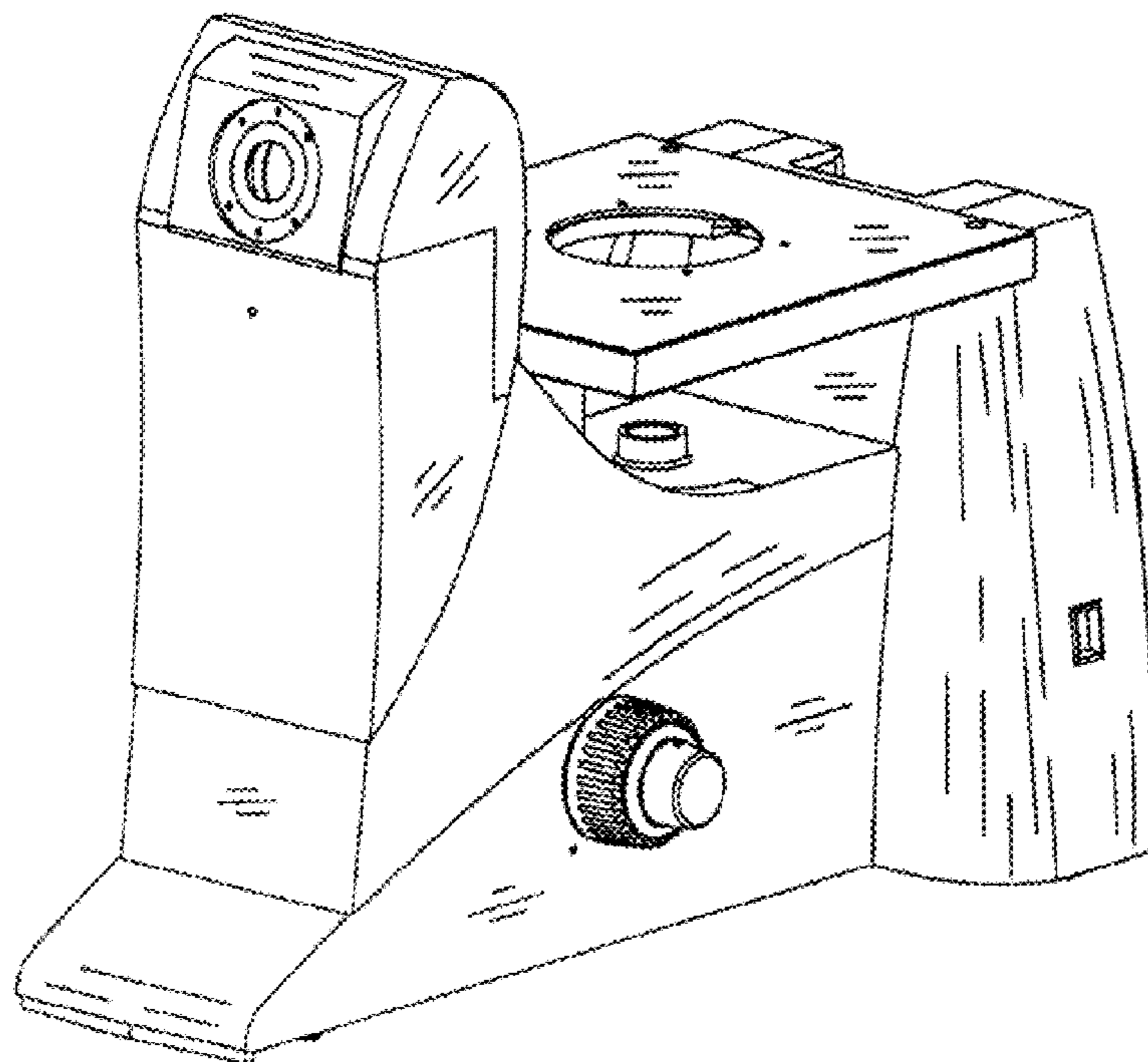
FIG. 1 is a perspective view of a microscope stand of the invention;

FIG. 2 is a front view of the microscope stand of FIG. 1; FIG. 3 is a right side view of the microscope stand of FIG. 1;

FIG. 4 is a left side view of the microscope stand of FIG. 1; FIG. 5 is a top view of the microscope stand of FIG. 1; FIG. 6 is a bottom view of the microscope stand of FIG. 1; and,

FIG. 7 is a rear view of the microscope stand of FIG. 1.

1 Claim, 7 Drawing Sheets



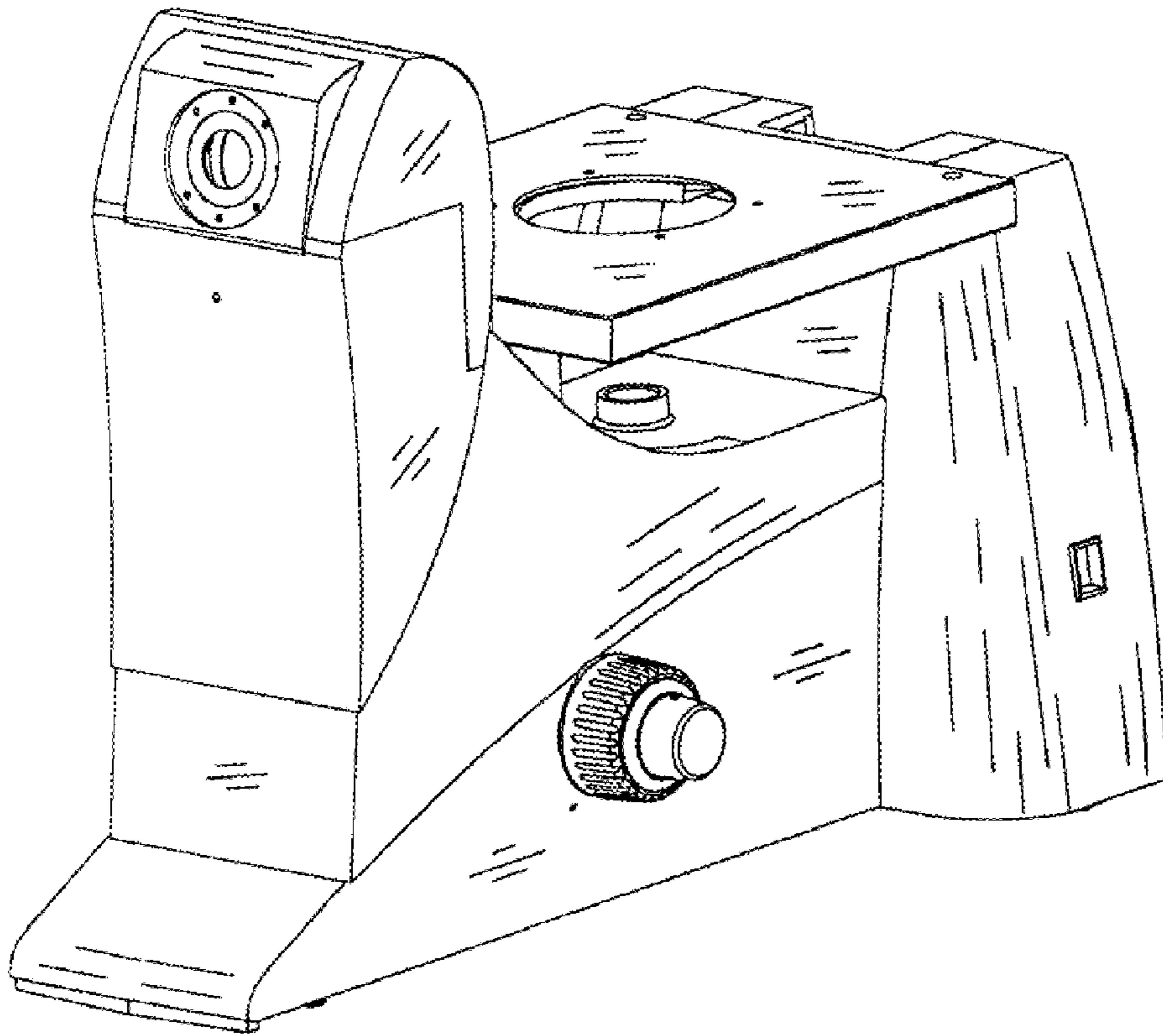


FIGURE 1

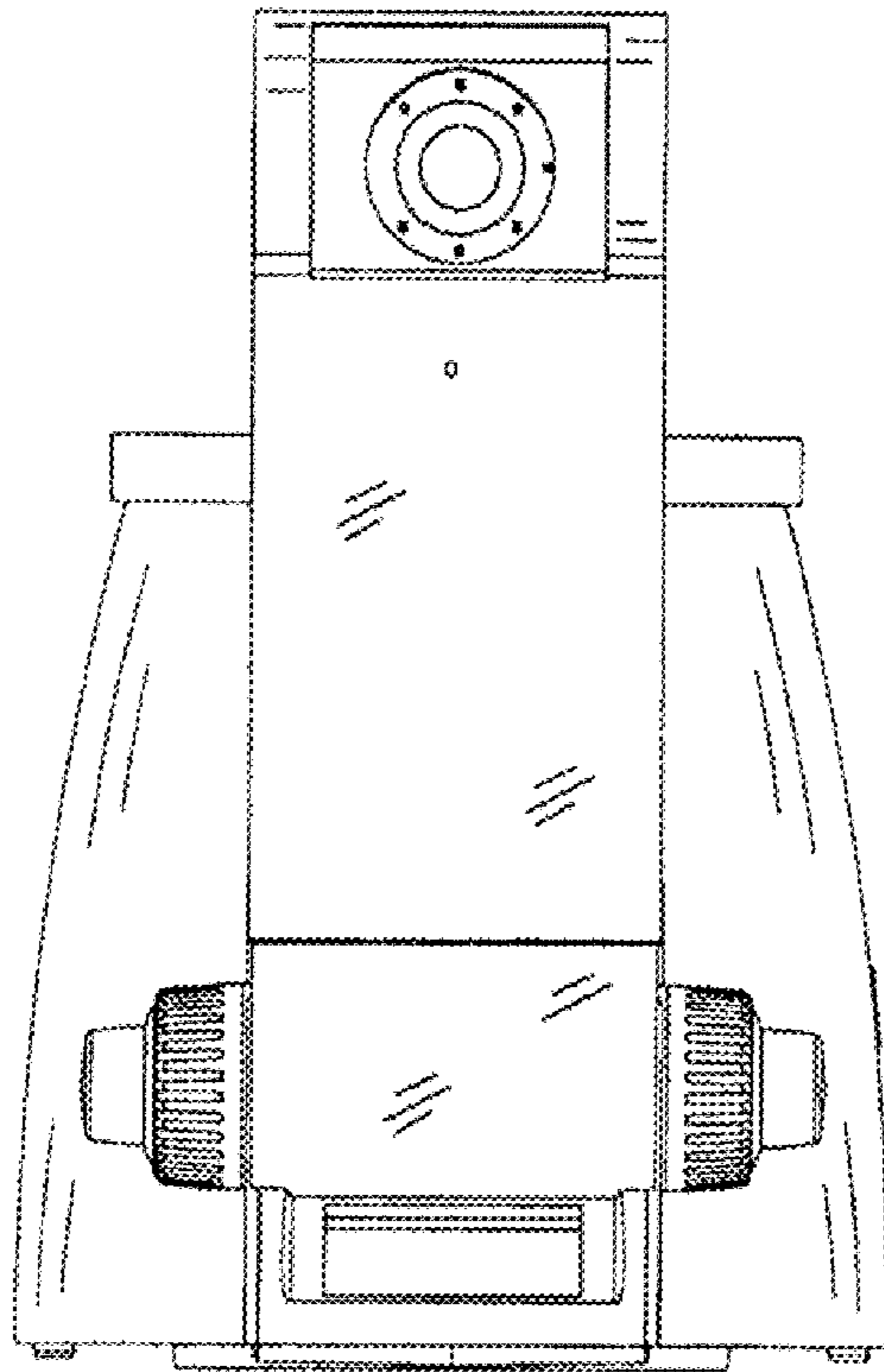


FIGURE 2

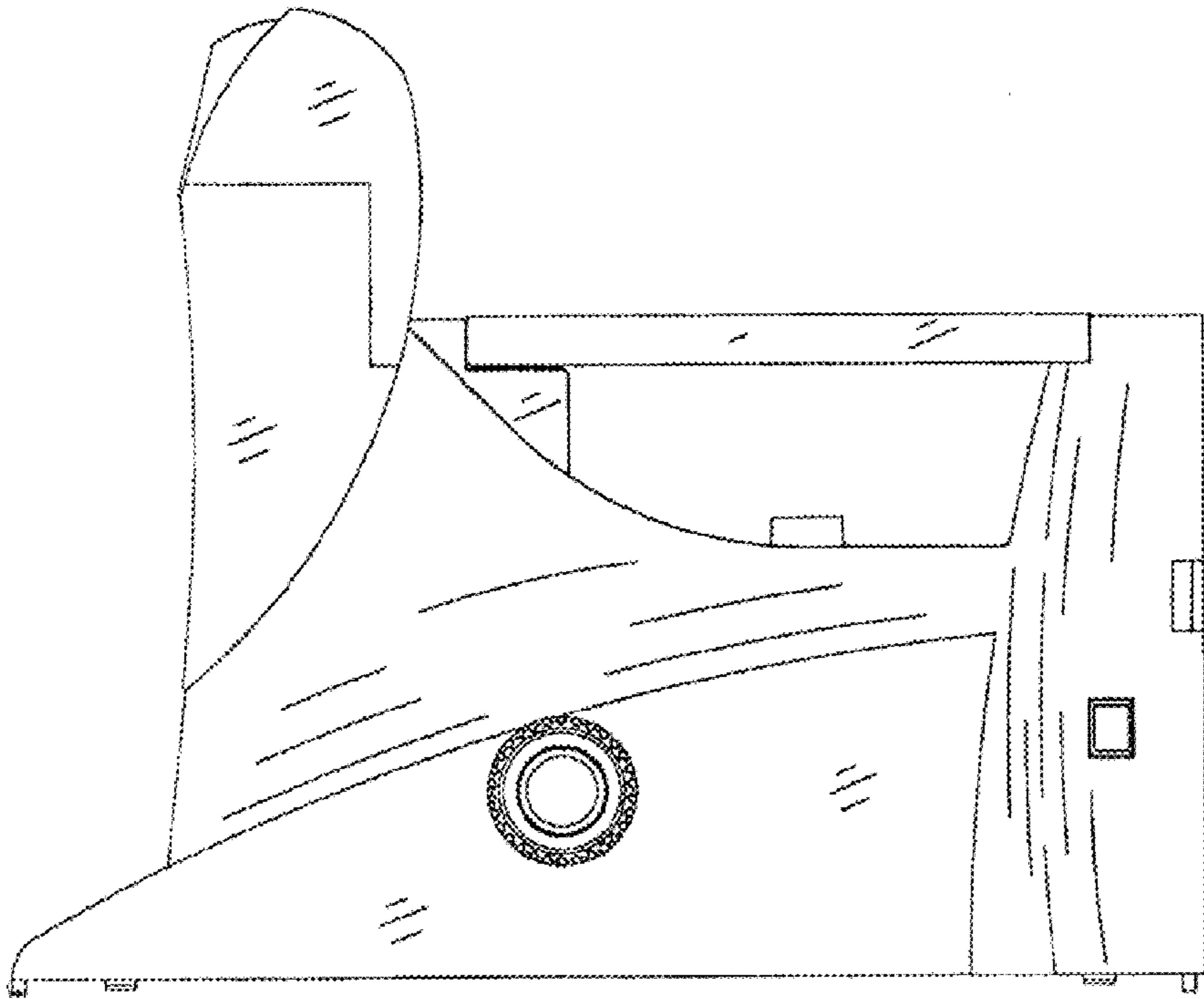


FIGURE 3

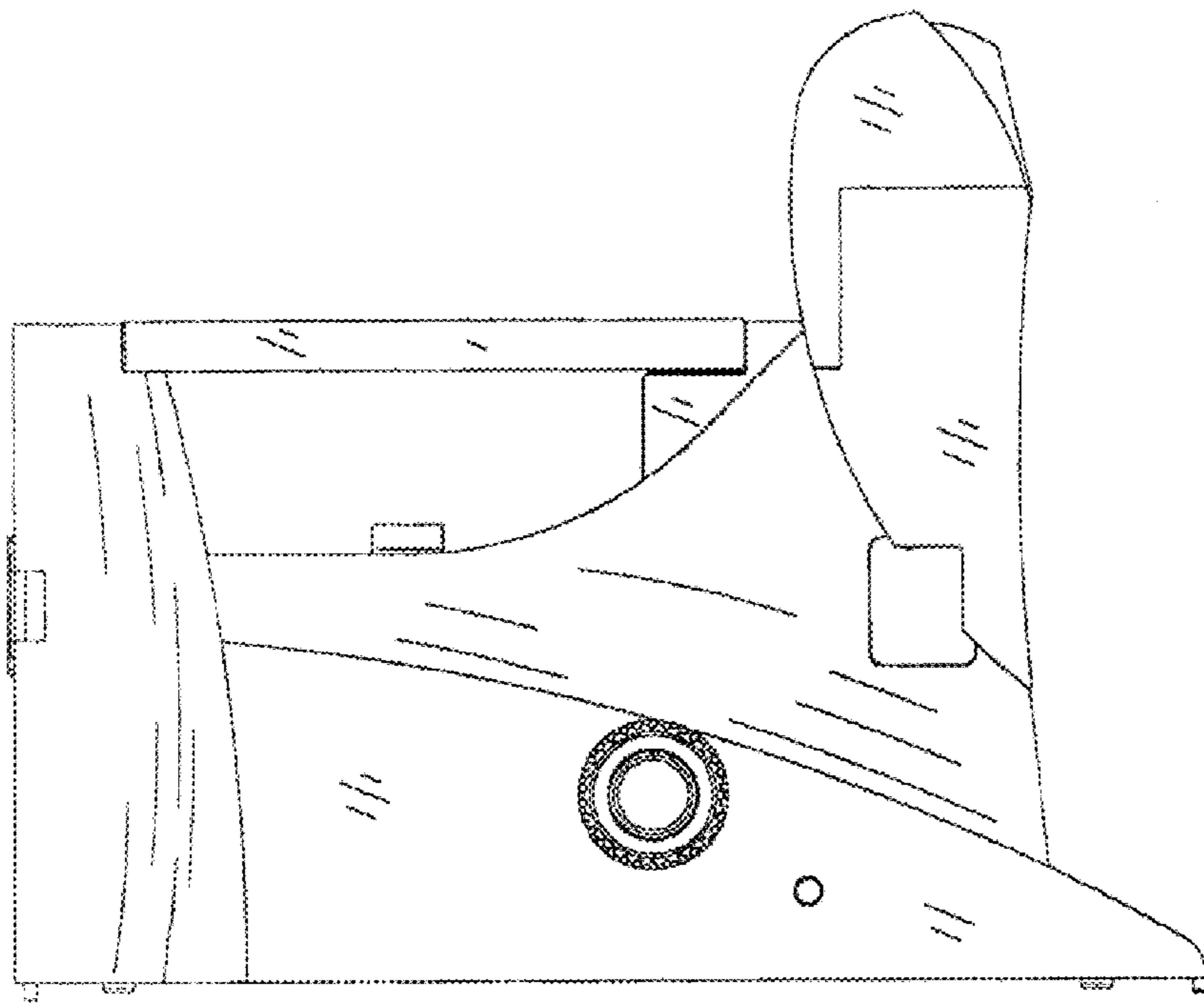


FIGURE 4

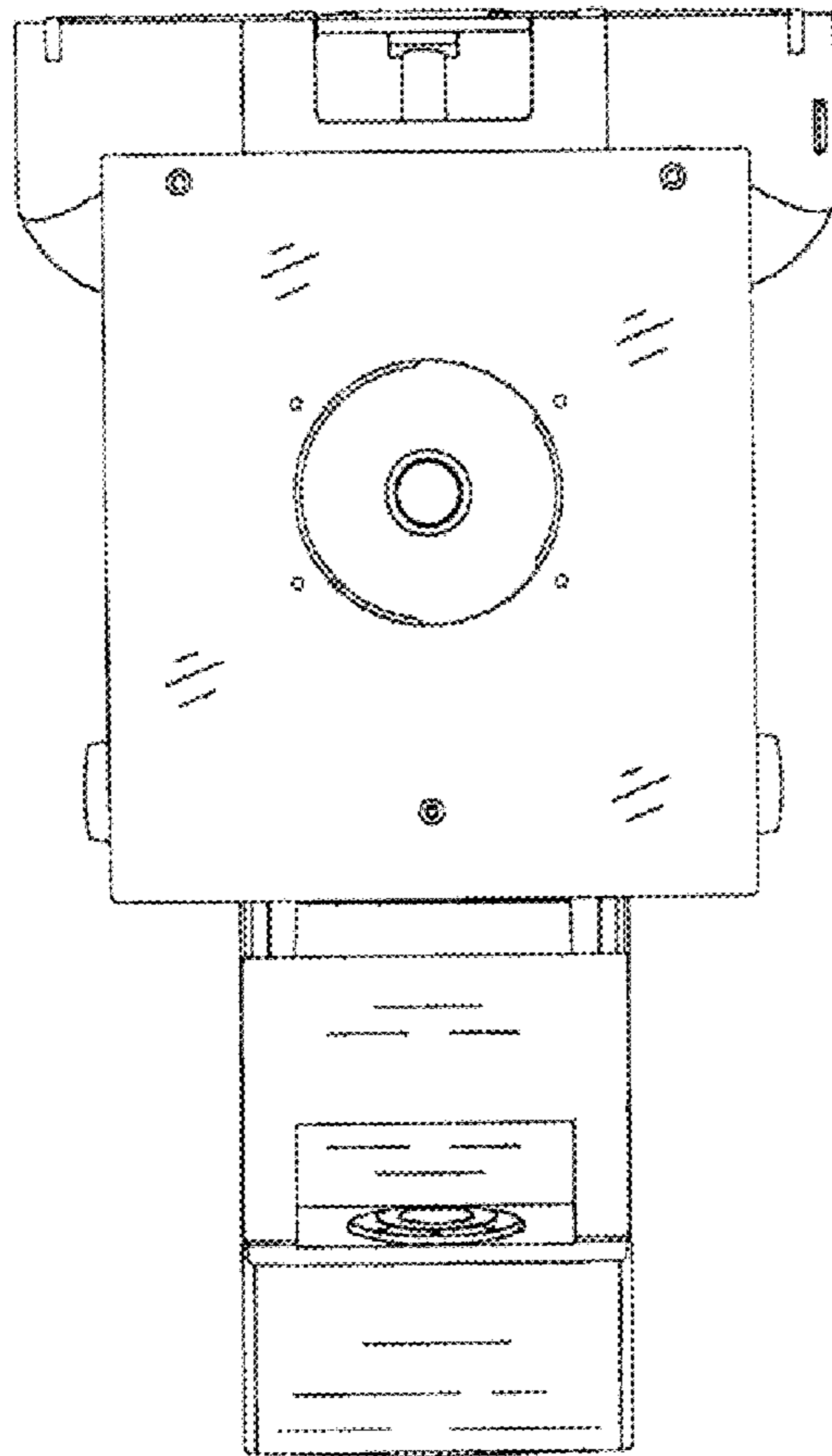


FIGURE 5

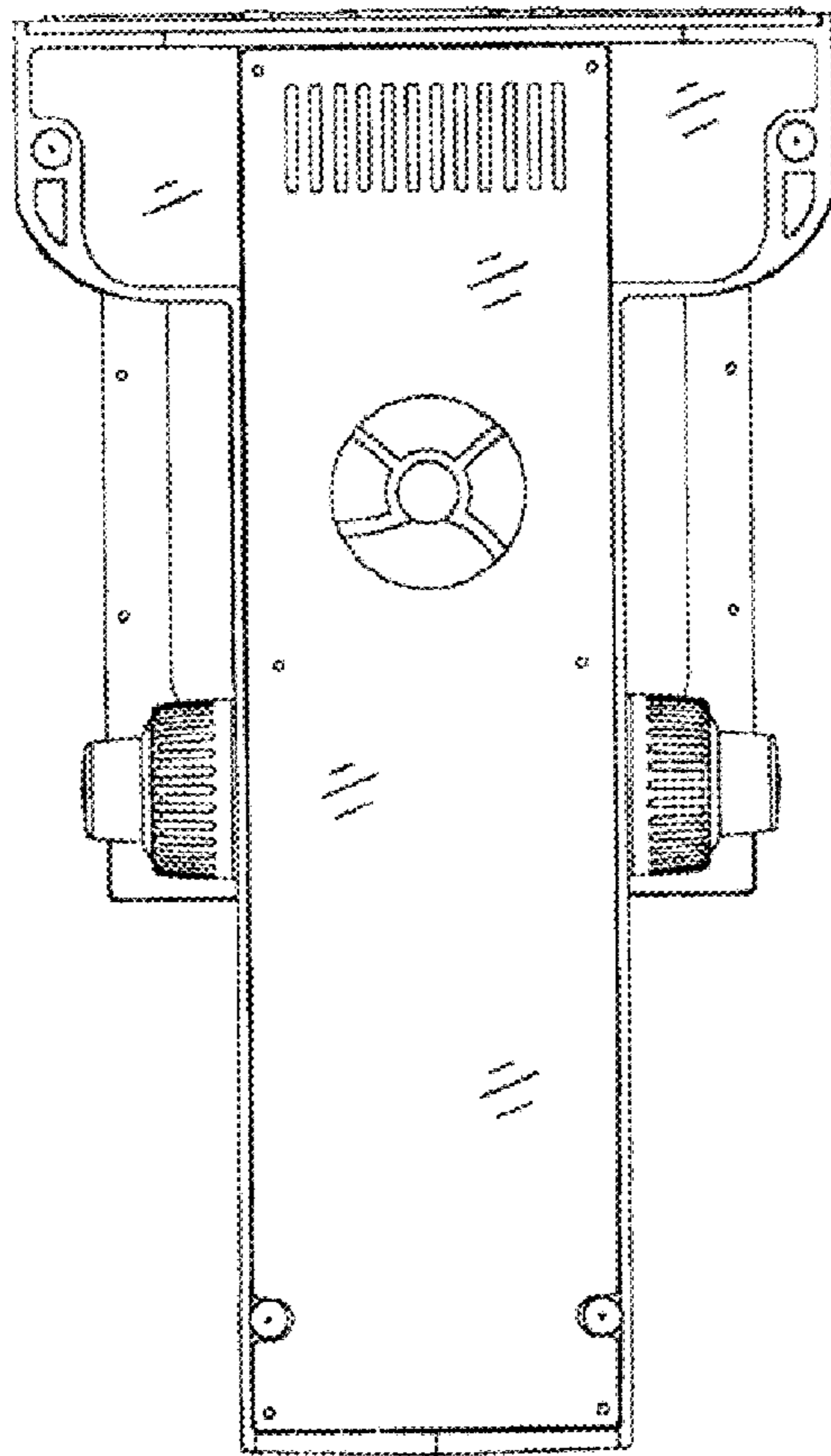


FIGURE 6

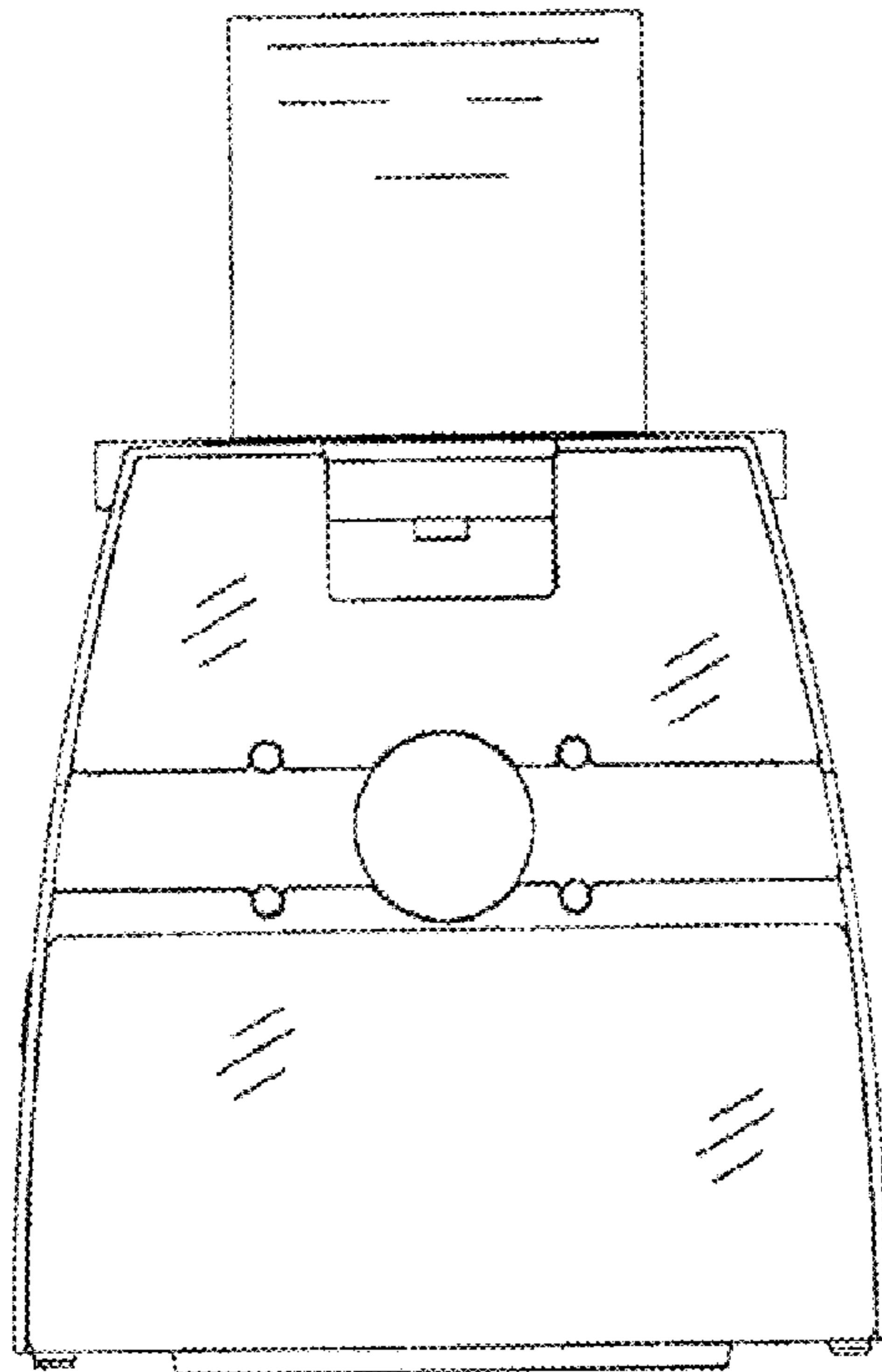


FIGURE 7