



US00D518840S

(12) **United States Design Patent**
Copeland et al.

(10) **Patent No.:** **US D518,840 S**

(45) **Date of Patent:** **** Apr. 11, 2006**

(54) **MICROSCOPE WITH DISPLAY SCREEN**

(75) Inventors: **David John Copeland**, Milton, MA (US); **Aidan John Petrie**, Jamestown, RI (US)

(73) Assignee: **Swift Instruments, Inc.**, San Jose, CA (US)

(**) Term: **14 Years**

(21) Appl. No.: **29/202,630**

(22) Filed: **Mar. 31, 2004**

(51) **LOC (8) Cl.** **16-06**

(52) **U.S. Cl.** **D16/131**

(58) **Field of Classification Search** D16/130, D16/131, 225, 232; 353/39; 356/372.2; 359/369, 359/372, 375, 376, 377, 381, 382, 385, 390
See application file for complete search history.

(56) **References Cited**

U.S. PATENT DOCUMENTS

2,170,967	A	*	8/1939	Otto et al.	353/39
3,186,296	A	*	6/1965	Erban	356/237.2
3,205,770	A	*	9/1965	Koch et al.	353/39
4,444,475	A	*	4/1984	Yamada	359/369
D359,059	S	*	6/1995	Omi	D16/131
D436,972	S	*	1/2001	Tai et al.	D16/131
6,243,197	B1		6/2001	Schalz		
6,452,625	B1		9/2002	Kapitza		
6,473,230	B1	*	10/2002	Hedrich	359/385
6,714,348	B1		3/2004	Dunn		
6,741,391	B1	*	5/2004	Ishihara et al.	359/372
2001/0045506	A1		11/2001	Masuyama		
2002/0075563	A1		6/2002	Aizaki		

OTHER PUBLICATIONS

“Specification for DG-2, Digital Field Microscope”, <http://www.scalar.co.jp/e-dg-2.htm>, 3 pp.

“Nikon MicroscopyU: Digital Sight Camera System-Hardware”, <http://www.microscopyu.com/articles/digital/digitalsight/hardware.html>, 5 pp.

Microscope-Depot.com on-line catalog for cordless microscope “L-series”, <http://www.microscope-depot.com/seriesL.asp>, 3 pp.

Omni Optical.com on-line product information sheet for Display Screen Microscope, <http://fwww.omni-optical.com/micro/sm215.htm>.

Omni Optical.com on-line product information sheet for Konus microscope sets, <http://www.omni-optical.com/micro/sm210.htm>, 2 pp.

Howard Electronic Instruments Inc. on-line product information sheet for Scienscope microscope package, <http://www.howardelectronics.com/SZ-PK7.html>.

Ken-a-vision on-line product information sheet for cordless lighted microscopes, <http://www.ken-a-vision.com/cordlescope.htm>, 4 pp.

Fisher Scientific on-line catalog for Fisher Micromaster* Digital and Video Microscopes, <https://www1.fishersci.com/Coupon?gid=2436392&cid=1328>, 4 pp.

Product information sheet for Fisher Micromaster* Digital and Video Microscopes, Fisher Scientific catalog, p. 913.

Product information sheet for Swift M2251C Cordless Compound Microscope, Swift Instruments, Inc., Scientific Instrument Division, San Jose, CA.

Product information sheet for Swift M2250 Series Intermediate Compound Microscopes, Swift Instruments, Inc., Scientific Instrument Division, San Jose, CA.

MicroscopesRus on-line product information sheet for compound microscope <http://www.microscopesrus.com/microscopebasics.htm>, 2 pp.

* cited by examiner

Primary Examiner—Paula A. Greene

(74) *Attorney, Agent, or Firm*—Fish & Richardson P.C.

(57) **CLAIM**

The ornamental design for a microscope with display screen, as shown and described.

DESCRIPTION

FIG. 1 is a perspective view of a microscope with display screen from the front.

FIG. 2 is a perspective view of a microscope with display screen from the rear.

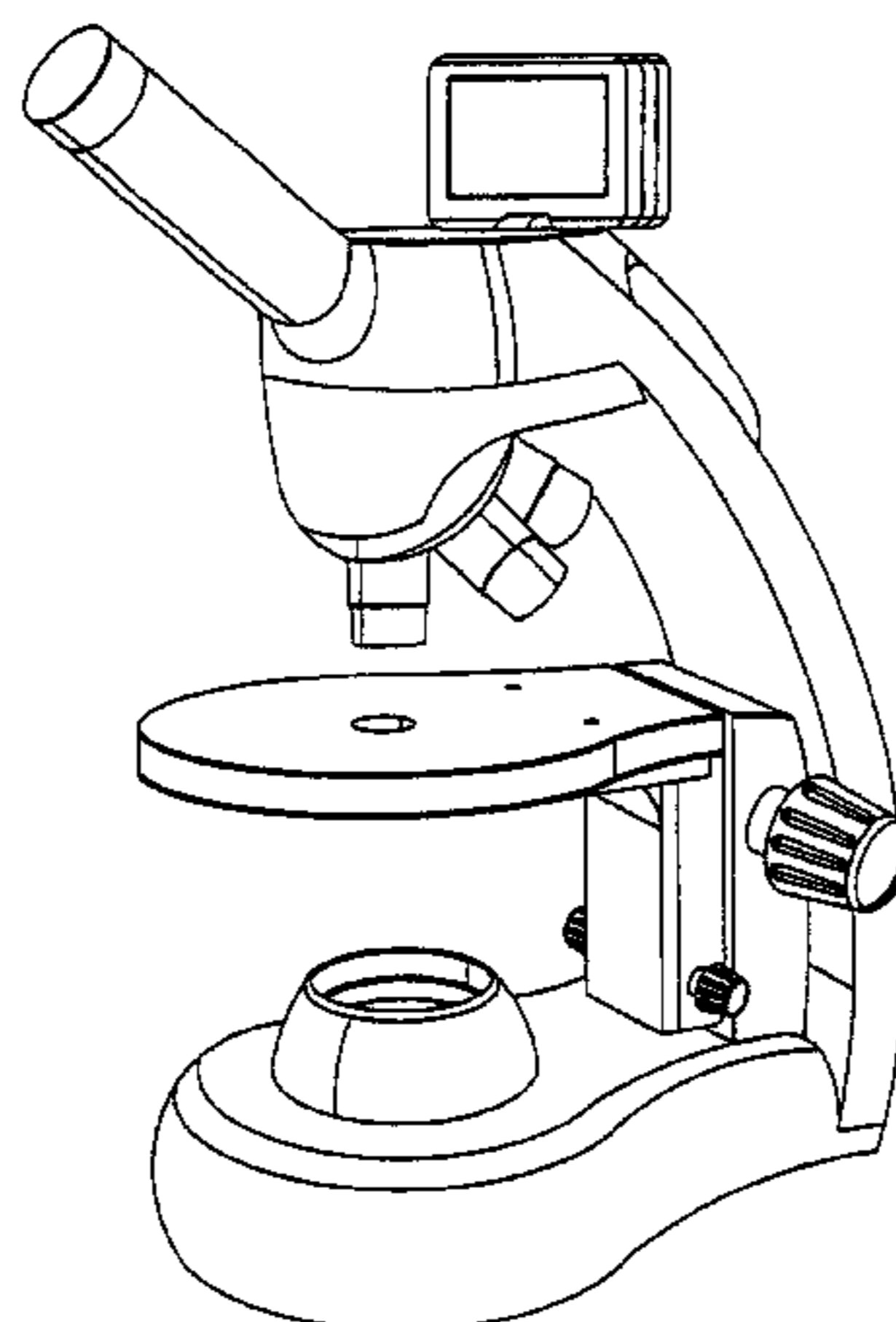
FIG. 3 is a front view thereof.

FIG. 4 is a rear view thereof.

FIG. 5 is a side view thereof; and,

FIG. 6 is a top view thereof.

1 Claim, 6 Drawing Sheets



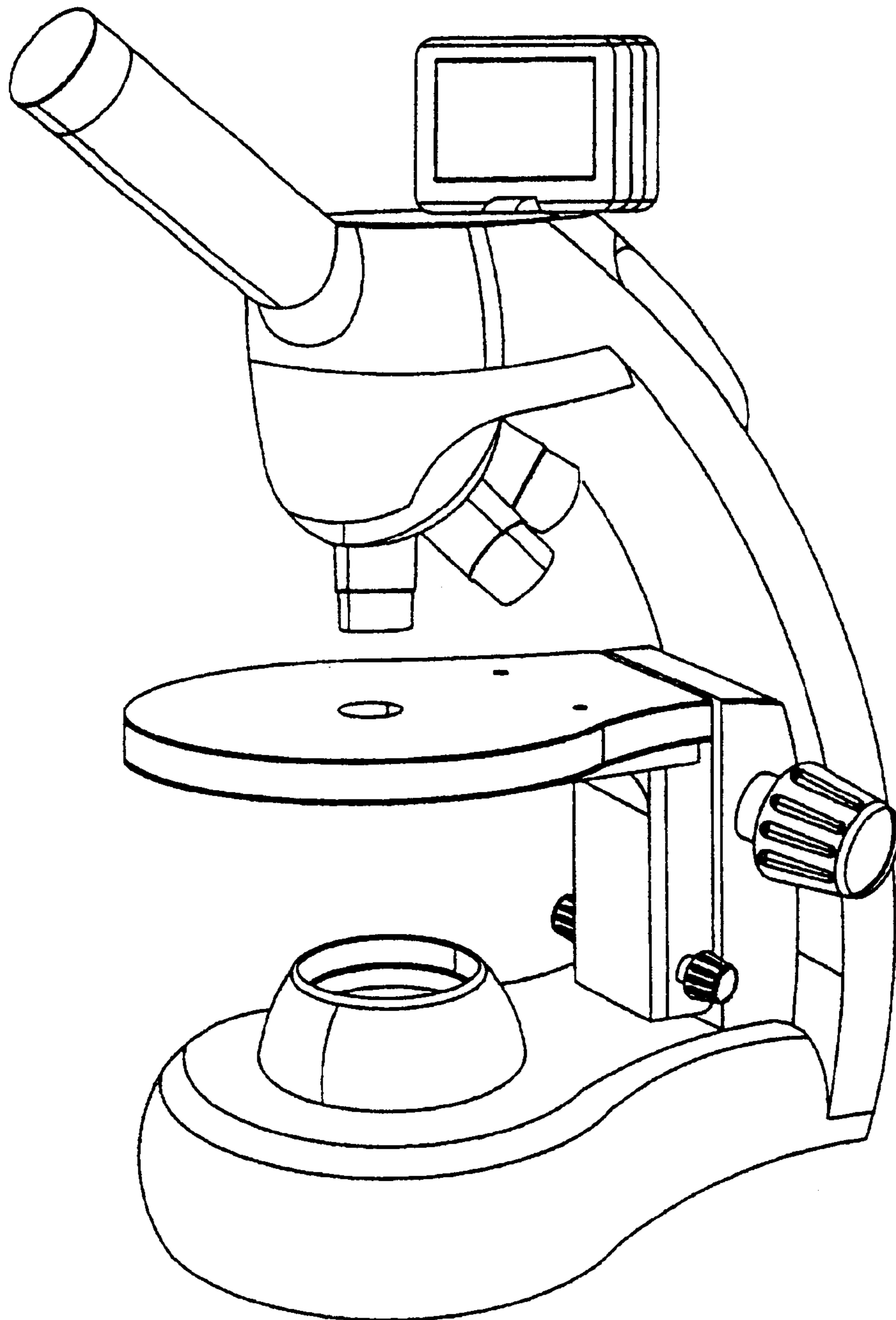


FIG. 1

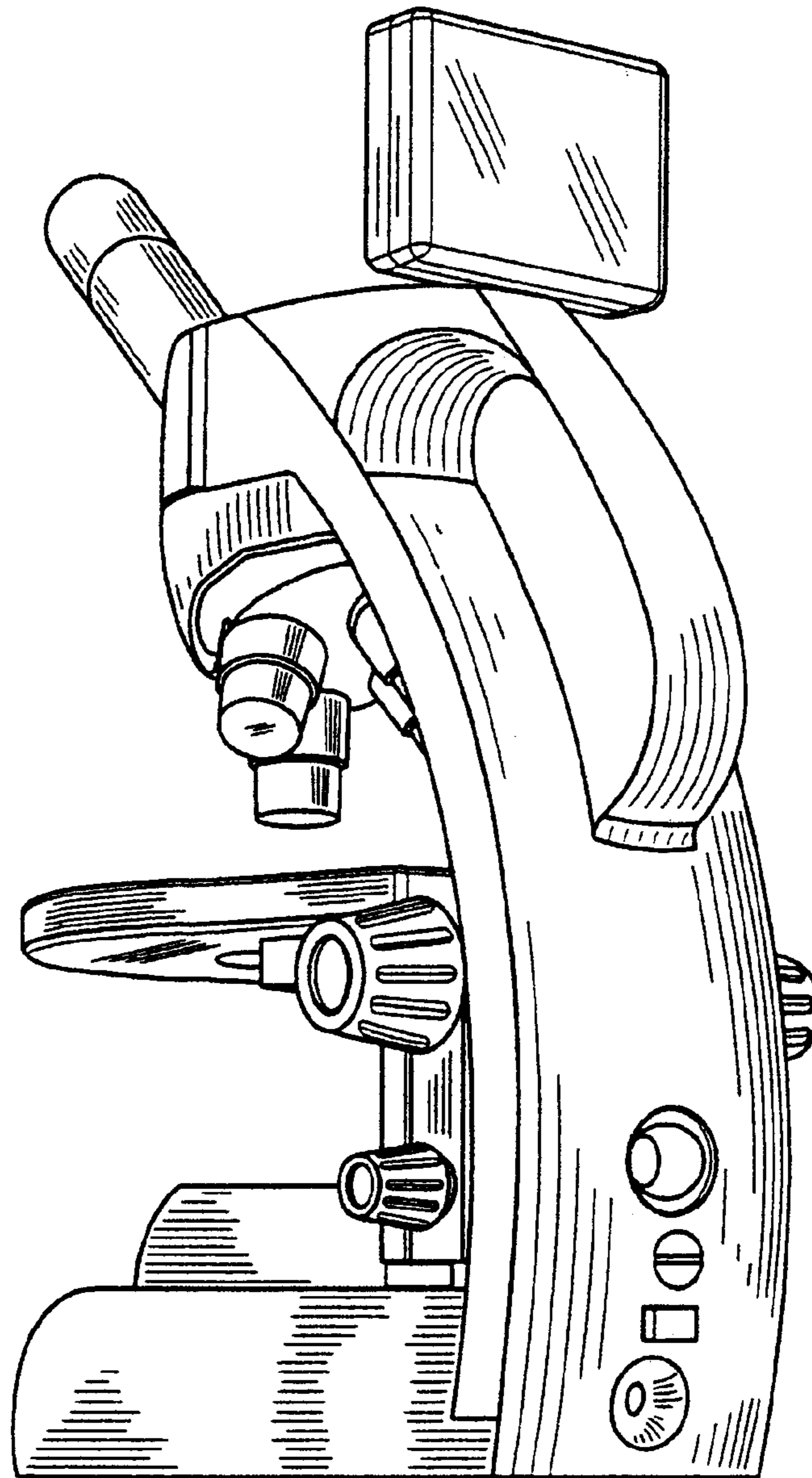


FIG. 2

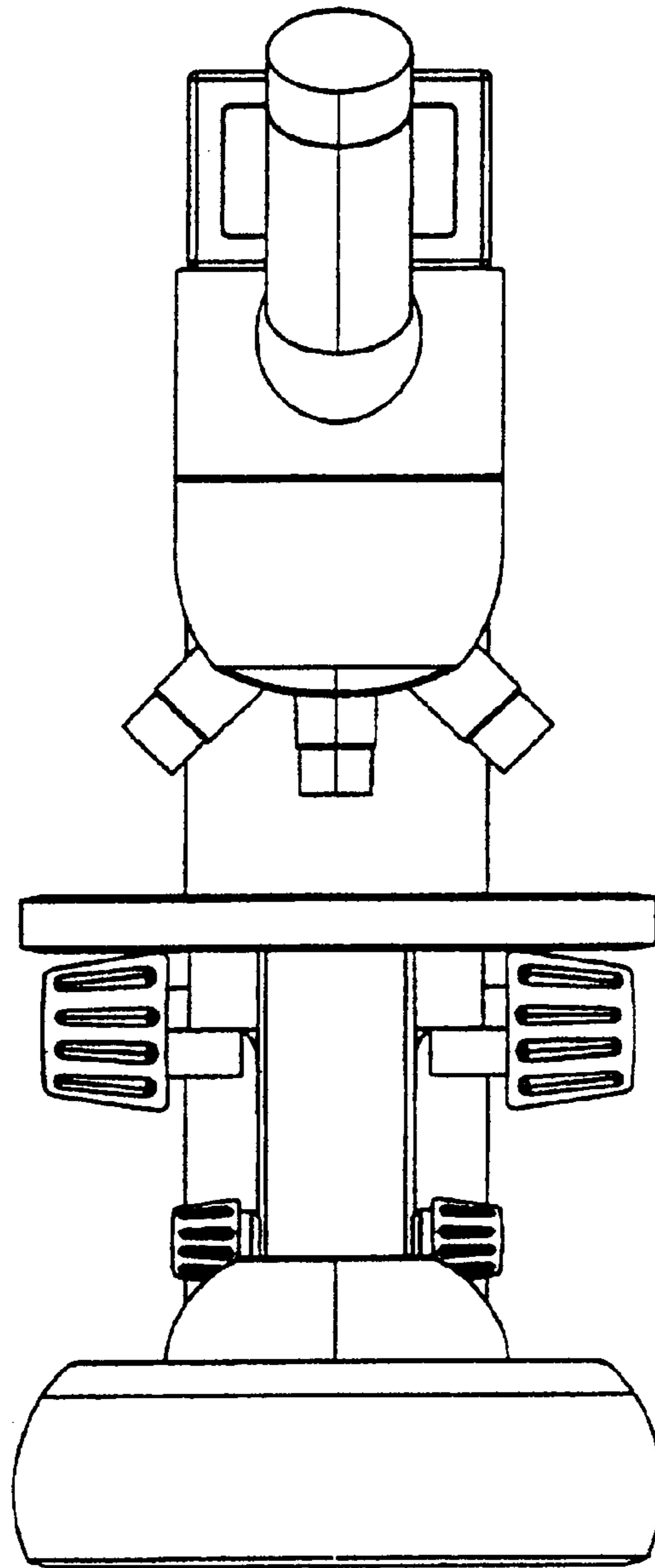


FIG. 3

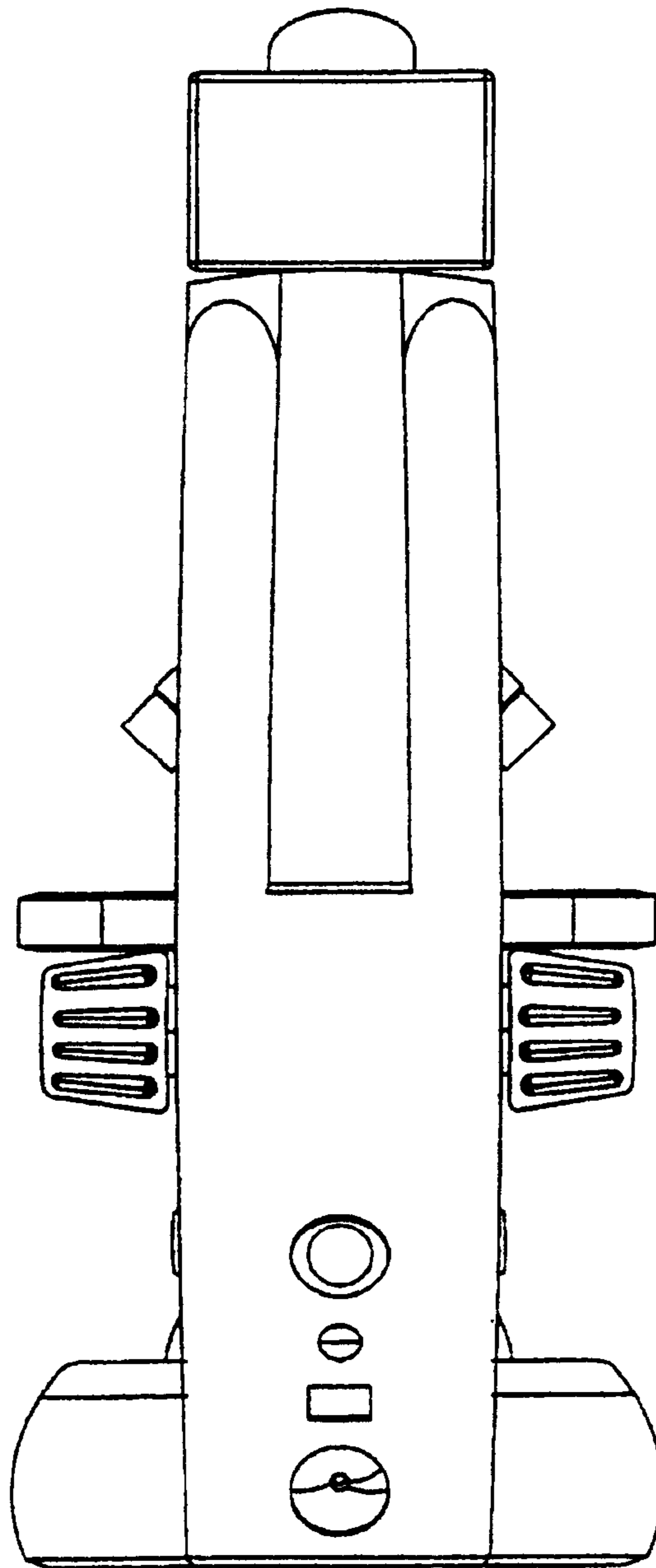


FIG. 4

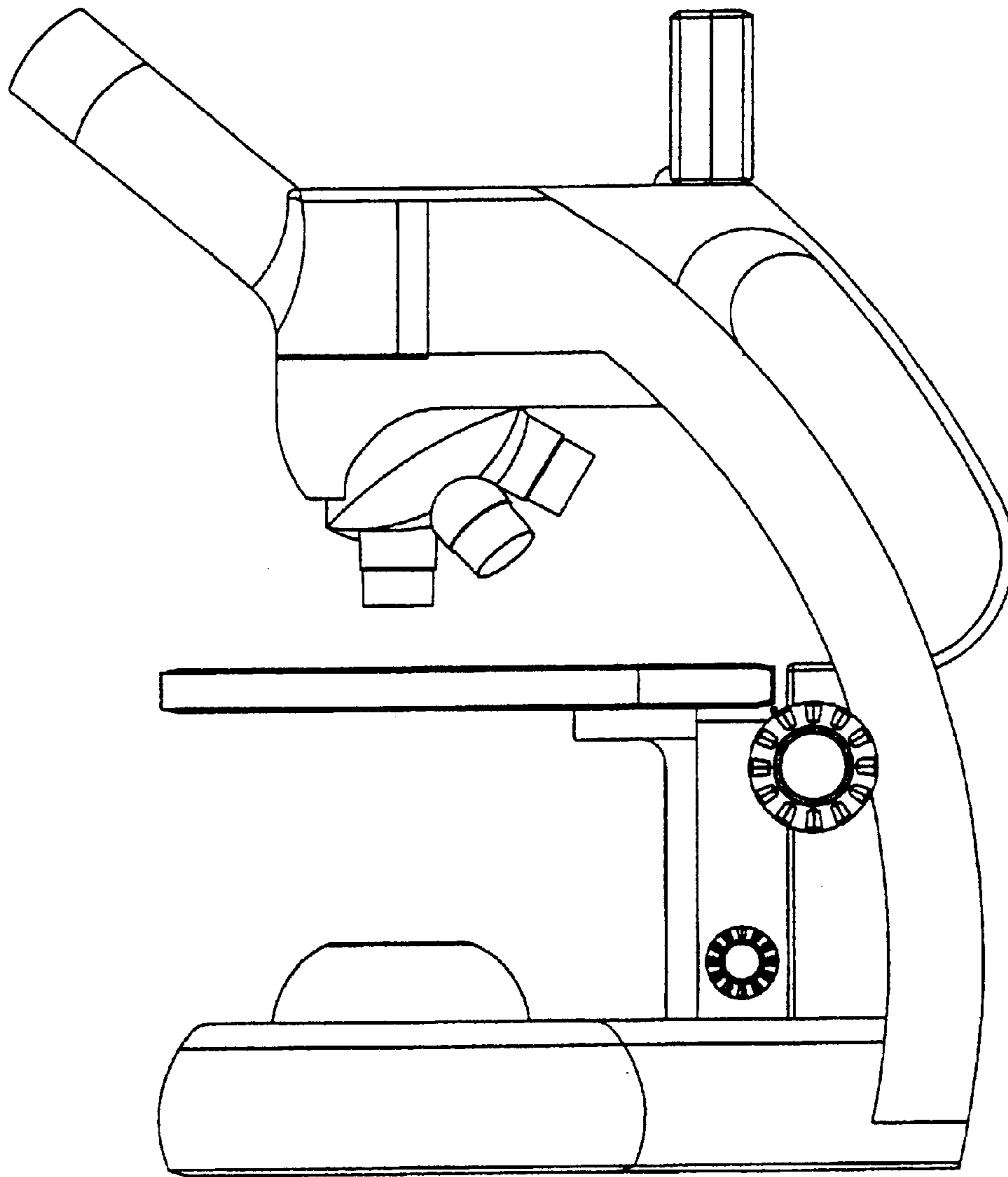


FIG. 5

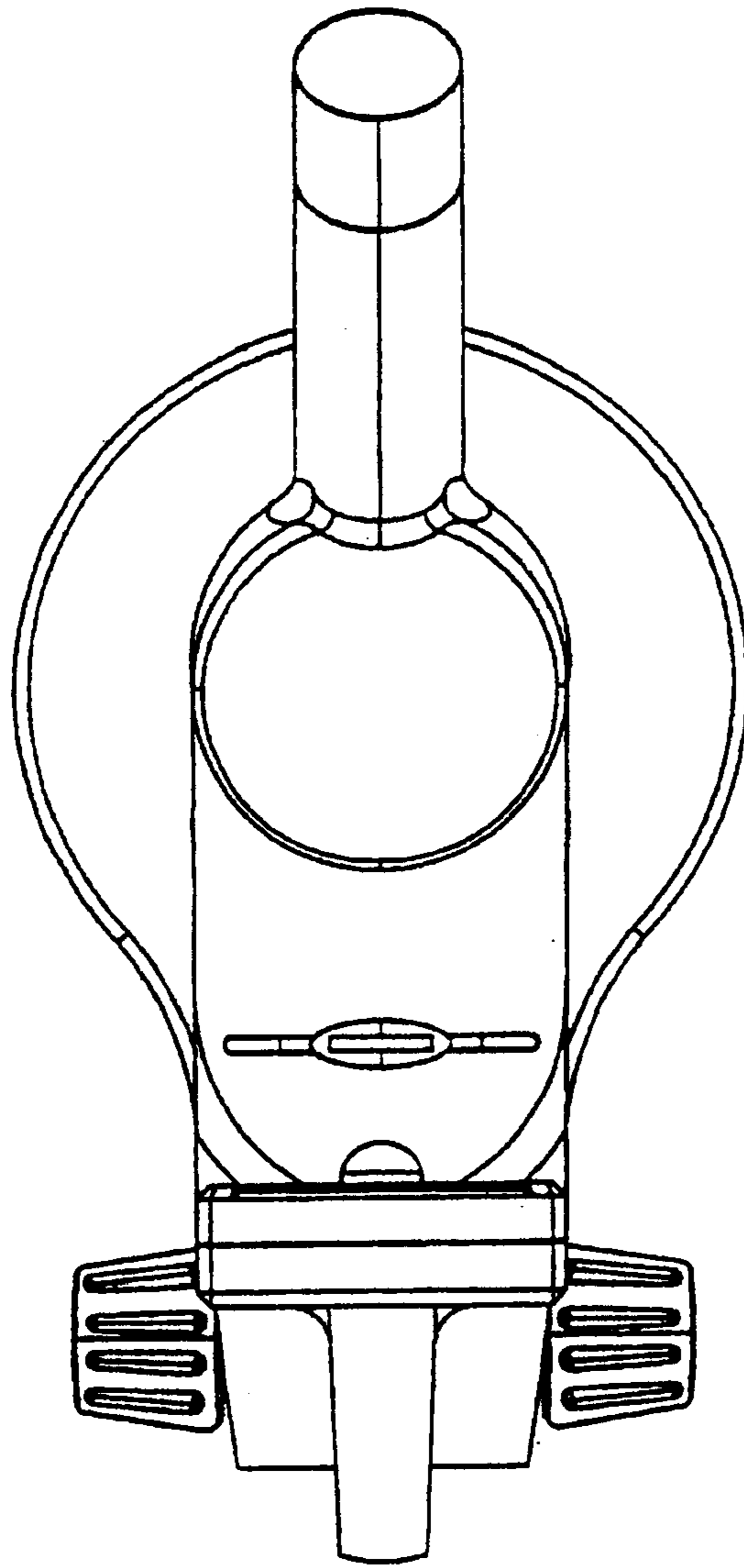


FIG. 6