



US00D518837S

(12) **United States Design Patent**
Taguchi

(10) **Patent No.:** **US D518,837 S**

(45) **Date of Patent:** **** Apr. 11, 2006**

(54) **ACTUATOR**

(75) **Inventor:** **Kenji Taguchi**, Yokohama (JP)

(73) **Assignee:** **Jidosha Denki Kogyo Co., Ltd.**,
Yokohama (JP)

(**) **Term:** **14 Years**

(21) **Appl. No.:** **29/201,490**

(22) **Filed:** **Mar. 17, 2004**

(30) **Foreign Application Priority Data**

Sep. 17, 2003 (JP) 2003-031243

(51) **LOC (8) Cl.** **15-09**

(52) **U.S. Cl.** **D15/143**

(58) **Field of Classification Search** D15/143;
74/149, 331, 339, 340, 343, 402, 409, 411.5,
74/425; 192/144, 223, 223.2, 223.3; 310/77,
310/83, 89, 239

See application file for complete search history.

(56) **References Cited**

U.S. PATENT DOCUMENTS

3,746,408 A * 7/1973 Wachter et al. D15/143

D236,020 S * 7/1975 Wachter D15/143
6,712,727 B1 * 3/2004 Kujira et al. 475/149
6,789,443 B1 * 9/2004 Torii et al. 74/425
6,814,209 B1 * 11/2004 Acosta 192/223.2
6,843,148 B1 * 1/2005 Marcel 74/425

* cited by examiner

Primary Examiner—Antoine D. Davis

(74) *Attorney, Agent, or Firm*—Sughrue Mion, PLLC

(57) **CLAIM**

The ornamental design for an actuator, as shown.

DESCRIPTION

FIG. 1 is a front view thereof;
FIG. 2 is a rear view thereof;
FIG. 3 is a right side view thereof;
FIG. 4 is a left side view thereof;
FIG. 5 is a top plan view thereof;
FIG. 6 is a bottom plan view; and,
FIG. 7 is a perspective view of the top, front and right side thereof.

1 Claim, 7 Drawing Sheets

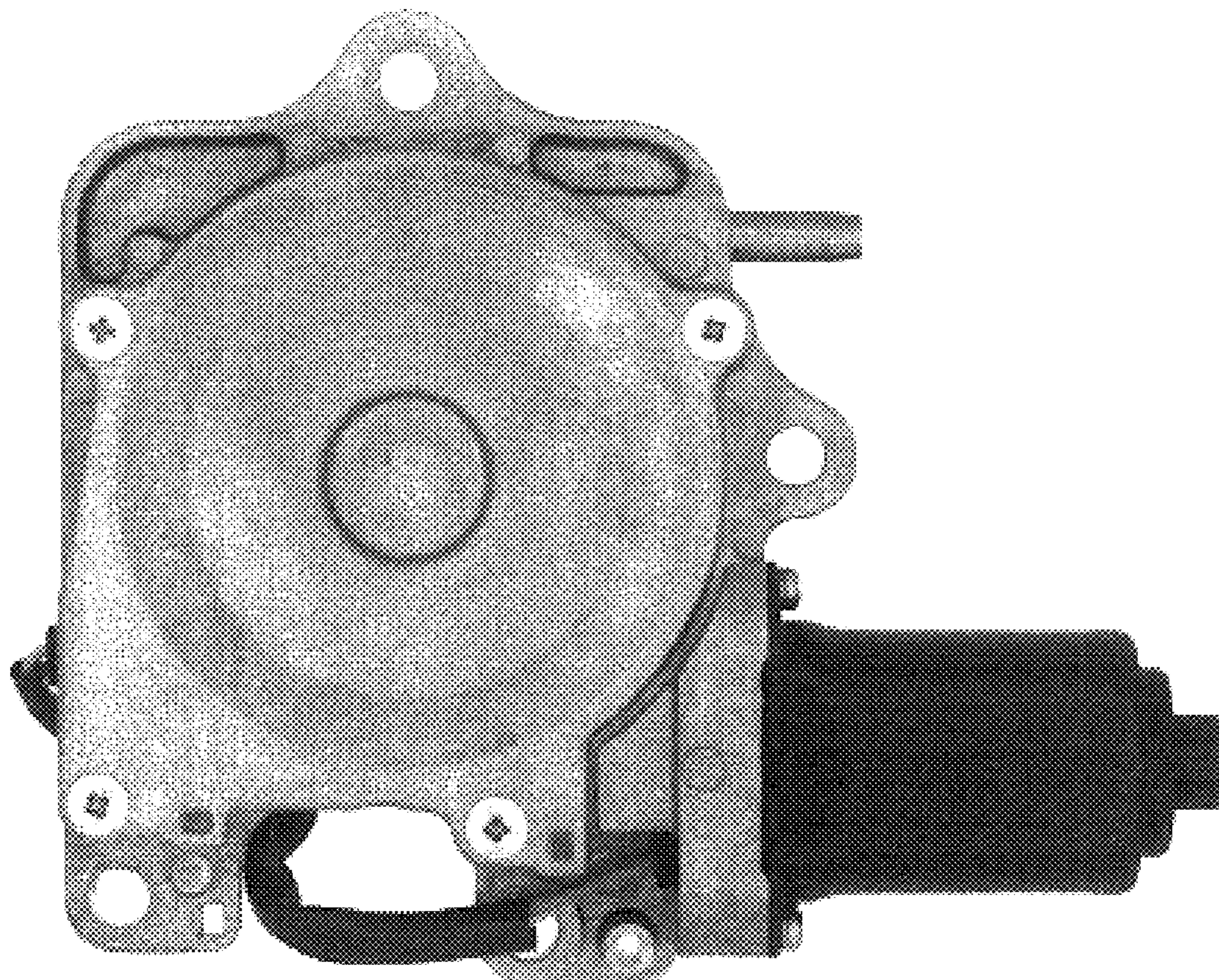


FIG. 1

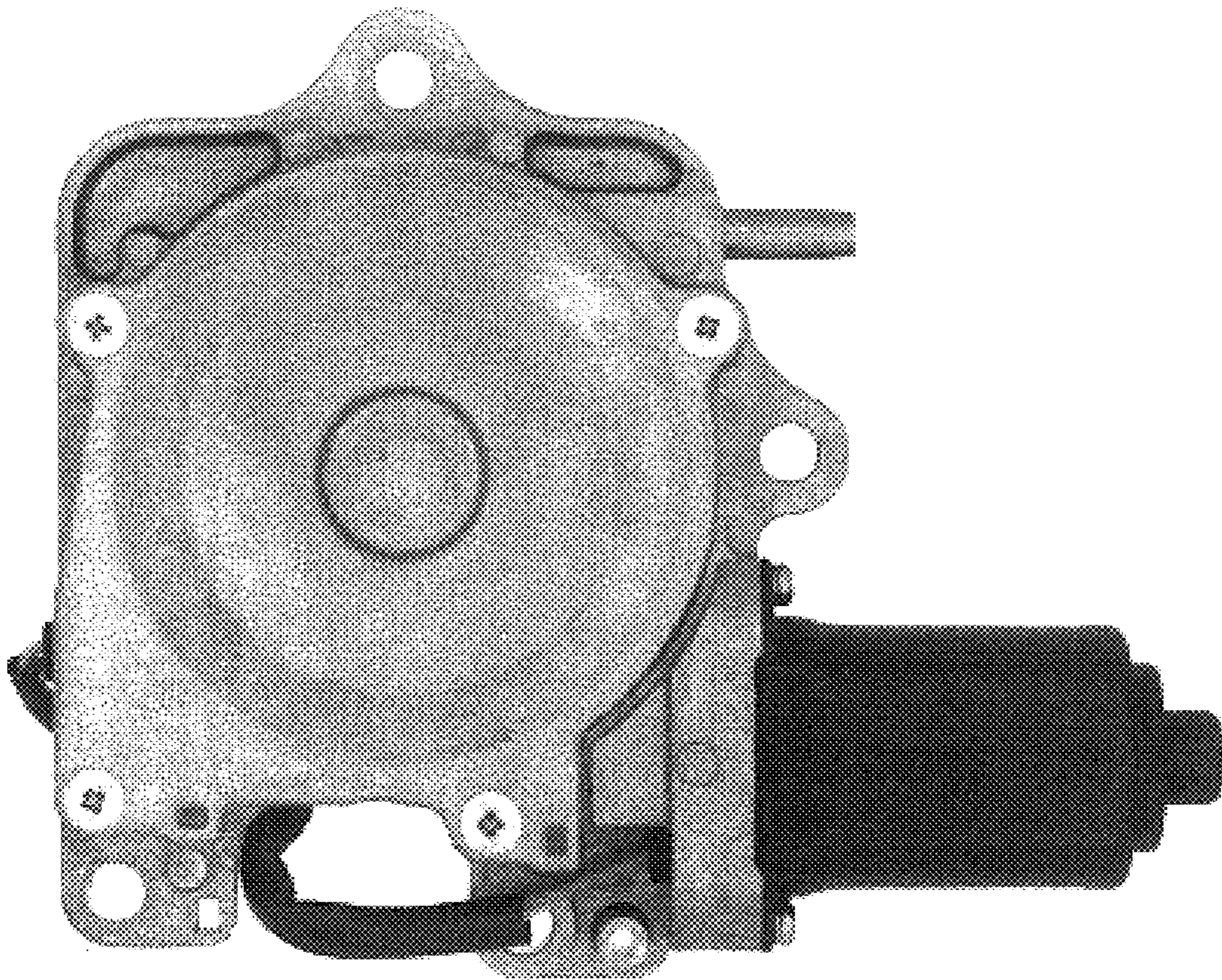


FIG. 2

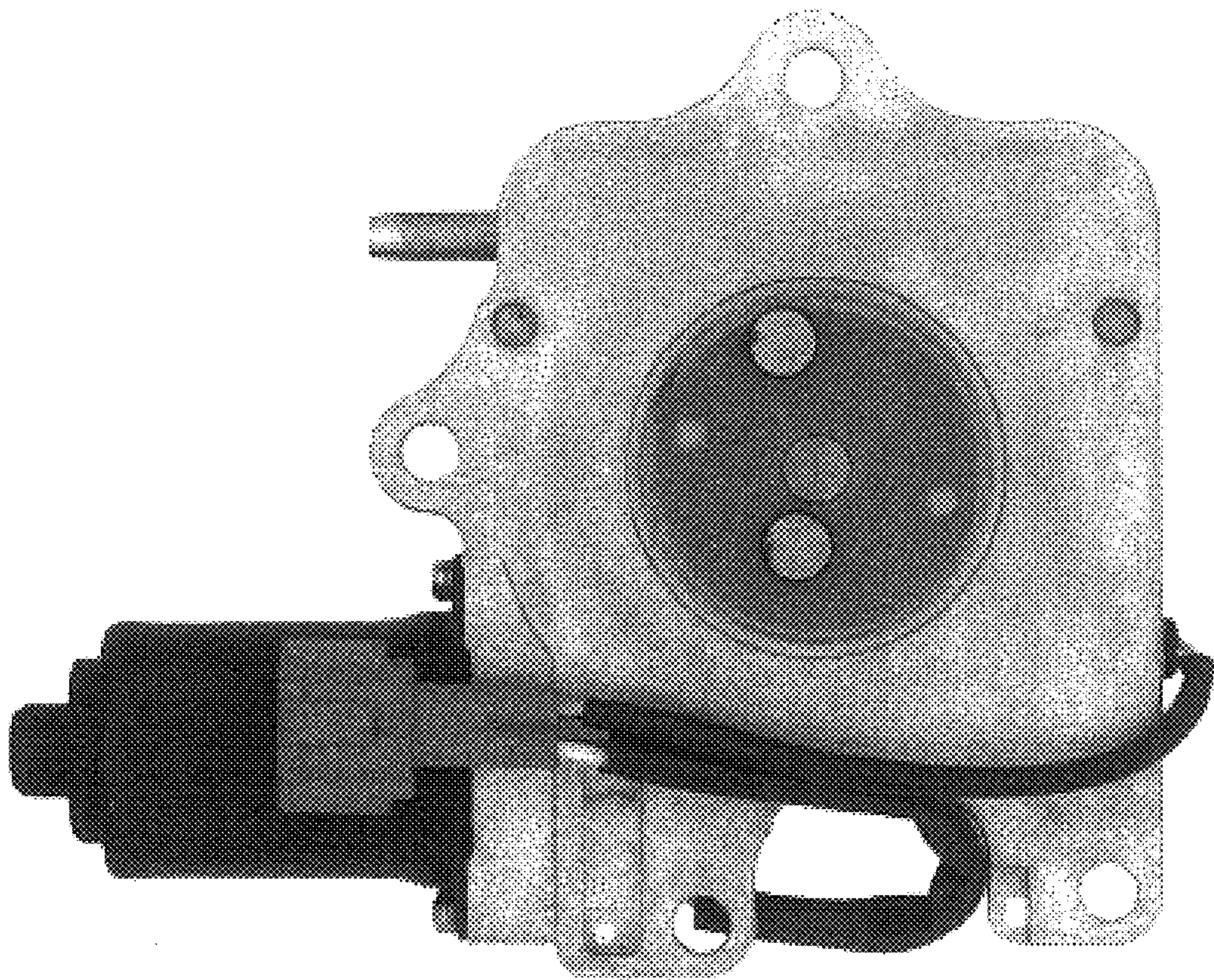


FIG. 3

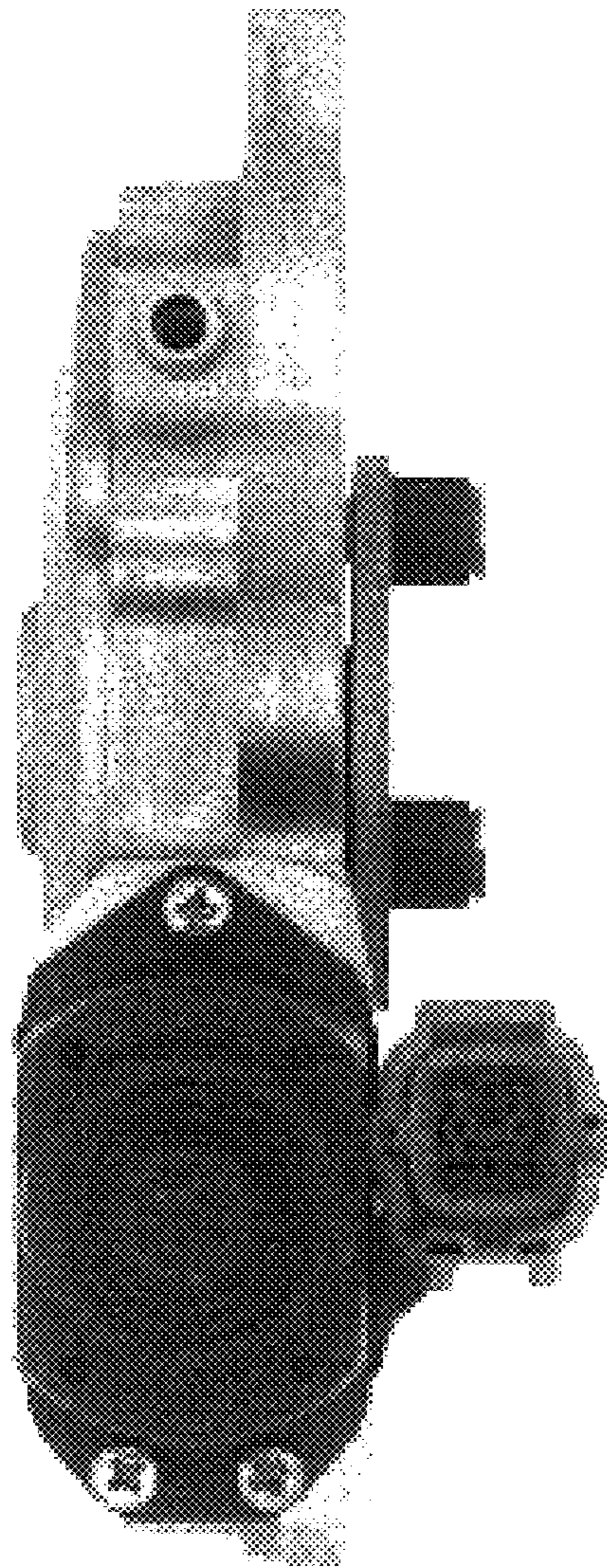


FIG. 4

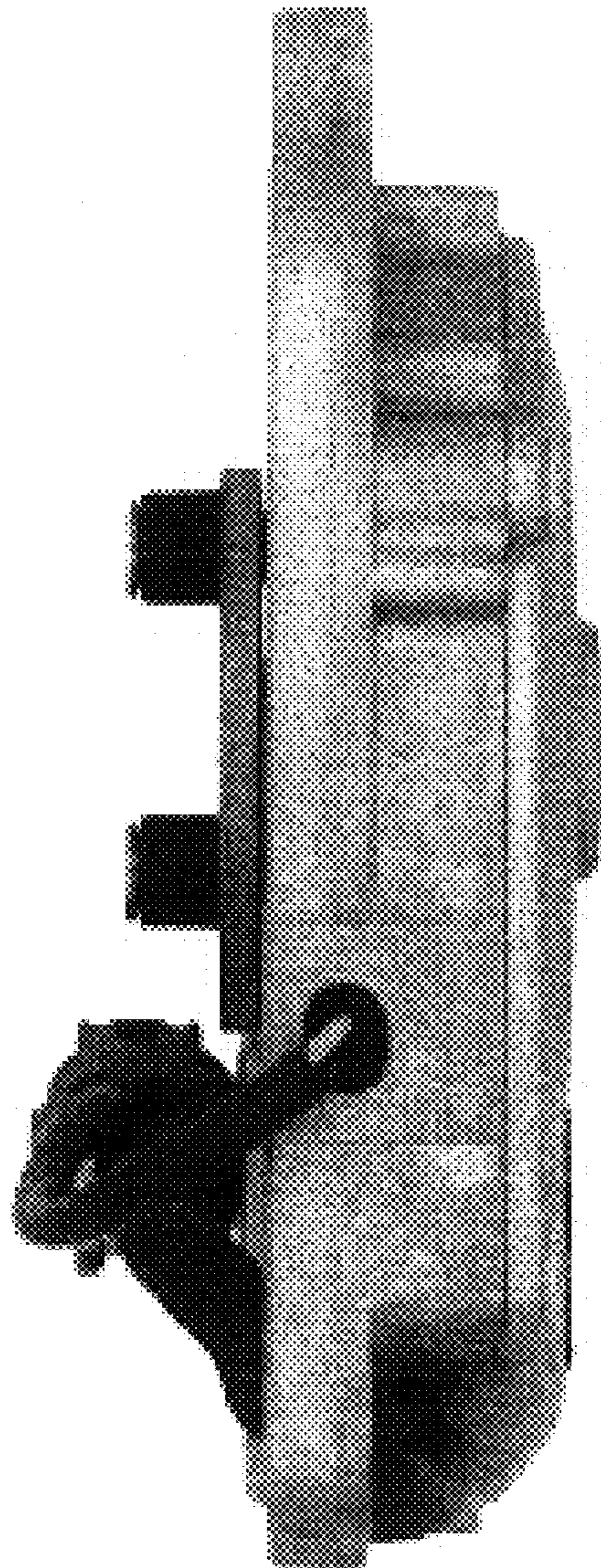


FIG. 5

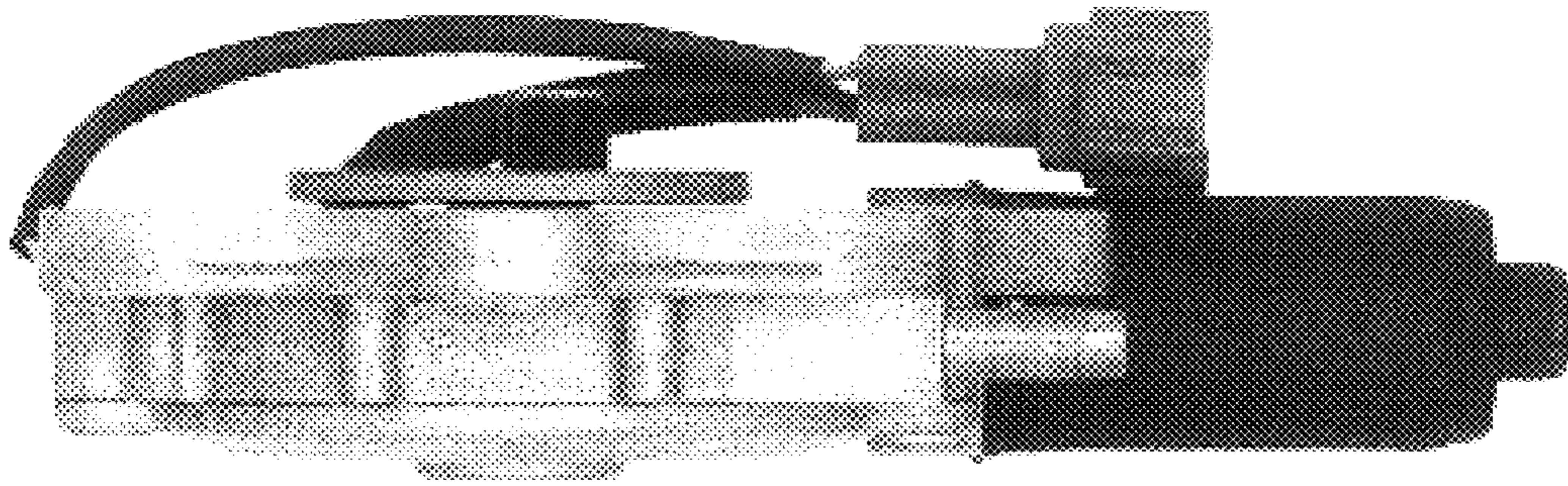


FIG. 6

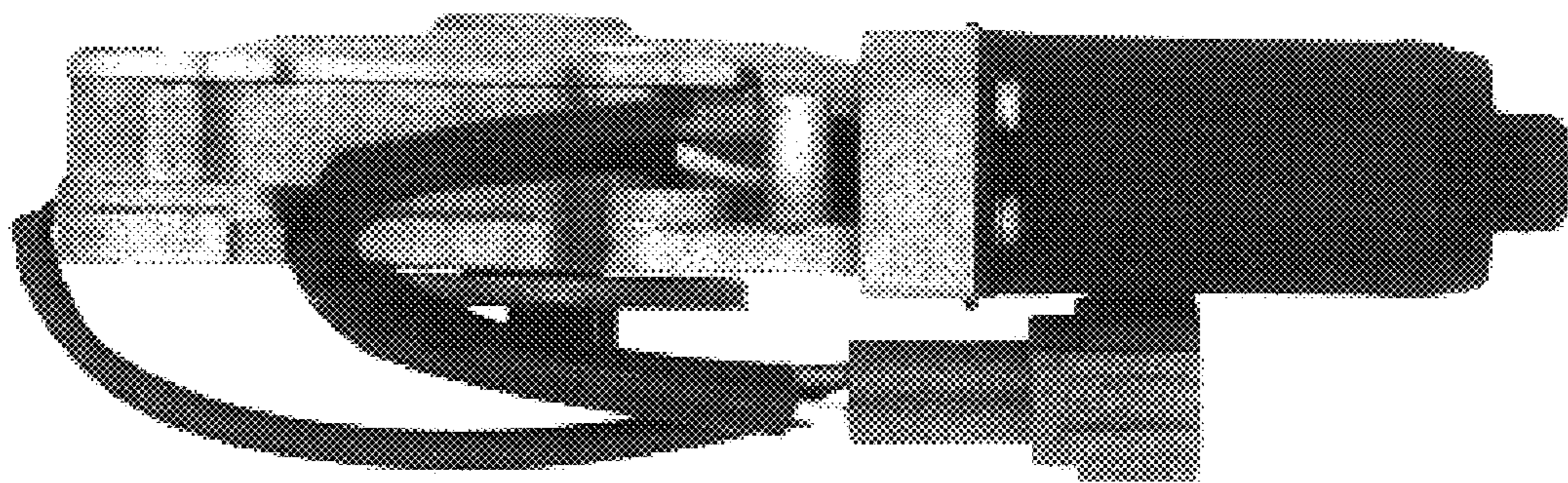


FIG. 7

