



US00D518835S

(12) **United States Design Patent**
Grobleben

(10) **Patent No.:** **US D518,835 S**

(45) **Date of Patent:** **** Apr. 11, 2006**

(54) **SHELVING SYSTEM FOR A REFRIGERATOR**

(75) Inventor: **Ralf Grobleben**, Bretten (DE)

(73) Assignee: **BSH Bosch und Siemens Hausgeraete GmbH**, Munich (DE)

(**) Term: **14 Years**

(21) Appl. No.: **29/207,105**

(22) Filed: **Jun. 7, 2004**

(30) **Foreign Application Priority Data**

Dec. 5, 2003 (EM) 117197

(51) **LOC (8) Cl.** **15-07**

(52) **U.S. Cl.** **D15/89**

(58) **Field of Classification Search** D15/79,
D15/81, 85-87, 89; 62/440-449, 457, 186,
62/246-255, 337, 3.6; 312/116, 247, 270.3,
312/319, 401, 408, 405.1; 220/592.01, 592.02,
220/592.04, 4.31, 533; 428/343
See application file for complete search history.

(56) **References Cited**

U.S. PATENT DOCUMENTS

- 3,359,751 A * 12/1967 Stevens 62/186
- 4,528,825 A * 7/1985 Khan 62/441
- 5,553,936 A * 9/1996 Dasher et al. 312/408
- 2002/0149304 A1 * 10/2002 Bienick 312/408
- 2003/0152765 A1 * 8/2003 Lewis 428/343
- 2004/0056575 A1 * 3/2004 Dietz et al. 312/408

2005/0067929 A1 * 3/2005 Gilman 312/405.1

* cited by examiner

Primary Examiner—Nanda Bondade

Assistant Examiner—Shanda C. Hill

(74) *Attorney, Agent, or Firm*—John T. Winburn; Russell W. Warnock; Craig J. Loest

(57) **CLAIM**

The ornamental design for a shelving system for a refrigerator, as shown and described.

DESCRIPTION

FIG. 1 front elevational view of a shelving system for a refrigerator, showing my new design;

FIG. 2 is a front top perspective view thereof;

FIG. 3 is a front top perspective view thereof, showing the first shelf from the top in an alternate position;

FIG. 4 is front top perspective view thereof, showing the second shelf in an alternate position;

FIG. 5 is front top perspective view thereof, showing the third shelf in an alternate position;

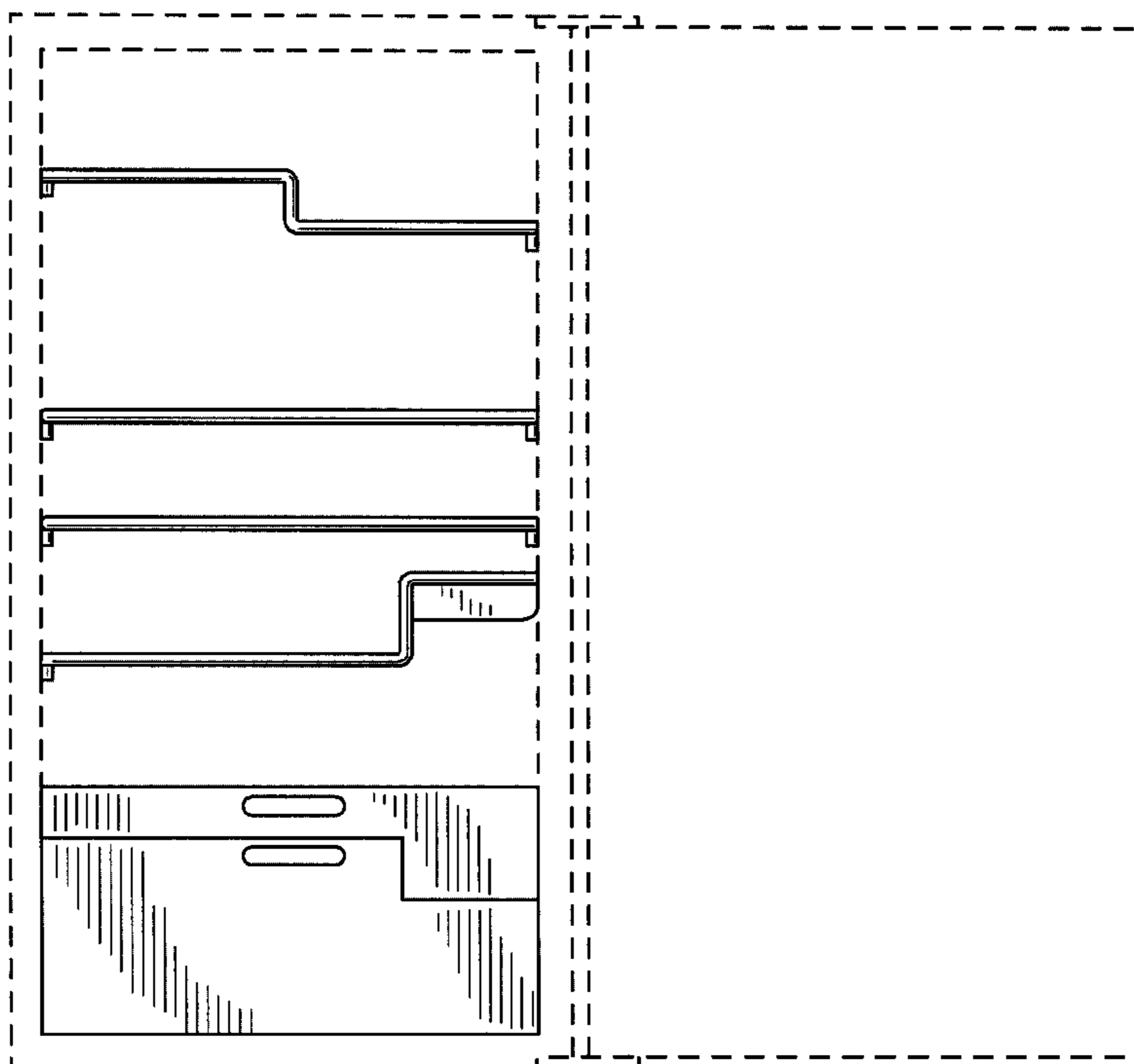
FIG. 6 is front top perspective view thereof, showing the fourth shelf in an alternate position;

FIG. 7 is front top perspective view thereof, showing the upper storage tray in an alternate position; and,

FIG. 8 is front top perspective view thereof, showing the lower storage tray in an alternate position.

The broken line showing of portions of a refrigerator is for illustrative purposes only and forms no part of the claimed design.

1 Claim, 8 Drawing Sheets



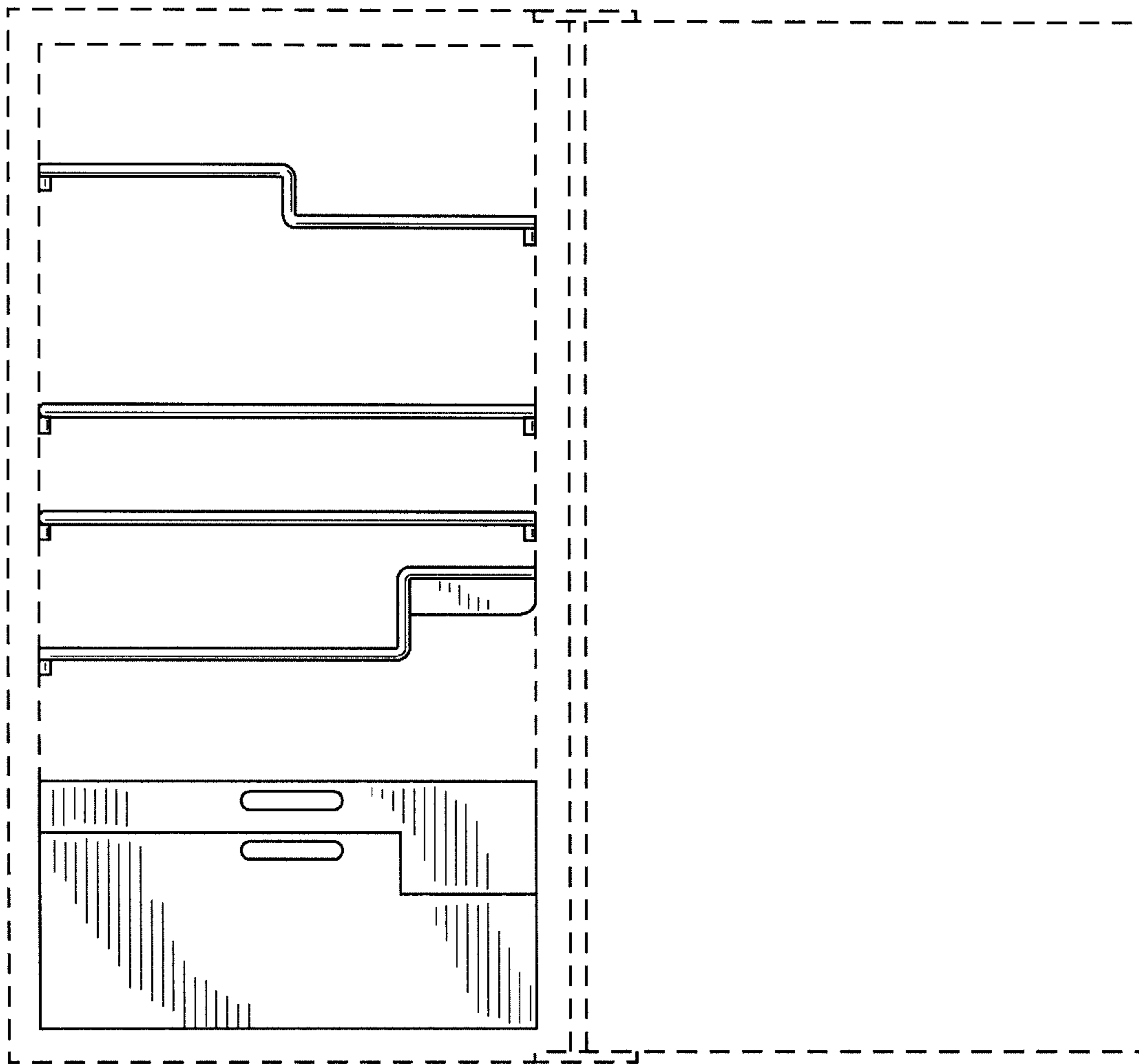


FIG. 1

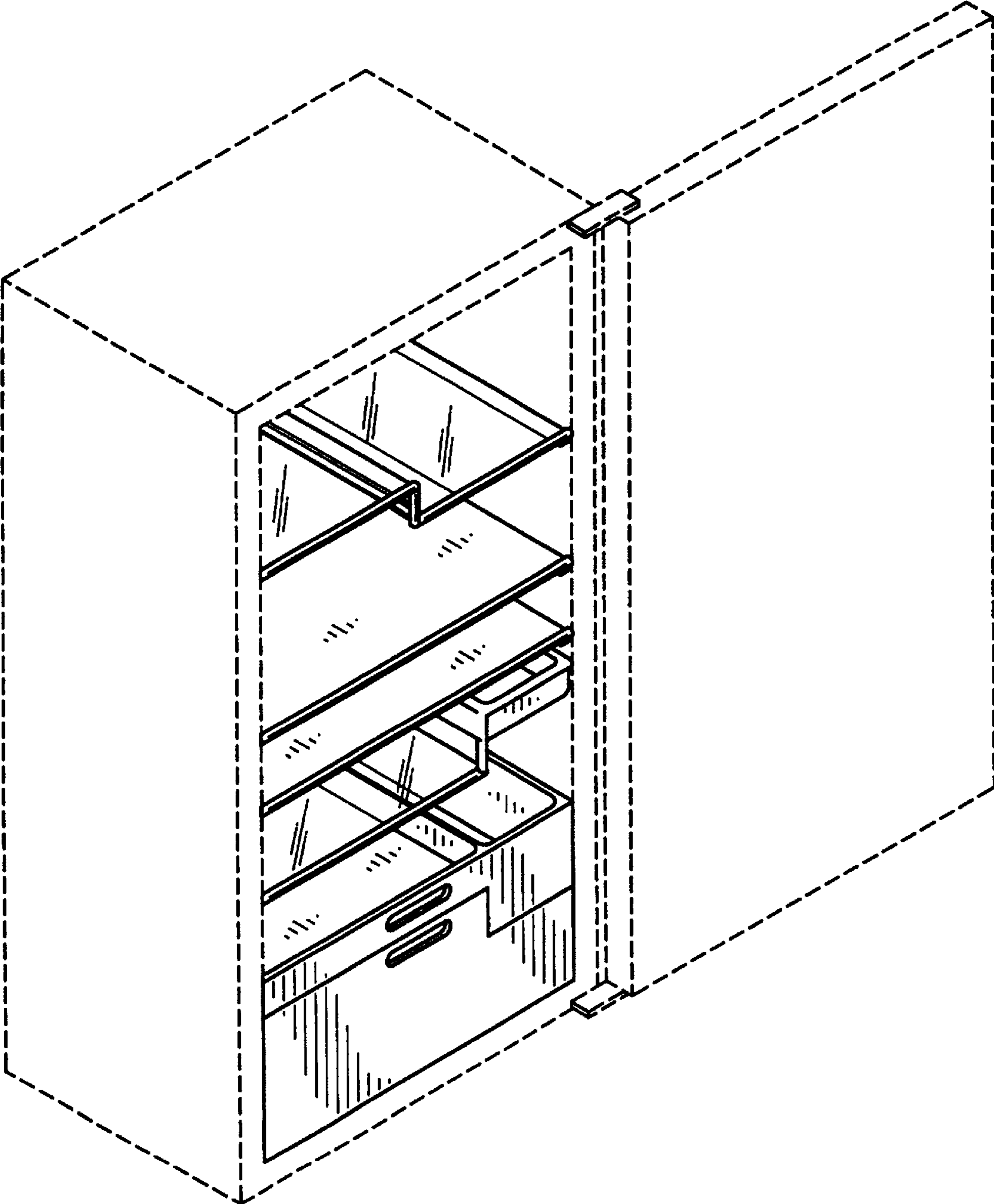


FIG. 2

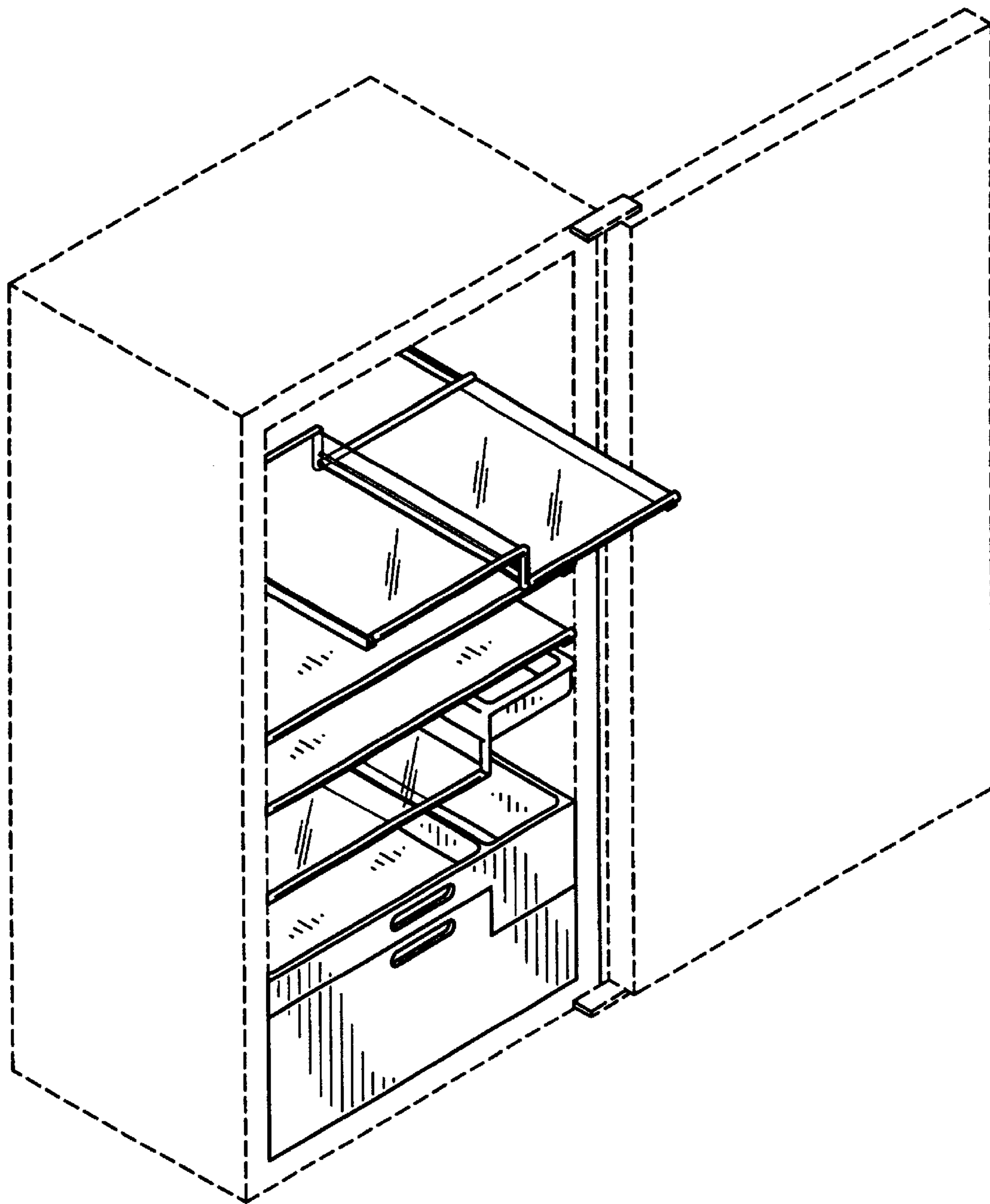


FIG. 3

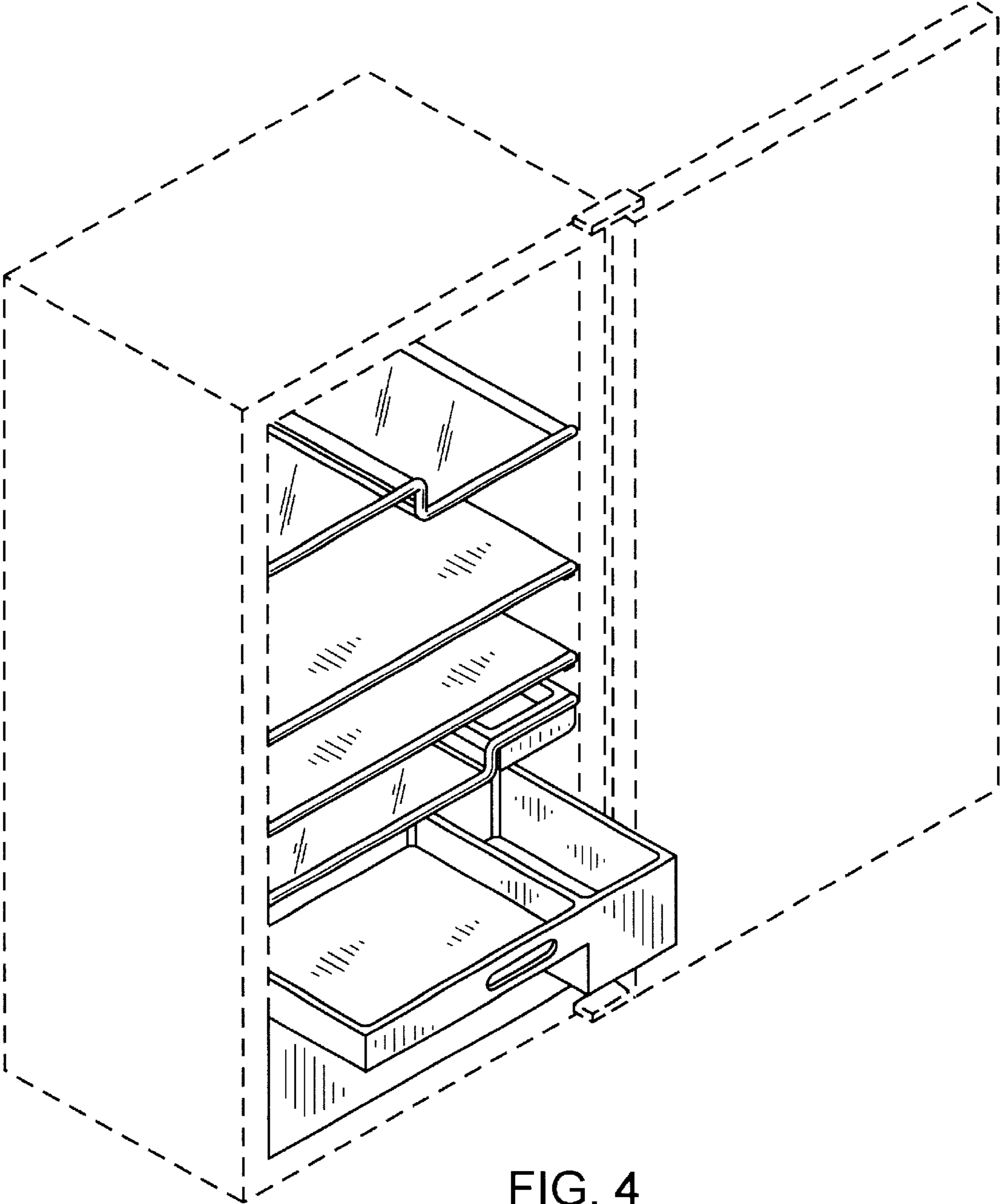


FIG. 4

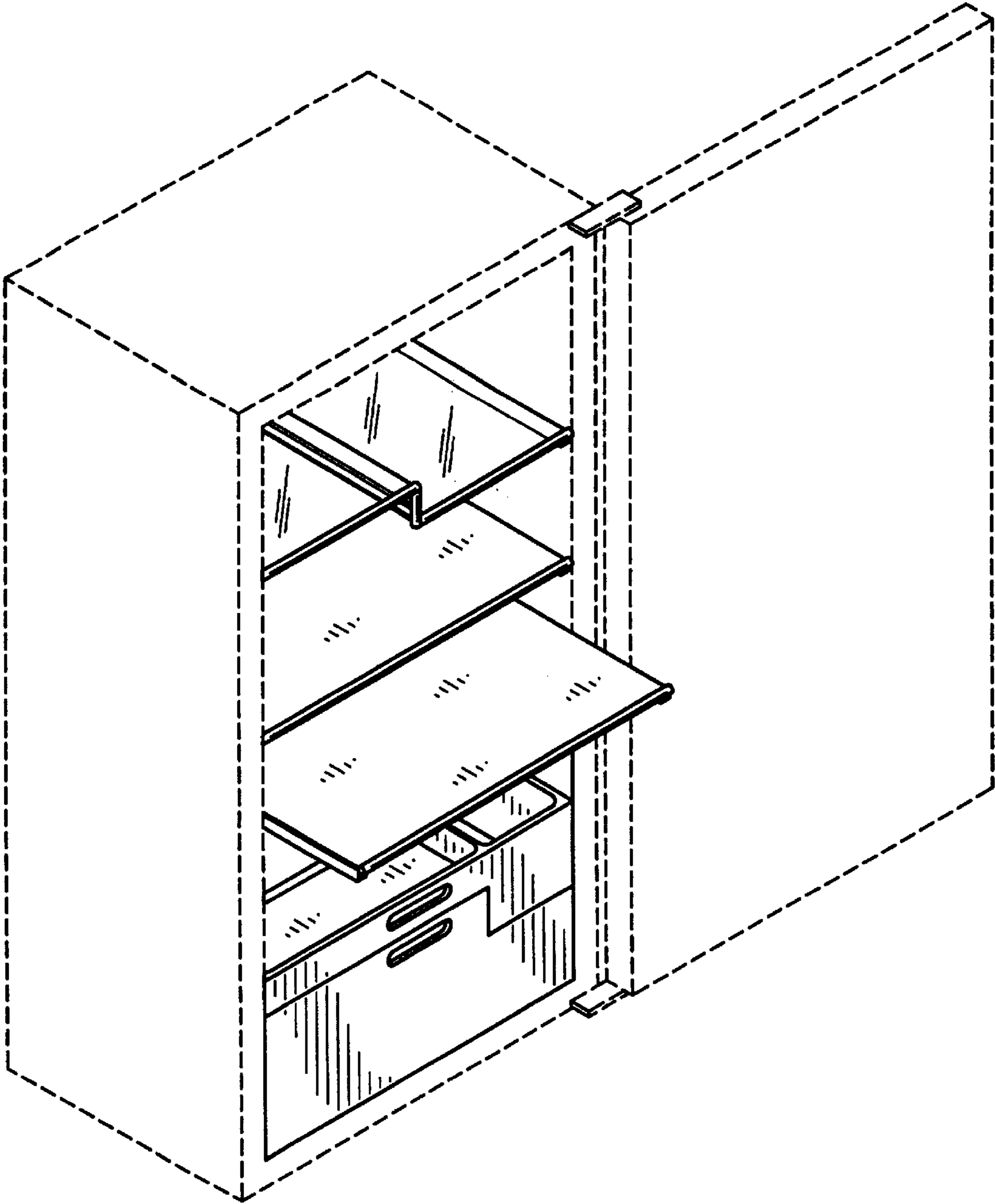


FIG. 5

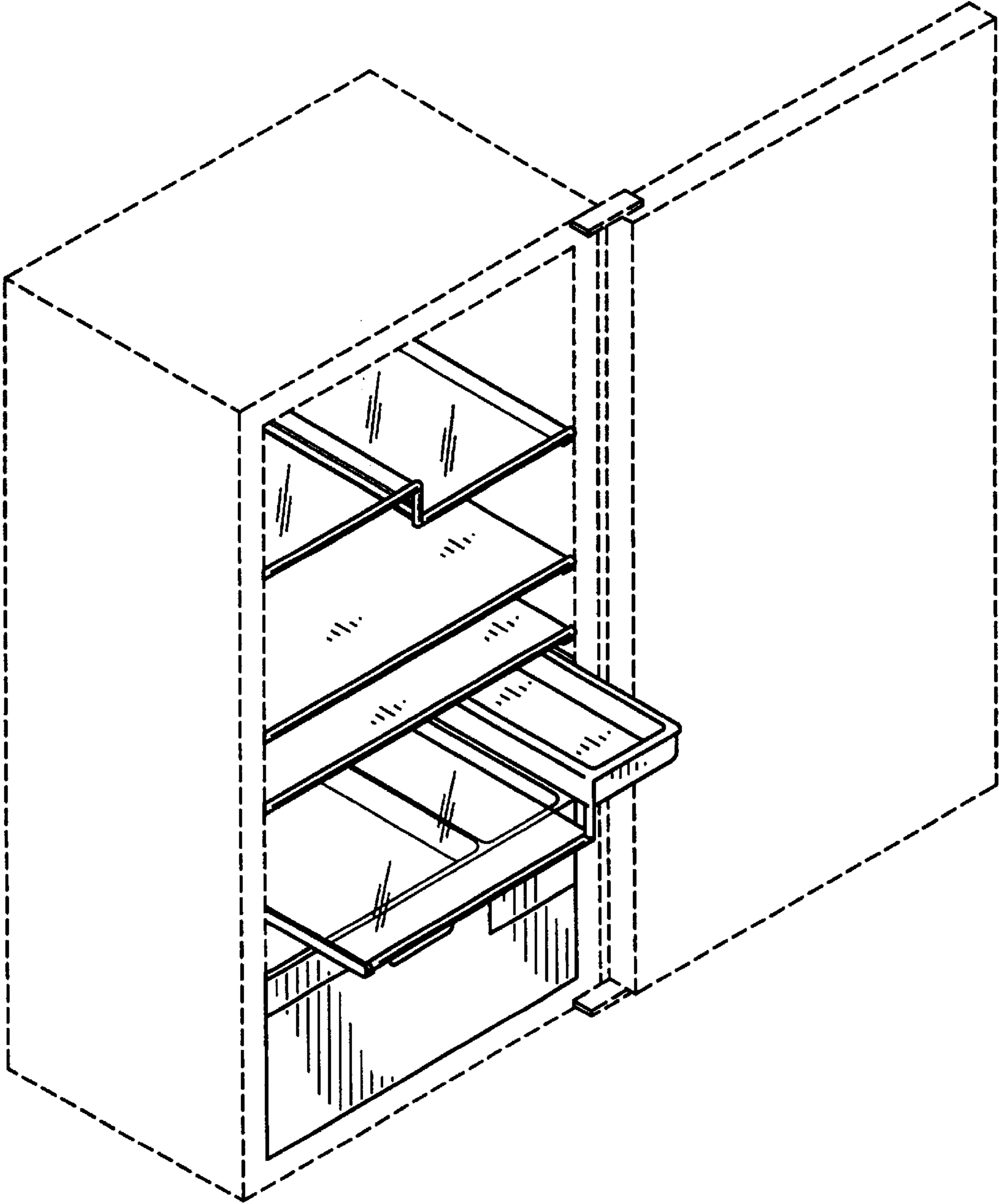


FIG. 6

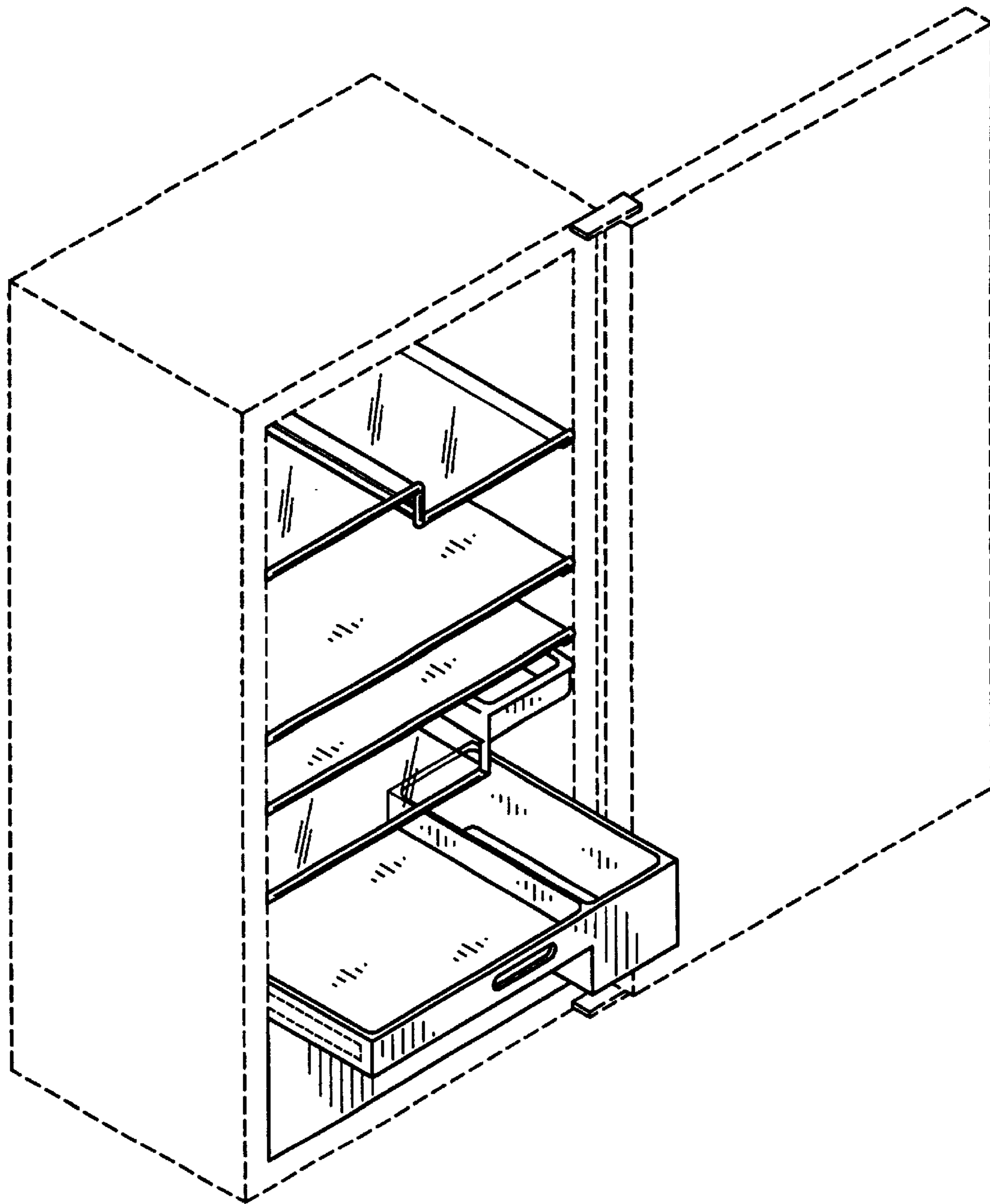


FIG. 7

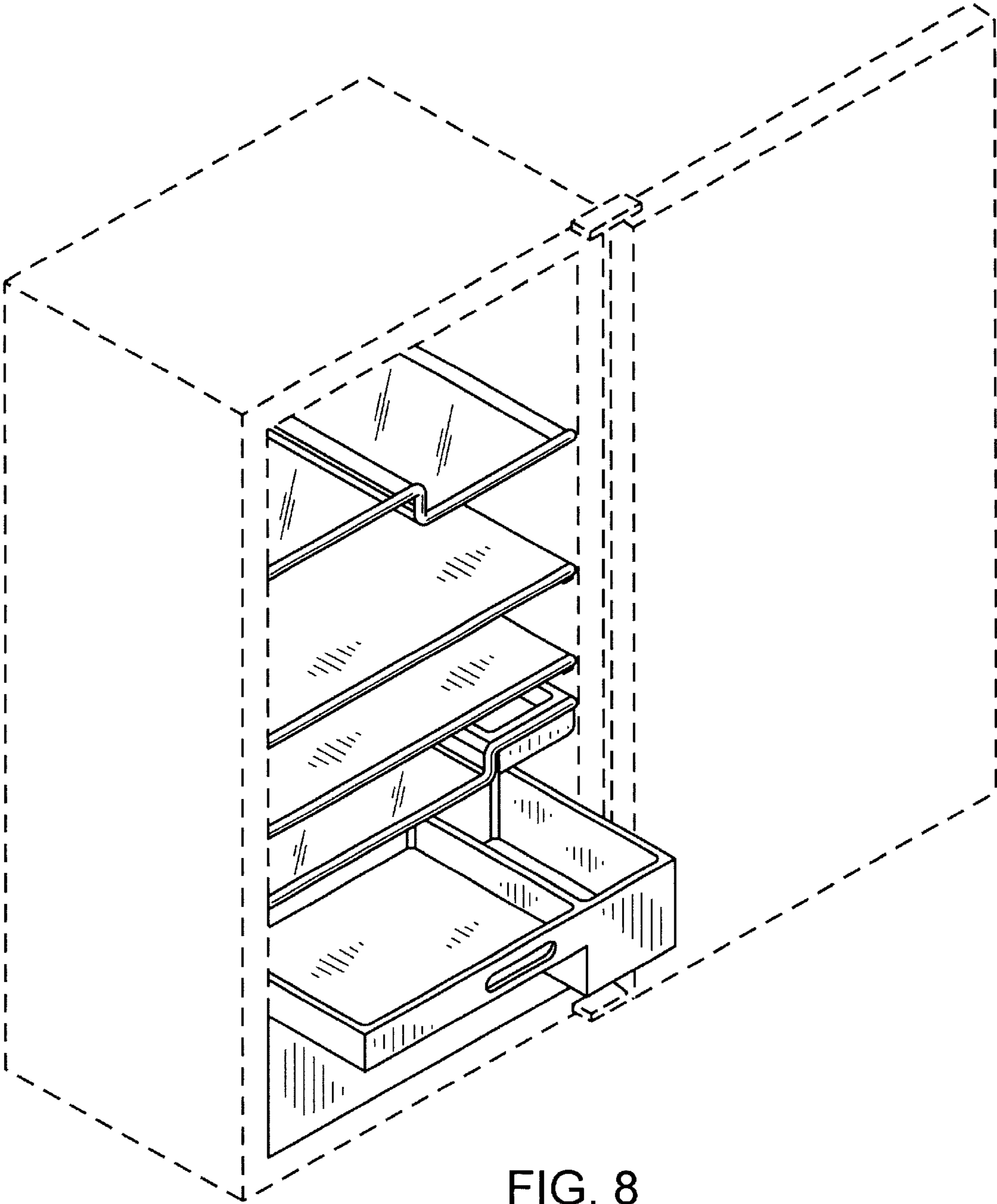


FIG. 8