



US00D518831S

(12) **United States Design Patent**
Bowsher

(10) **Patent No.:** **US D518,831 S**

(45) **Date of Patent:** **** Apr. 11, 2006**

(54) **IMPELLER**

(75) Inventor: **Neil Edwin Bowsher**, Sullivan, IL (US)

(73) Assignee: **Agri-Fab, Inc.**, Sullivan, IL (US)

(**) Term: **14 Years**

(21) Appl. No.: **29/207,362**

(22) Filed: **Jun. 12, 2004**

(51) **LOC (8) Cl.** **15-03**

(52) **U.S. Cl.** **D15/29**

(58) **Field of Classification Search** D15/12,
D15/39, 139; D8/1, 8, 70; 239/223, 224,
239/685-687, 679, 650, 681; 222/189.02,
222/251, 625, 410, 614

See application file for complete search history.

(56) **References Cited**

U.S. PATENT DOCUMENTS

3,586,246 A	6/1971	Van Der Lely	
4,106,704 A *	8/1978	McRoskey et al.	239/685
D268,498 S *	4/1983	Bagby	D15/123
4,487,370 A	12/1984	Speicher	
4,580,730 A	4/1986	Amerine	
4,588,133 A	5/1986	Brabb et al.	
4,597,531 A *	7/1986	Kise	239/650
D285,085 S *	8/1986	Fischer et al.	D15/139
4,785,976 A	11/1988	Bennie et al.	
5,203,510 A *	4/1993	Courtney et al.	239/667

5,497,836 A *	3/1996	Groff	172/555
5,842,648 A *	12/1998	Havlovitz et al.	239/650
5,944,264 A *	8/1999	Truax et al.	239/653
D414,783 S *	10/1999	Spear	D15/13
D463,804 S *	10/2002	Porter et al.	D15/11
6,499,679 B1	12/2002	Woodruff et al.	
6,588,685 B1	7/2003	Woodruff et al.	
6,616,074 B1	9/2003	Courtney	
6,637,678 B1	10/2003	Wyne	
6,726,131 B1 *	4/2004	Berner et al.	232/681
6,945,481 B1 *	9/2005	Thompson et al.	239/663
2003/0197077 A1	10/2003	Woodruff et al.	

* cited by examiner

Primary Examiner—Stella Reid

Assistant Examiner—Mark Goodwin

(74) *Attorney, Agent, or Firm*—Vedder Price Kaufman & Kammholz

(57) **CLAIM**

The ornamental design for an impeller, as shown.

DESCRIPTION

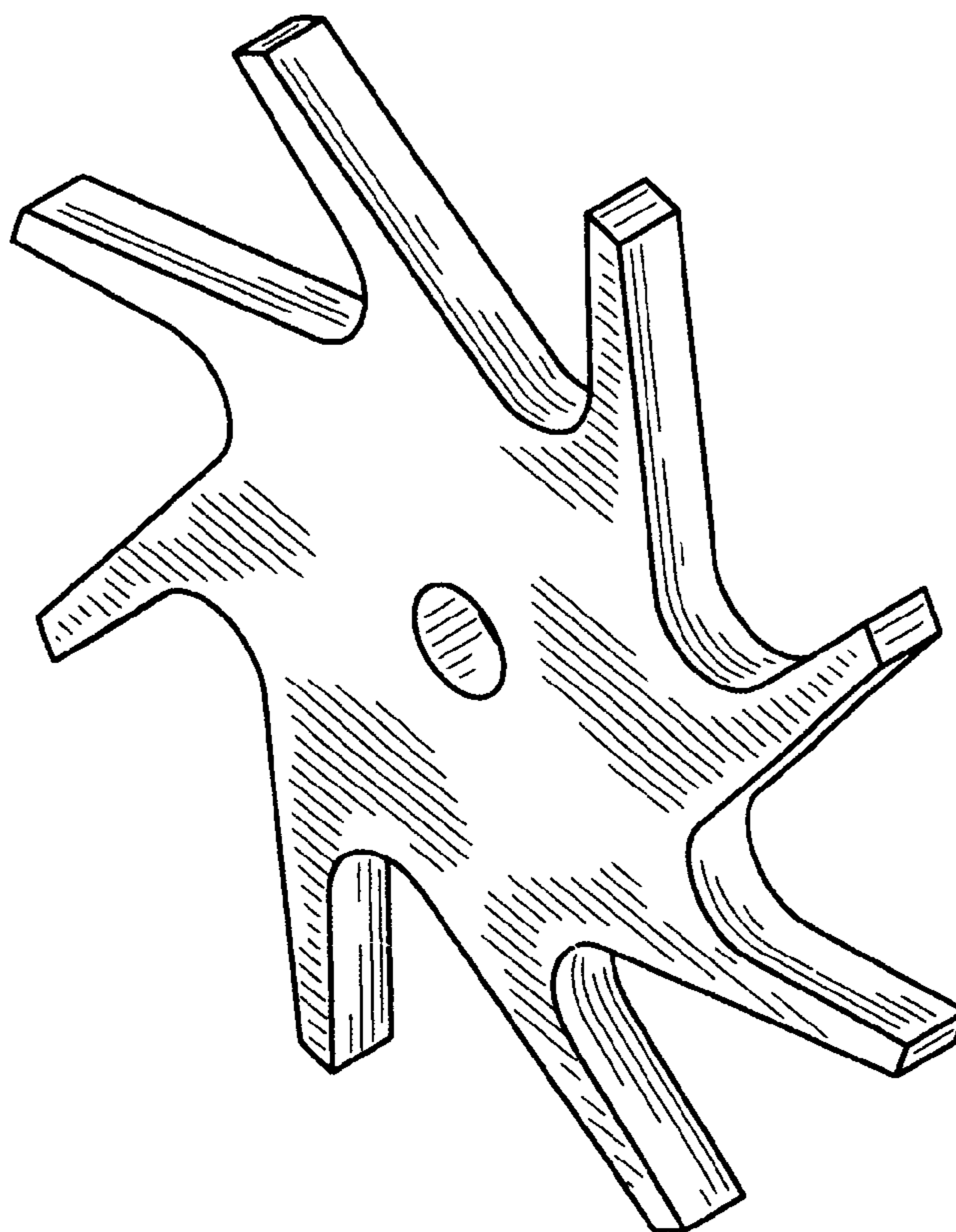
FIG. 1 is a perspective view of the impeller showing my new design;

FIG. 2 is a view of both the top and bottom of my design;

FIG. 3 is a view of both the front and back view of my design; and,

FIG. 4 is a view of both sides of my design.

1 Claim, 1 Drawing Sheet



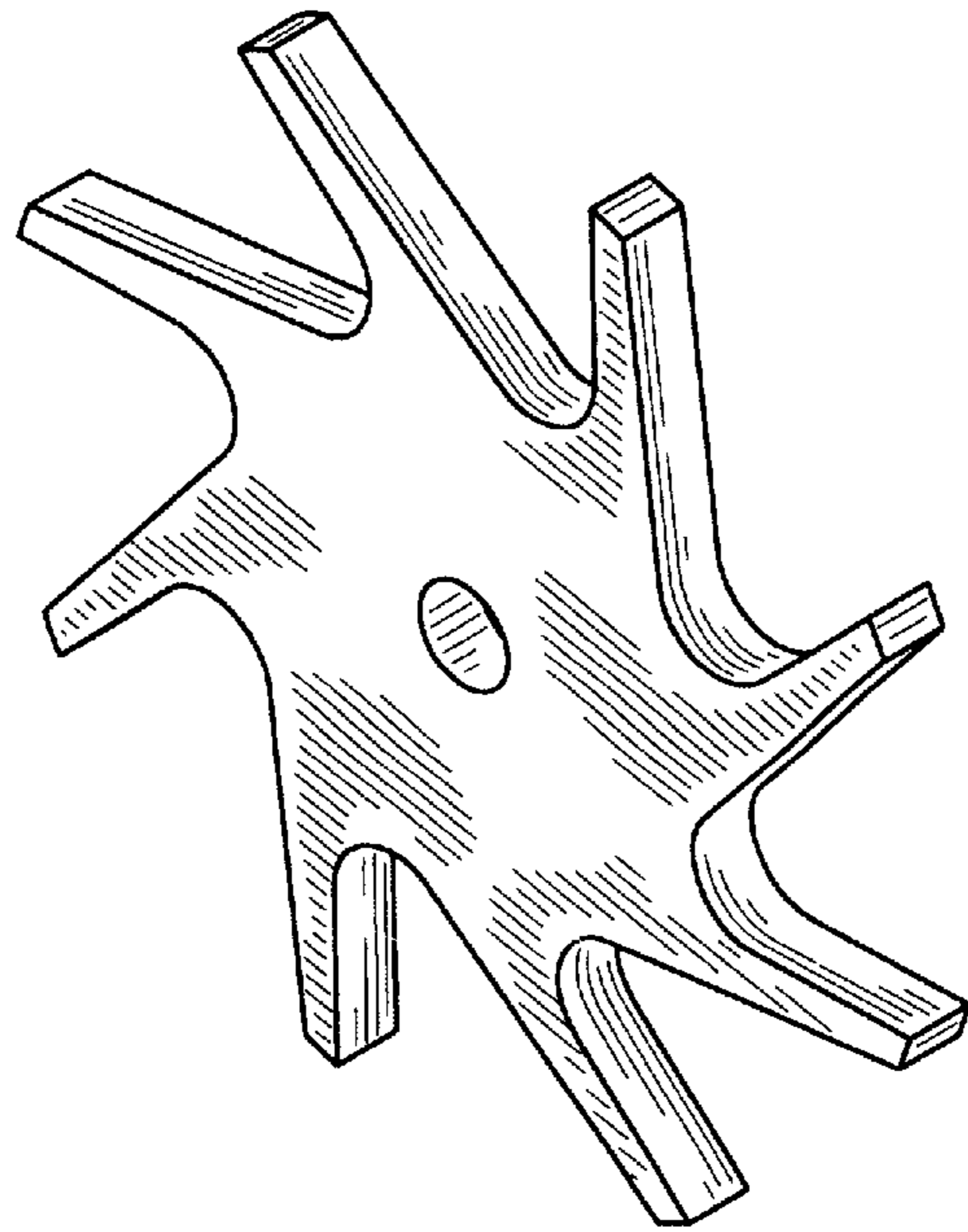


FIG. 1

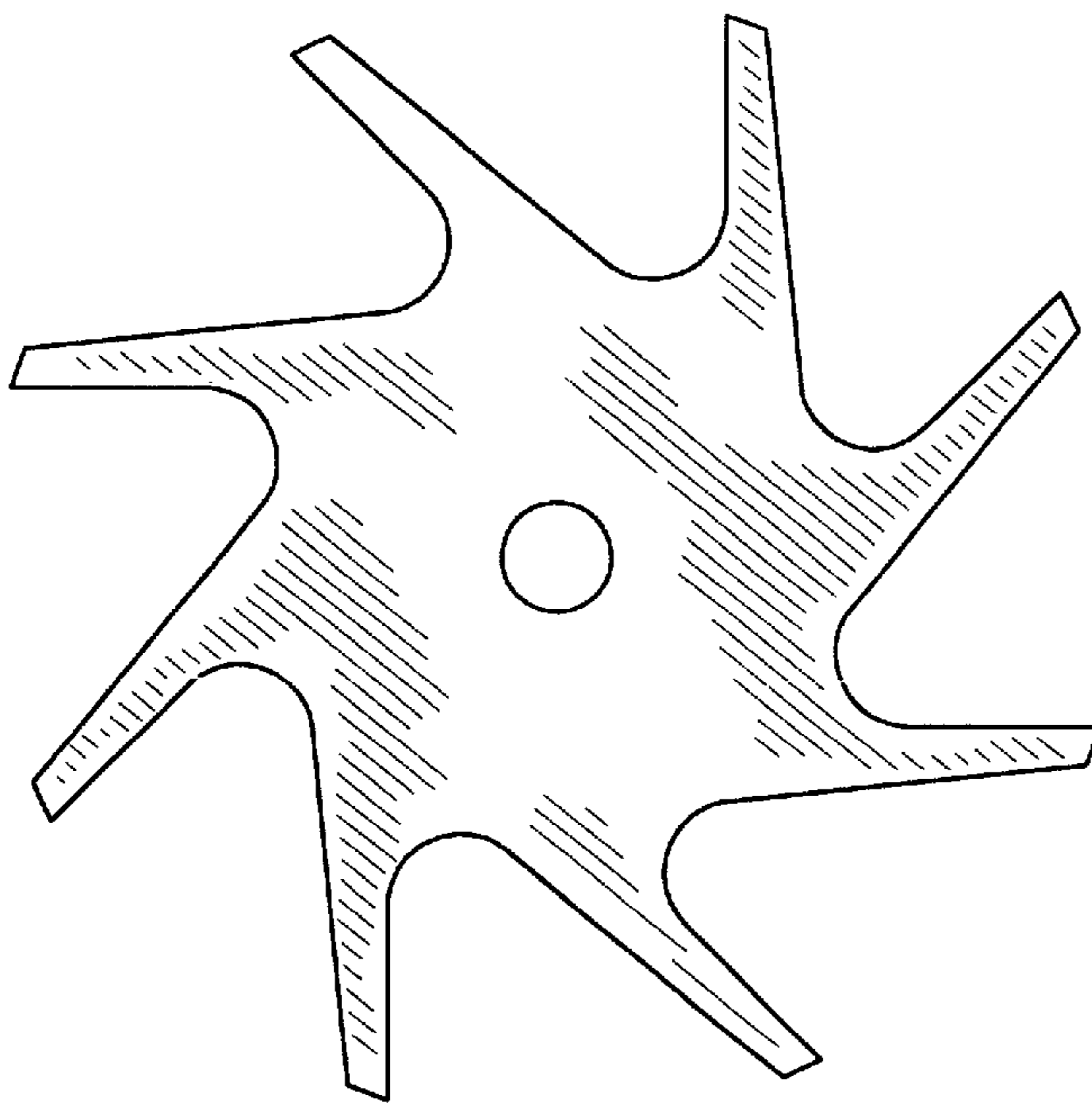


FIG. 2



FIG. 3

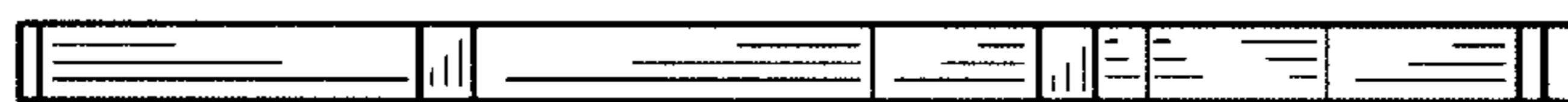


FIG. 4