



US00D518830S

(12) **United States Design Patent**  
**Bertani**

(10) **Patent No.:** **US D518,830 S**  
(45) **Date of Patent:** **\*\* Apr. 11, 2006**

(54) **PRESSURE FILLER BREATHER CAP WITH KEY**

(75) Inventor: **Alberto Bertani**, Milan (IT)

(73) Assignee: **ELESA S.p.A.**, Milan (IT)

(\*\*) Term: **14 Years**

(21) Appl. No.: **29/203,604**

(22) Filed: **Apr. 16, 2004**

(30) **Foreign Application Priority Data**

Oct. 20, 2003 (EM) ..... 89669

(51) **LOC (8) Cl.** ..... **15-01**

(52) **U.S. Cl.** ..... **D15/5**

(58) **Field of Classification Search** ..... D15/1-5;  
D23/233-237, 244-249; 220/269-270, 90.4,  
220/276, 265-266, 279-280, 200, 608, 268;  
215/274, 214, 216, 217, 250, 329, 252-254,  
215/256-257, 228, 312; D10/35, 54, 58,  
D10/36, 41-51; 137/382; 251/294, 61.1,  
251/287-288; 285/273, 275; D24/129; 401/208-216;  
D9/302, 338, 435-436, 438, 503, 504, 529,  
D9/442-443, 445-447, 452-456

See application file for complete search history.

(56) **References Cited**

**U.S. PATENT DOCUMENTS**

D270,521 S \* 9/1983 Morris ..... D9/443

D271,028 S \* 10/1983 Adams ..... D19/55  
D347,465 S \* 5/1994 Luppino ..... D23/233  
D426,159 S \* 6/2000 Briere et al. .... D9/453  
D458,138 S \* 6/2002 Fuchs ..... D9/453  
D475,924 S \* 6/2003 Haffner ..... D9/453

\* cited by examiner

*Primary Examiner*—Ian Simmons

*Assistant Examiner*—Maurice Stevens

(74) *Attorney, Agent, or Firm*—Pearne & Gordon LLP

(57) **CLAIM**

The ornamental design for a pressure filler breather cap with key, as shown and described.

**DESCRIPTION**

FIG. 1 is a first perspective view of my new design for a pressure filler breather cap with key;  
FIG. 2 is a front thereof;  
FIG. 3 is a top view of FIG. 1;  
FIG. 4 is a right side view of FIG. 1;  
FIG. 5 is a left side view of FIG. 1;  
FIG. 6 is a back view of FIG. 1;  
FIG. 7 is a bottom view of FIG. 1; and,  
FIG. 8 is a second perspective view of FIG. 1 showing the key removed.

The broken lines shown in FIGS. 1-2 and 4-8 represent environmental structure and form no part of the claimed design.

**1 Claim, 2 Drawing Sheets**

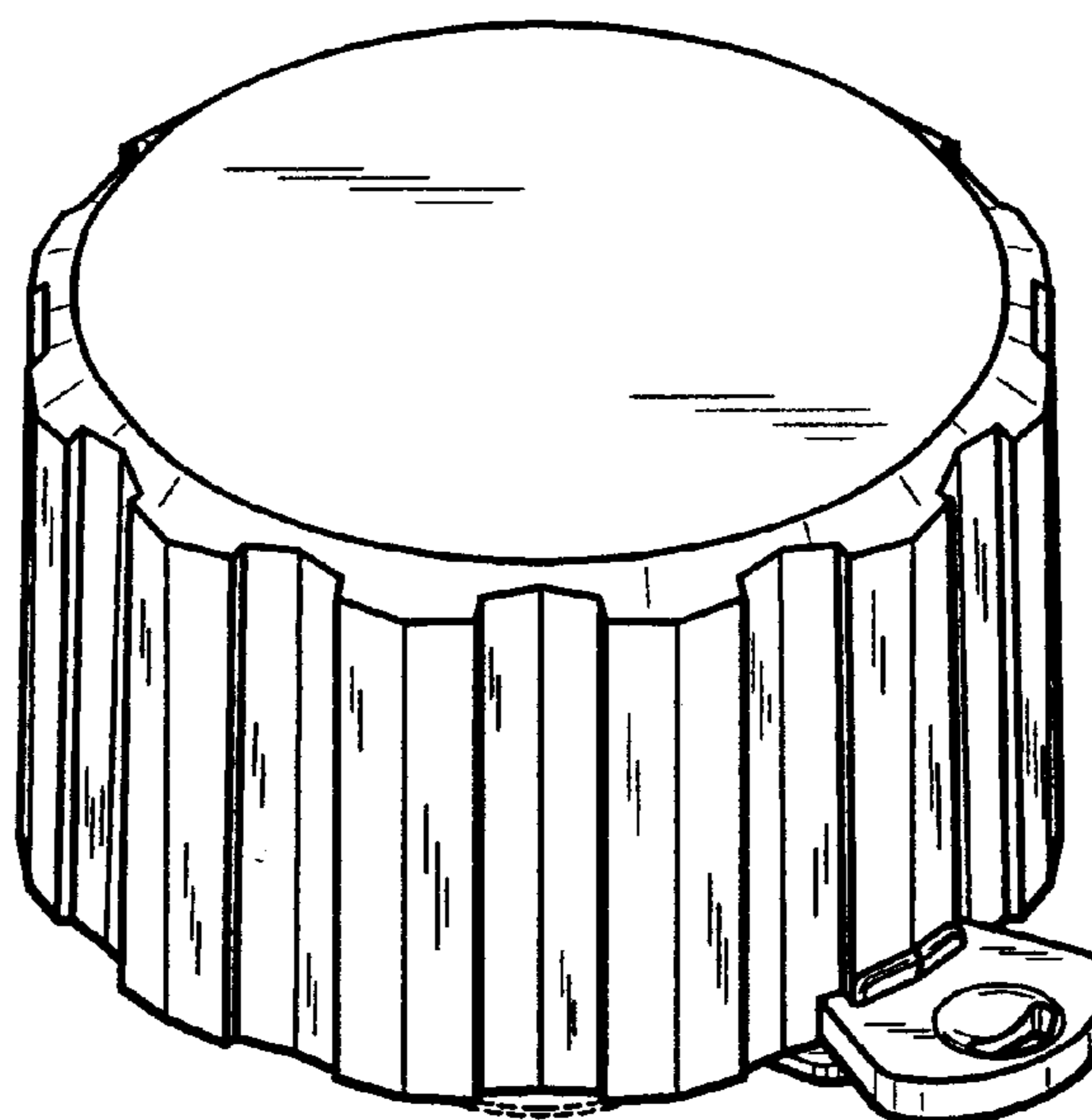


FIG. 1

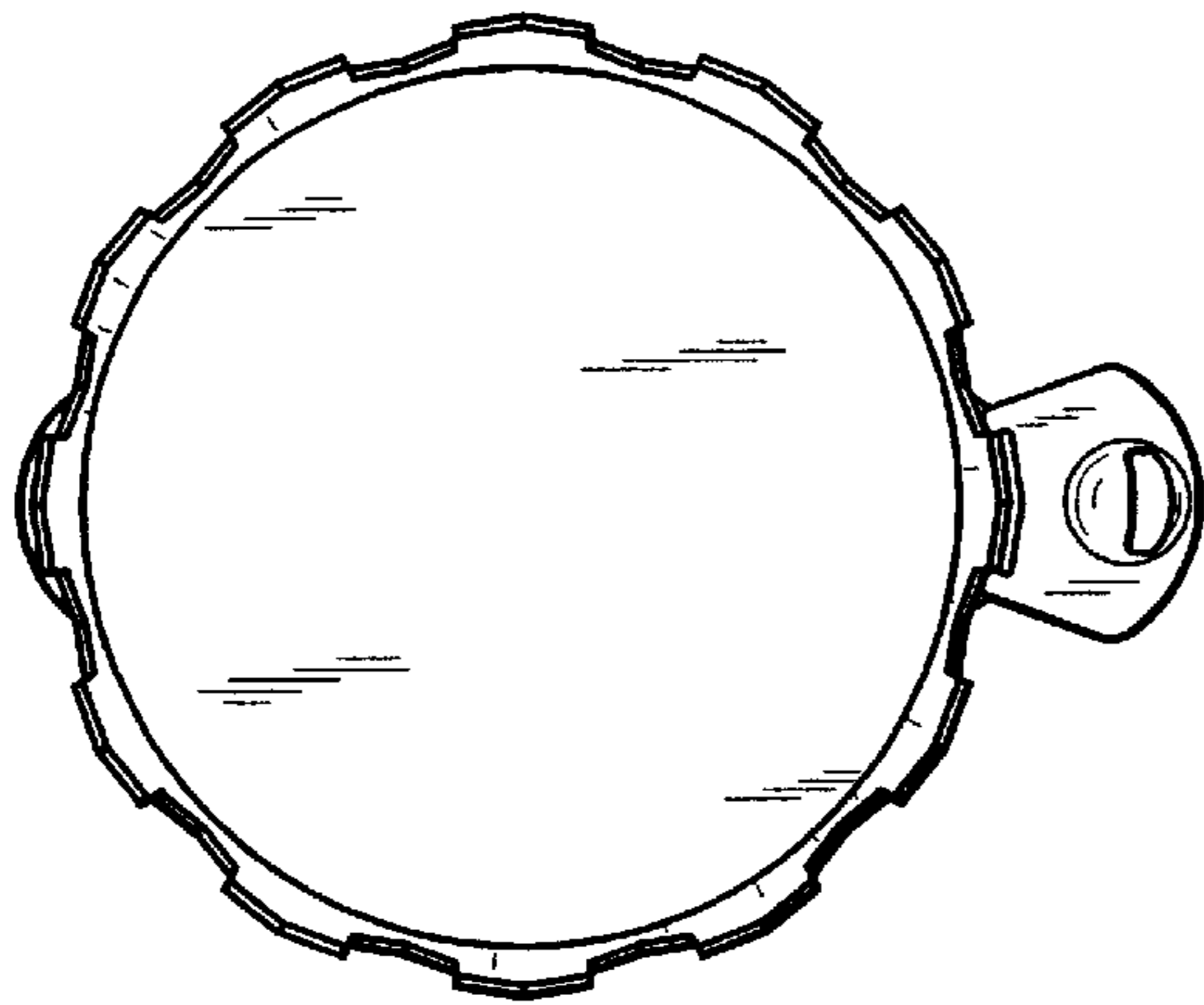
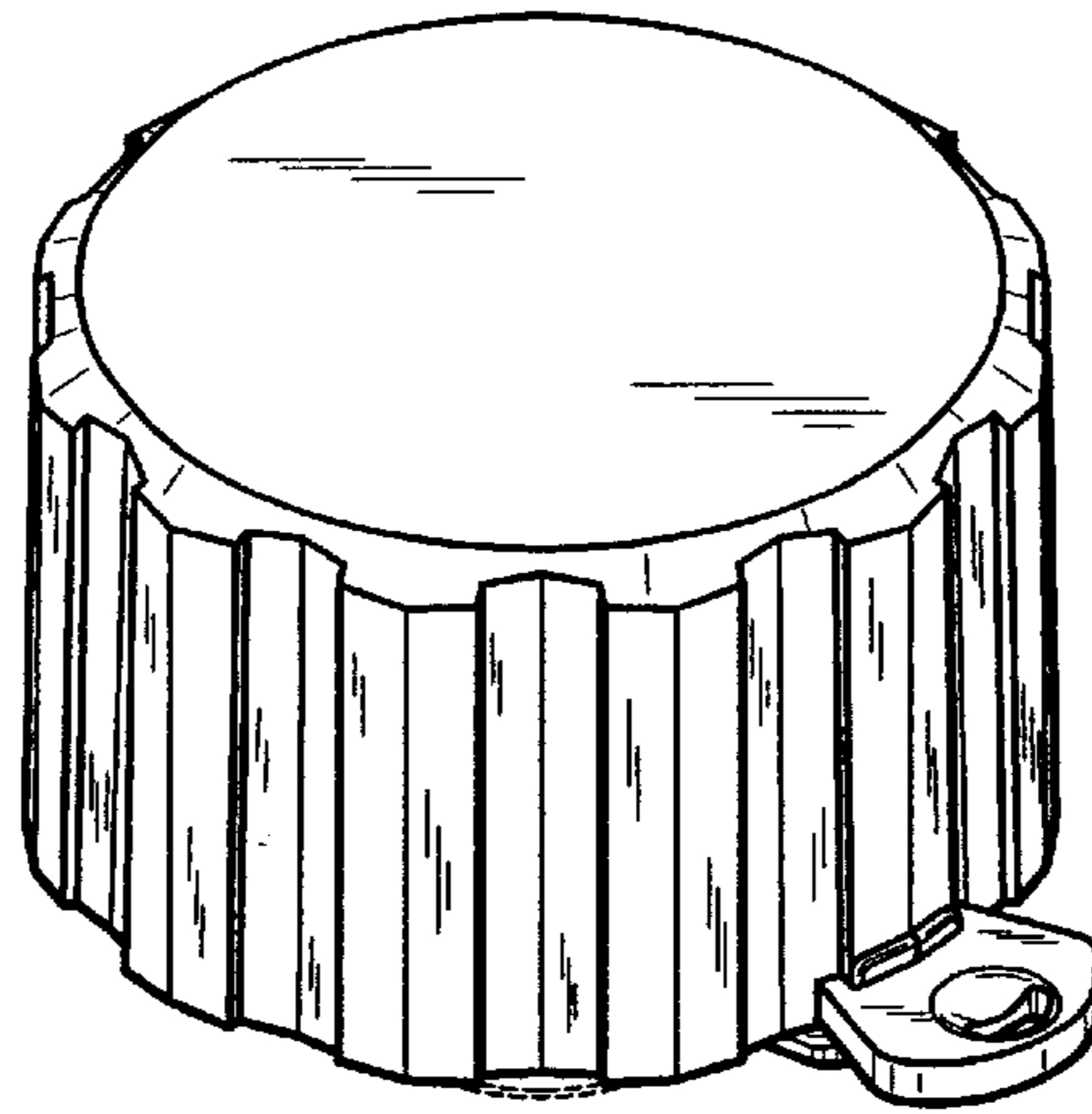


FIG. 3

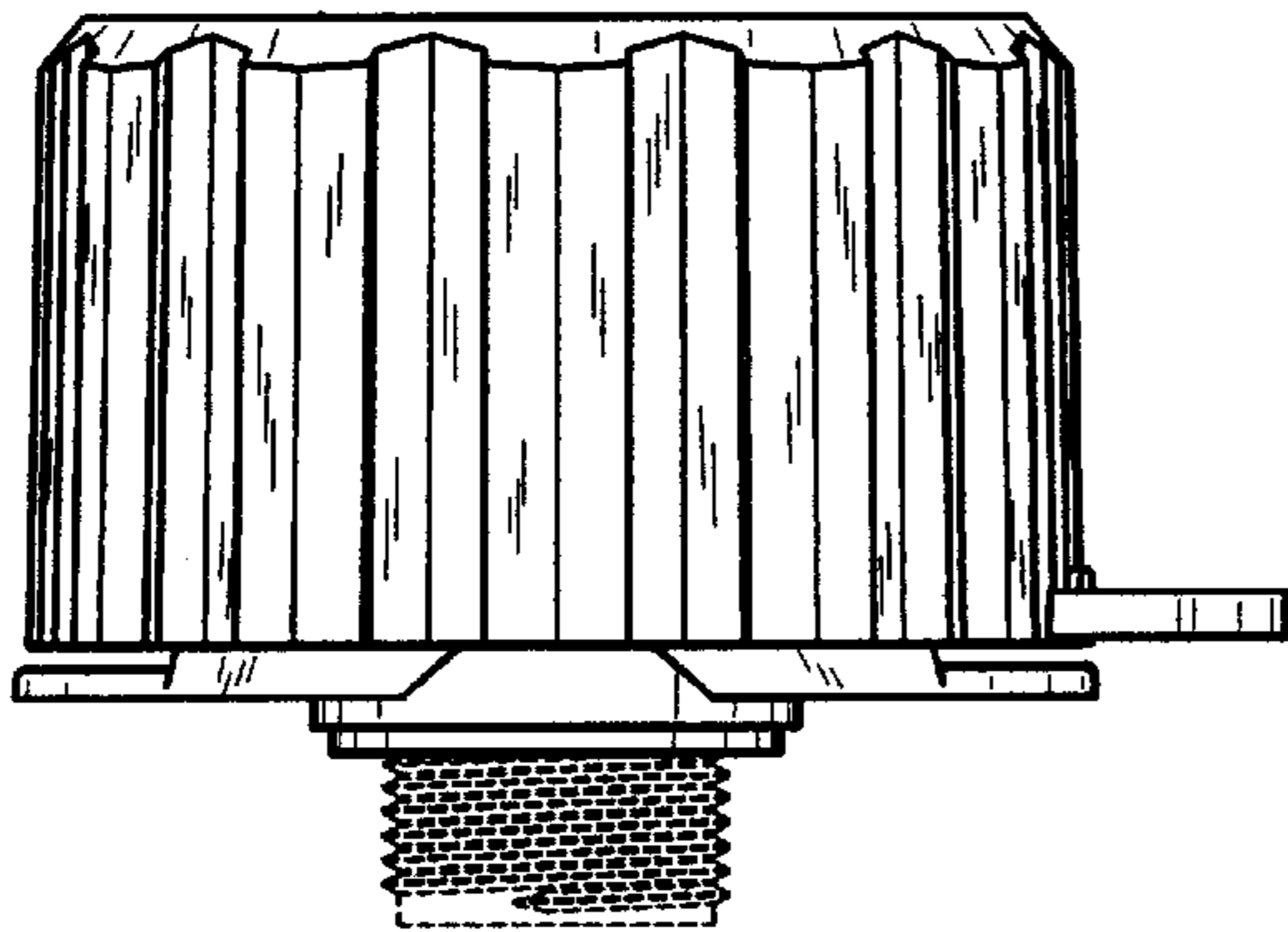


FIG. 2

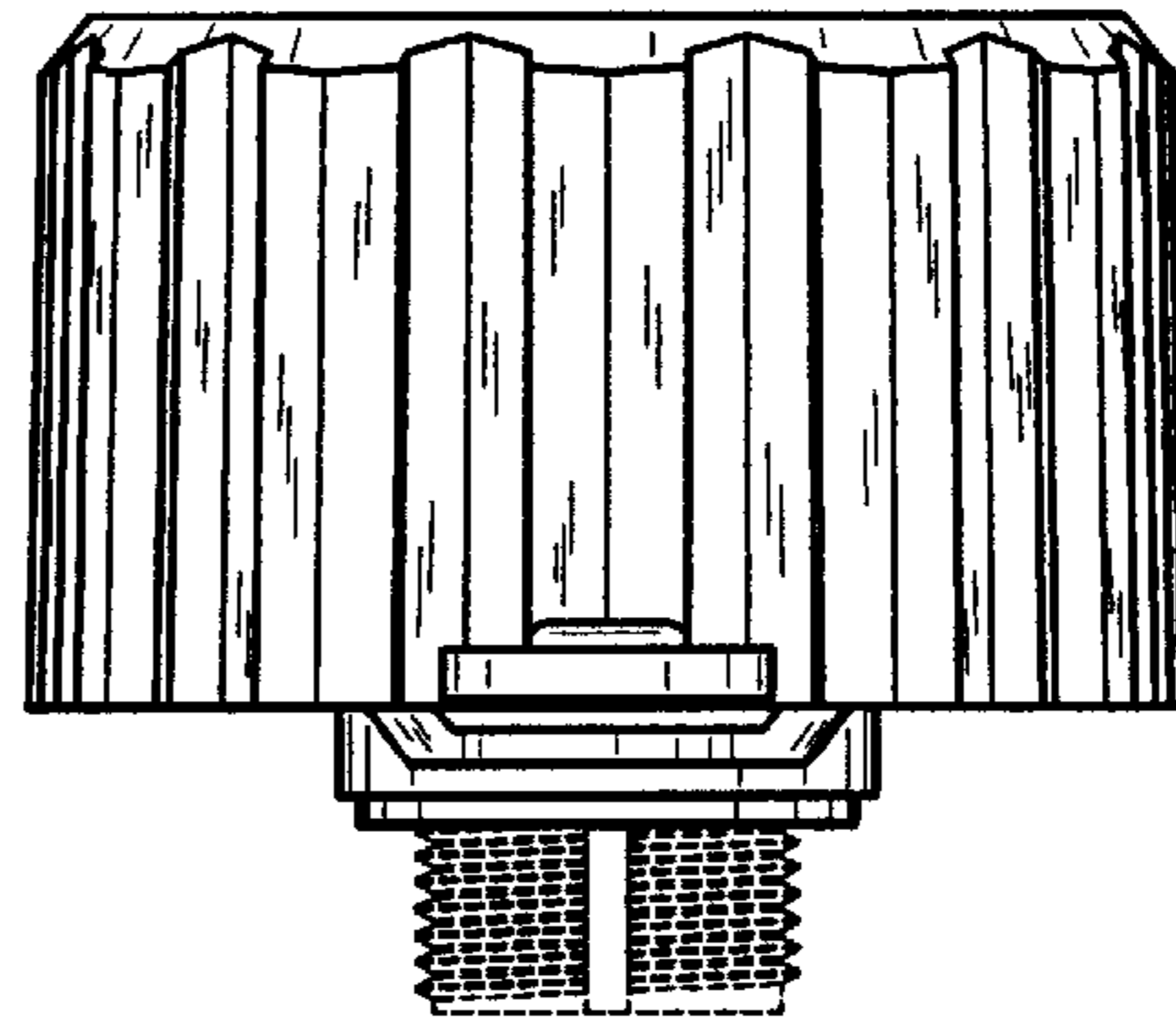


FIG. 4

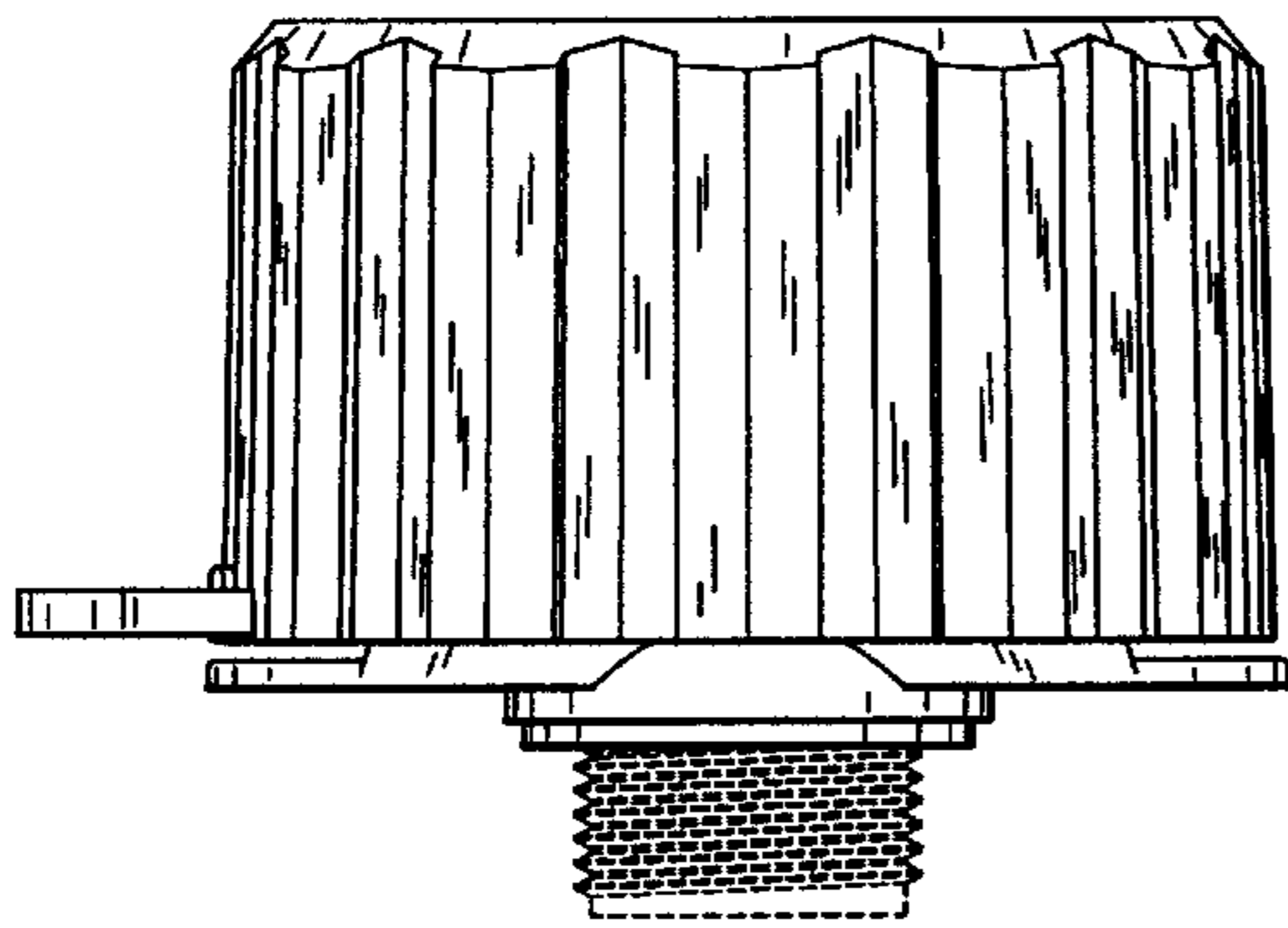


FIG. 6

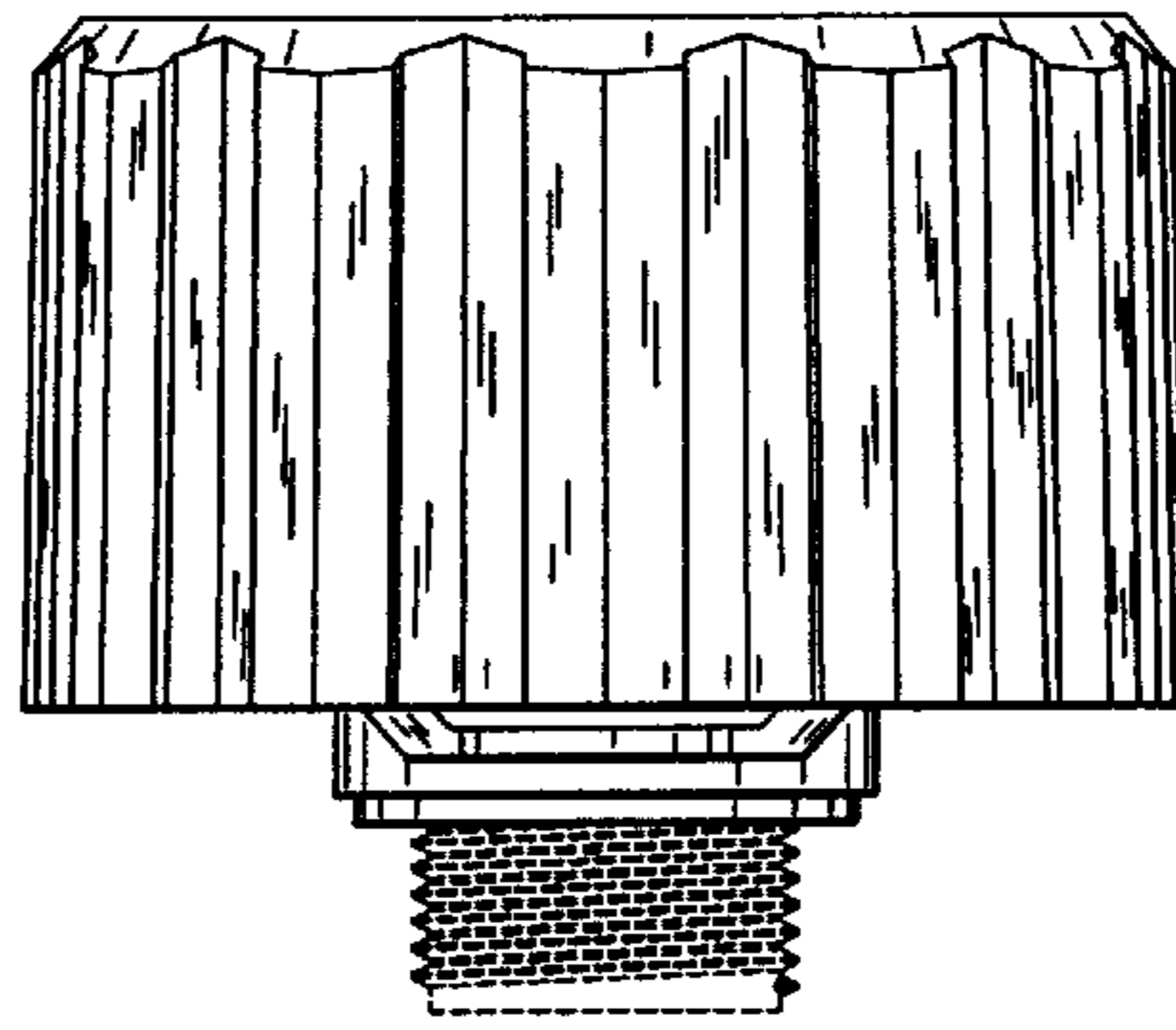


FIG. 5

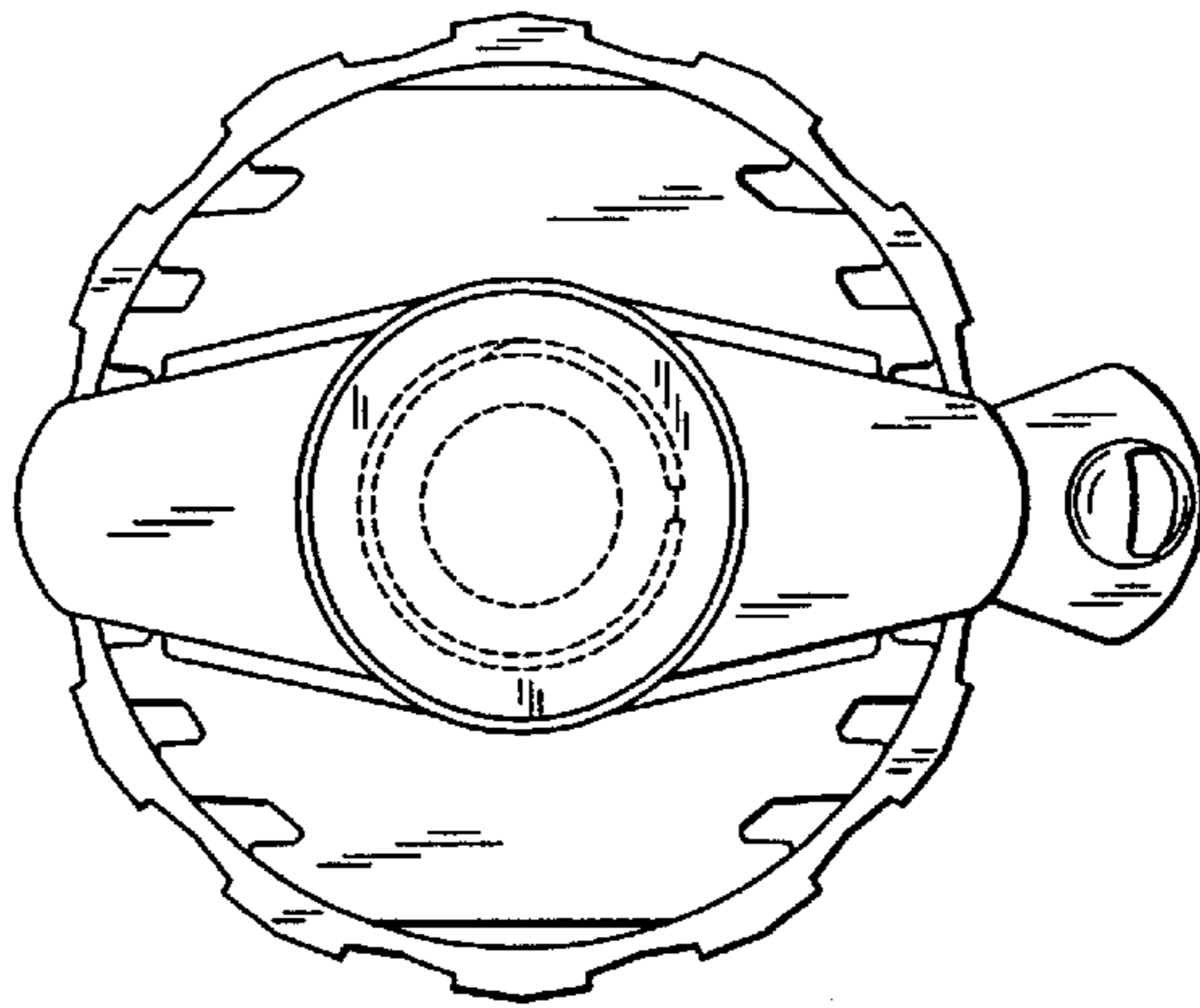


FIG. 7

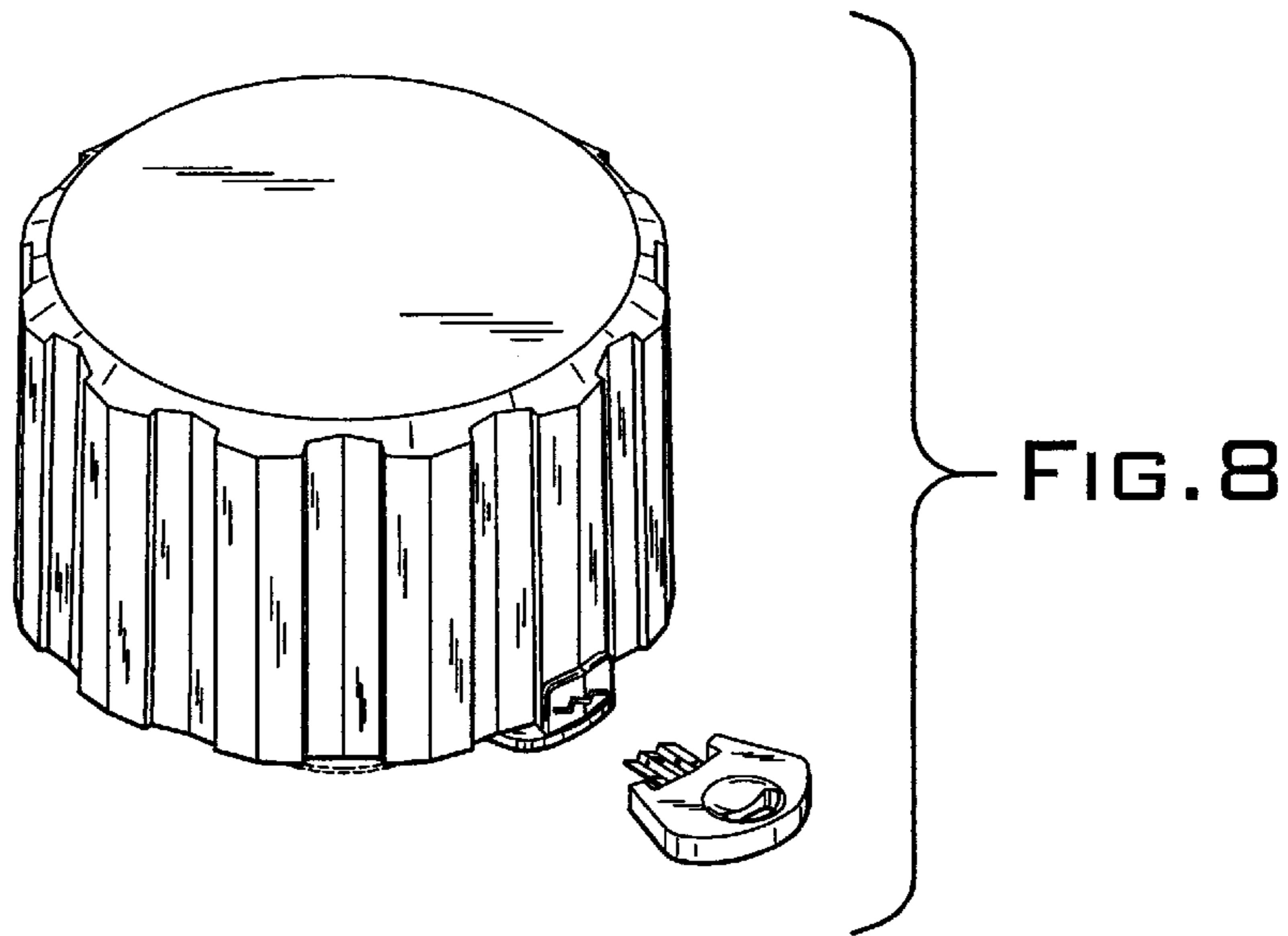


FIG. 8