



US00D518828S

(12) **United States Design Patent**
Liu

(10) **Patent No.:** **US D518,828 S**
(45) **Date of Patent:** **** Apr. 11, 2006**

(54) **MONITOR SUPPORT DEVICE**

(76) Inventor: **Jan Ban Liu**, P.O. Box 10-69, Chong
Ho, Taipei (TW)

(**) Term: **14 Years**

(21) Appl. No.: **29/211,494**

(22) Filed: **Aug. 18, 2004**

(51) **LOC (8) Cl.** **08-07**

(52) **U.S. Cl.** **D14/451; D6/477**

(58) **Field of Classification Search** 108/116,
108/193, 59, 50.01, 50.02, 92; D14/451,
D14/447; D6/477, 430, 425, 484, 480; 312/194-96,
312/208.1, 223.3

See application file for complete search history.

(56) **References Cited**

U.S. PATENT DOCUMENTS

- 3,117,392 A * 1/1964 Junkunc 248/188.3
- 4,343,245 A * 8/1982 Edwards 108/193
- 5,161,868 A * 11/1992 Hooser 312/223.4
- 5,904,104 A * 5/1999 Yu 108/116

- 6,012,788 A * 1/2000 Marschand et al. 312/223.3
- D424,772 S * 5/2000 Mullen D34/17
- D442,805 S * 5/2001 McDiarmid D6/477
- 6,443,543 B1 * 9/2002 Chiang 312/223.3

* cited by examiner

Primary Examiner—Alan P. Douglas
Assistant Examiner—Susan Moon Lee

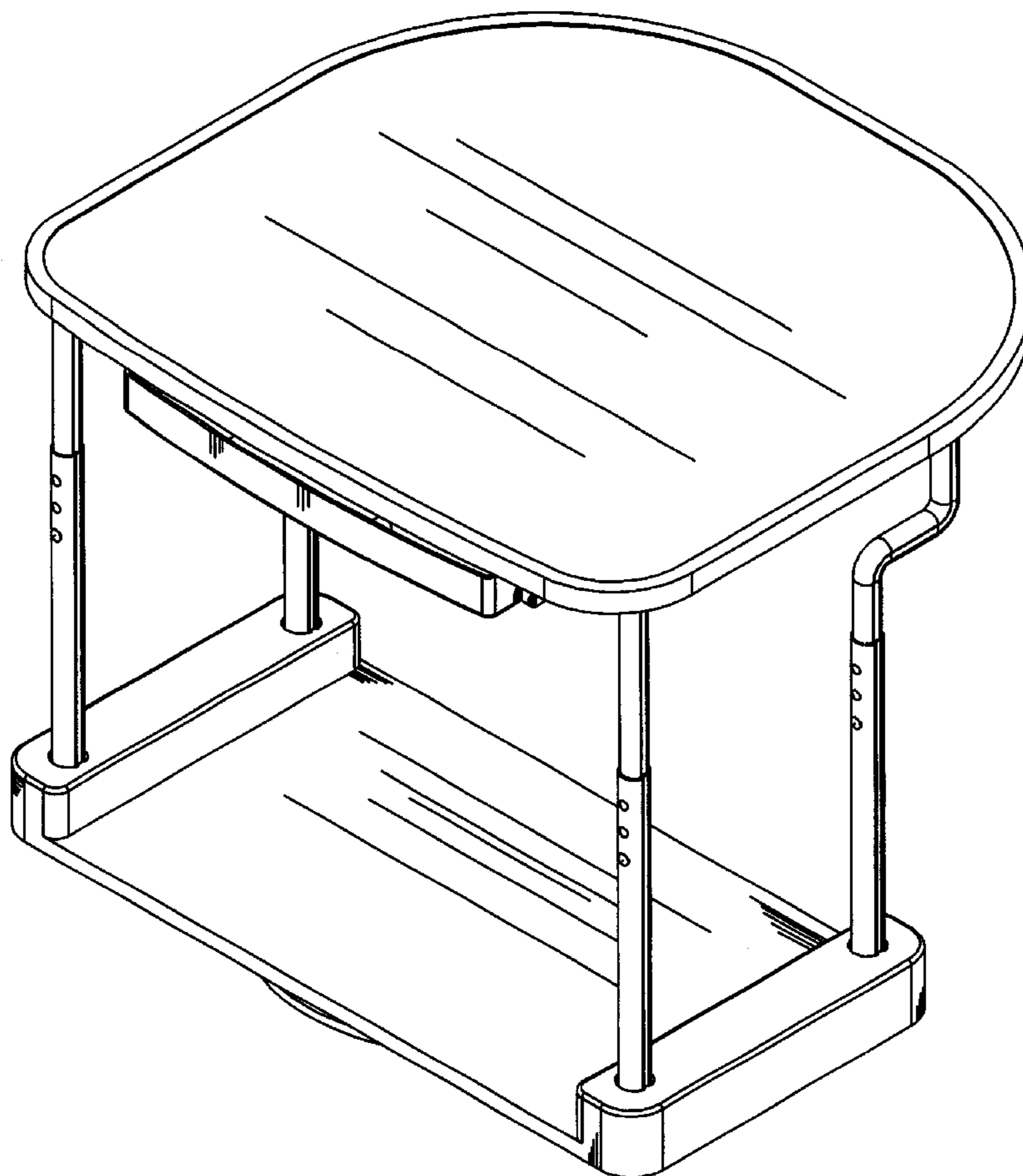
(57) **CLAIM**

The ornamental design for a monitor support device, as shown and described.

DESCRIPTION

FIG. 1 is a perspective view of a monitor support device showing my new design;
FIG. 2 is a front elevational view thereof;
FIG. 3 is a rear elevational view thereof;
FIG. 4 is a top plan view thereof;
FIG. 5 is a bottom plan view thereof;
FIG. 6 is a left side elevational view thereof; and,
FIG. 7 is a right side elevational view thereof.

1 Claim, 7 Drawing Sheets



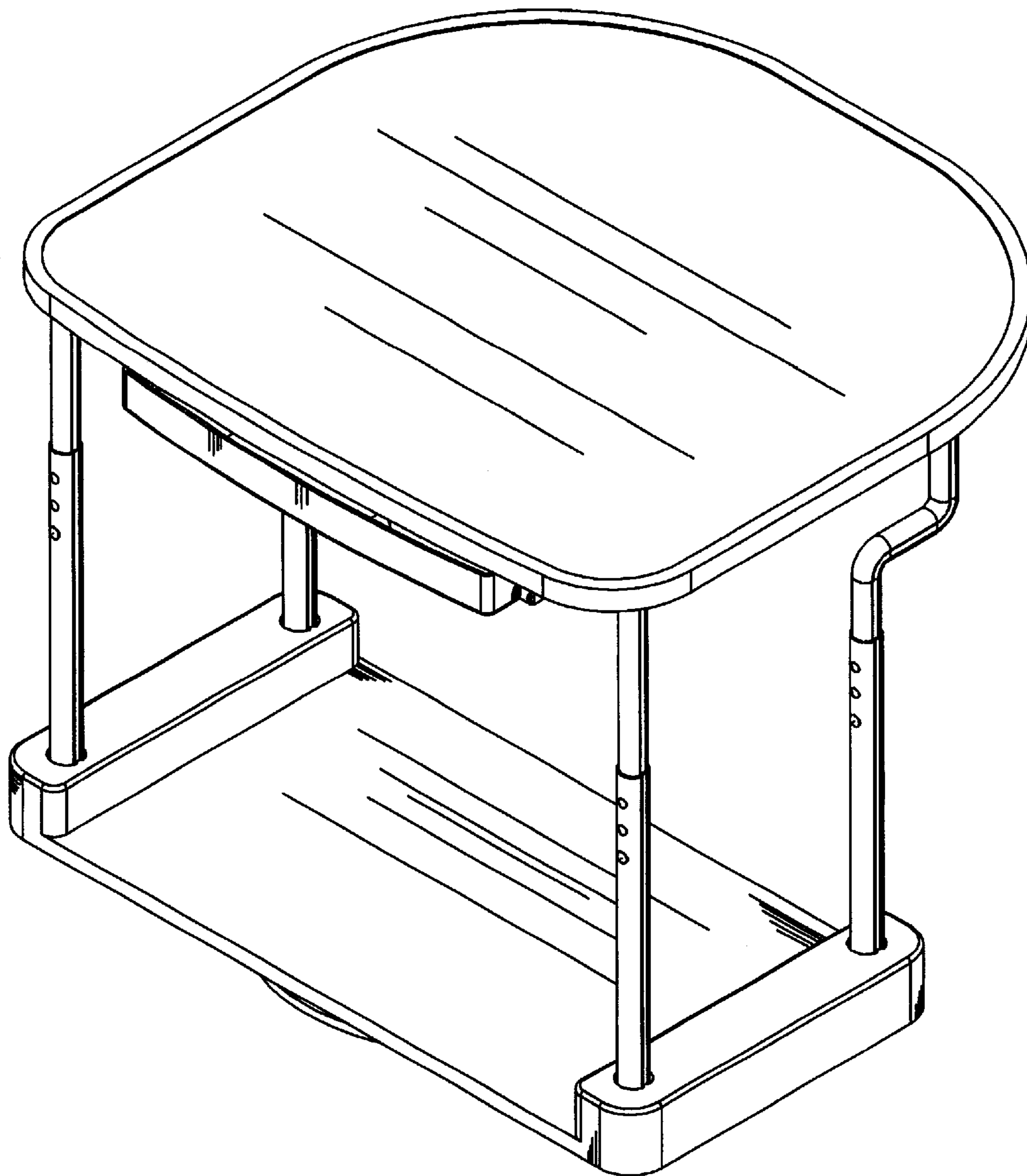


Fig. 1

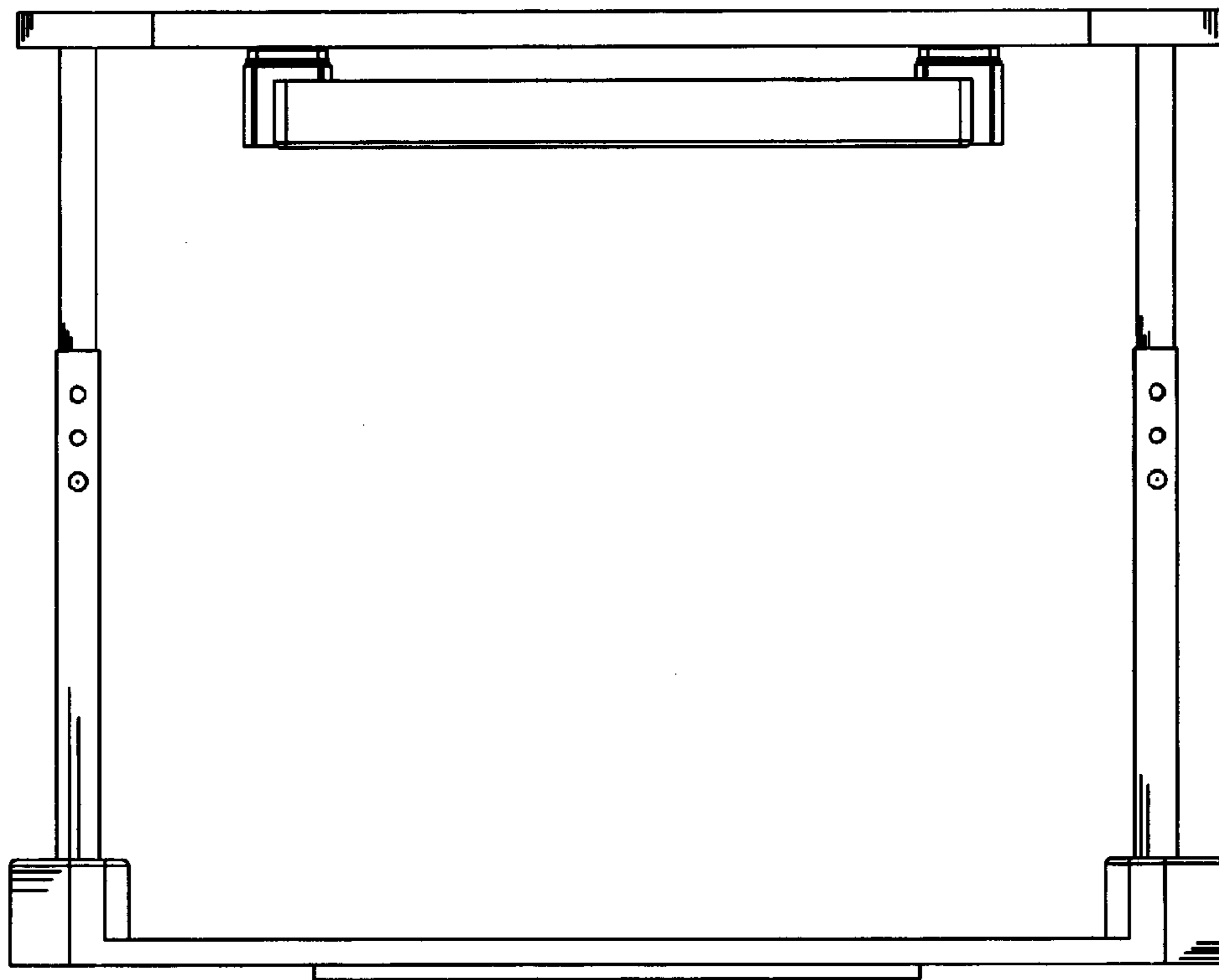


Fig. 2

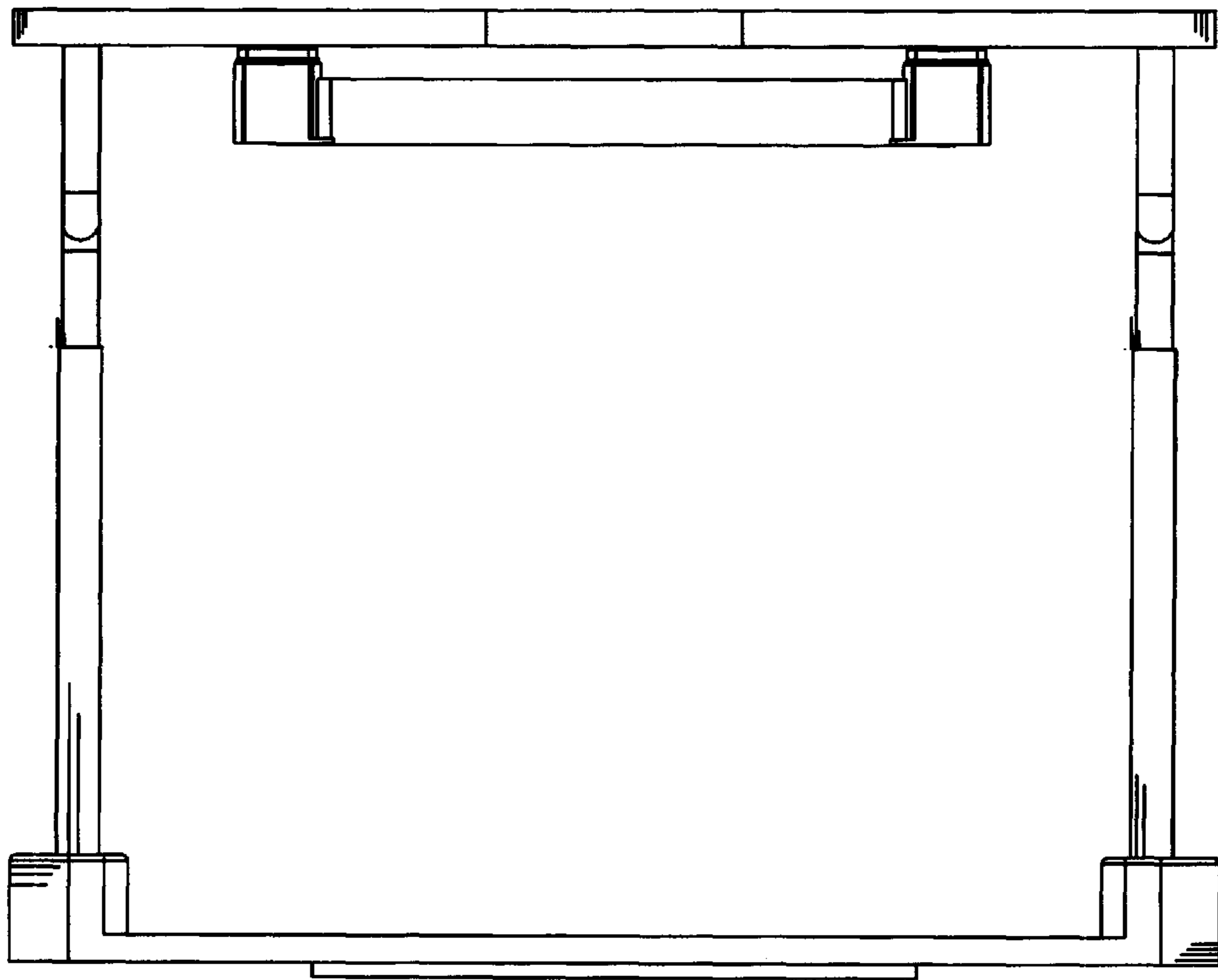


Fig. 3

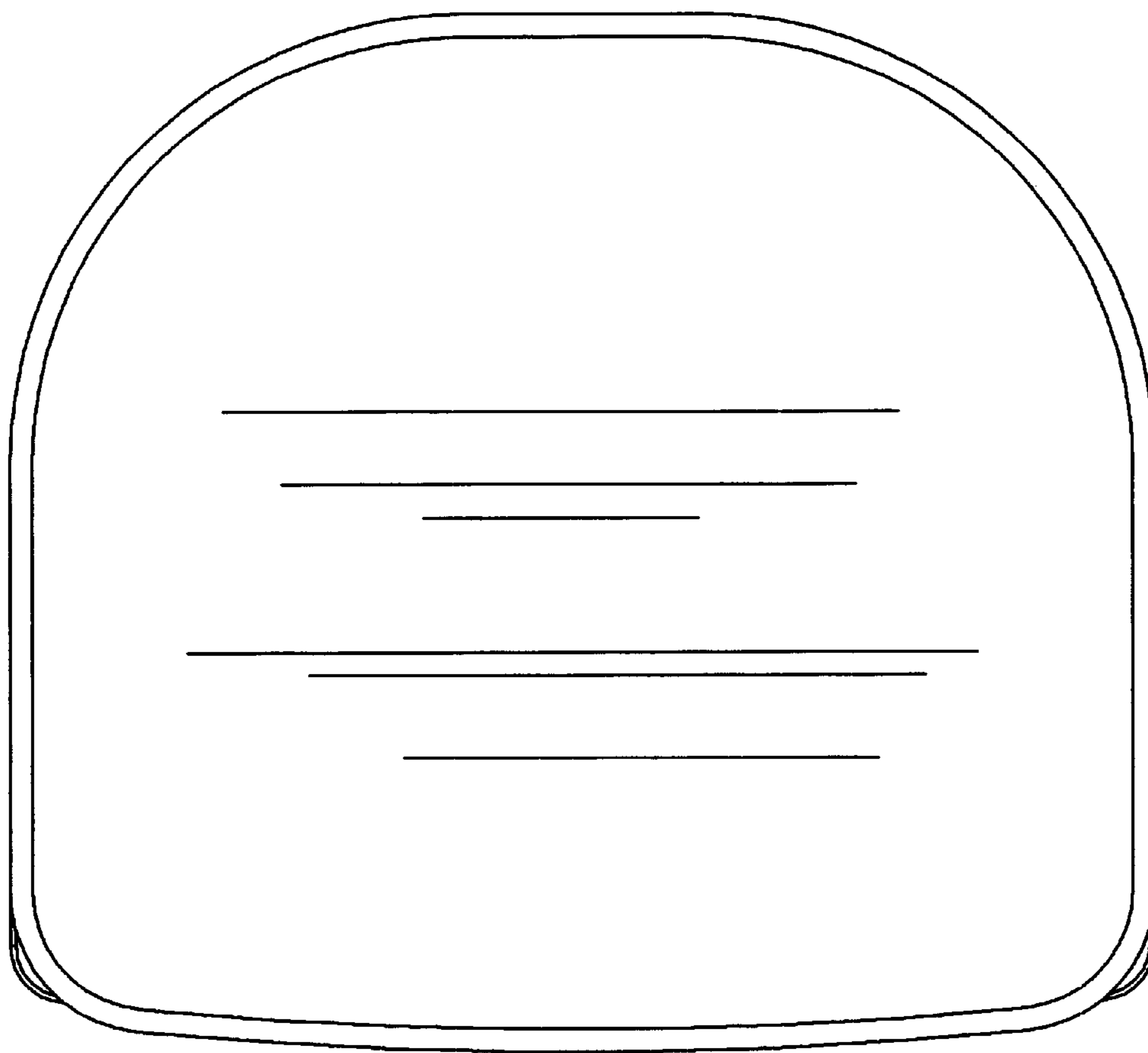


Fig. 4

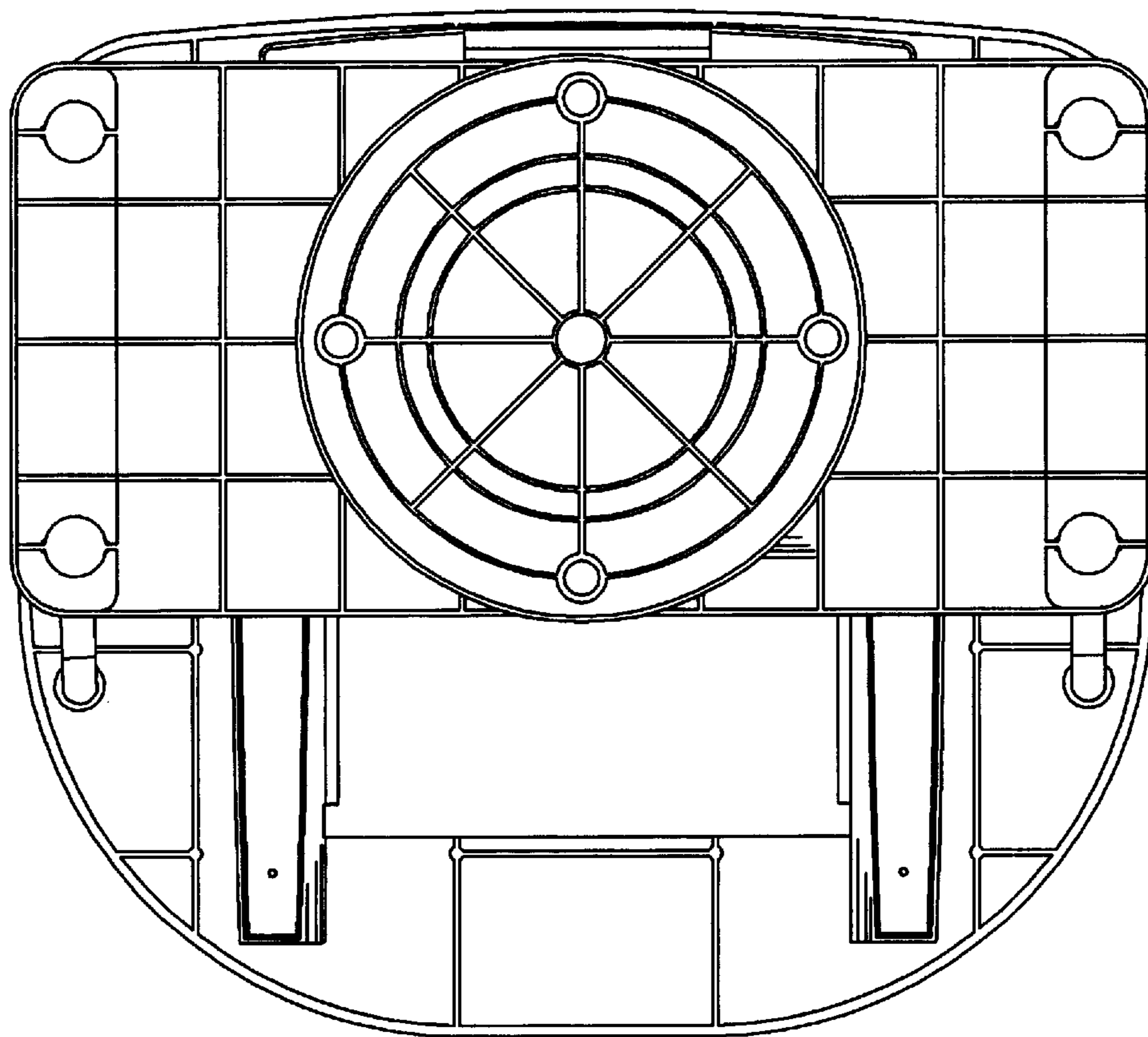


Fig. 5

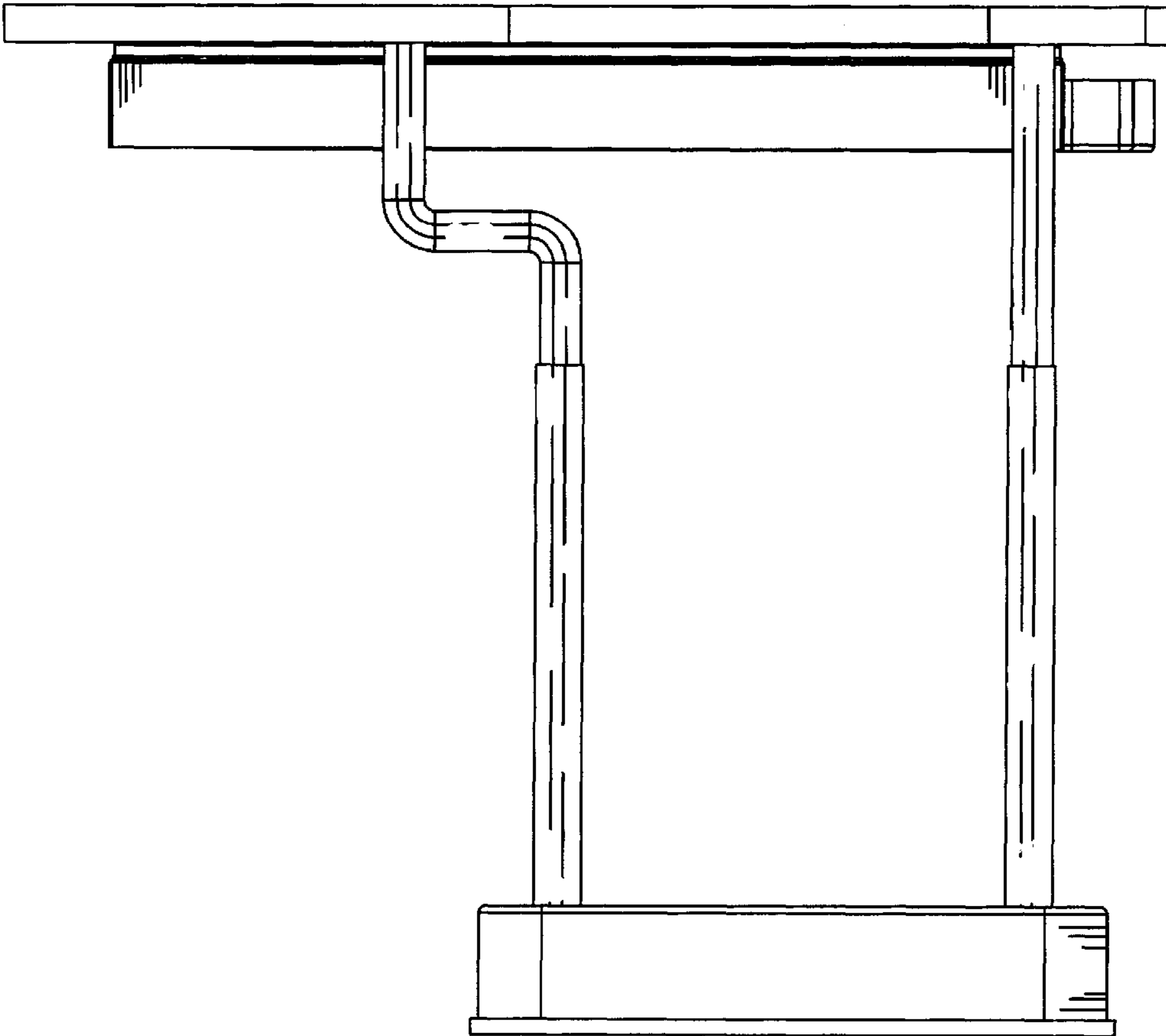


Fig. 6

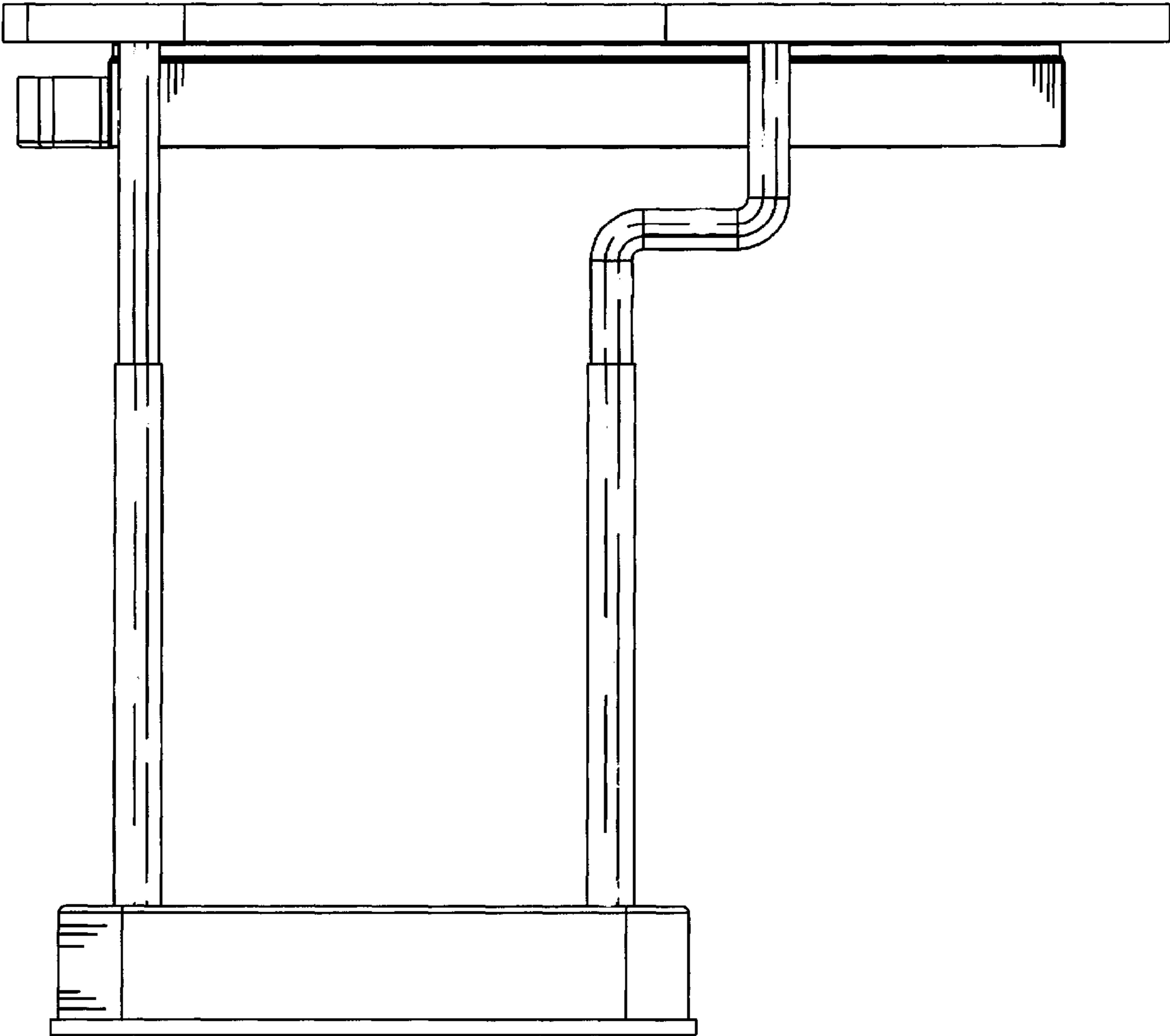


Fig. 7