

US00D518827S

(12) **United States Design Patent**  
**McClelland, II et al.**

(10) **Patent No.:** **US D518,827 S**

(45) **Date of Patent:** **\*\* Apr. 11, 2006**

(54) **COMPUTER HAVING A DRIVE CARRIER**

(75) Inventors: **Belgie B. McClelland, II**, Houston, TX (US); **Keith J. Keuhn**, Spring, TX (US); **Qiang Wang**, Cypress, TX (US); **Darrell W. Poulter**, Middleton, OH (US); **Vidal Gonzales, III**, Cypress, TX (US); **Scott R. Gant**, San Diego, CA (US); **Jamos B. Duke**, Houston, TX (US)

(73) Assignee: **Hewlett-Packard Development Company, L.P.**, Houston, TX (US)

(\*\*) Term: **14 Years**

(21) Appl. No.: **29/209,597**

(22) Filed: **Jul. 19, 2004**

(51) **LOC (8) Cl.** ..... **14-02**

(52) **U.S. Cl.** ..... **D14/439**

(58) **Field of Classification Search** ..... D14/363, D14/366, 367-370, 439; D13/162, 184, 199; 361/680-686; 360/98.01, 98.04  
See application file for complete search history.

(56) **References Cited**

U.S. PATENT DOCUMENTS

4,941,841	A	*	7/1990	Darden et al.	.....	361/685
D399,193	S	*	10/1998	Chang	.....	D14/367
D419,147	S		1/2000	Tanzer et al.		
6,052,278	A		4/2000	Tanzer et al.		
6,154,361	A	*	11/2000	Anderson et al.	.....	361/685
6,247,944	B1		6/2001	Bologna et al.		

6,302,714	B1		10/2001	Bologna et al.		
D455,752	S		4/2002	Gant et al.		
D458,924	S		6/2002	Tsuyuki et al.		
D461,807	S		8/2002	Kuehn et al.		
6,473,300	B1	*	10/2002	Youngquist et al.	.....	361/685
D470,486	S	*	2/2003	Cheng	.....	D14/363
D473,197	S	*	4/2003	Bovell	.....	D13/182
D476,631	S	*	7/2003	Frank et al.	.....	D13/182
D481,393	S	*	10/2003	Alo et al.	.....	D14/439
2003/0011979	A1	*	1/2003	Tanzer et al.	.....	361/685

\* cited by examiner

*Primary Examiner*—Freda S. Nunn

(57) **CLAIM**

The ornamental design for a computer having a drive carrier, as shown and described.

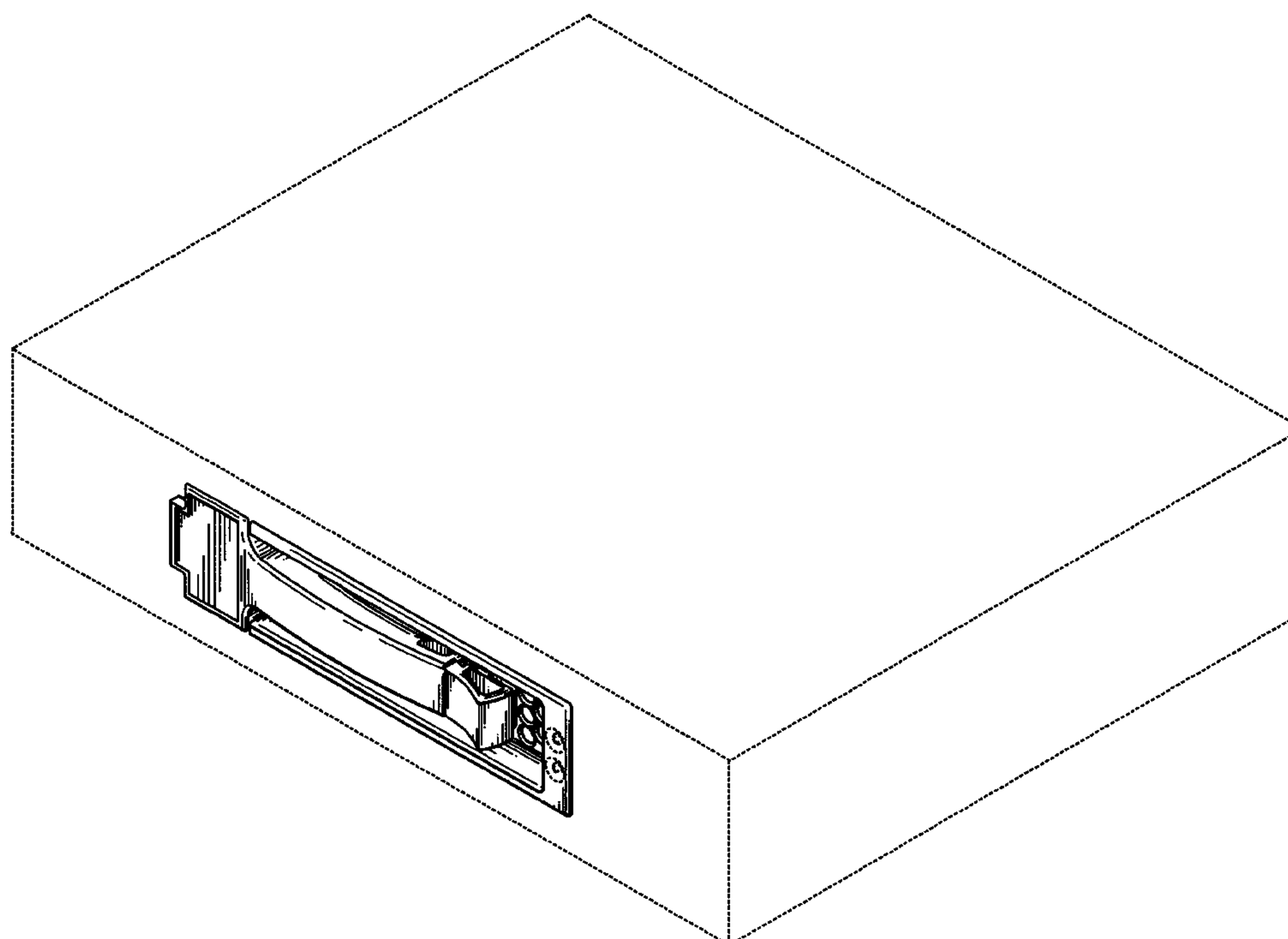
**DESCRIPTION**

The ornamental design for the computer having a drive carrier is illustrated in the accompanying drawings, in which:

FIG. 1 is a perspective view of the design for the computer having a drive carrier, wherein broken lines illustrate environmental features including the computer in which the drive carrier removably supports a drive; and

FIG. 2 is a partial front elevational view of the design for the computer having a drive carrier of FIG. 1, wherein broken lines illustrate environmental features including the computer in which the drive carrier removably supports a drive. In these drawings, the solid lines illustrate the claimed ornamental design, whereas the broken lines illustrate environmental features that form no part of the claimed design.

**1 Claim, 2 Drawing Sheets**



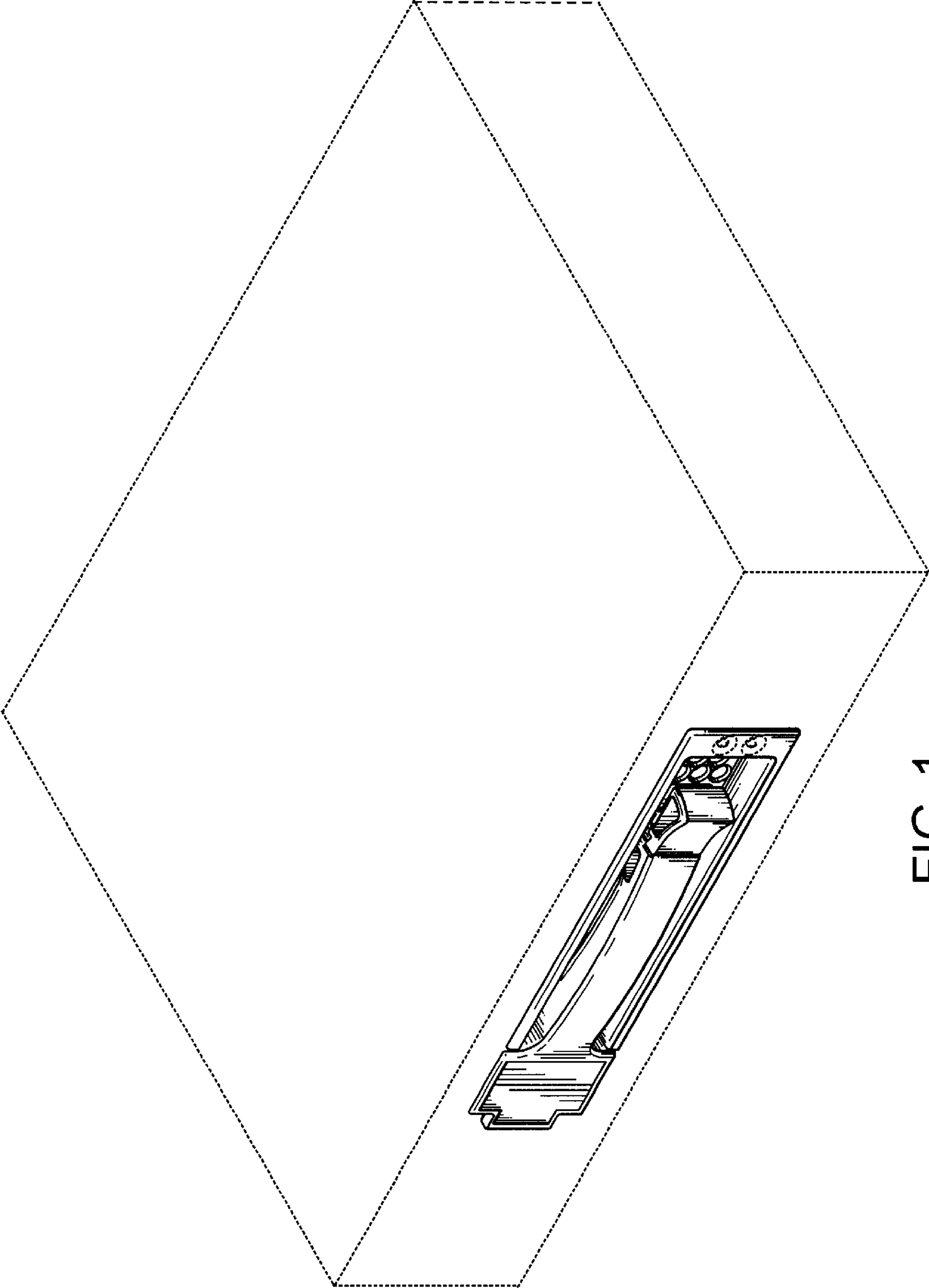


FIG. 1

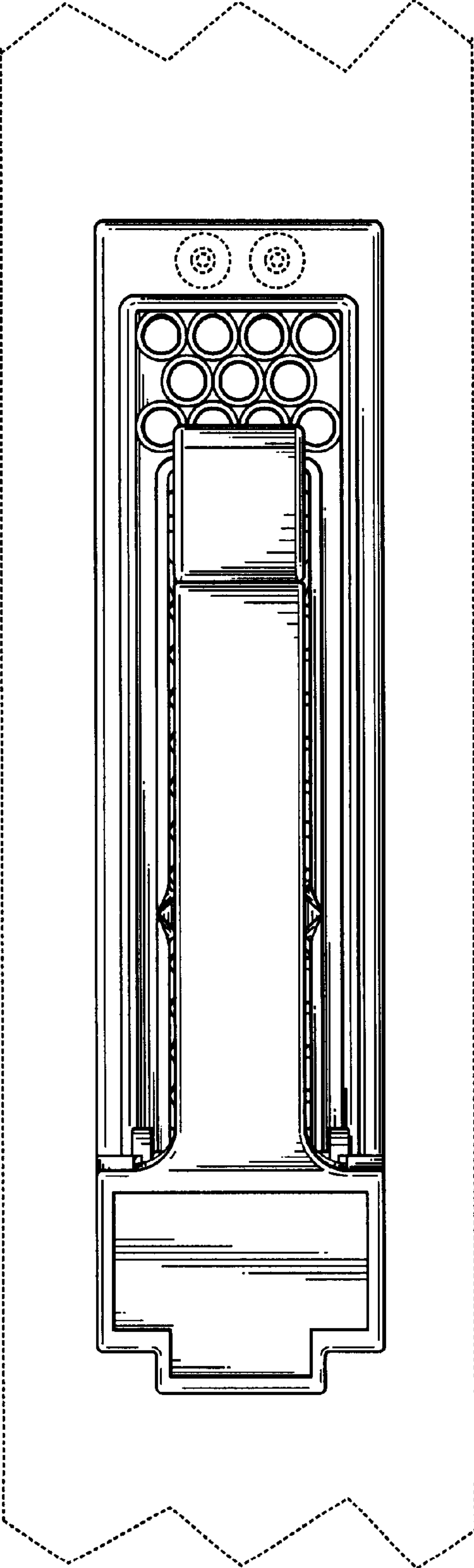


FIG. 2