



US00D51823S

(12) **United States Design Patent**
Huang

(10) **Patent No.:** **US D518,823 S**

(45) **Date of Patent:** **** Apr. 11, 2006**

(54) **REMOVABLE CARD READER**

(75) Inventor: **Eugene Huang**, Taipei (TW)

(73) Assignee: **Omega Technology of Taiwan Inc.**,
Taipei (TW)

(**) Term: **14 Years**

(21) Appl. No.: **29/204,017**

(22) Filed: **Apr. 23, 2004**

(51) **LOC (8) Cl.** **14-02**

(52) **U.S. Cl.** **D14/367**

(58) **Field of Classification Search** D14/385,
D14/383, 368, 388, 367, 432, 441, 356; 361/600,
361/737, 683-686, 724-727; 369/75.11,
369/272.1, 273; 710/300, 301
See application file for complete search history.

(56) **References Cited**

U.S. PATENT DOCUMENTS

- D322,965 S * 1/1992 Silverstein et al. D14/367
- 5,572,402 A * 11/1996 Jeong 361/685
- D381,321 S * 7/1997 Yamauchi et al. D14/432

- 5,724,332 A * 3/1998 Ogusu 720/628
- 6,006,987 A * 12/1999 Hoolhorst 235/375
- 6,259,598 B1 * 7/2001 Beaman et al. 361/683
- 6,373,691 B1 * 4/2002 Chen 361/683
- 2002/0171999 A1 * 11/2002 Huang 361/600

* cited by examiner

Primary Examiner—Alan P. Douglas

Assistant Examiner—Susan Moon Lee

(74) *Attorney, Agent, or Firm*—Bacon & Thomas, PLLC

(57) **CLAIM**

The ornamental design for a removable card reader, as shown.

DESCRIPTION

FIG. 1 is a top frontal perspective view of an embodiment showing my new design.

FIG. 2 is a front elevational view thereof;

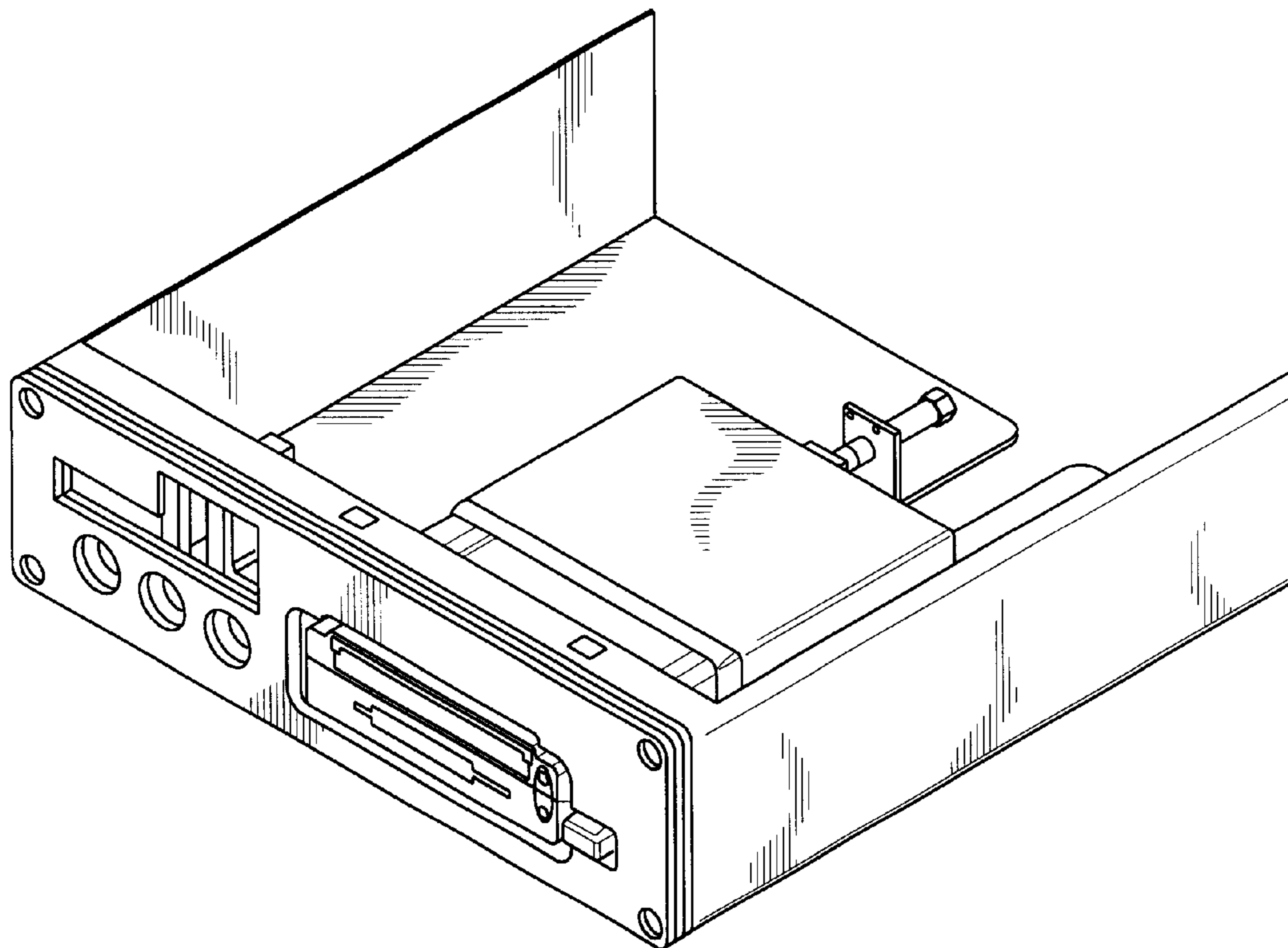
FIG. 3 is a left side view thereof;

FIG. 4 is a right side view thereof;

FIG. 5 is a top plan view thereof; and,

FIG. 6 is a bottom view thereof.

1 Claim, 6 Drawing Sheets



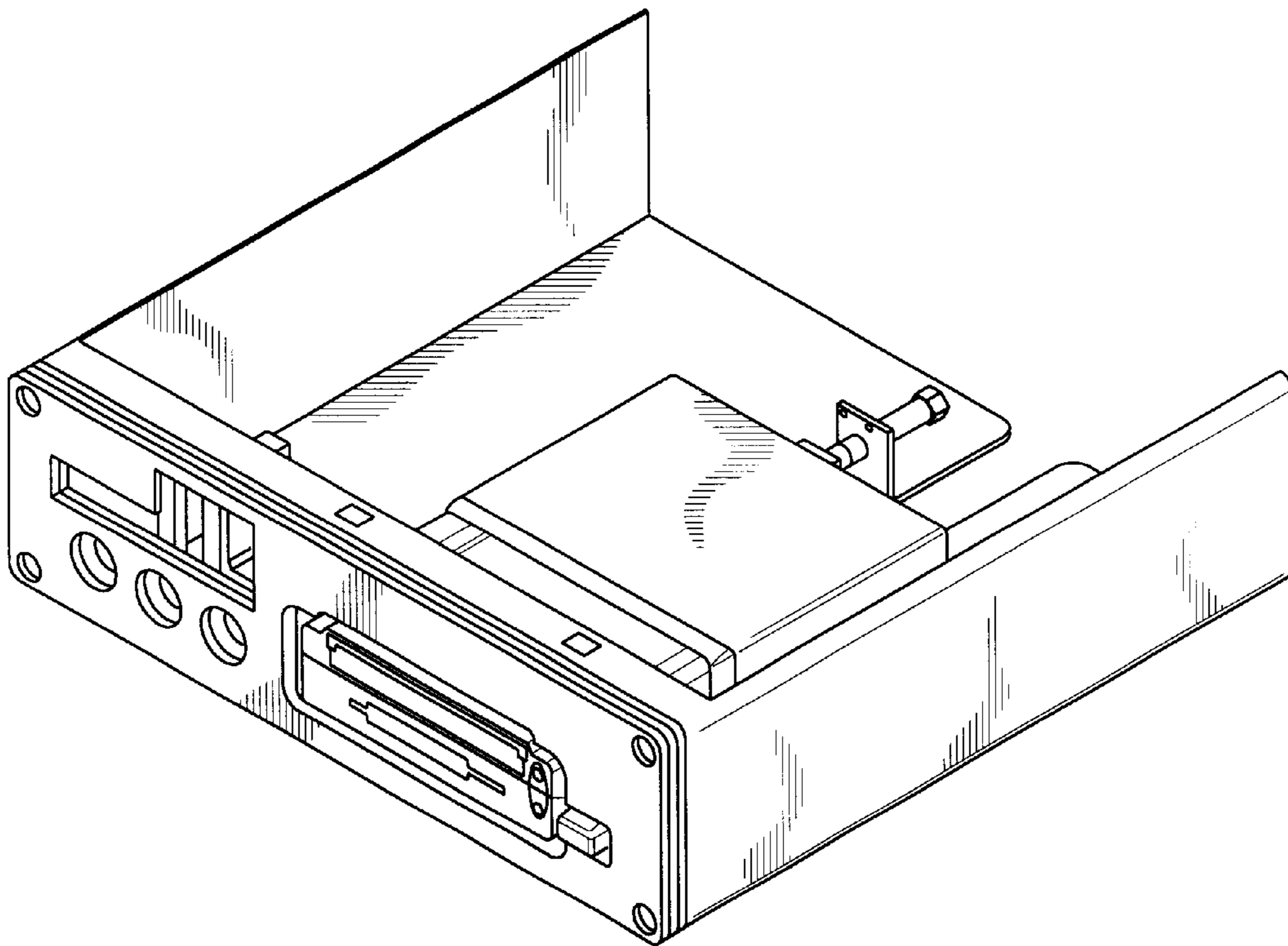


FIG. 1

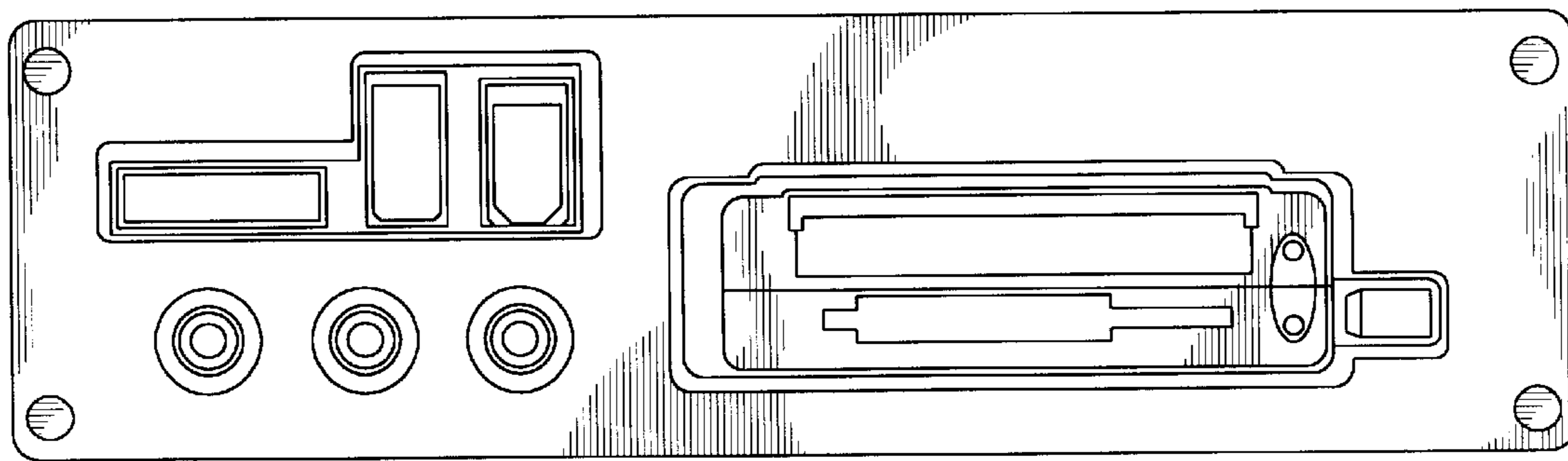


FIG. 2

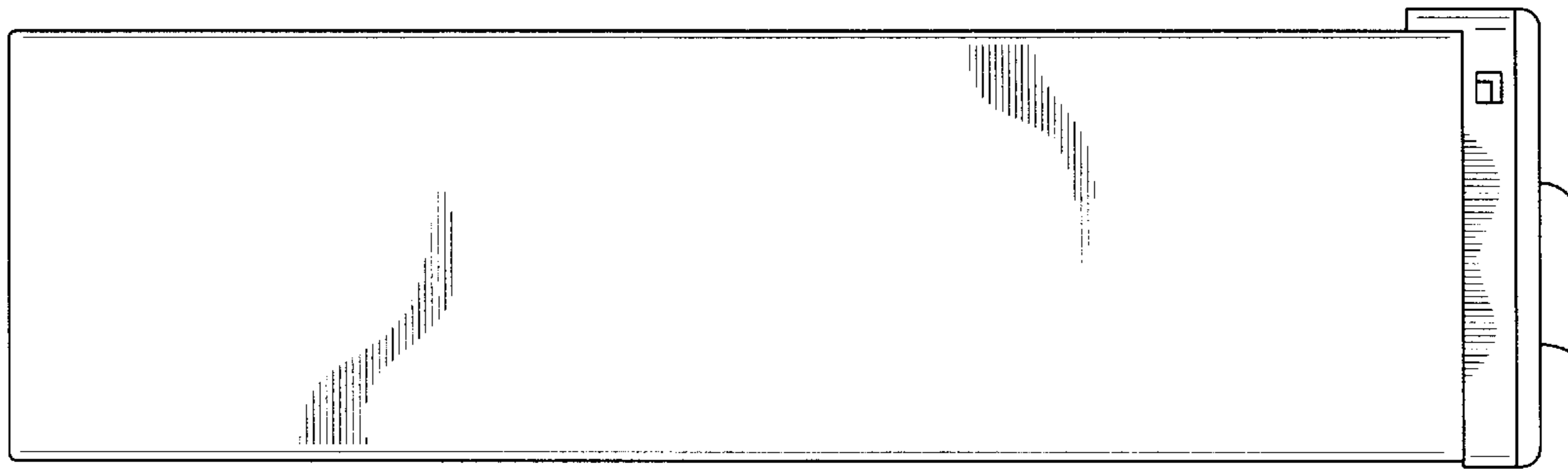


FIG. 3

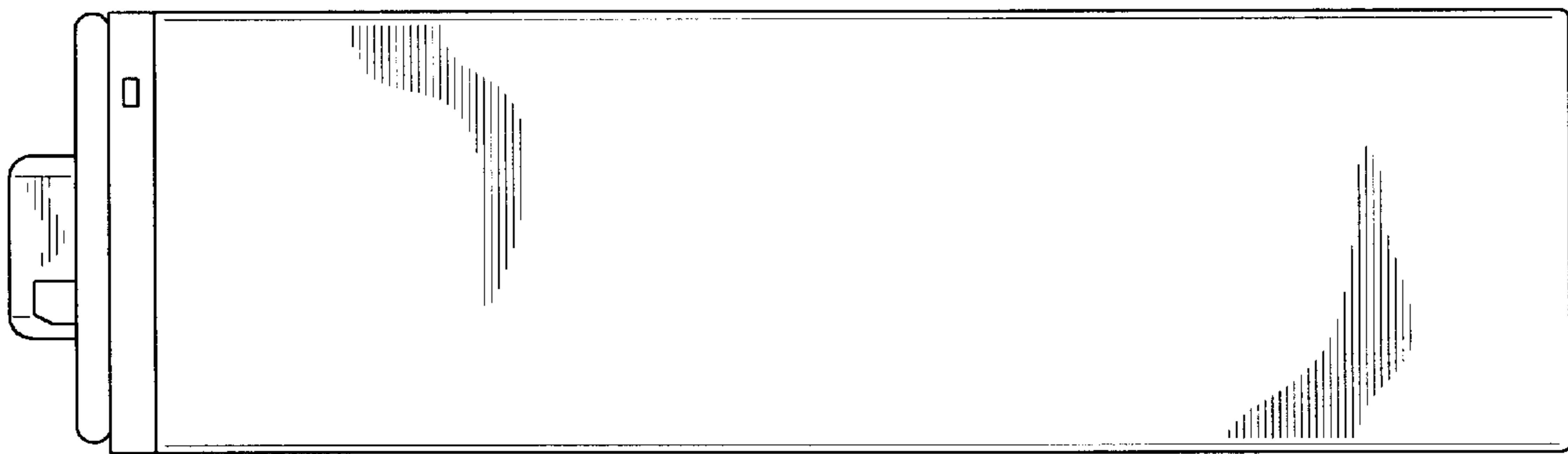


FIG. 4

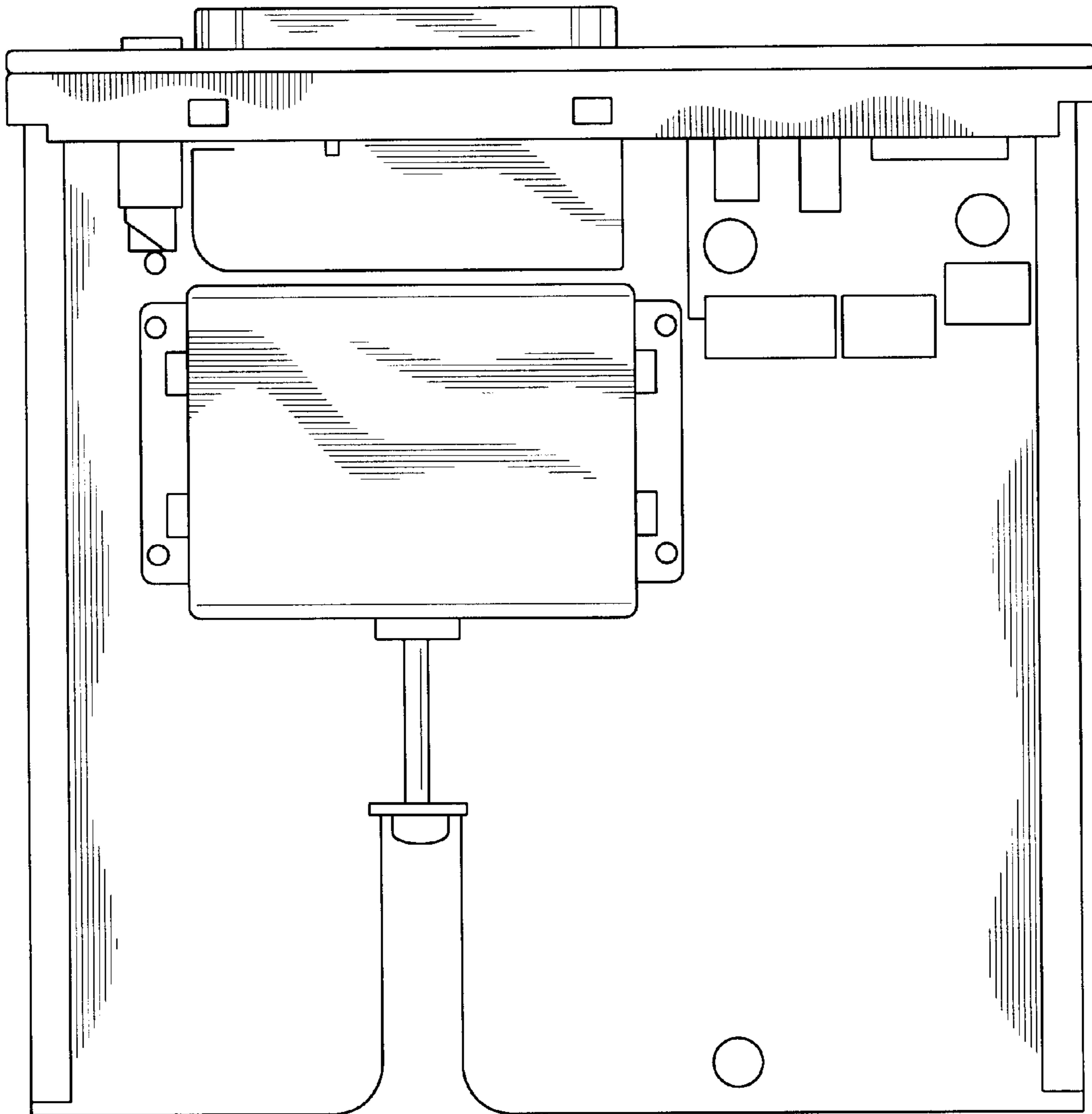


FIG. 5

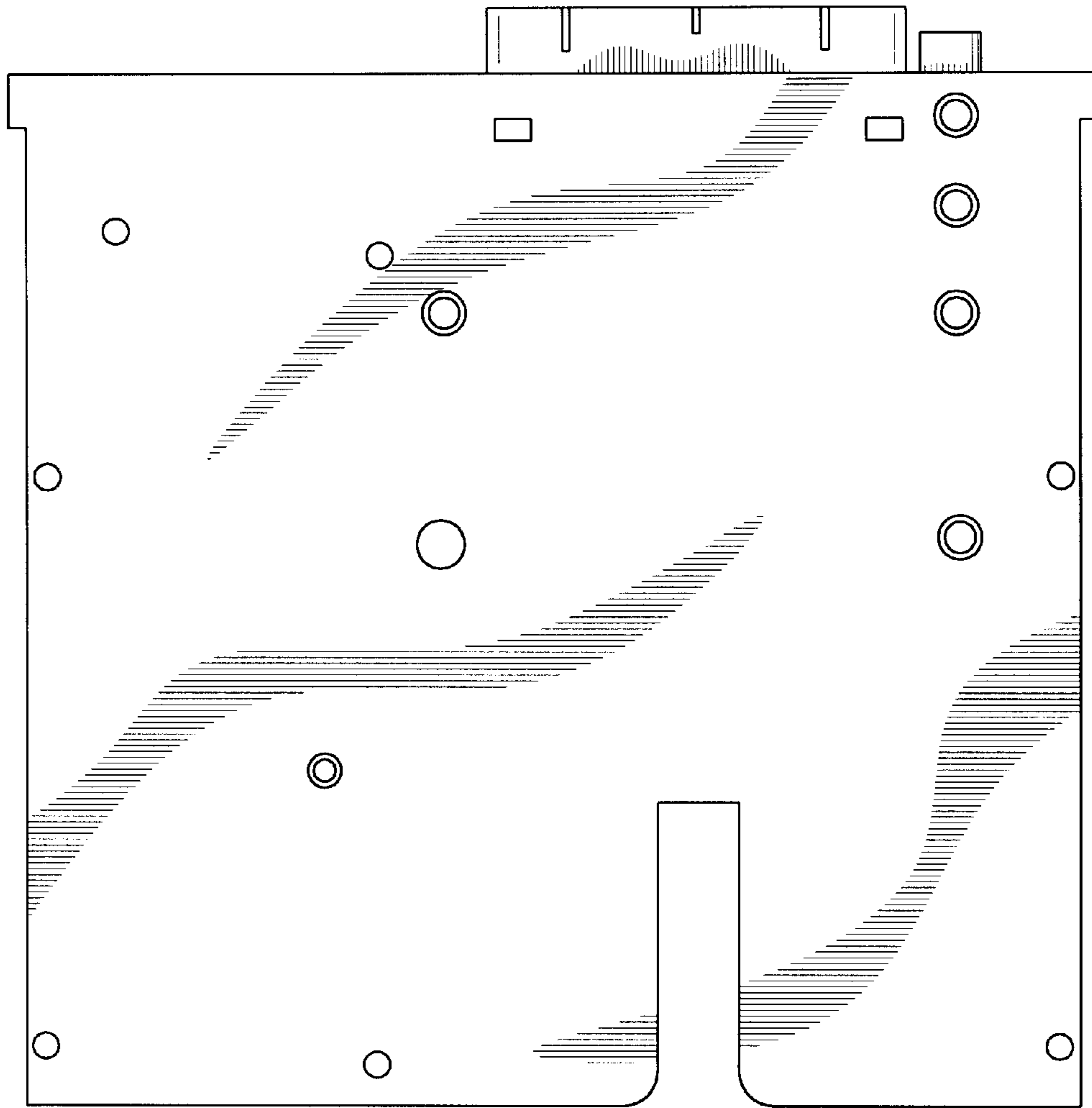


FIG. 6