



US00D518822S

(12) **United States Design Patent**  
**Fujimura**

(10) **Patent No.:** **US D518,822 S**

(45) **Date of Patent:** **\*\* Apr. 11, 2006**

(54) **OPTICAL DISC MEMORY DEVICE**  
(75) Inventor: **Nobuhiko Fujimura**, Tokyo (JP)  
(73) Assignee: **Teac Corporation**, Tokyo (JP)  
(\*\*) Term: **14 Years**

D372,228 S \* 7/1996 Sawada et al. .... D14/366  
D382,863 S \* 8/1997 Horiuchi et al. .... D14/366  
D415,116 S \* 10/1999 Creutz et al. .... D13/182  
D478,588 S \* 8/2003 Watanabe et al. .... D14/366  
D481,019 S \* 10/2003 Storti et al. .... D14/125

(21) Appl. No.: **29/210,877**  
(22) Filed: **Aug. 5, 2004**

**FOREIGN PATENT DOCUMENTS**

JP D2001-29068 10/2001

\* cited by examiner

*Primary Examiner*—Freda S. Nunn  
(74) *Attorney, Agent, or Firm*—J. C. Patents

(30) **Foreign Application Priority Data**

Feb. 6, 2004 (JP) ..... 2004-003087

(57) **CLAIM**

(51) **LOC (8) Cl.** ..... **14-02**  
(52) **U.S. Cl.** ..... **D14/366**  
(58) **Field of Classification Search** ..... D14/348,  
D14/356, 361–369, 125, 313; D13/162, 182,  
D13/184, 199; 312/223.3; 360/99.01–99.12,  
360/97.01; 361/680–686, 690–696; 369/34.01,  
369/36.01

The ornamental design for an optical disc memory device, as shown and described.

See application file for complete search history.

**DESCRIPTION**

FIG. 1 is a perspective view of an optical disc memory device showing the new design;  
FIG. 2 is a front view thereof;  
FIG. 3 is a rear view thereof;  
FIG. 4 is a top view thereof;  
FIG. 5 is a bottom view thereof;  
FIG. 6 is a left side view thereof; and,  
FIG. 7 is a right side view thereof.

(56) **References Cited**

**U.S. PATENT DOCUMENTS**

5,235,481 A \* 8/1993 Kamo et al. .... 360/97.01  
D372,022 S \* 7/1996 Sawada et al. .... D14/366

**1 Claim, 3 Drawing Sheets**

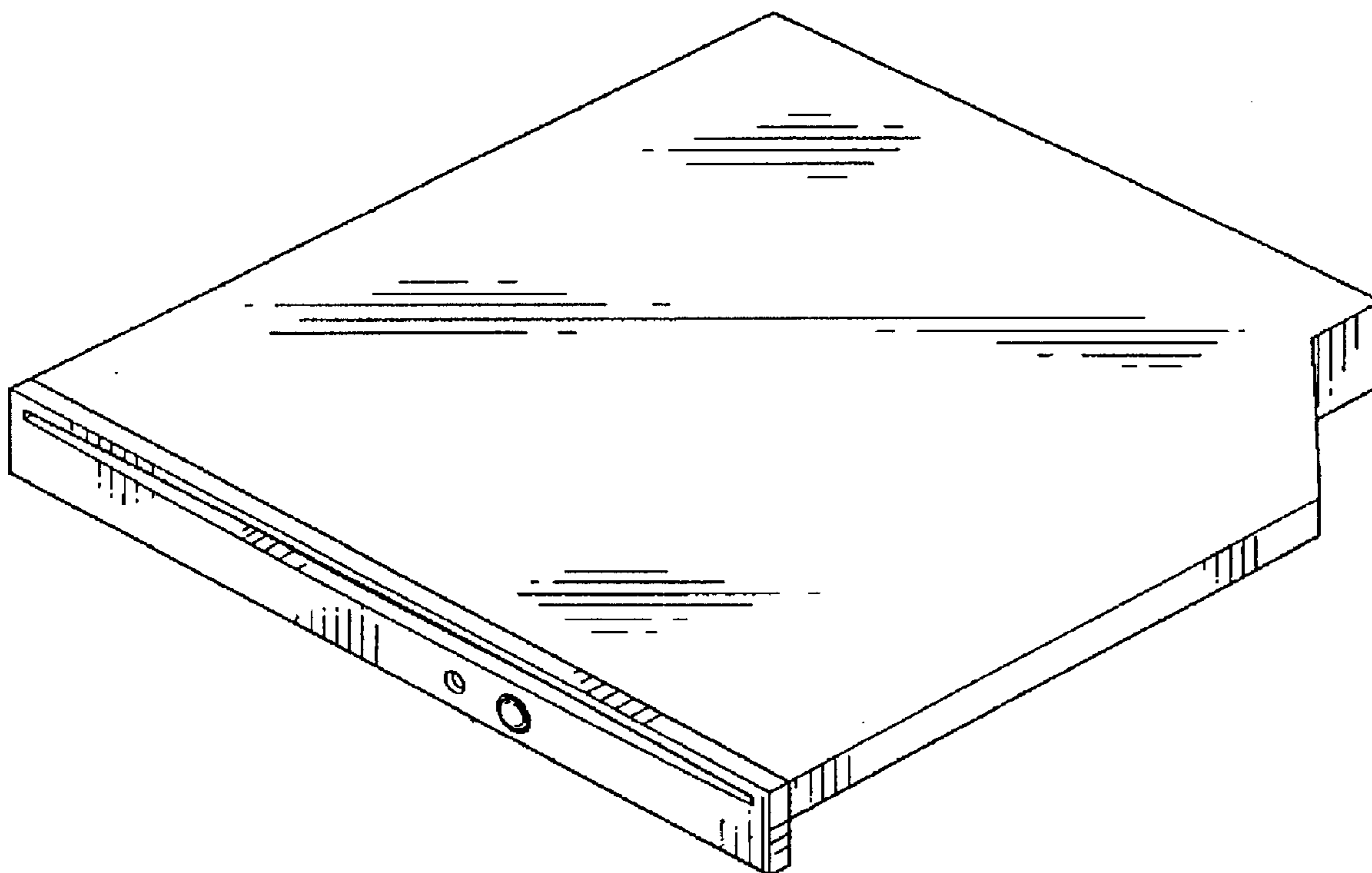


FIG. 1

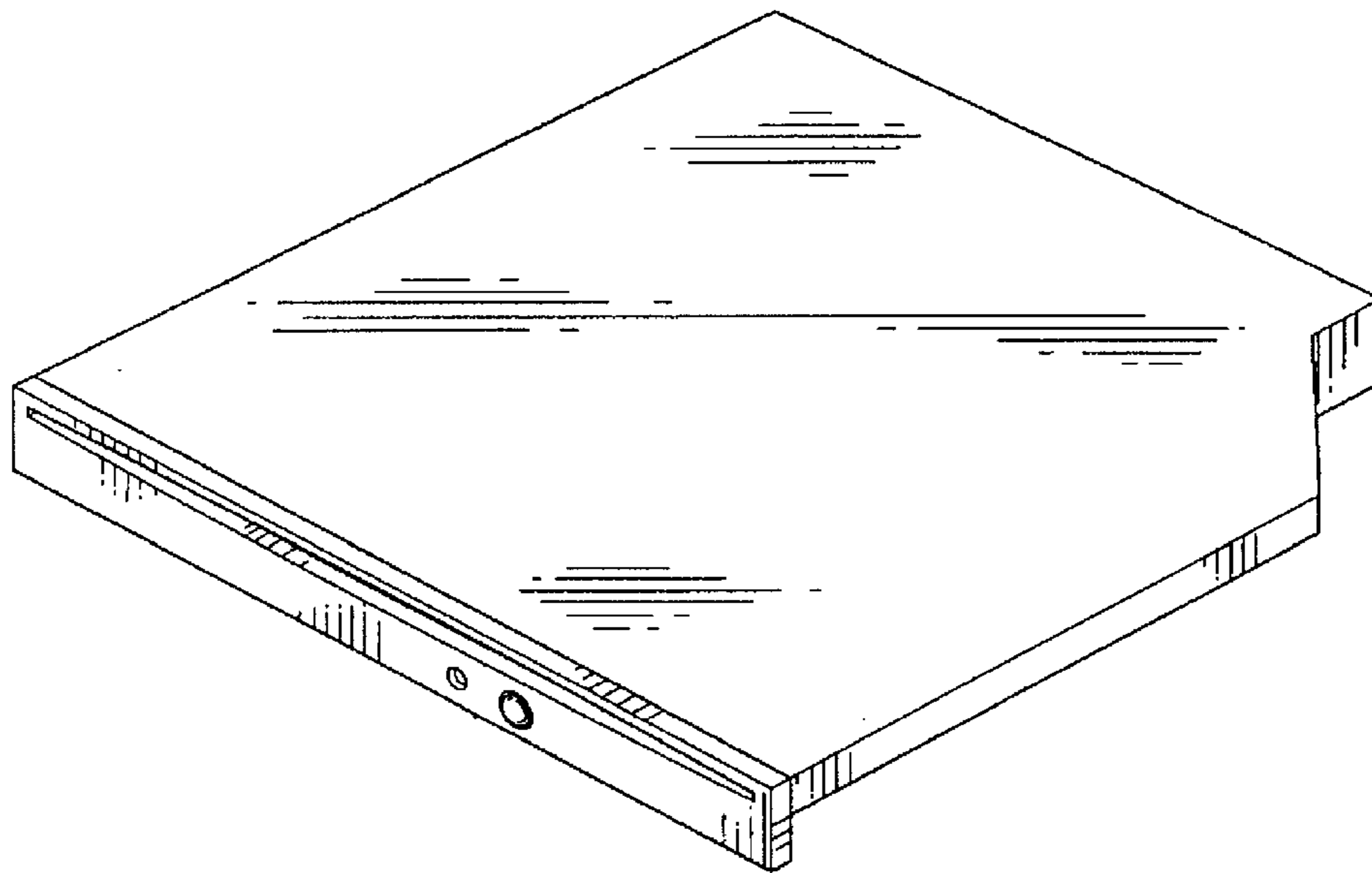


FIG. 2

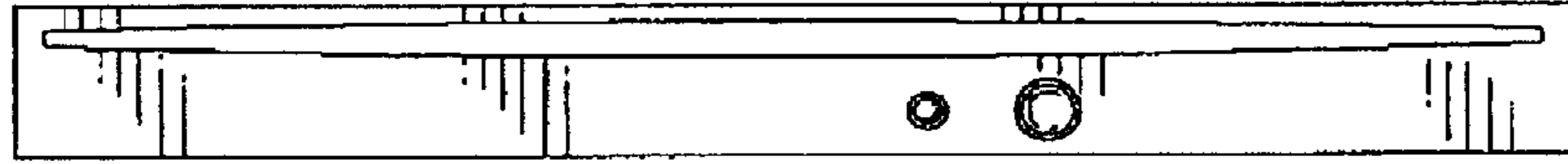


FIG. 3



FIG. 4

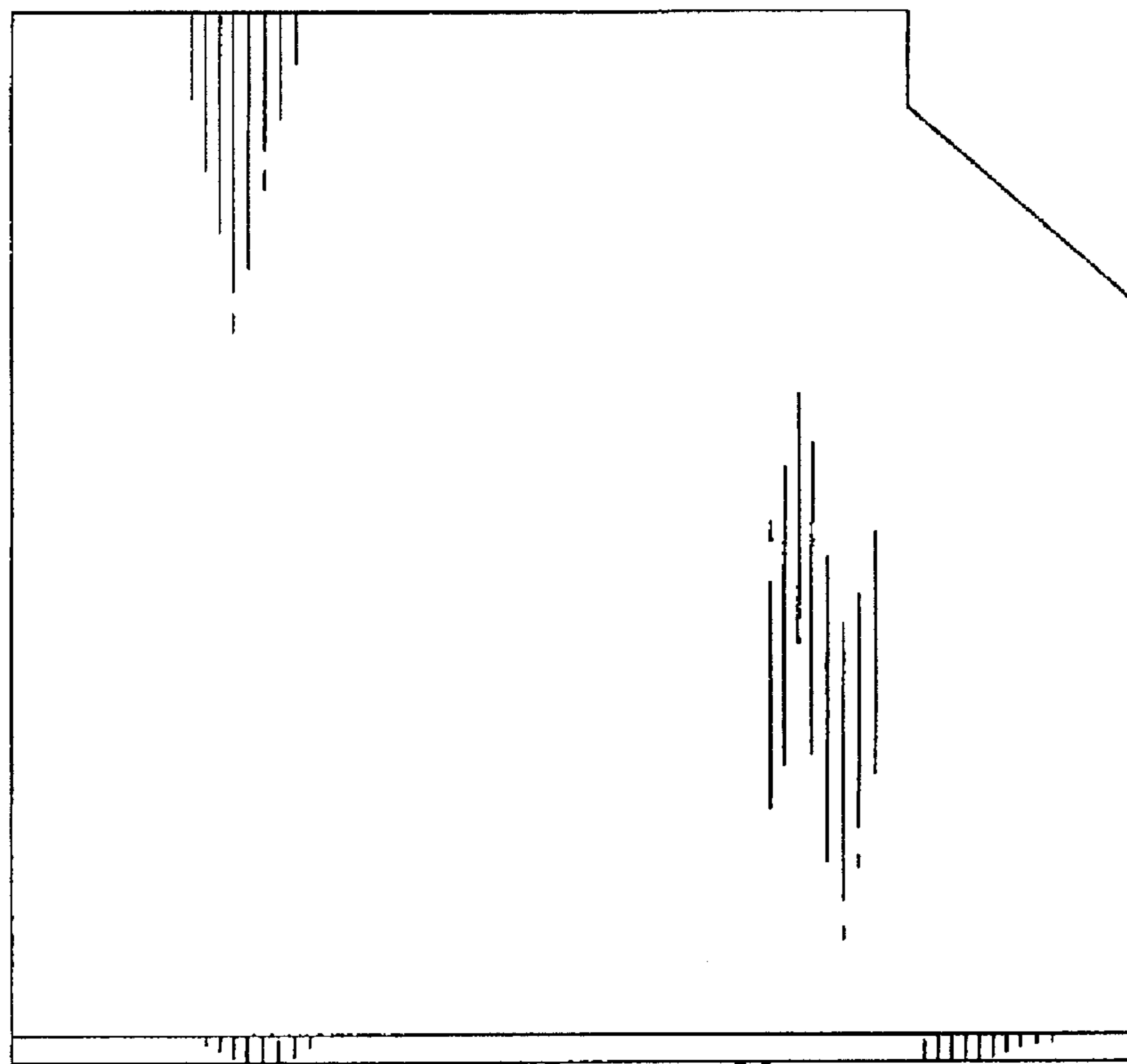


FIG. 5

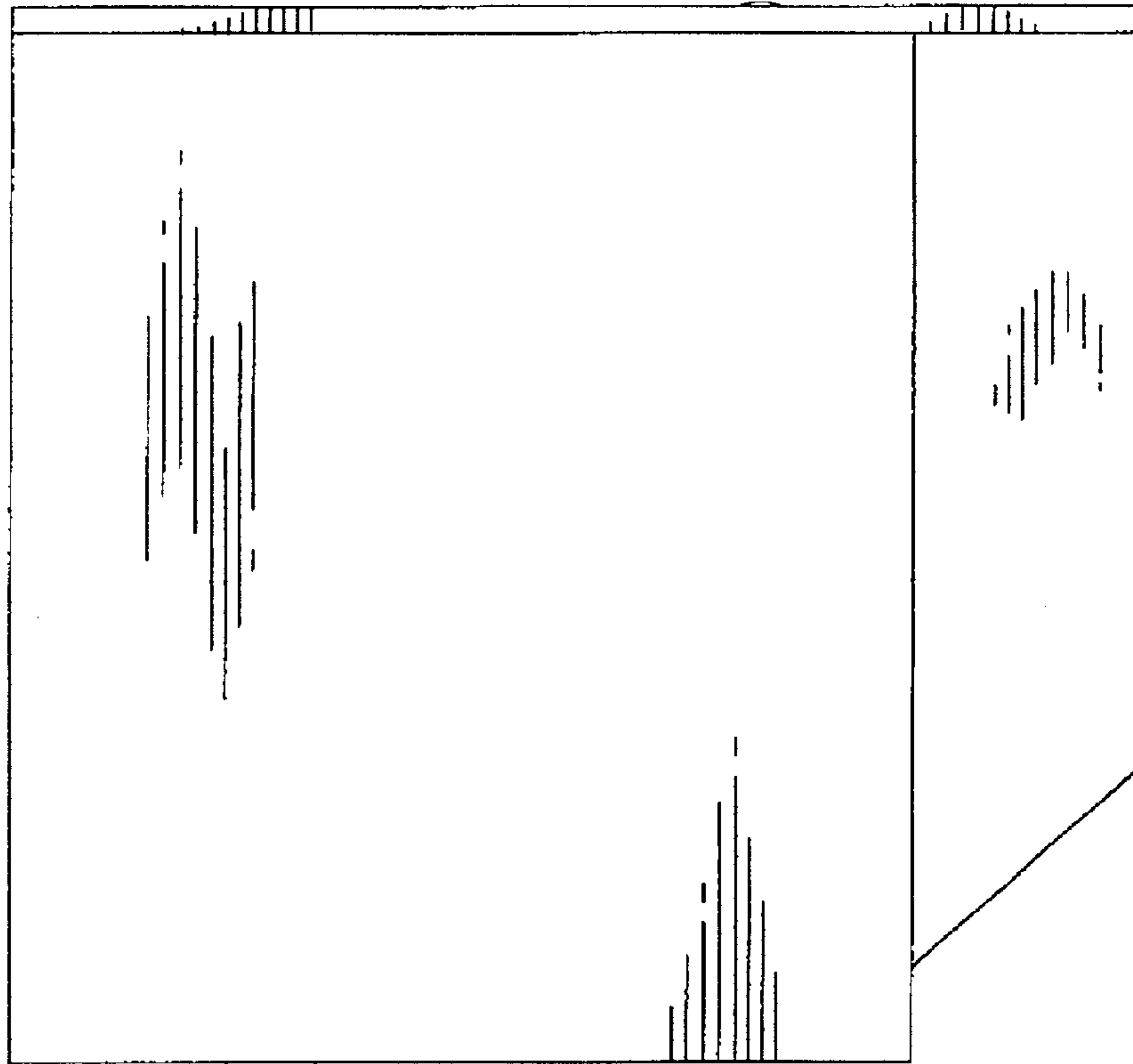


FIG. 6

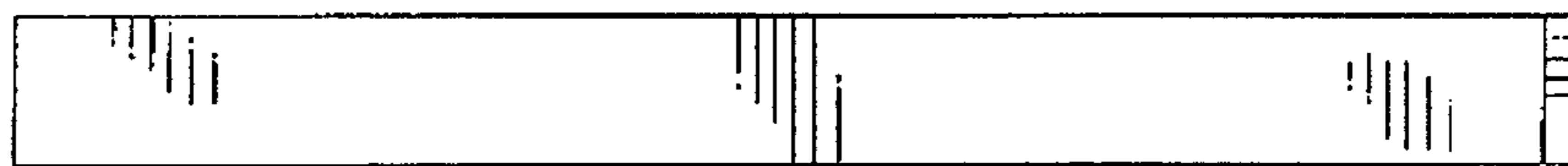


FIG. 7

