



US00D518819S

(12) **United States Design Patent**
Gray

(10) **Patent No.:** **US D518,819 S**

(45) **Date of Patent:** **** Apr. 11, 2006**

(54) **ANTENNA**

(76) **Inventor:** **David C. Gray**, 1415 Willow Park Way, Cumming, GA (US) 30041

(**) **Term:** **14 Years**

(21) **Appl. No.:** **29/212,426**

(22) **Filed:** **Sep. 1, 2004**

(51) **LOC (8) Cl.** **14-03**

(52) **U.S. Cl.** **D14/230**

(58) **Field of Classification Search** D14/137, D14/138, 230-238, 299, 358; D12/42, 43, D12/319, 325, 345; 343/700 R-705, 871-908, 343/795, 840, 711-713, 819, 846; 455/90.2, 455/90.3, 91, 128, 269, 344, 347, 562.1; 244/189

See application file for complete search history.

(56) **References Cited**

U.S. PATENT DOCUMENTS

3,045,236	A	*	7/1962	Colman et al.	343/705
D227,785	S	*	7/1973	Kaysen	D14/233
4,738,531	A	*	4/1988	Lloyd et al.	356/152.2
5,031,859	A	*	7/1991	Cunningham	244/12.1

D327,690	S	*	7/1992	Ogawa et al.	D14/230
D345,982	S	*	4/1994	Lucey	D14/230
D401,594	S	*	11/1998	Nishimura et al.	D14/230
D427,996	S	*	7/2000	Heiligenstein et al.	D14/230
D442,168	S	*	5/2001	Warner et al.	D14/231
D444,144	S	*	6/2001	Warner et al.	D14/231

* cited by examiner

Primary Examiner—Louis S. Zarfaz

Assistant Examiner—John Windmuller

(74) *Attorney, Agent, or Firm*—Smith Frohwein Tempel Greenlee Blaha LLC; Gregory Scott Smith

(57) **CLAIM**

The ornamental design for an antenna, as shown and described.

DESCRIPTION

FIG. 1 is a top perspective view of an antenna showing my new design;

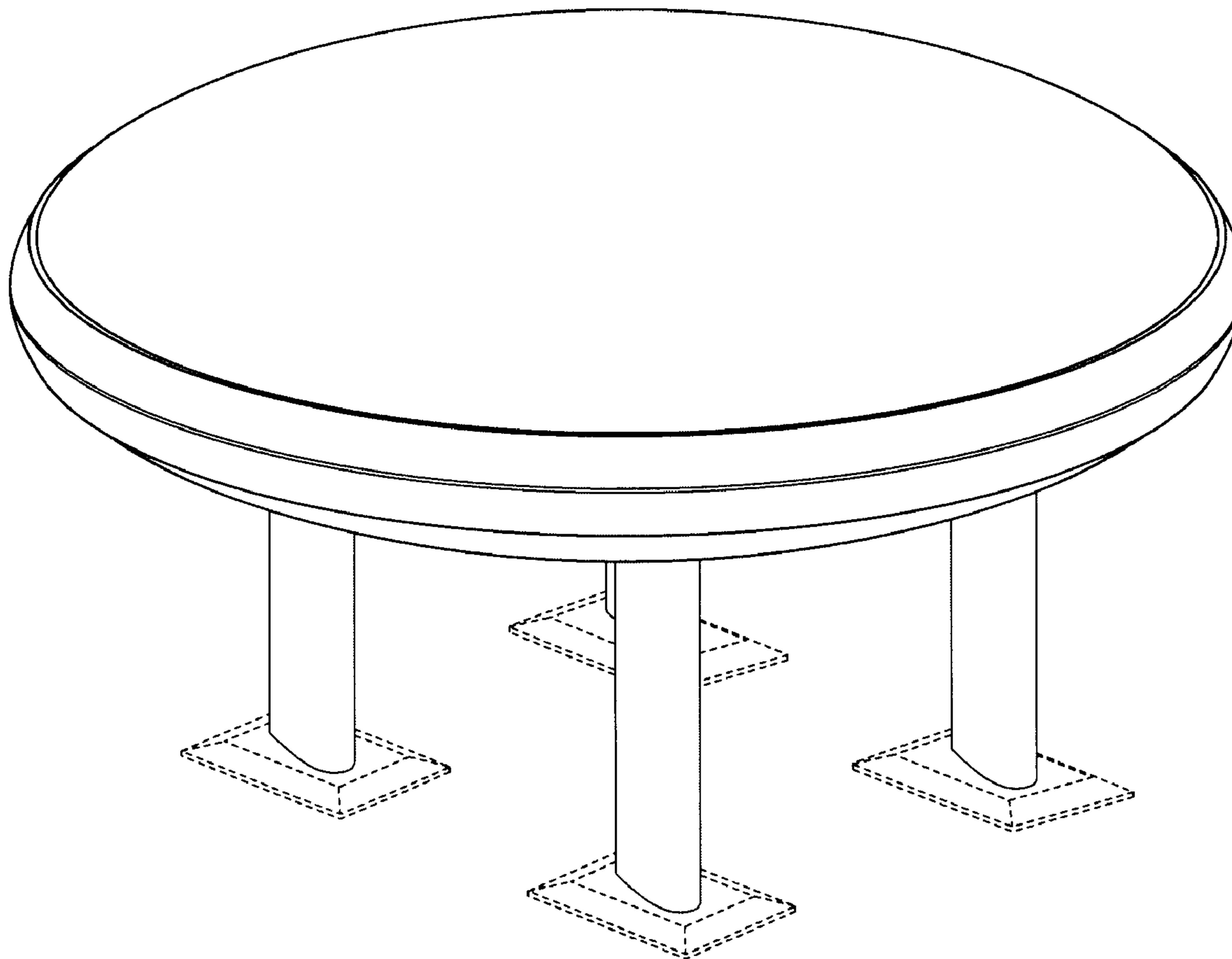
FIG. 2 is a front elevational view thereof;

FIG. 3 is a rear elevational view thereof;

FIG. 4 is a left side elevational view thereof, right side elevational view being a mirror image; and,

FIG. 5 is a top plan view thereof.

1 Claim, 3 Drawing Sheets



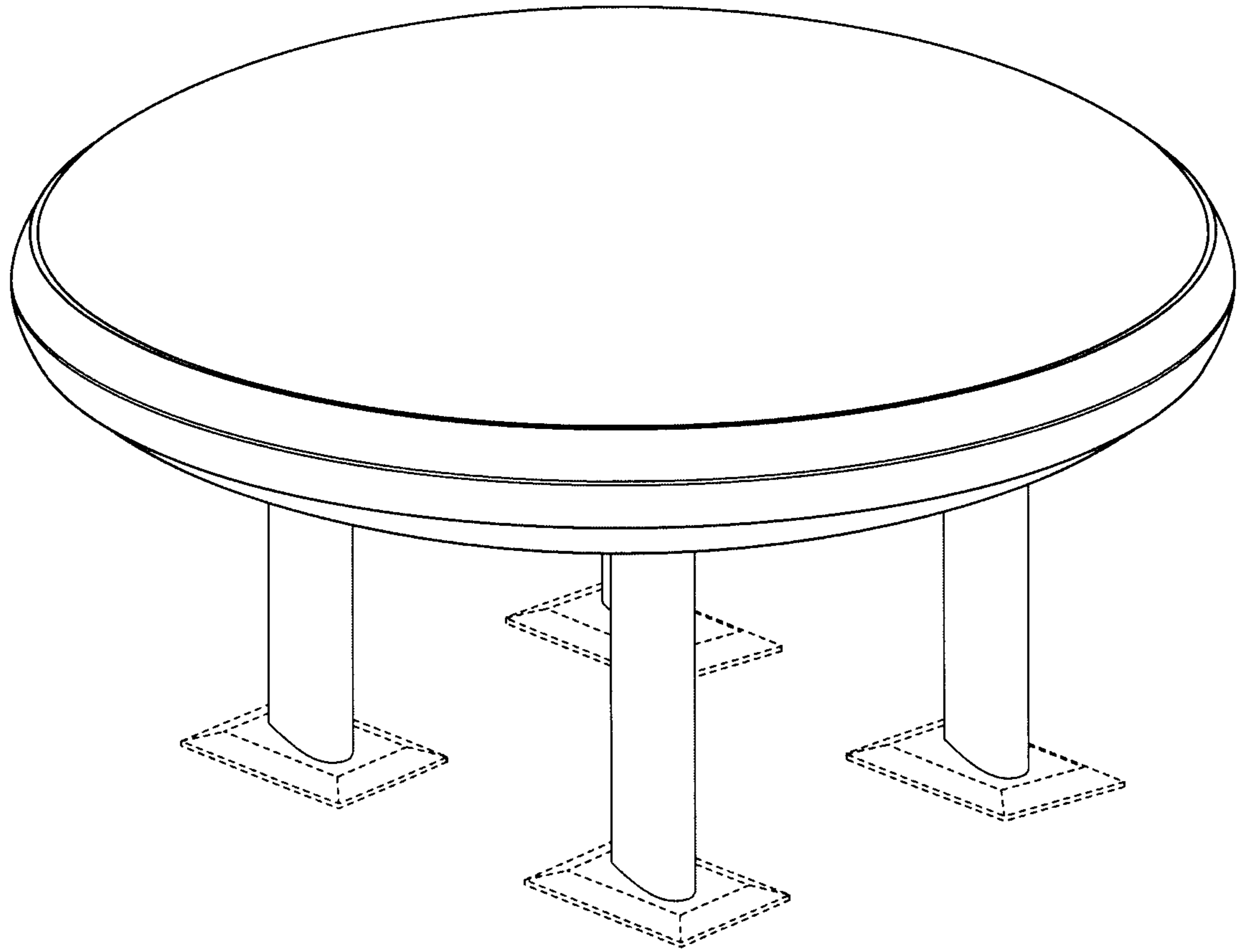


FIG 1

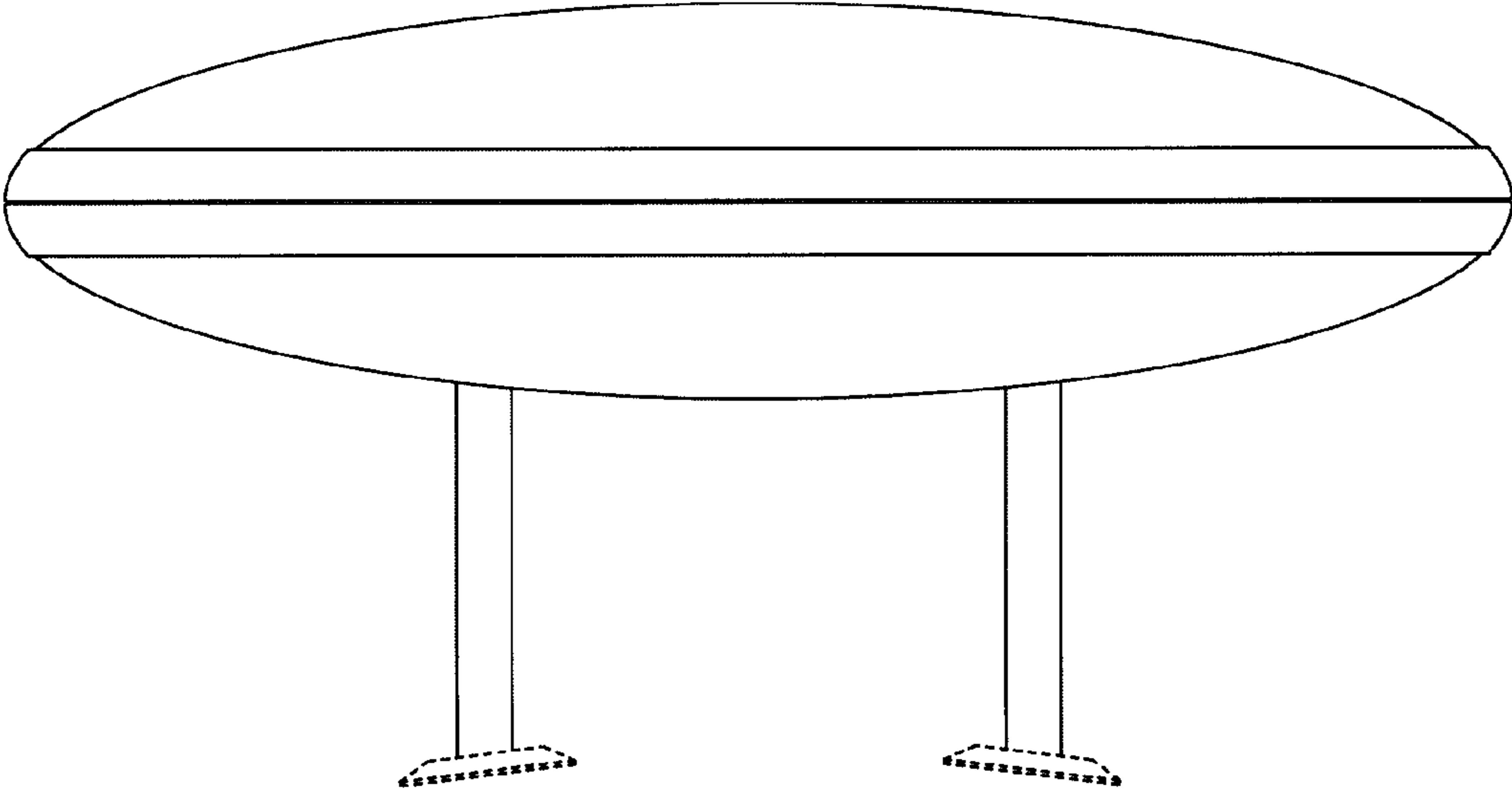


FIG 2

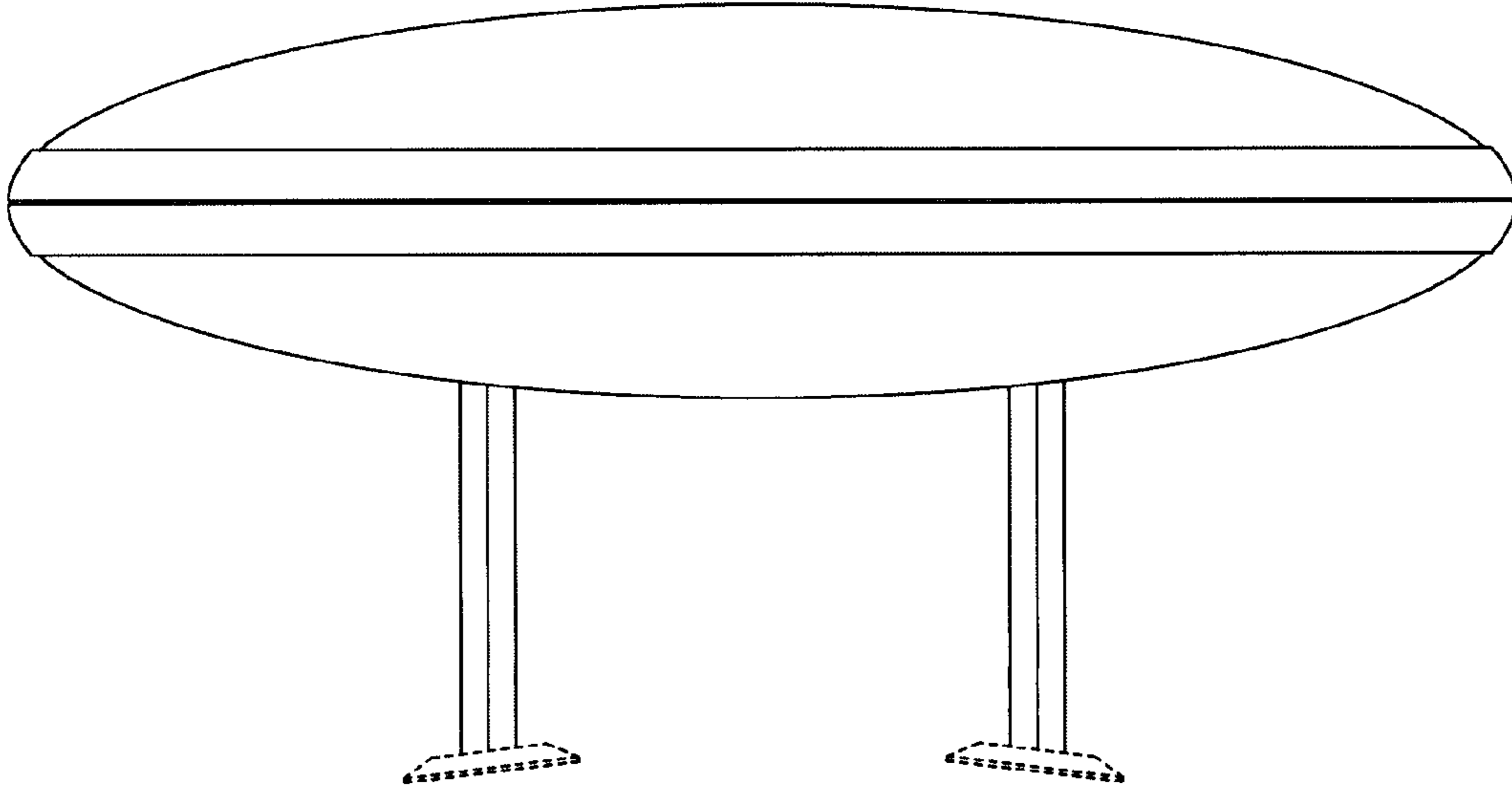


FIG 3

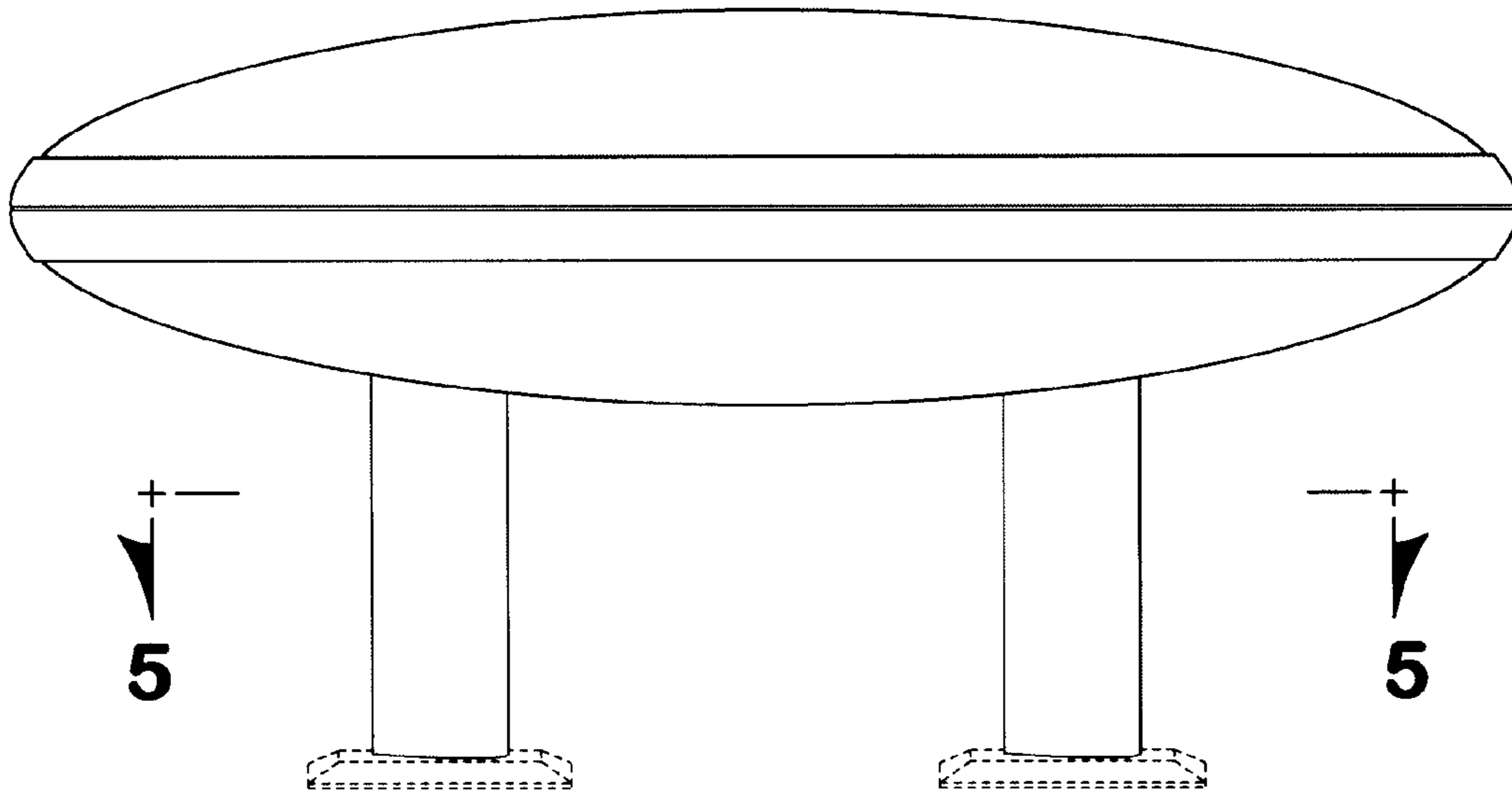


FIG 4

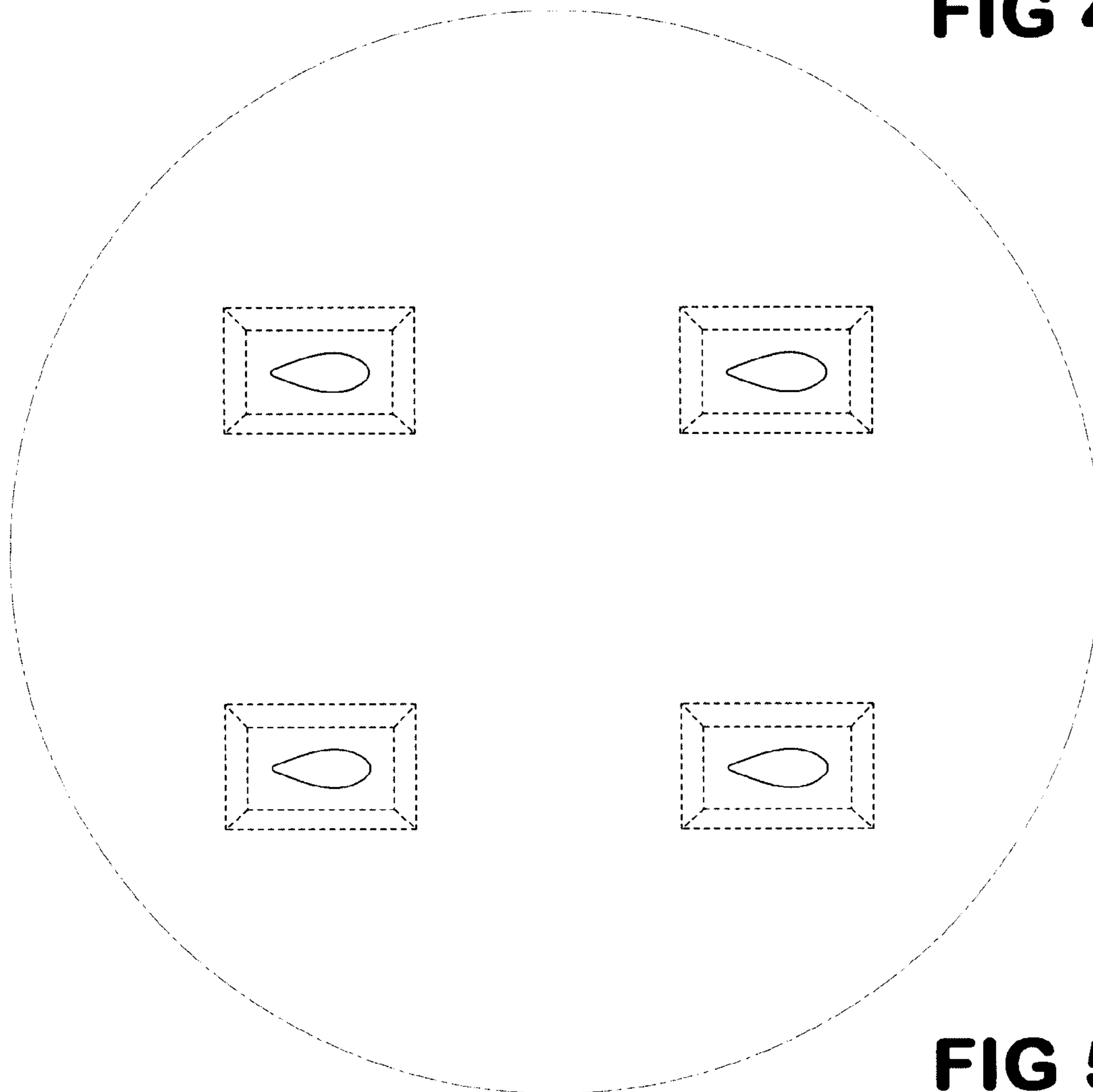


FIG 5