

US00D518818S

(12) **United States Design Patent**
Motoishi

(10) **Patent No.:** **US D518,818 S**

(45) **Date of Patent:** **** Apr. 11, 2006**

(54) **SPEAKER BOX**

(75) Inventor: **Takuya Motoishi**, Tokyo (JP)

(73) Assignee: **Sony Corporation**, Tokyo (JP)

(**) Term: **14 Years**

(21) Appl. No.: **29/213,284**

(22) Filed: **Sep. 16, 2004**

(51) **LOC (8) Cl.** **14-01**

(52) **U.S. Cl.** **D14/215; D14/214**

(58) **Field of Classification Search** D14/204,
D14/207, 209–216, 356; 181/143–144, 147–148,
181/150, 157, 198–199, 151, 153; 381/300–302,
381/306, 333, 345, 361–364, 386–388, 332,
381/336

See application file for complete search history.

(56) **References Cited**

U.S. PATENT DOCUMENTS

D416,906 S	11/1999	Miyazaki	
D417,874 S	12/1999	Suzuki	
D418,511 S	* 1/2000	Suzuki D14/215
D434,751 S	* 12/2000	Sogabe et al. D14/215
D439,239 S	* 3/2001	Ito et al. D14/215

OTHER PUBLICATIONS

Web page “S–G7”<http://www.niji.or.jp/home/k-nisi/g7.htm>,
1 sheet, Sony (Sep. 2004).

Web page “SRS–Z1000” [http://www.ecat.sony.co.jp/avacc/
activespeaker/acc/index.cfm?PD=484](http://www.ecat.sony.co.jp/avacc/activespeaker/acc/index.cfm?PD=484) 1 sheet, Sony Mar-
keting (Japan) Inc. (Sep. 2004).

Web page “CMT–HPX9” <http://www.sony.com.co/corporate?page=subcat&id=1118> 1 sheet, Sony Latin America, Inc. (Sep. 2004).

* cited by examiner

Primary Examiner—Nanda Bondade

(74) *Attorney, Agent, or Firm*—Rader, Fishman & Grauer PLLC

(57) **CLAIM**

The ornamental design for a speaker box, as shown.

DESCRIPTION

FIG. 1 is a perspective view of a speaker box showing my new design;

FIG. 2 is front elevational view thereof;

FIG. 3 is a rear elevational view thereof;

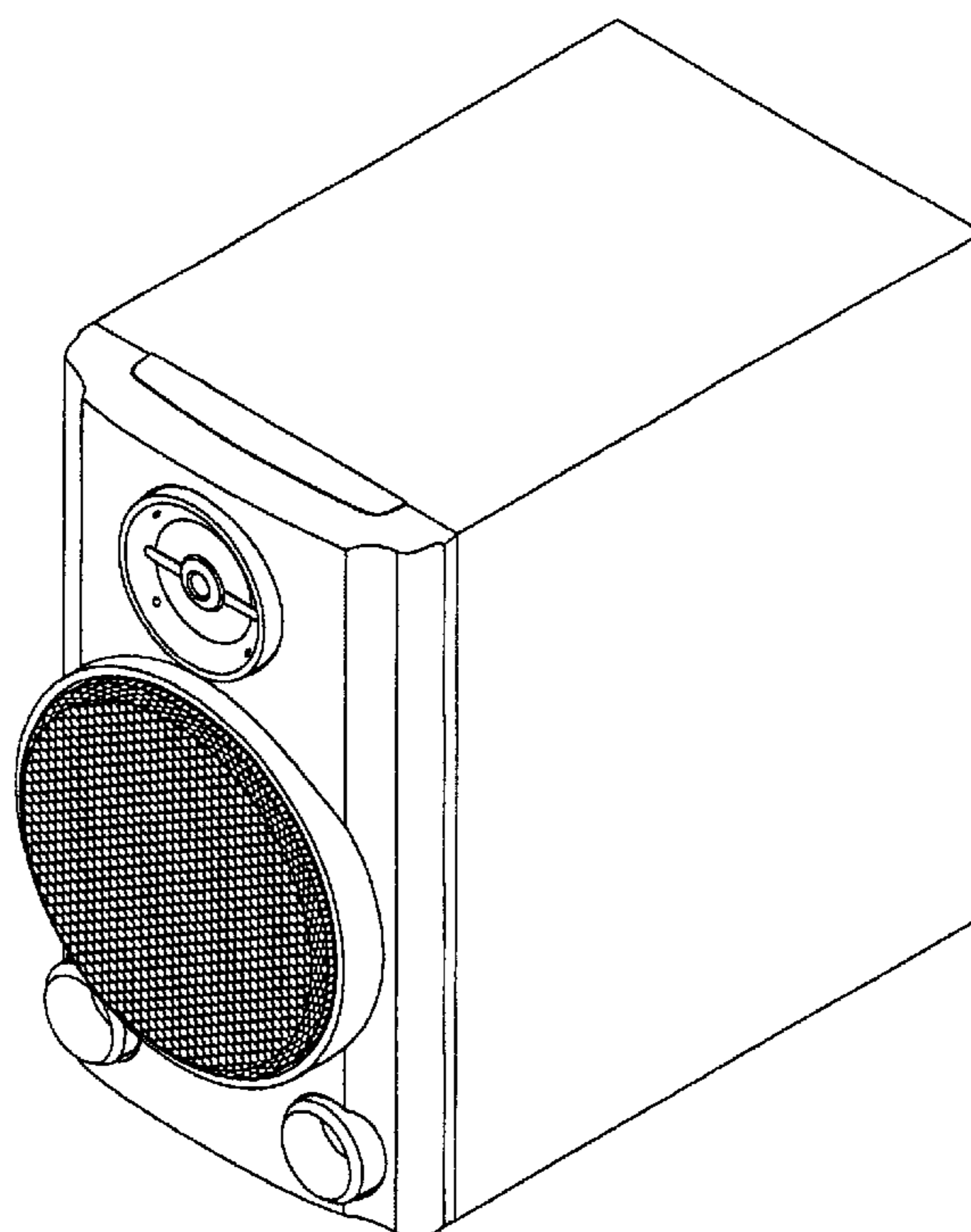
FIG. 4 is a left side elevational view thereof;

FIG. 5 is a right side elevational view thereof;

FIG. 6 is a top plan view thereof; and,

FIG. 7 is a bottom view thereof.

1 Claim, 7 Drawing Sheets



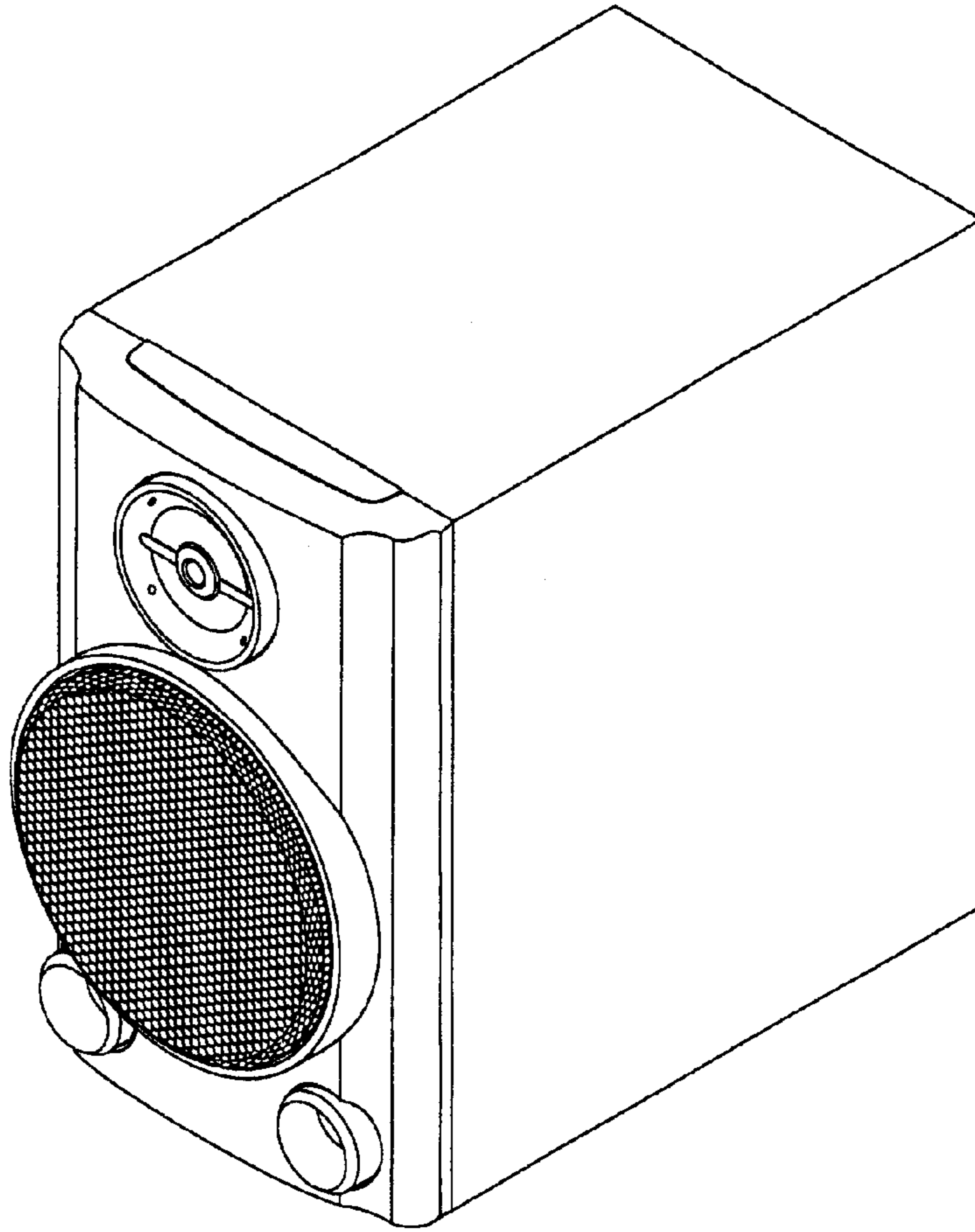


FIG. 1

FIG.2

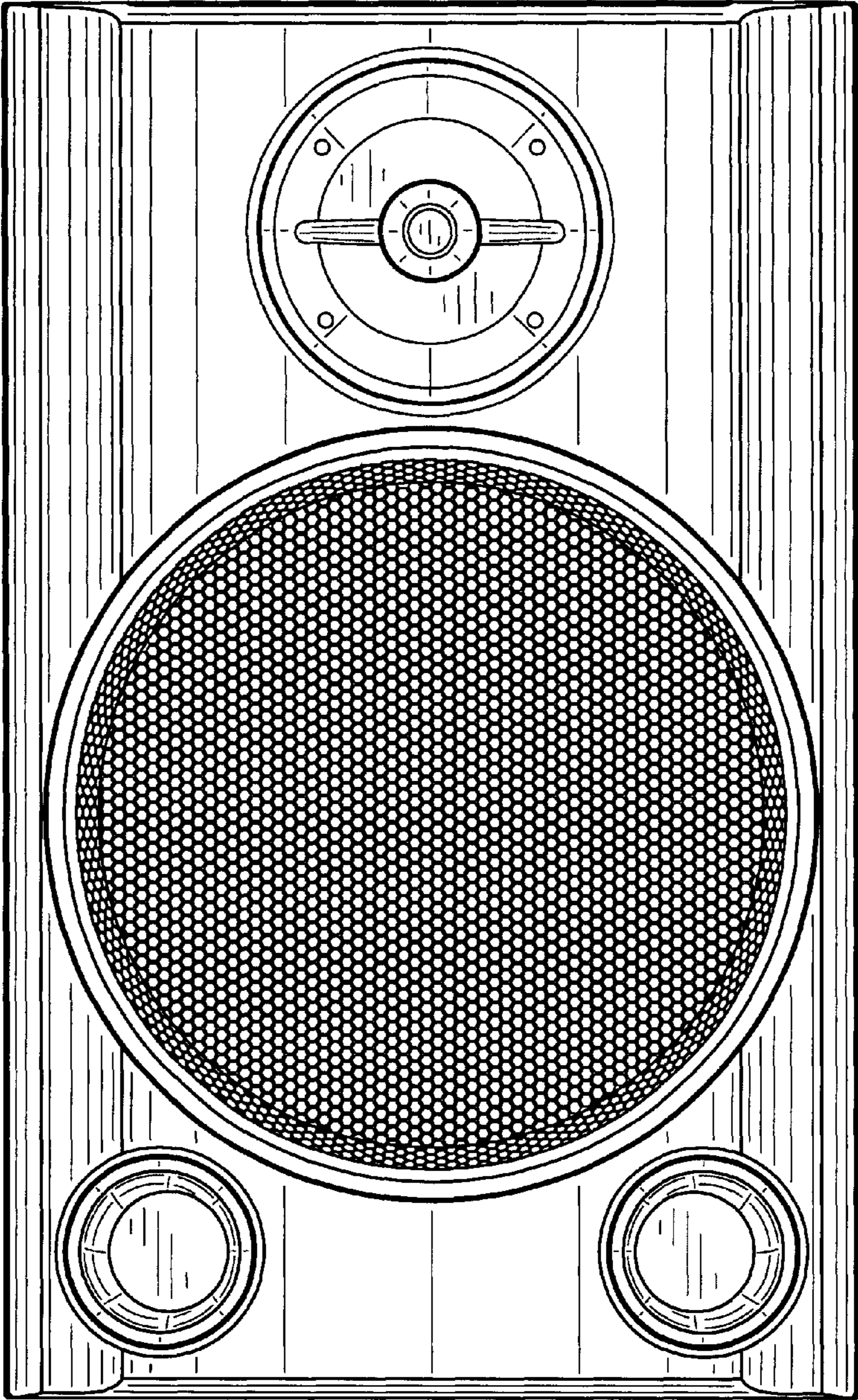




FIG. 3

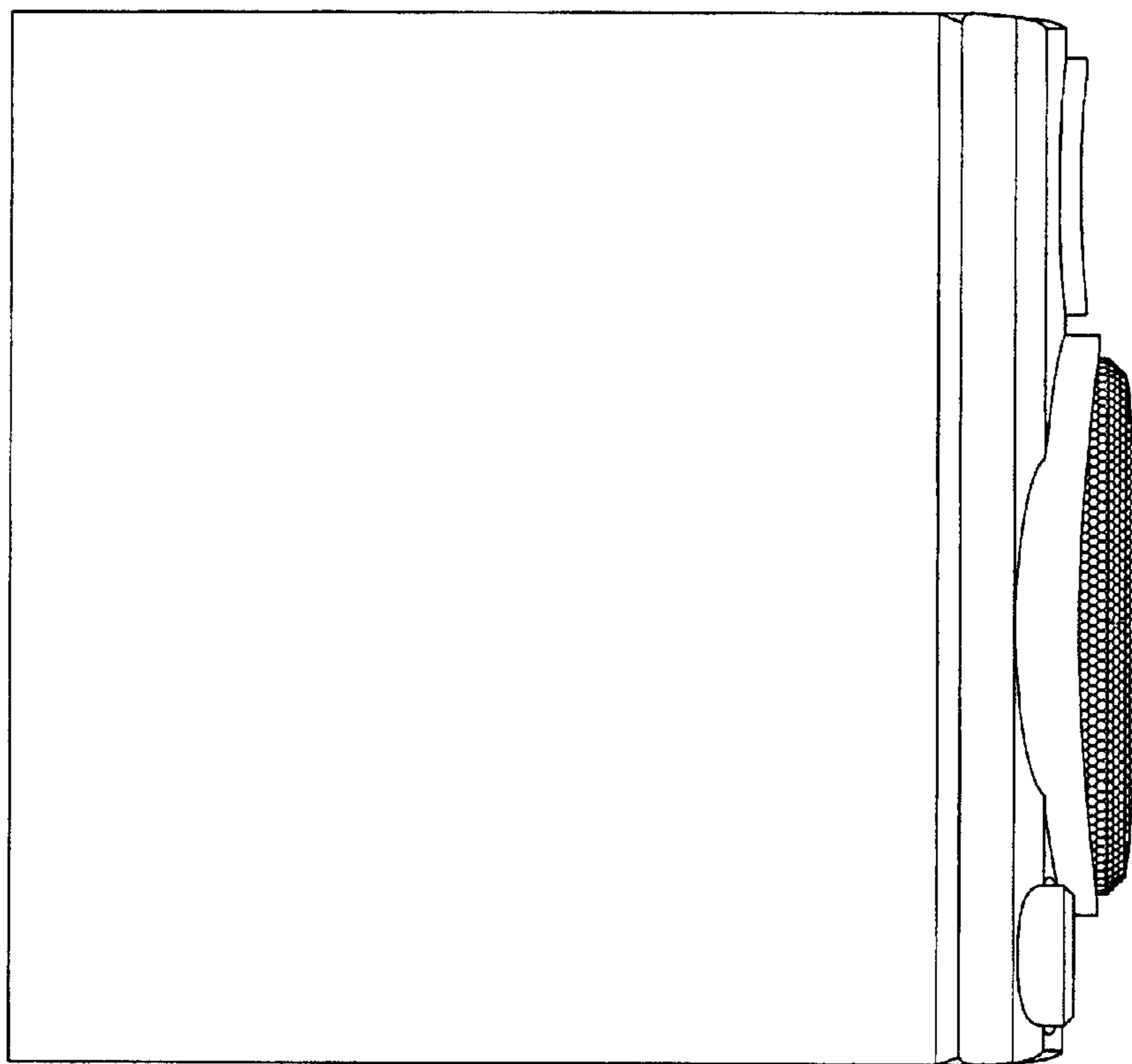


FIG. 4

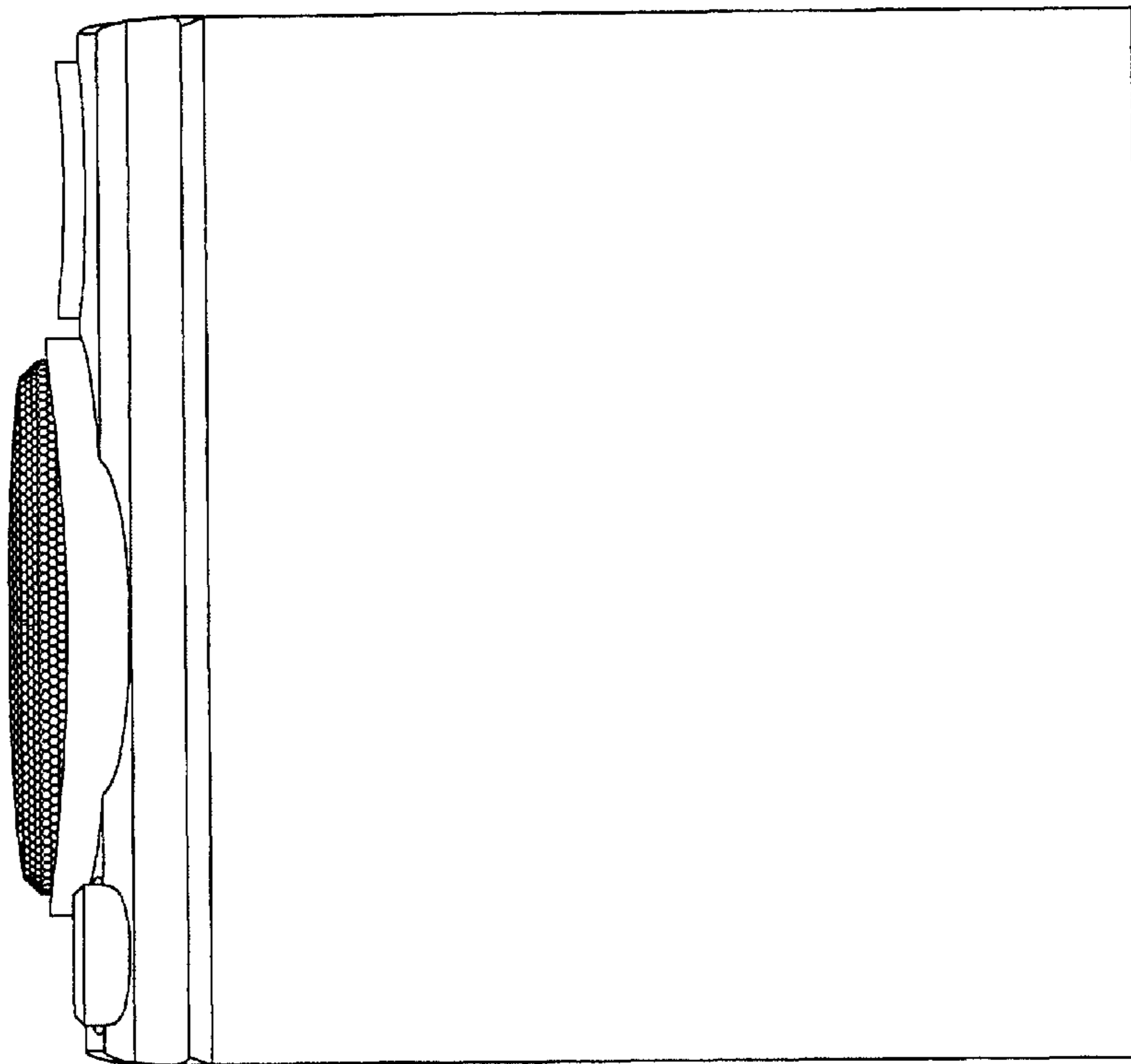


FIG. 5

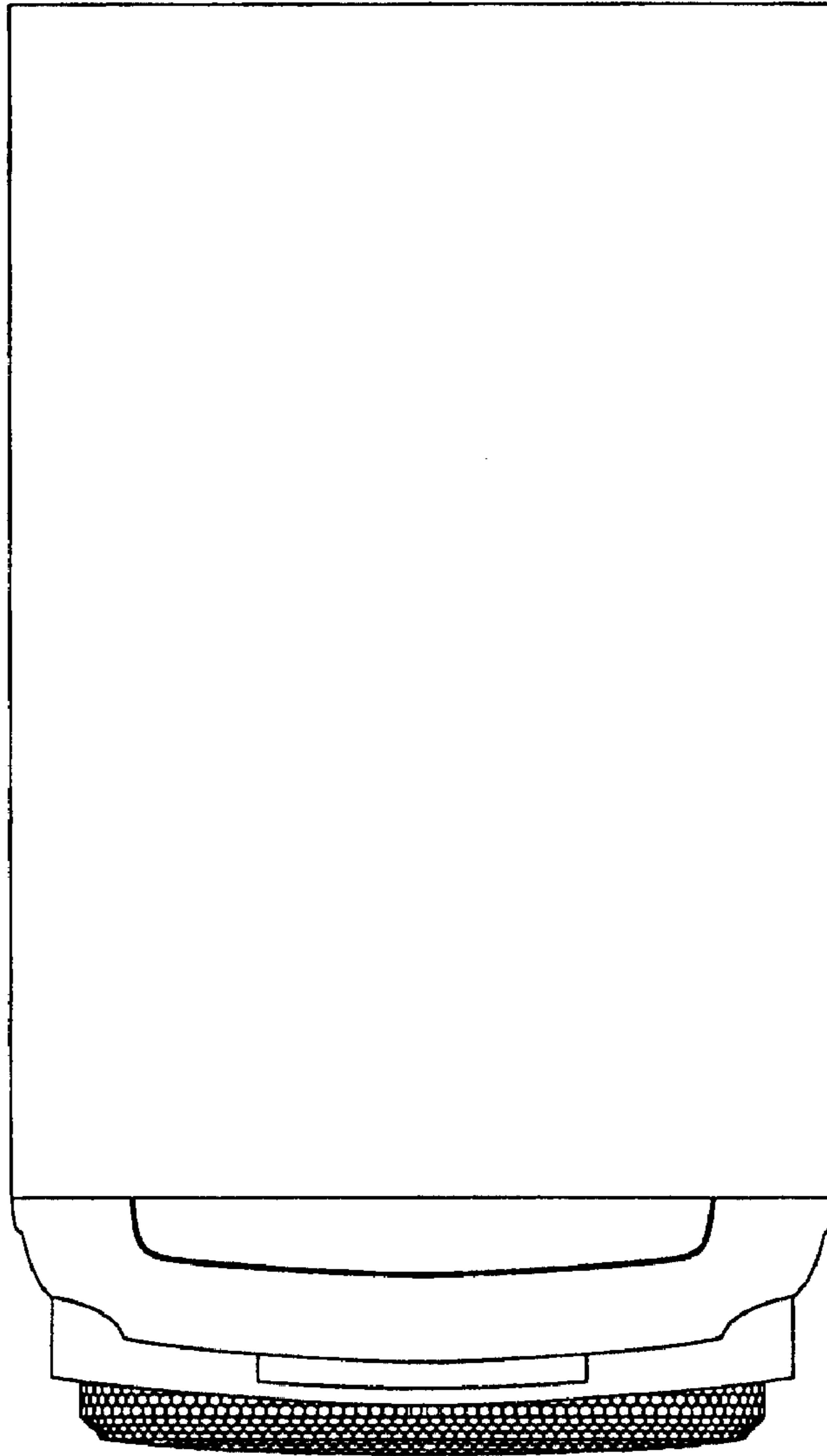


FIG. 6

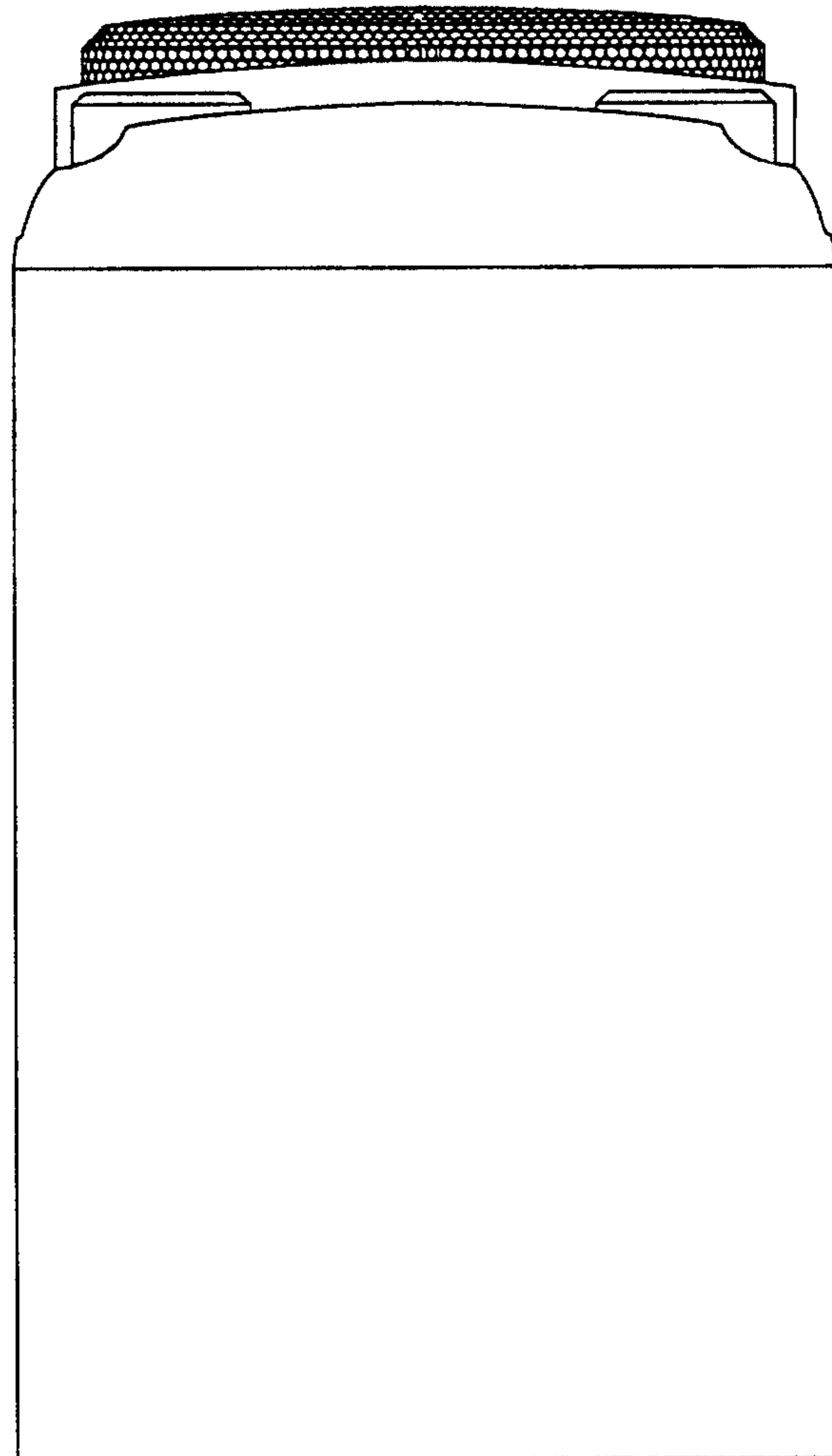


FIG. 7