



US00D518815S

(12) **United States Design Patent**  
**Otani**

(10) **Patent No.:** **US D518,815 S**

(45) **Date of Patent:** **\*\* Apr. 11, 2006**

(54) **TUNER**

(75) Inventor: **Koji Otani, Atsugi (JP)**

(73) Assignee: **Mitsumi Electric Co., Ltd., Tokyo (JP)**

(\*\*) Term: **14 Years**

(21) Appl. No.: **29/223,246**

(22) Filed: **Feb. 14, 2005**

(30) **Foreign Application Priority Data**

Sep. 29, 2004 (JP) ..... 2004-029322

(51) **LOC (8) Cl.** ..... **14-03**

(52) **U.S. Cl.** ..... **D14/188**

(58) **Field of Classification Search** ..... D14/188,  
D14/189, 168, 169, 193-198, 265; 455/344-351,  
455/100, 128; 381/386, 351; D17/20, 21,  
D17/99; 369/6-12

See application file for complete search history.

(56) **References Cited**

**U.S. PATENT DOCUMENTS**

- 4,310,923 A \* 1/1982 Kennedy ..... D55/79
- 4,676,619 A \* 6/1987 Woolley ..... 396/432
- 4,940,414 A \* 7/1990 Lee ..... 439/131
- 5,848,042 A \* 12/1998 Takahashi et al. .... 720/647

- 6,028,945 A \* 2/2000 Gayle ..... 381/120
- D428,872 S \* 8/2000 Kizawa ..... D14/188
- D435,034 S \* 12/2000 Tejima ..... D14/168
- D475,988 S \* 6/2003 Otani et al. .... D14/188
- D479,563 S \* 9/2003 Shibano et al. .... D21/333
- D489,355 S \* 5/2004 Yeh ..... D14/188
- D497,152 S \* 10/2004 Yeh ..... D14/188

\* cited by examiner

*Primary Examiner*—Prabhakar Deshmukh

(74) *Attorney, Agent, or Firm*—Sughrue Mion, PLLC

(57) **CLAIM**

The ornamental design for a tuner, as shown.

**DESCRIPTION**

FIG. 1 is a perspective view of the top, front, and left side of a tuner showing my new design;  
 FIG. 2 is a perspective view of the bottom, rear, and right side thereof;  
 FIG. 3 is a front elevational view thereof;  
 FIG. 4 is a rear elevational view thereof;  
 FIG. 5 is a left side elevational view thereof;  
 FIG. 6 is a right side elevational view thereof;  
 FIG. 7 is a top plan view thereof; and,  
 FIG. 8 is a bottom plan view thereof.

**1 Claim, 3 Drawing Sheets**

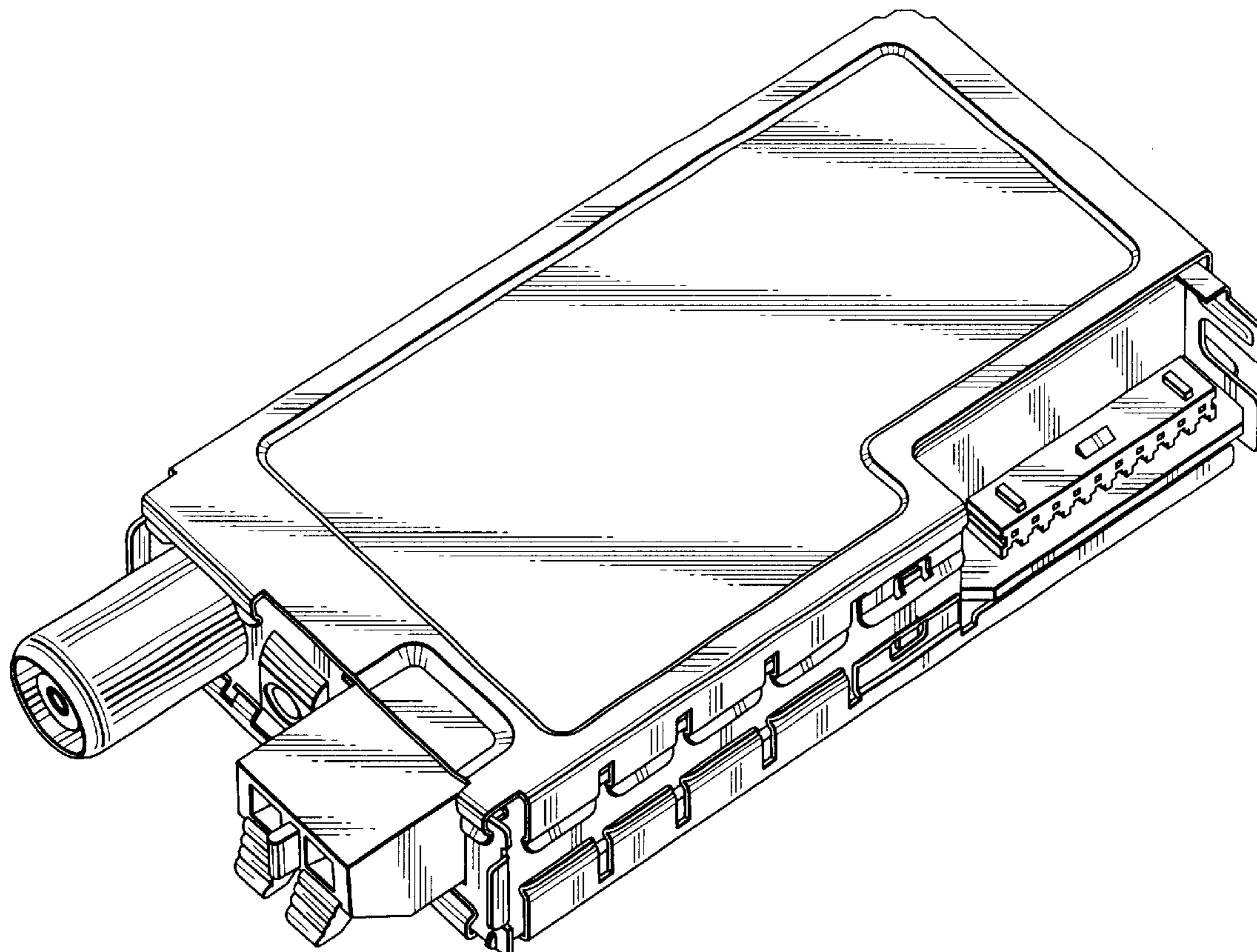


FIG.1

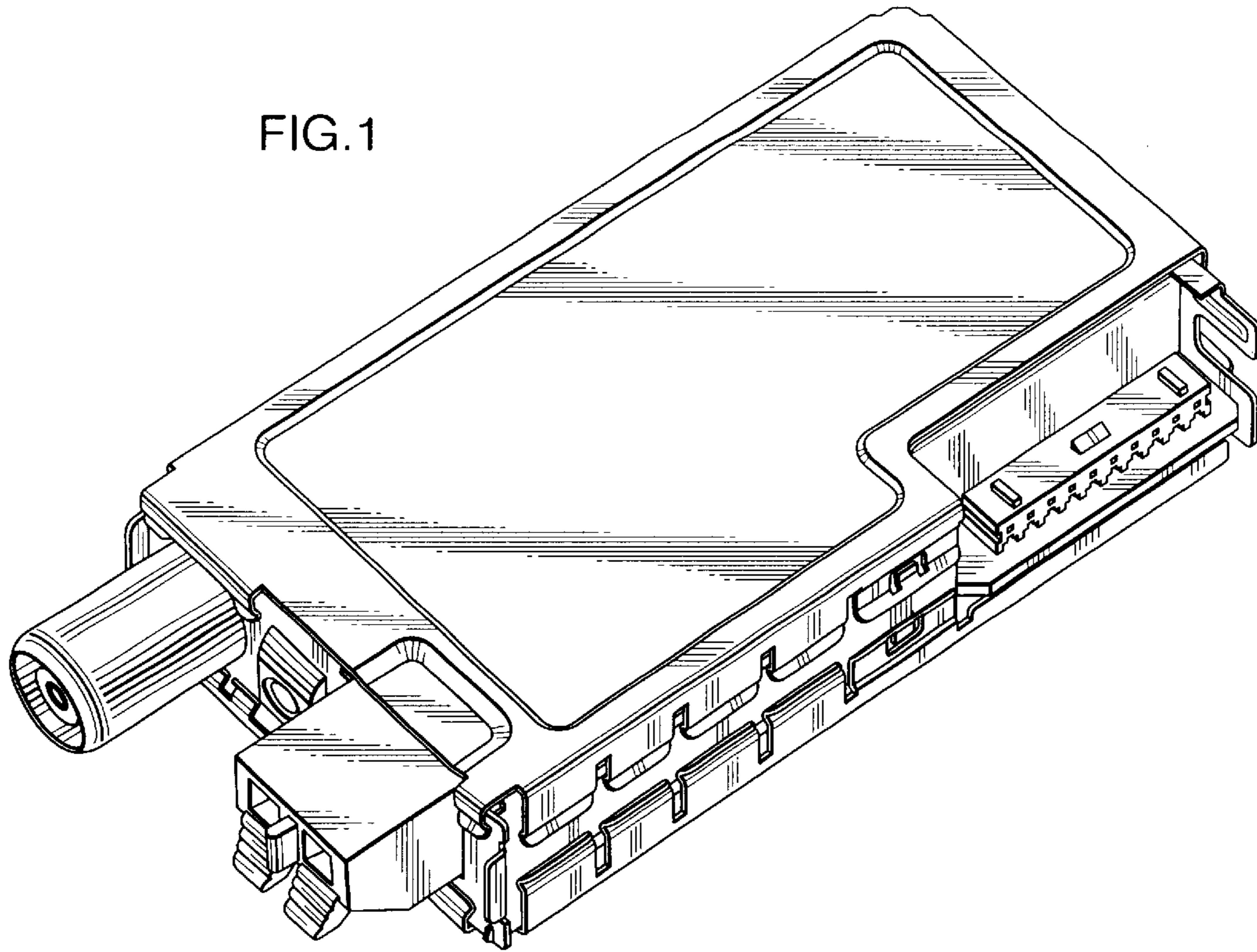


FIG.2

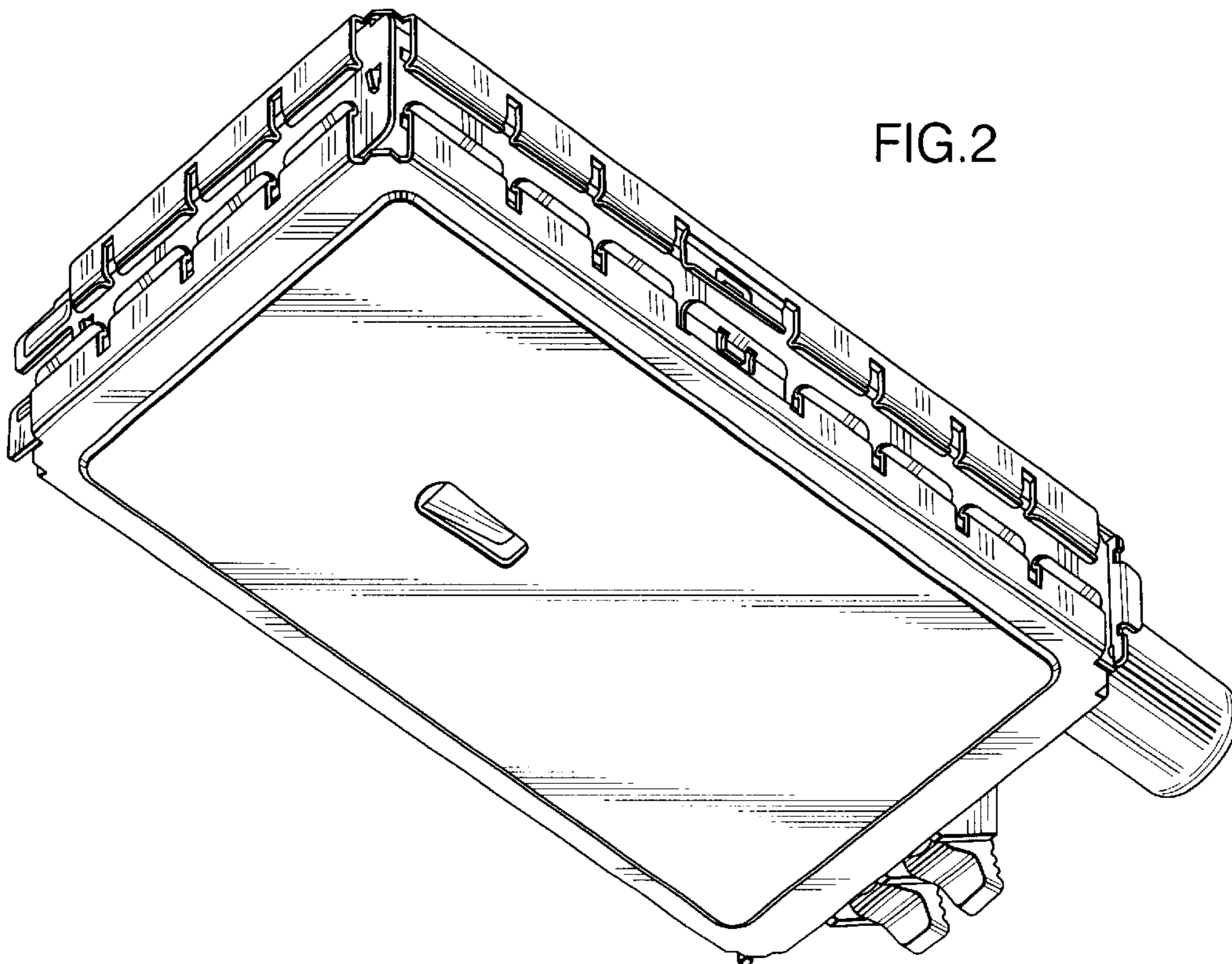


FIG.3

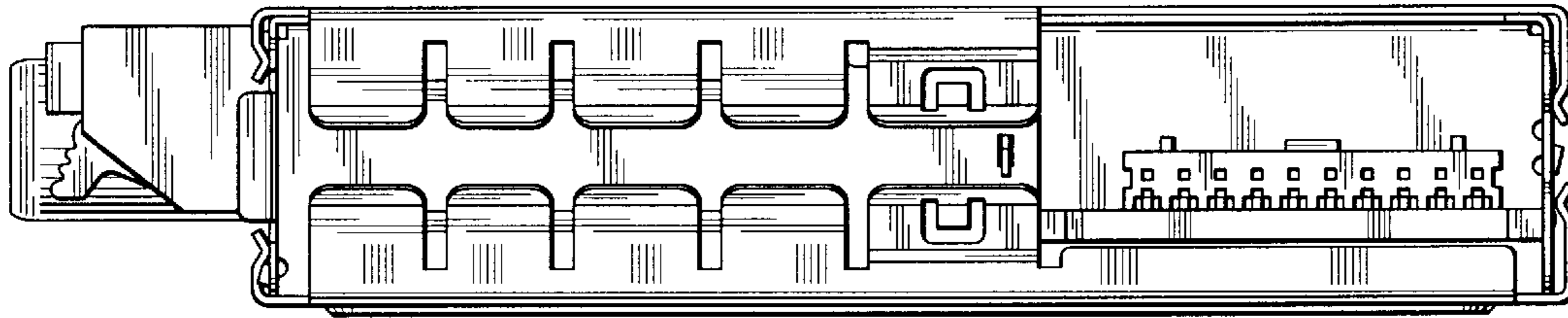


FIG.4

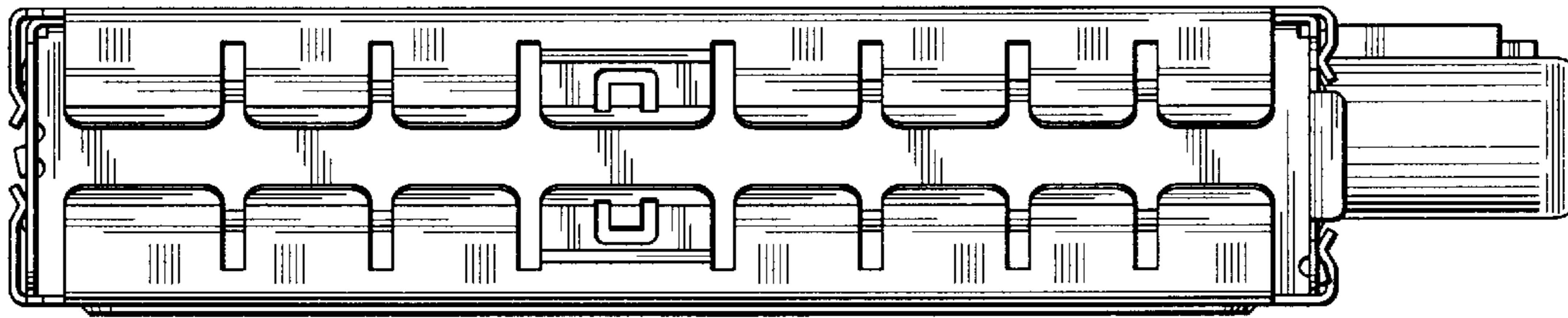


FIG.5

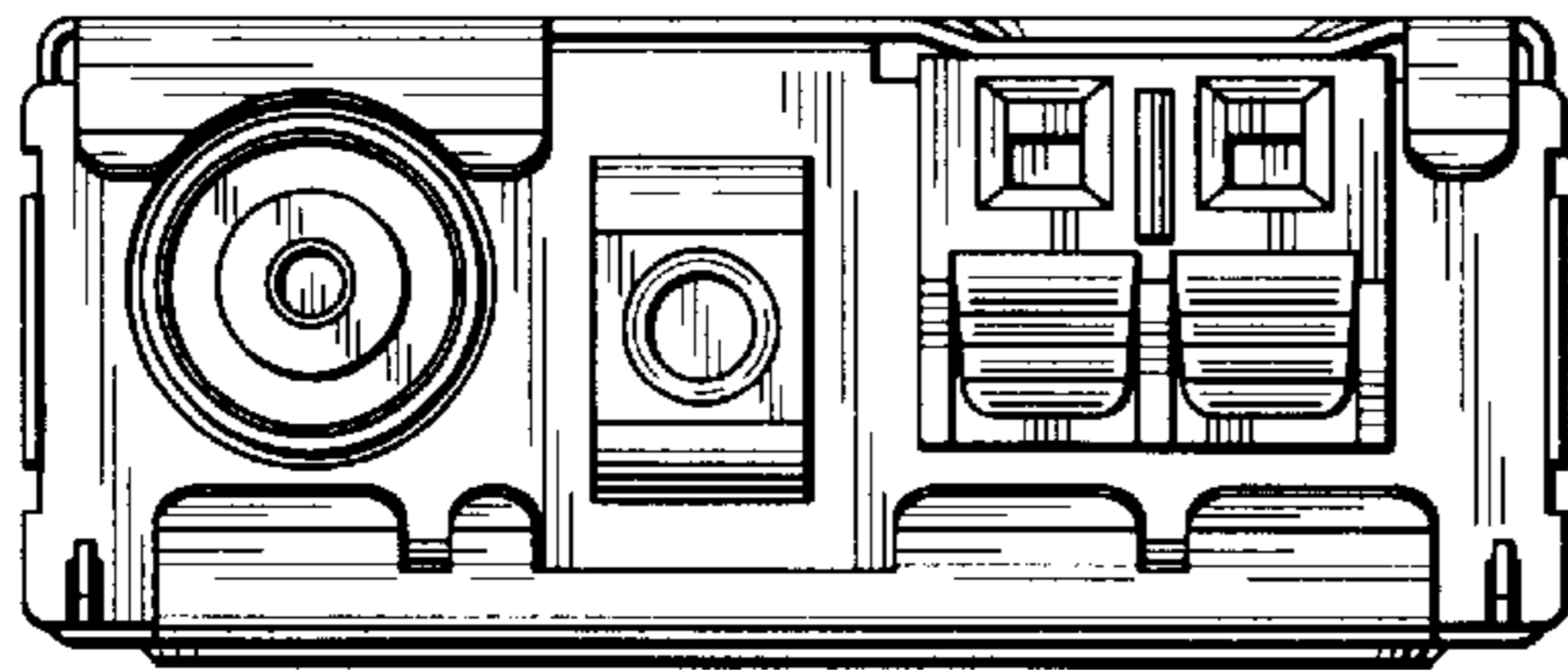


FIG.6

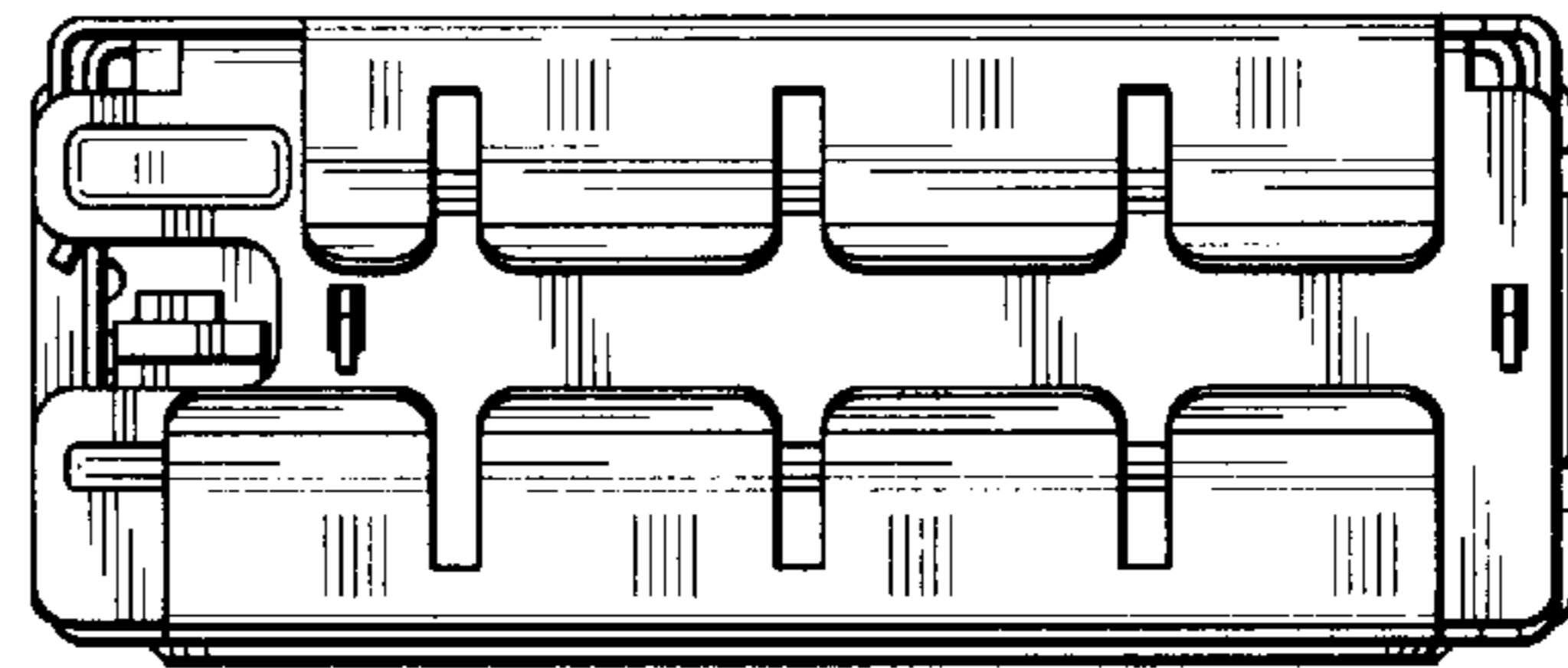


FIG.7

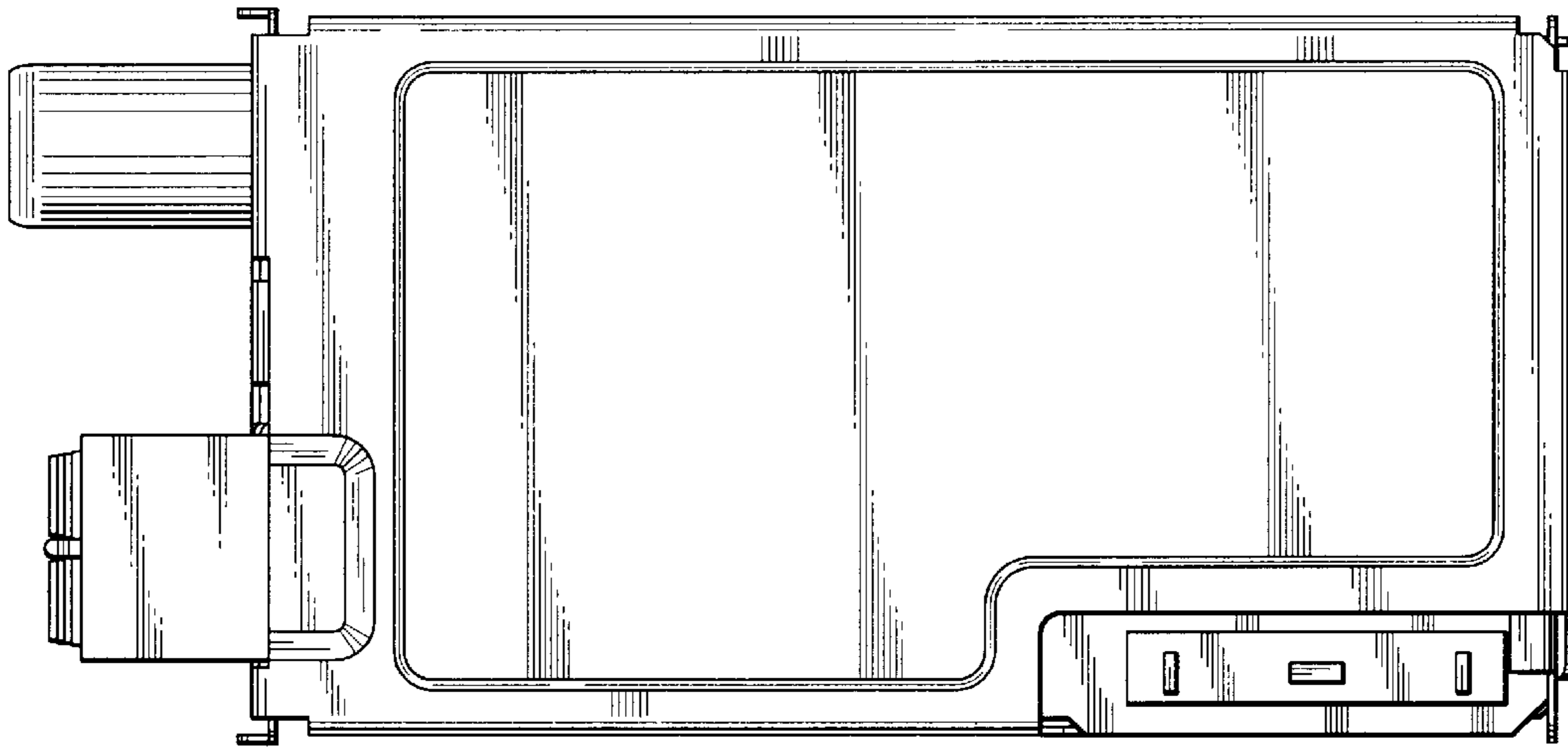


FIG.8

