



US00D518814S

(12) **United States Design Patent**  
**Shim et al.**

(10) **Patent No.: US D518,814 S**

(45) **Date of Patent: \*\* Apr. 11, 2006**

(54) **RECORD CONTROLLED SOUND  
PLAYBACK DEVICE**

(75) Inventors: **Brian Shim**, Santa Monica, CA (US);  
**Christopher Roman**, Wrentham, MA  
(US)

(73) Assignee: **Numark Industries, LLC**,  
Cumberland, RI (US)

(\*\*) Term: **14 Years**

(21) Appl. No.: **29/220,778**

(22) Filed: **Jan. 5, 2005**

**Related U.S. Application Data**

(63) Continuation-in-part of application No. 10/935,492, filed on  
Sep. 7, 2004.

(51) **LOC (8) Cl.** ..... **14-01**

(52) **U.S. Cl.** ..... **D14/168; D14/203; D14/217**

(58) **Field of Classification Search** ..... D14/156,  
D14/162, 167-168, 199-203, 217, 261; 312/8.4,  
312/322, 325; 369/63, 75.11, 75.12, 77.11,  
369/77.12, 213, 234, 237, 323, 268, 266,  
369/263.1

See application file for complete search history.

(56) **References Cited**

**U.S. PATENT DOCUMENTS**

D252,330 S	*	7/1979	Leech	.....	D14/203
D258,652 S	*	3/1981	Guillon	.....	D14/261
5,040,164 A	*	8/1991	Liu	.....	369/268
5,350,882 A		9/1994	Koguchi et al.	.....	84/636
5,512,704 A		4/1996	Adachi	.....	84/605
5,862,106 A		1/1999	Washikawa et al.	.....	369/32
6,025,552 A		2/2000	Mukaino et al.	.....	84/605
D433,011 S	*	10/2000	O'Donnell et al.	.....	D14/202
D454,552 S	*	3/2002	Nakane	.....	D14/168

D454,855 S	*	3/2002	Nakane	.....	D14/168
D469,751 S		2/2003	Kimura	.....	D14/156
6,515,948 B1		2/2003	Sakamoto	.....	369/47.32
6,535,462 B1		3/2003	Liu	.....	369/4
6,541,690 B1		4/2003	Segers, Jr.	.....	84/605
D491,915 S	*	6/2004	Warden	.....	D14/203
D496,922 S	*	10/2004	Kimura	.....	D14/156
2001/0017821 A1		8/2001	Inoue et al.	.....	369/32
2002/0181378 A1		12/2002	Bastian	.....	369/70
2003/0029305 A1		2/2003	Kent et al.	.....	84/645
2003/0046662 A1		3/2003	Matsunaga	.....	717/115
2003/0063066 A1		4/2003	Brown	.....	345/156

**FOREIGN PATENT DOCUMENTS**

JP	02002222588 A	8/2002
JP	02002245710 A	8/2002
WO	WO 97/01168	1/1997

\* cited by examiner

*Primary Examiner*—Nanda Bondade

(74) *Attorney, Agent, or Firm*—Barlow, Josephs & Holmes,  
Ltd.

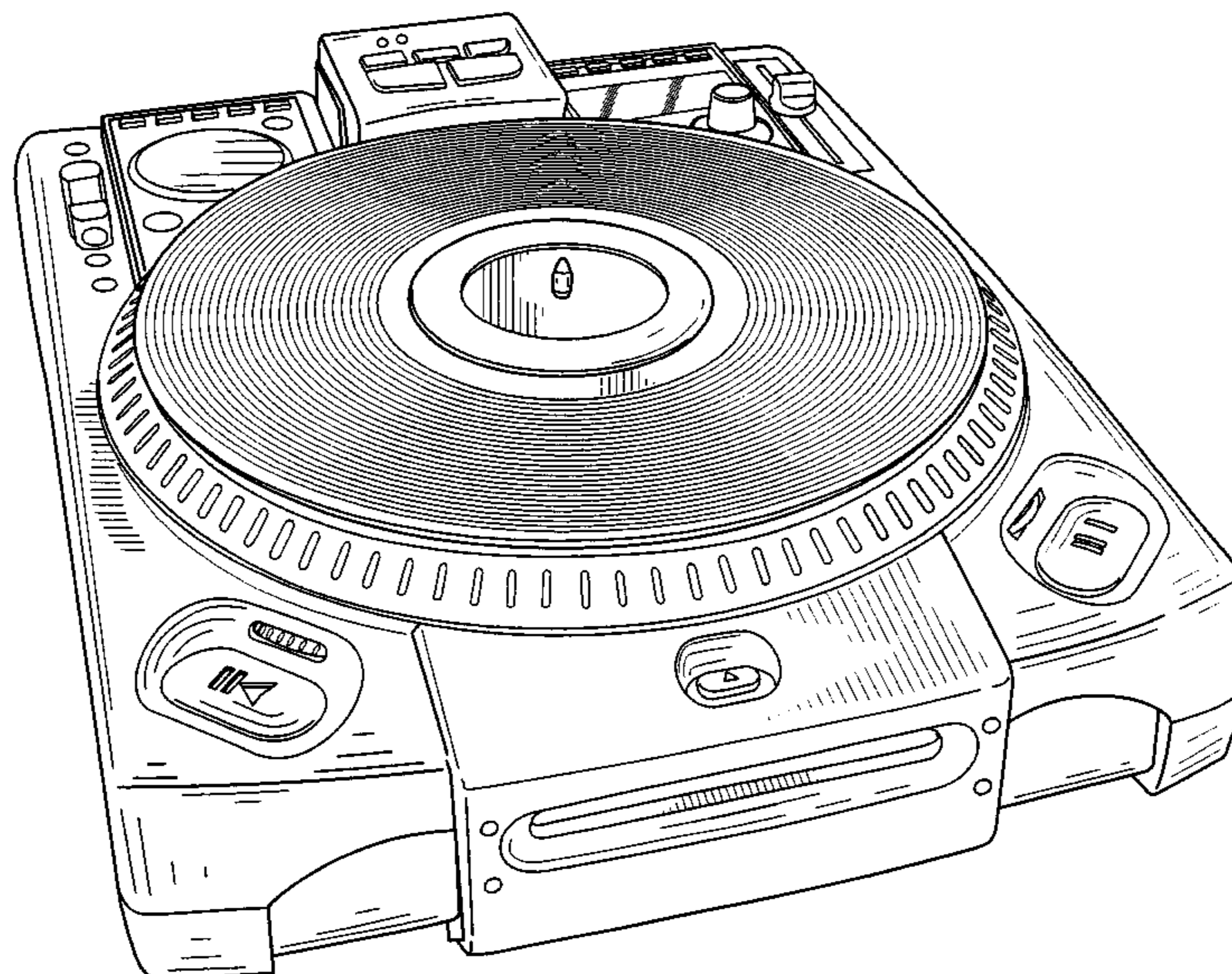
(57) **CLAIM**

The ornamental design for a record controlled sound play-  
back device, as shown and described.

**DESCRIPTION**

FIG. 1 is a front perspective view of the record controlled sound playback device showing the new design;  
FIG. 2 is a top view thereof;  
FIG. 3 is a bottom view thereof; the broken lines showing connection cables are for illustration purposes only and form no part of the invention;  
FIG. 4 is a left elevational view thereof;  
FIG. 5 is a right elevational view thereof;  
FIG. 6 is a front elevational view thereof; and,  
FIG. 7 is a rear elevational view thereof.

**1 Claim, 7 Drawing Sheets**



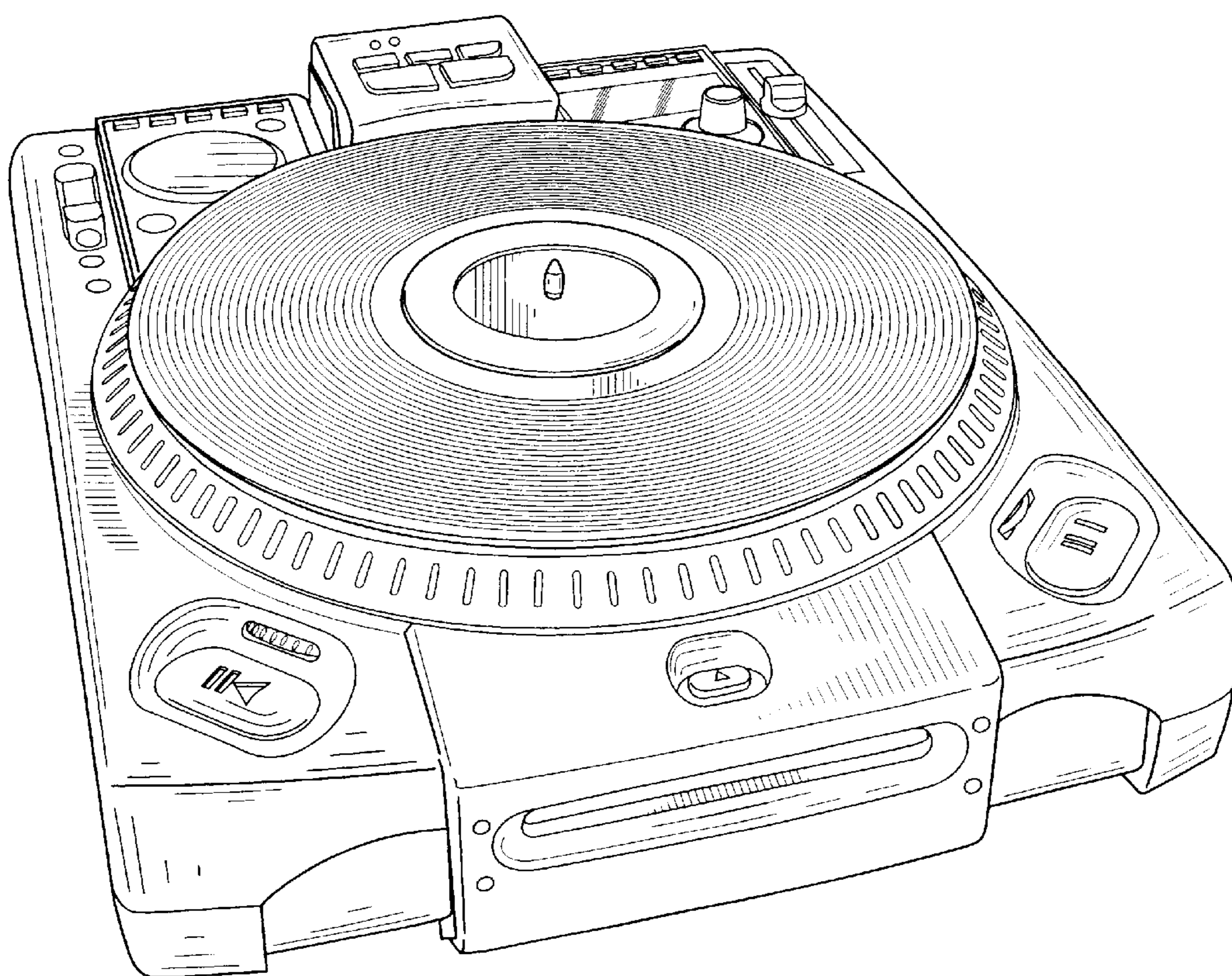


FIG. 1

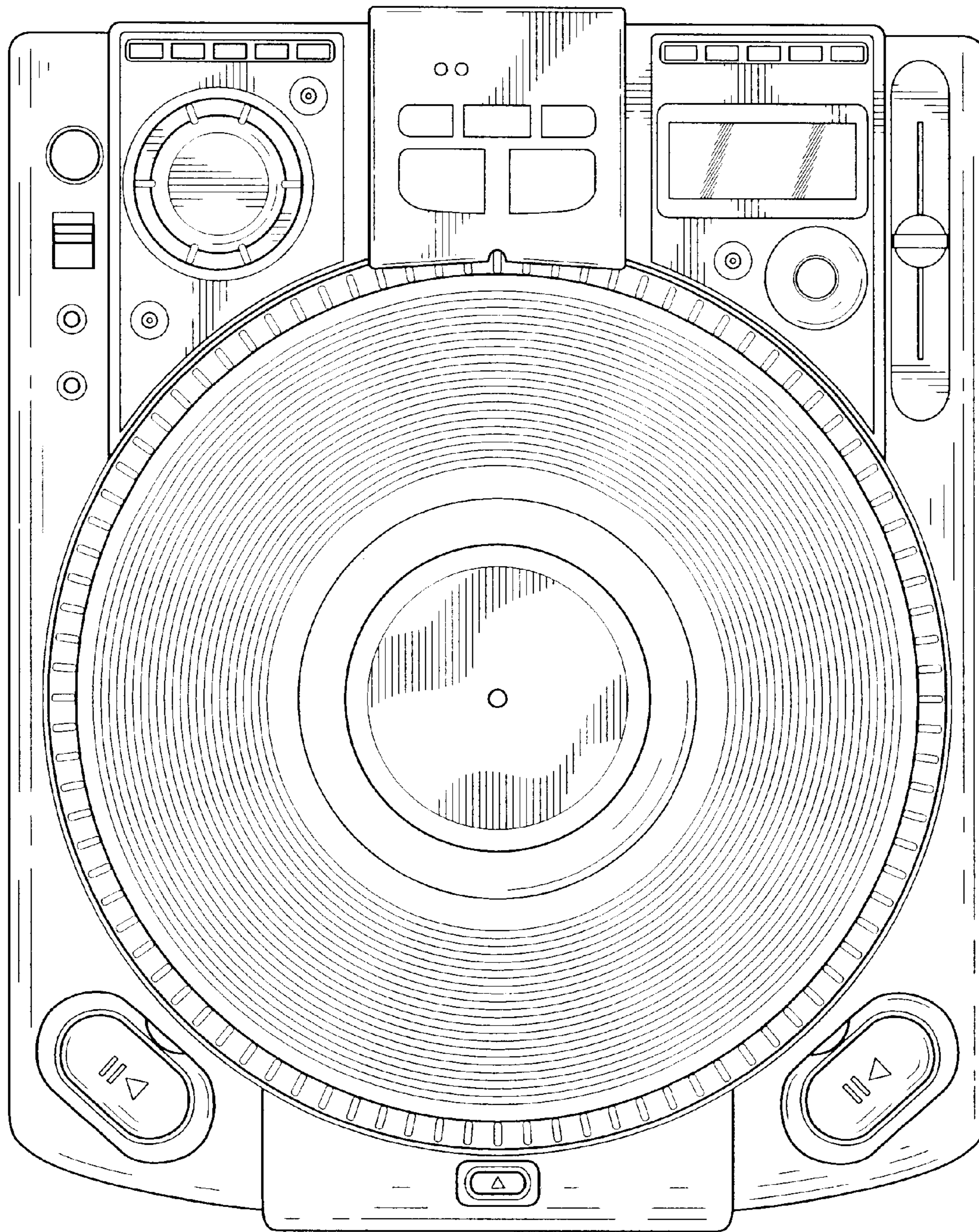
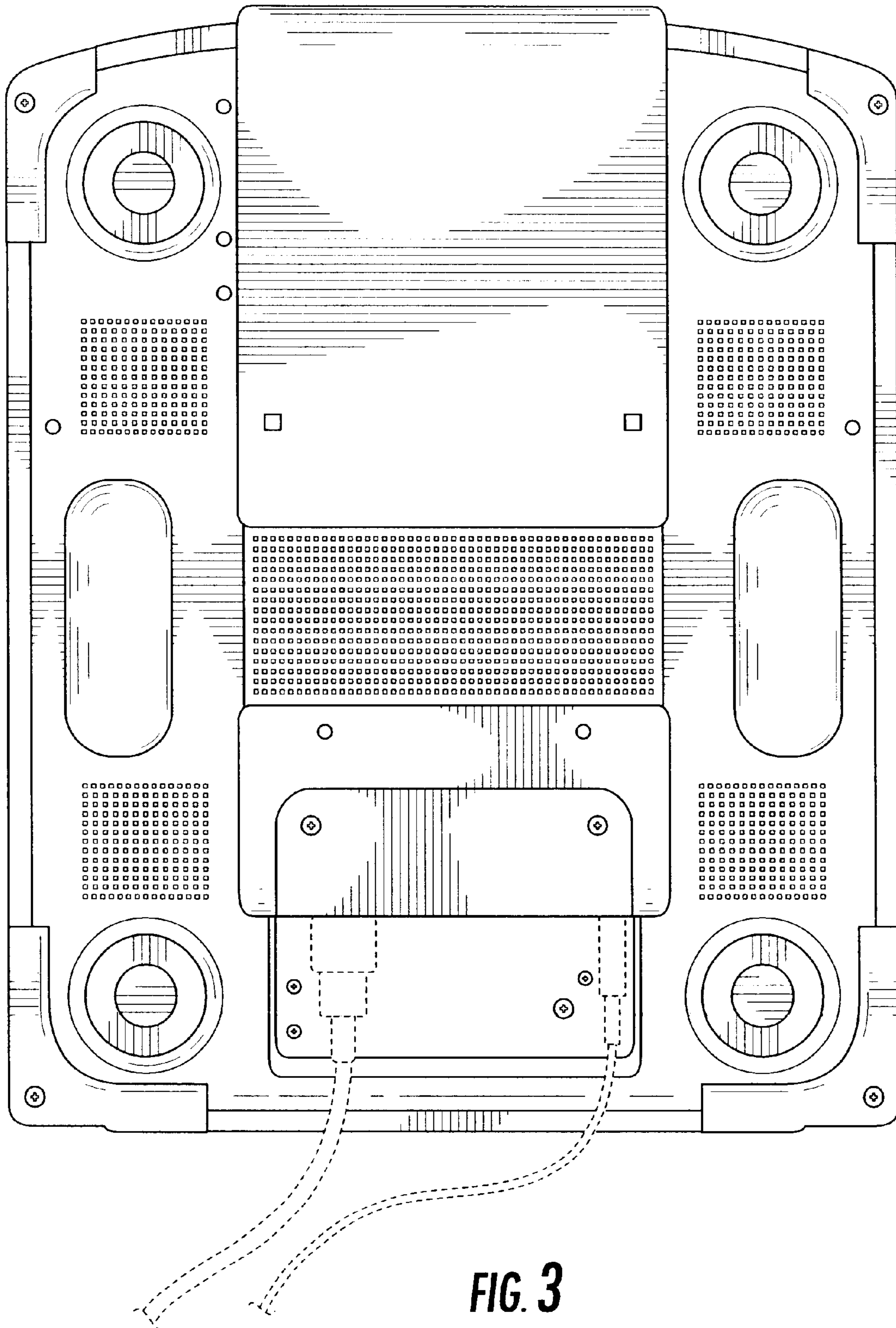
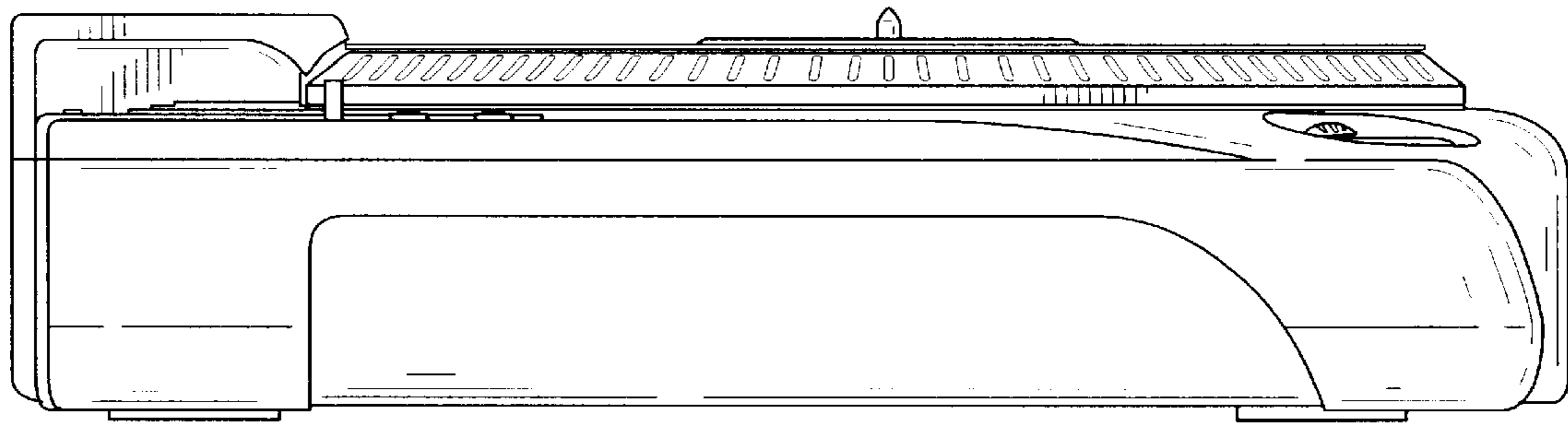


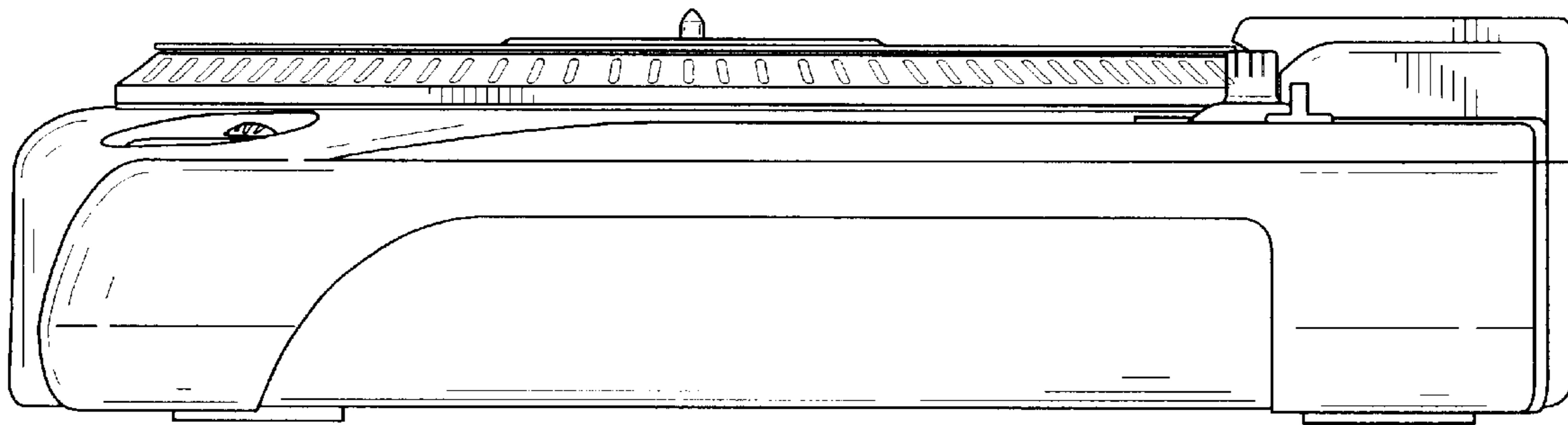
FIG. 2



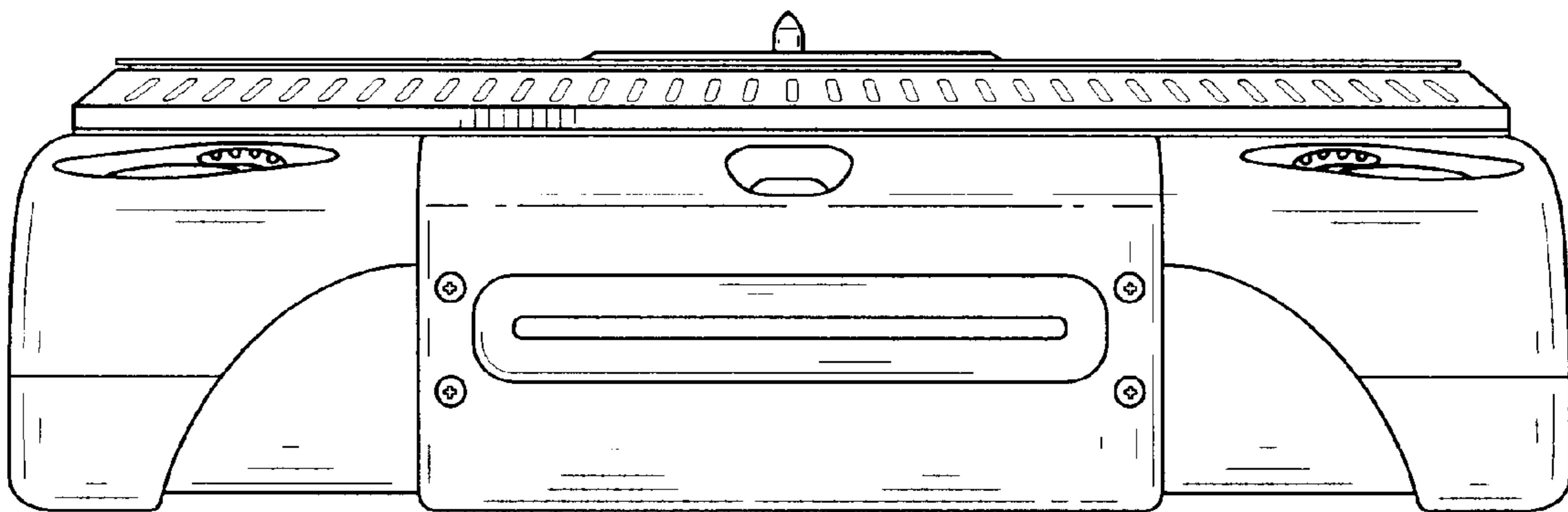
**FIG. 3**



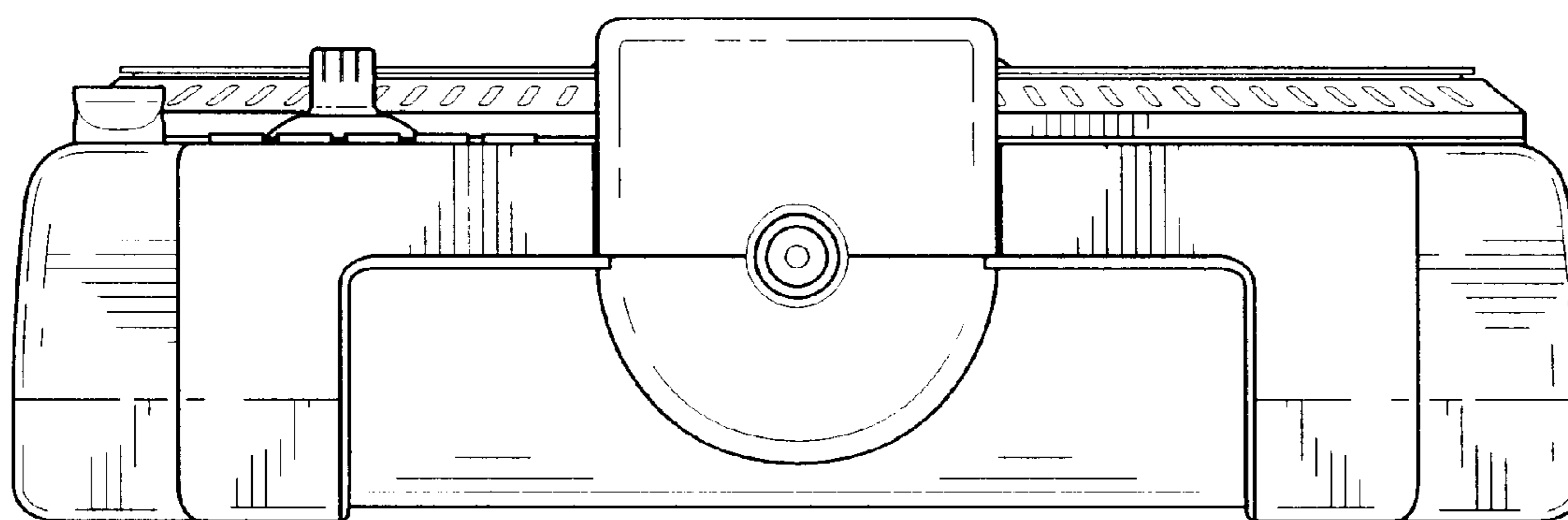
**FIG. 4**



**FIG. 5**



**FIG. 6**



**FIG. 7**