



US00D518813S

(12) **United States Design Patent**
Hirano

(10) **Patent No.:** **US D518,813 S**

(45) **Date of Patent:** **** Apr. 11, 2006**

(54) **COMBINED DISC PLAYER, RADIO RECEIVER AND TAPE RECORDER**

(75) Inventor: **Shinpei Hirano**, Tokyo (JP)

(73) Assignee: **Sony Corporation**, Tokyo (JP)

(**) Term: **14 Years**

(21) Appl. No.: **29/200,807**

(22) Filed: **Mar. 5, 2004**

(51) **LOC (8) Cl.** **14-01**

(52) **U.S. Cl.** **D14/168**

(58) **Field of Classification Search** D14/135-136,
D14/156-157, 160-165, 167-168, 192-198,
D14/188, 217, 257, 258, 445; 360/99.02,
360/99.07; 369/75.11, 75.21, 77.21, 77.11;
720/612, 619, 647, 655; 455/344, 347-351
See application file for complete search history.

(56) **References Cited**

U.S. PATENT DOCUMENTS

D294,692 S	*	3/1988	Urushihara et al.	D14/163
D298,933 S	*	12/1988	Camens et al.	D14/163
D303,800 S	*	10/1989	Newman	D14/195
5,781,853 A	*	7/1998	Johnson	455/351
D469,077 S	*	1/2003	Jerome	D14/168
D483,349 S		12/2003	Murakami	

OTHER PUBLICATIONS

Web page “CFD-G70” <http://www.sony.com/pa/corporate?Page=productosDetalies&model=CFD-G70&top=1039>, 2 sheets, Sony (Sep. 2003).

Weg page “CSD-A778” <http://www.jp.aiwa.com/products/audio/cdp/csd-a778.html>, AIWA (Aug. 2003).

Web page “AZ2055” <http://www.consumer.philips.com/global/b2c/ce/catalog/product.ihtml:isessionid=IO2N3W5N2MN...> 1 sheet, Philips (Aug. 2003).

Web page “AX1305” <http://www.consumer.philips.com/global/b2c/ce/catalog/product.ihtml:isessionid=IO2N3W5N2MN...>, 1 sheet, Philips (Aug. 2003).

* cited by examiner

Primary Examiner—Nanda Bondade

(74) *Attorney, Agent, or Firm*—Rader, Fishman & Grauer PLLC

(57) **CLAIM**

The ornamental design for a combined disc player, radio receiver and tape recorder, as shown and described.

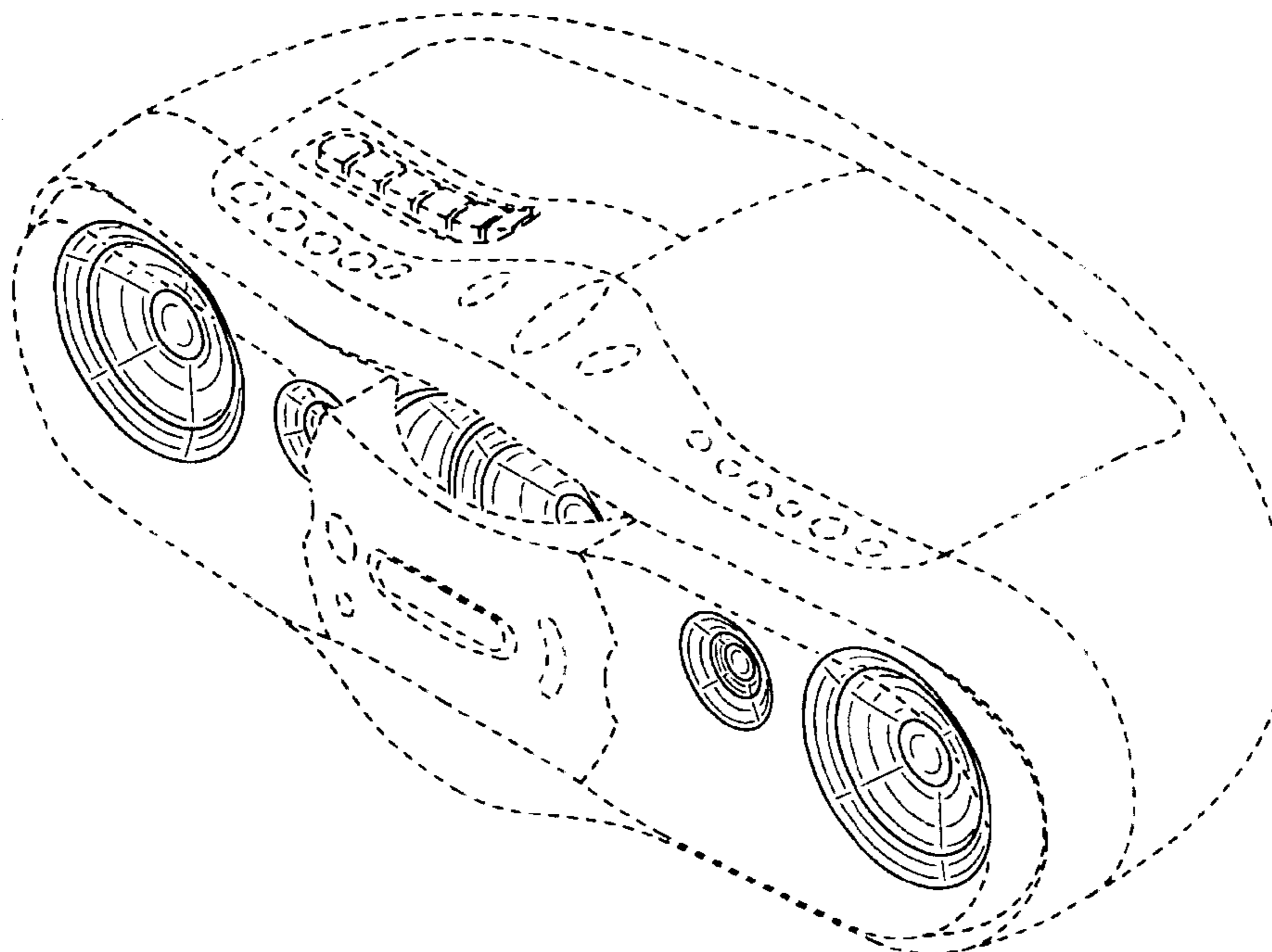
DESCRIPTION

FIG. 1 is a perspective view of a combined disc player, radio receiver and tape recorder showing my new design; and,

FIG. 2 is a front elevational view thereof.

Portions of FIGS. 1 and 2 that are shown as broken lines are for illustrative purpose only and form no part of the claimed design.

1 Claim, 2 Drawing Sheets



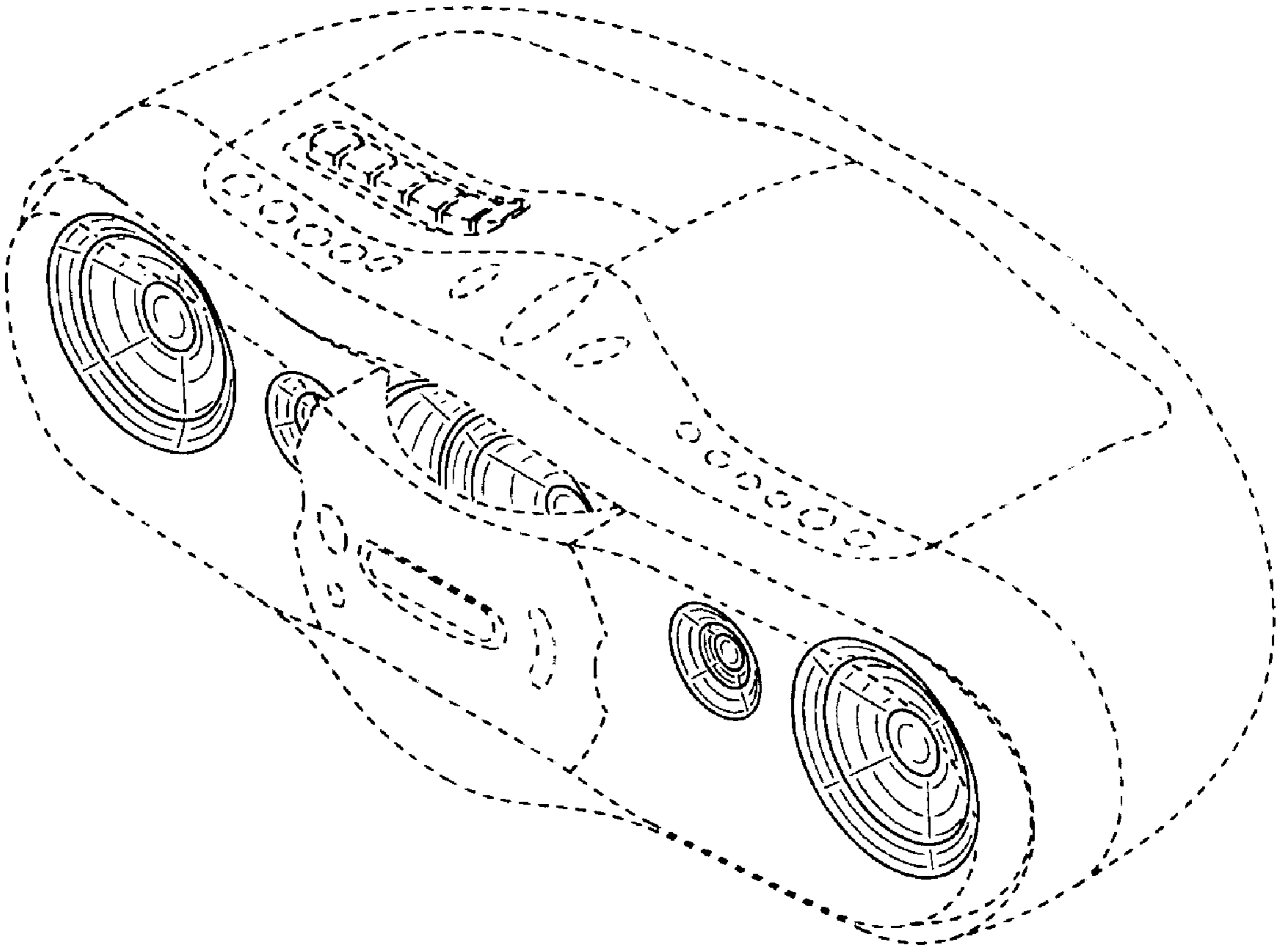


Fig. 1

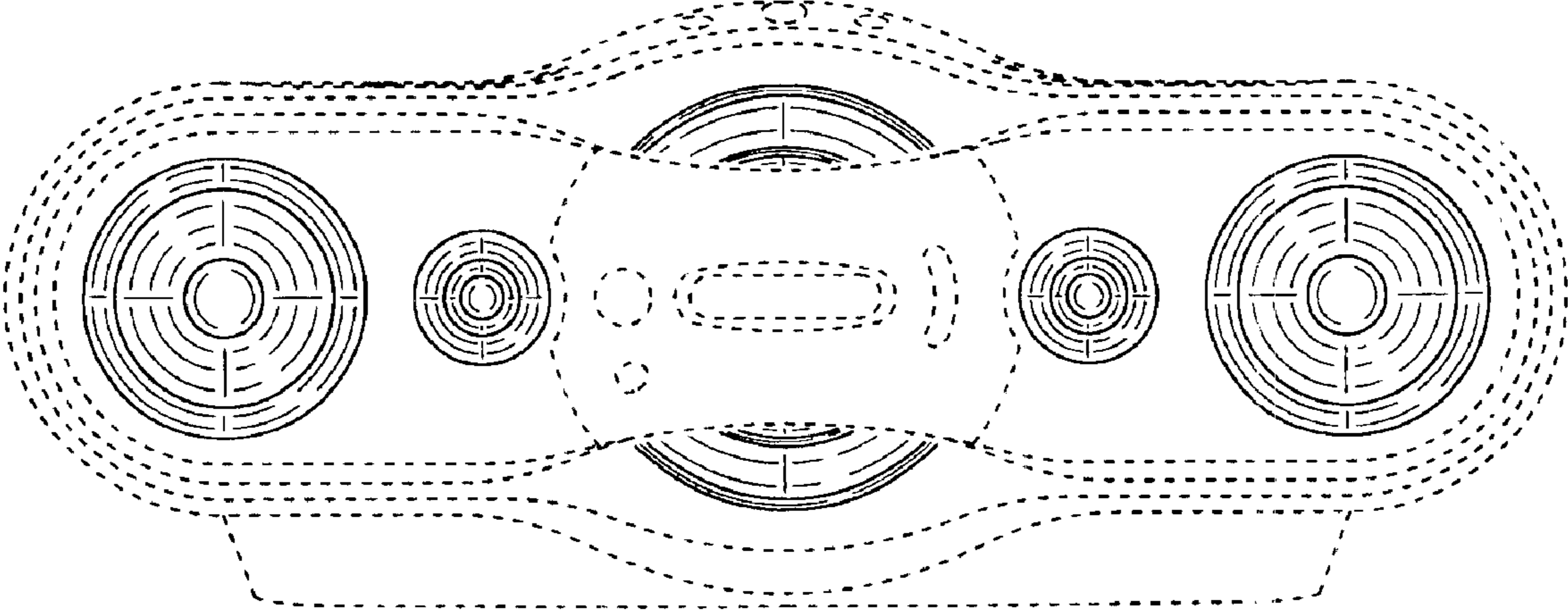


Fig.2