



US00D518812S

(12) **United States Design Patent**
Kim et al.

(10) **Patent No.:** **US D518,812 S**

(45) **Date of Patent:** **** Apr. 11, 2006**

(54) **CELLULAR PHONE**

(75) Inventors: **Nam Mi Kim**, Seoul (KR); **Min Hyouk Lee**, Kyunggi-do (KR); **Chang Hwan Hwang**, Kyunggi-do (KR)

(73) Assignee: **Samsung Electronics Co., Ltd.** (KR)

(**) Term: **14 Years**

(21) Appl. No.: **29/221,388**

(22) Filed: **Jan. 15, 2005**

(30) **Foreign Application Priority Data**

Jan. 3, 2005 (KR) 30-2005-0000043

(51) **LOC (8) Cl.** **14-03**

(52) **U.S. Cl.** **D14/138**

(58) **Field of Classification Search** D14/137,
D14/138, 147-148, 247-248, 144, 341-347;
379/433.01-433.13, 434; D21/517; 455/575.3,
455/566, 575.1, 550.1-90.3; 345/169; 348/376,
348/14.02

See application file for complete search history.

(56) **References Cited**

U.S. PATENT DOCUMENTS

6,731,959	B1	*	5/2004	Kumagai et al.	455/575.3
D490,792	S	*	6/2004	Lee	D14/138
D495,672	S	*	9/2004	Jeon et al.	D14/138
D496,016	S	*	9/2004	Hoo	D14/138
D496,020	S	*	9/2004	Lee	D14/138
D497,894	S	*	11/2004	Kim	D14/138
D498,468	S	*	11/2004	Seo	D14/138
D500,994	S	*	1/2005	Lee et al.	D14/138
D501,838	S	*	2/2005	Kim et al.	D14/138
D501,839	S	*	2/2005	Lee et al.	D14/138
D502,457	S	*	3/2005	Eigenstetter et al.	D14/138
D502,458	S	*	3/2005	Chung et al.	D14/138
D502,459	S	*	3/2005	Lee et al.	D14/138
D503,697	S	*	4/2005	Kim	D14/138
D505,125	S	*	5/2005	Ahn et al.	D14/138
D506,454	S	*	6/2005	Kim et al.	D14/138
D507,251	S	*	7/2005	Burns et al.	D14/138
D507,252	S	*	7/2005	Kim et al.	D14/138
D507,554	S	*	7/2005	Kim	D14/138

D507,787	S	*	7/2005	Ahn et al.	D14/138
D508,032	S	*	8/2005	Kim et al.	D14/138
D508,034	S	*	8/2005	Liao	D14/138
D508,035	S	*	8/2005	Kim et al.	D14/138
D508,036	S	*	8/2005	Wada	D14/138
D508,475	S	*	8/2005	Wu et al.	D14/138
D508,685	S	*	8/2005	Kim et al.	D14/138
D508,903	S	*	8/2005	Kim et al.	D14/138
D510,078	S	*	9/2005	Lee et al.	D14/138
2002/0187818	A1	*	12/2002	Kang	455/575
2004/0137940	A1	*	7/2004	Matsunami	455/550.1
2004/0142734	A1	*	7/2004	Kim	455/575.1
2004/0203535	A1	*	10/2004	Kim et al.	455/90.3
2005/0003852	A1	*	1/2005	Song	455/550.1
2005/0113156	A1	*	5/2005	Park et al.	455/575.4
2005/0130718	A1	*	6/2005	Woo	455/575.3
2005/0186985	A1	*	8/2005	Im et al.	455/550.1

FOREIGN PATENT DOCUMENTS

JP 1154363 * 9/2002

* cited by examiner

Primary Examiner—Jeffrey Asch

(74) *Attorney, Agent, or Firm*—Irving Keschner

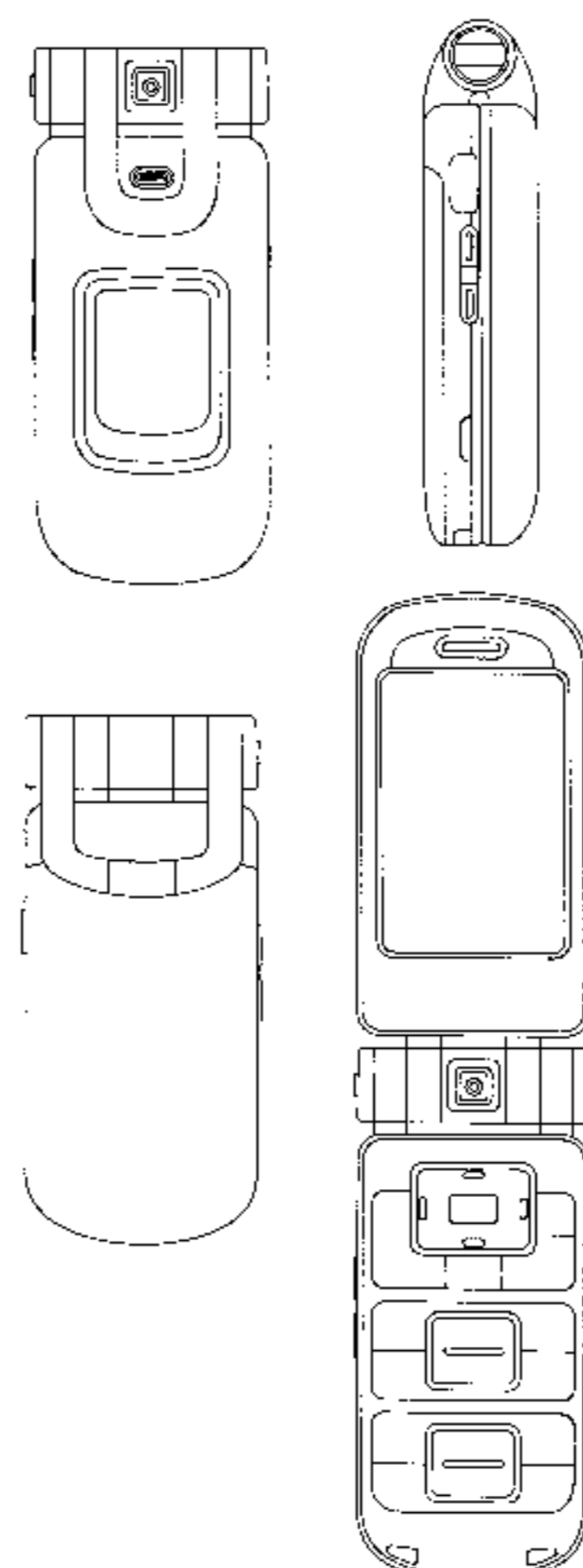
(57) **CLAIM**

The ornamental design for cellular phone, as shown.

DESCRIPTION

FIG. 1 is a perspective view of the ornamental design of the present invention;
 FIG. 2 is a front elevational view of the ornamental design of the present invention;
 FIG. 3 is a rear elevational view of the ornamental design of the present invention;
 FIG. 4 is a left side elevational view of the ornamental design of the present invention;
 FIG. 5 is a right side elevational view of the ornamental design of the present invention;
 FIG. 6 is a top plan view of the ornamental design of the present invention;
 FIG. 7 is a bottom view of the ornamental design of the present invention; and,
 FIG. 8 illustrates the cellular phone of the present invention in the open, or operating position.

1 Claim, 3 Drawing Sheets



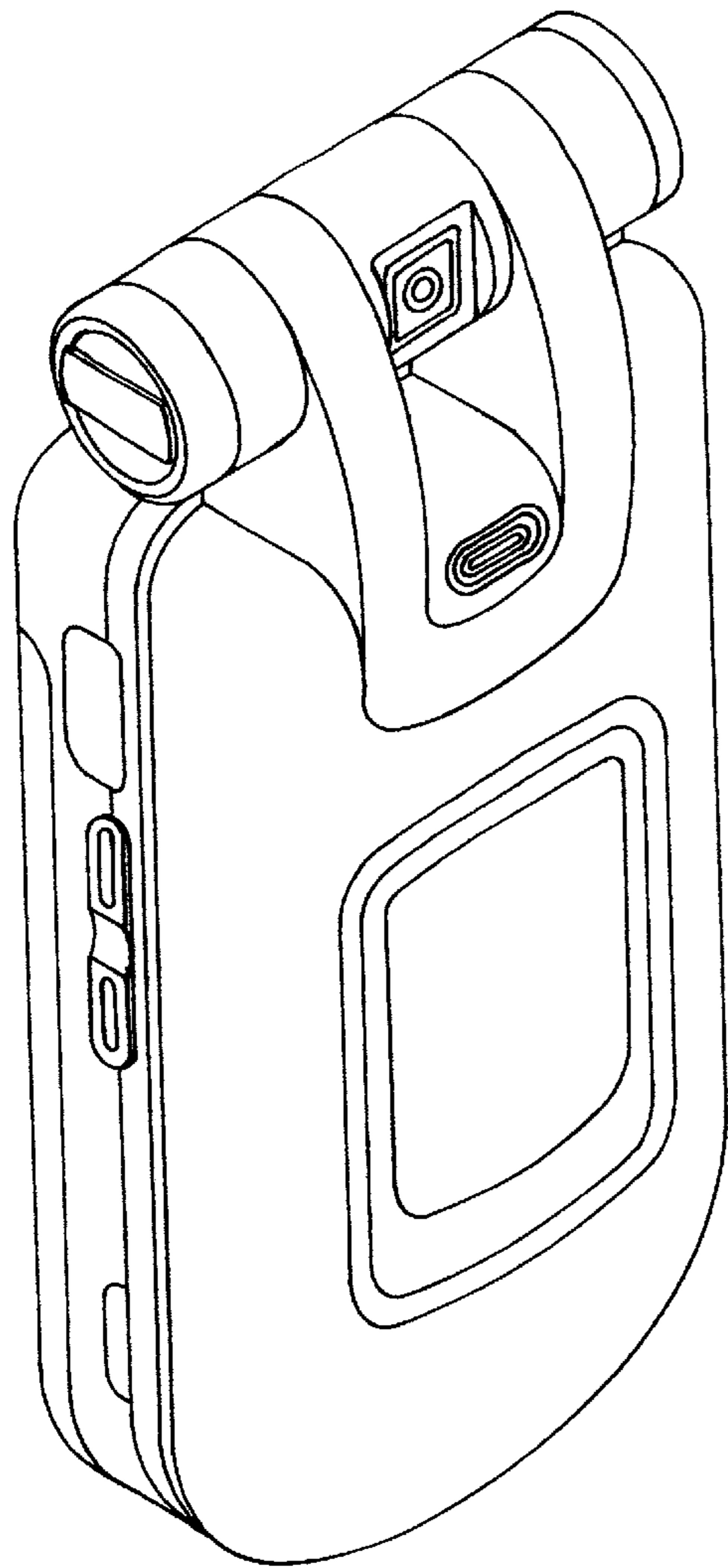


FIG. 1

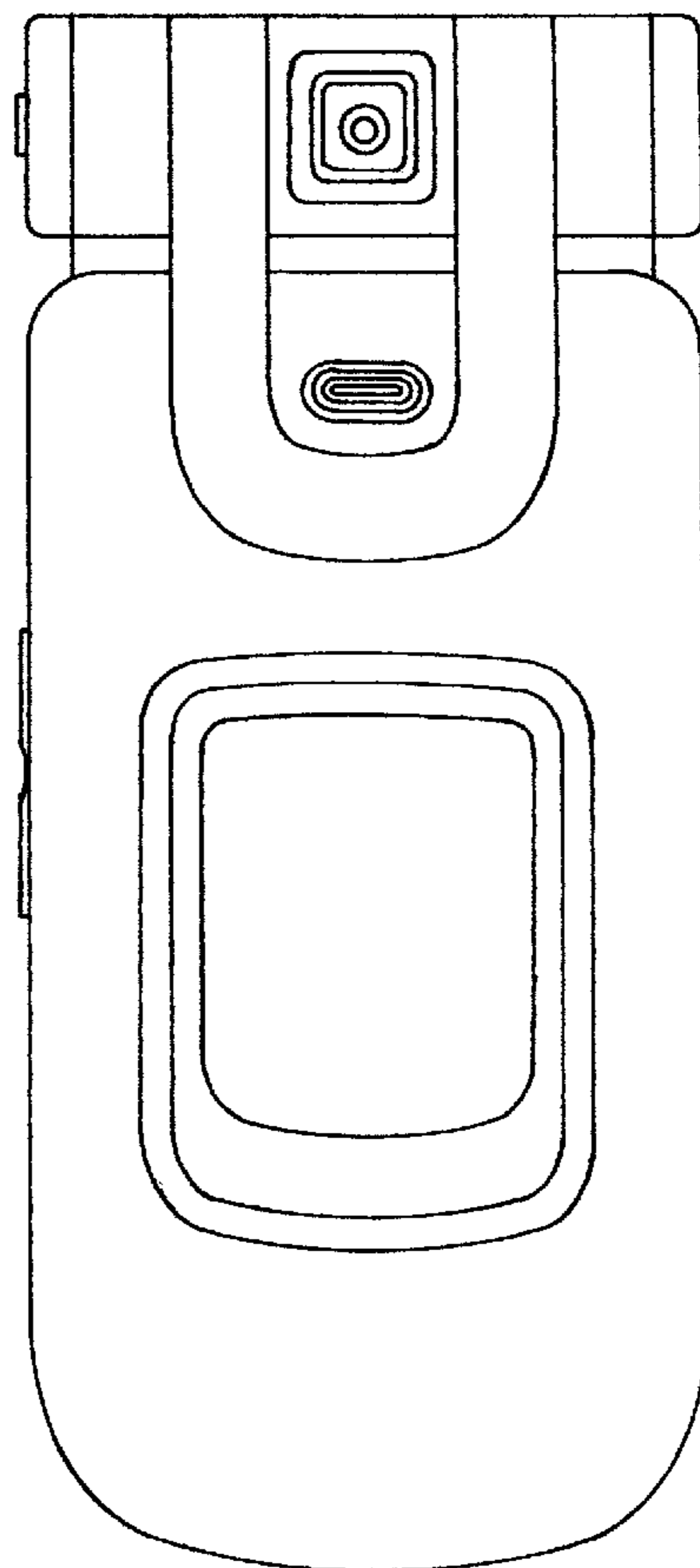


FIG. 2

FIG. 3

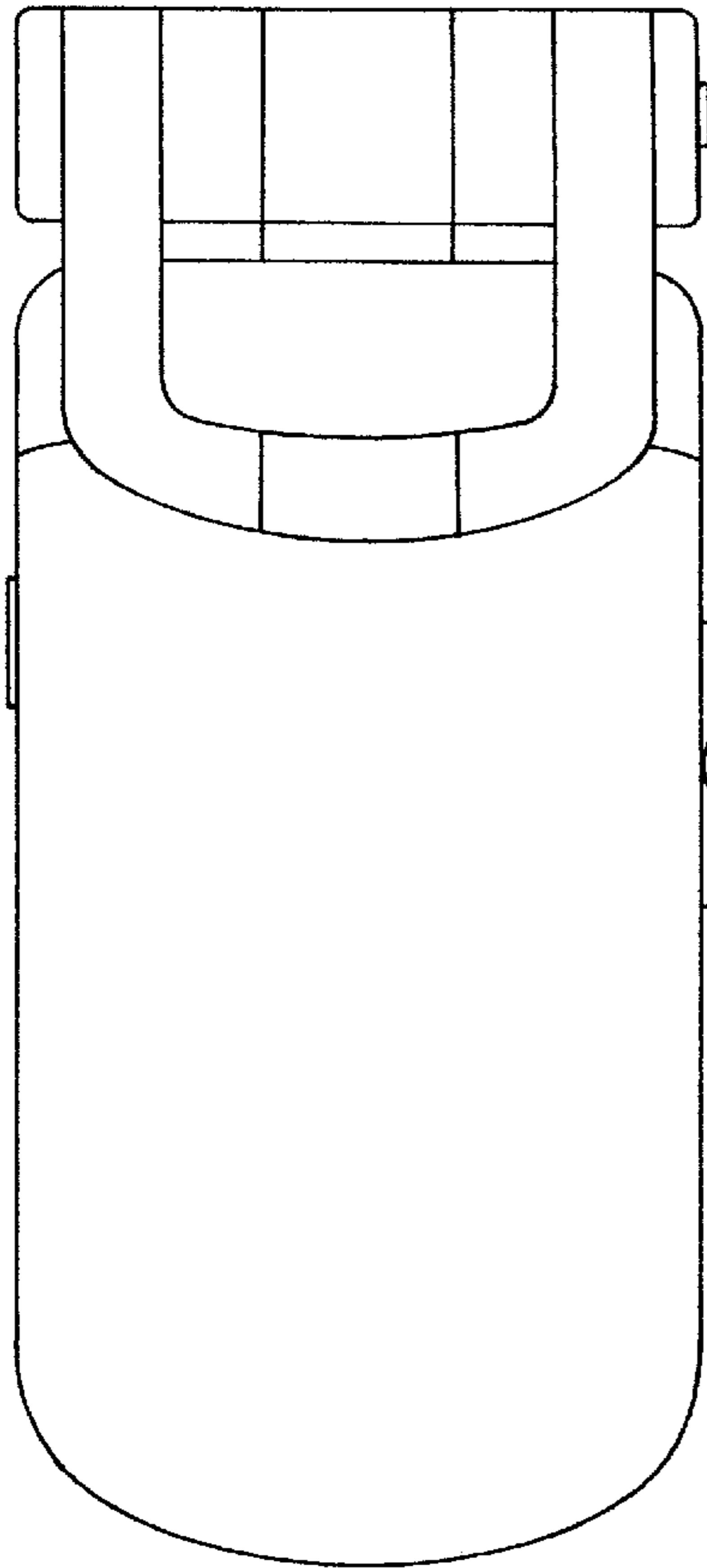


FIG. 4

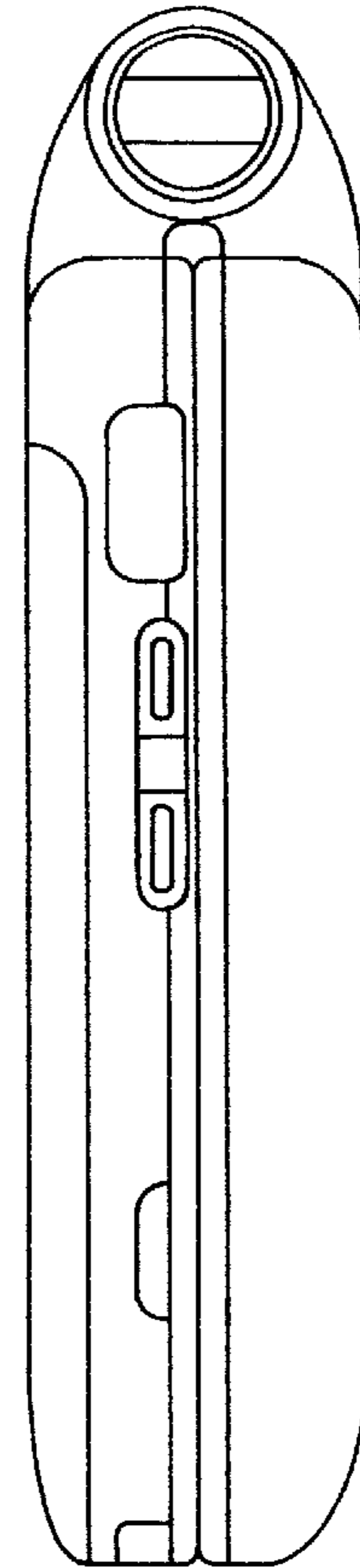
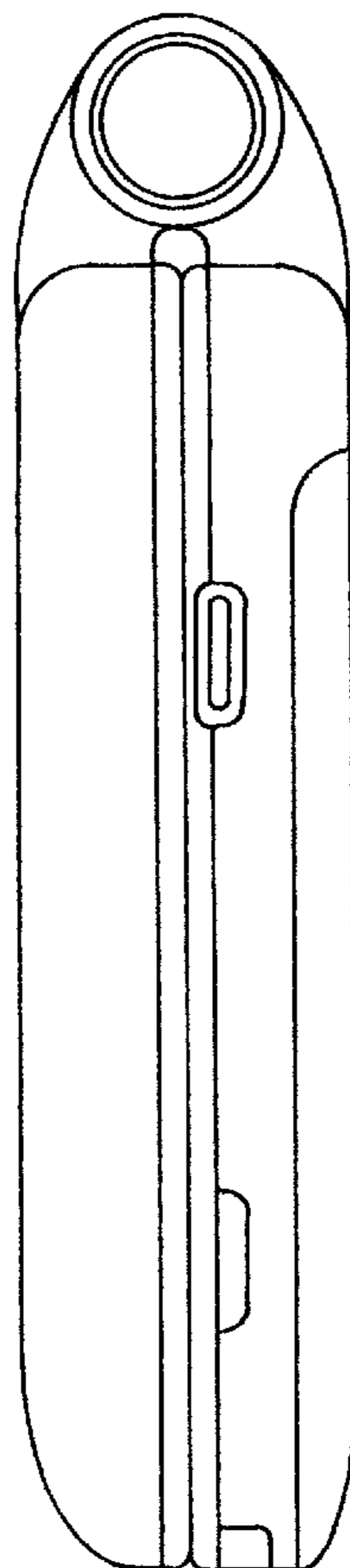


FIG. 5



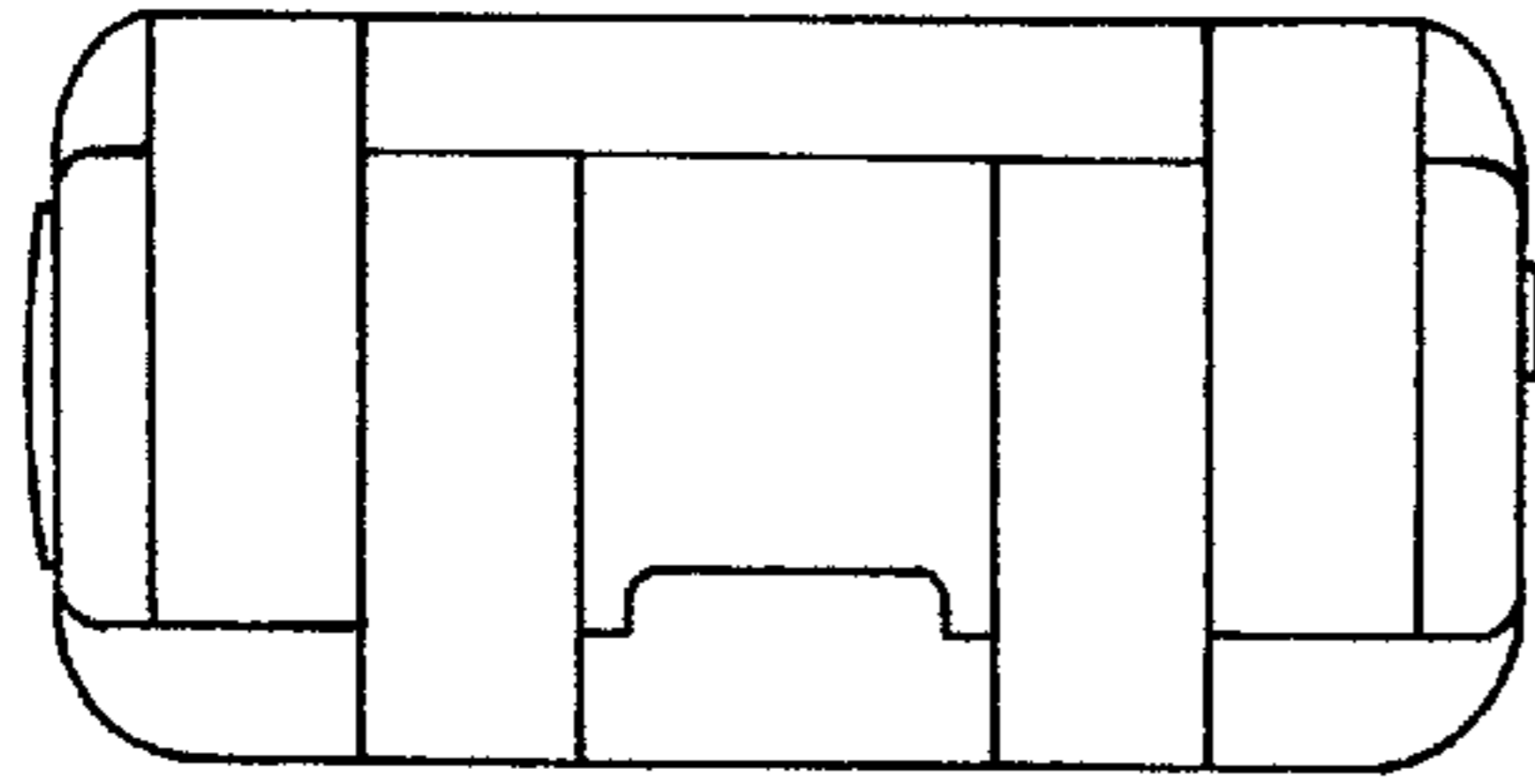


FIG. 6

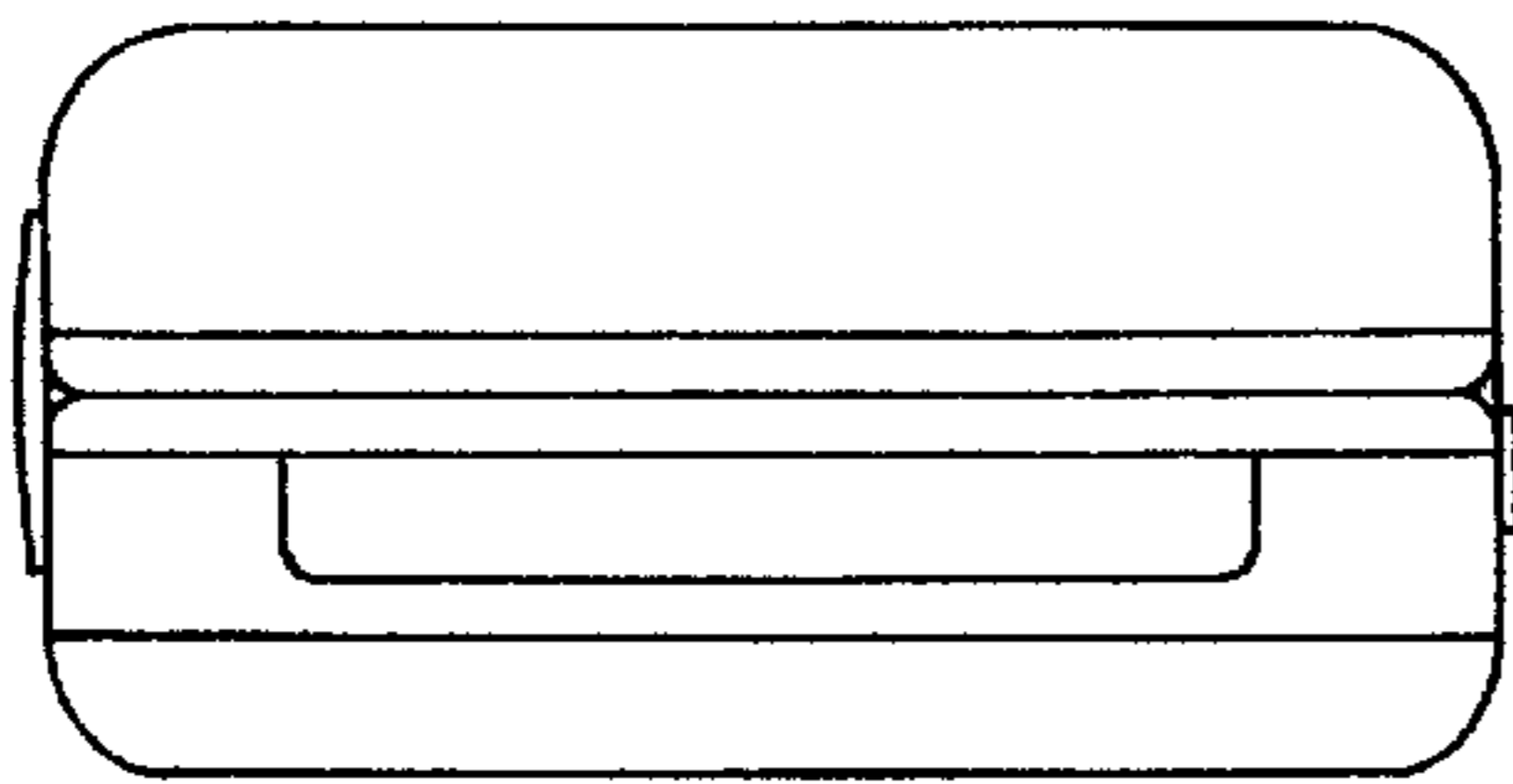


FIG. 7

FIG. 8

