



US00D518808S

(12) **United States Design Patent**
Lee

(10) **Patent No.:** **US D518,808 S**
(45) **Date of Patent:** **** Apr. 11, 2006**

(54) **CELLULAR PHONE**

(75) Inventor: **Young Keun Lee**, Seoul (KR)

(73) Assignee: **Samsung Electronics Co., Ltd.** (KR)

(**) Term: **14 Years**

(21) Appl. No.: **29/218,939**

(22) Filed: **Dec. 9, 2004**

(30) **Foreign Application Priority Data**

Dec. 3, 2004 (KR) 30-2004-0037068

(51) **LOC (8) Cl.** **14-03**

(52) **U.S. Cl.** **D14/138**

(58) **Field of Classification Search** D14/137,
D14/138, 147-148, 247-248, 144, 341-347;
379/433.01-433.13, 434; D21/517; 455/575.3,
455/566, 575.1; 345/169
See application file for complete search history.

(56) **References Cited**

U.S. PATENT DOCUMENTS

D443,865 S	*	6/2001	Kim	D14/138
D445,412 S	*	7/2001	Lee et al.	D14/138
D447,128 S	*	8/2001	Lee et al.	D14/138
D469,070 S	*	1/2003	Lee	D14/138
D481,697 S	*	11/2003	Rausch et al.	D14/138
D484,863 S	*	1/2004	Chan	D14/138
D487,443 S	*	3/2004	Yoon	D14/138
D488,805 S	*	4/2004	Arnholt et al.	D14/248
D489,699 S	*	5/2004	Hwang et al.	D14/138
D491,907 S	*	6/2004	Ogawa	D14/138
D494,946 S	*	8/2004	Rausch et al.	D14/138
D496,347 S	*	9/2004	Choi et al.	D14/191
D497,893 S	*	11/2004	Hwang et al.	D14/138
D500,016 S	*	12/2004	Kim	D14/138
D502,457 S	*	3/2005	Eigenstetter et al.	D14/138
D502,458 S	*	3/2005	Chung et al.	D14/138
D504,406 S	*	4/2005	Cho et al.	D14/138
D505,124 S	*	5/2005	Takada	D14/138
D506,453 S	*	6/2005	Choi et al.	D14/138

D506,454 S	*	6/2005	Kim et al.	D14/138
D506,738 S	*	6/2005	Kim et al.	D14/138
D507,255 S	*	7/2005	Watanabe et al.	D14/138
D507,552 S	*	7/2005	Liang	D14/138
D507,554 S	*	7/2005	Kim	D14/138
D507,788 S	*	7/2005	Li et al.	D14/138
D508,030 S	*	8/2005	Jeoung et al.	D14/138
D508,033 S	*	8/2005	Kim et al.	D14/138
D508,034 S	*	8/2005	Liao	D14/138
D508,475 S	*	8/2005	Wu et al.	D14/138
2004/0214619 A1	*	10/2004	Chiang	455/575.3

FOREIGN PATENT DOCUMENTS

JP	1183170	*	8/2003
JP	1188710	*	10/2003
WO	DM066630	*	5/2005

* cited by examiner

Primary Examiner—Jeffrey Asch

(74) *Attorney, Agent, or Firm*—Irving Keschner

(57) **CLAIM**

The ornamental design for cellular phone, as shown.

DESCRIPTION

FIG. 1 is a front perspective view of the ornamental design of the present invention;
 FIG. 2 is a front elevational view of the ornamental design of the present invention;
 FIG. 3 is a rear elevational view of the ornamental design of the present invention;
 FIG. 4 is a left side elevational view of the ornamental design of the present invention;
 FIG. 5 is a right side elevational view of the ornamental design of the present invention;
 FIG. 6 is a top plan view of the ornamental design of the present invention;
 FIG. 7 is a bottom view of the ornamental design of the present invention; and,
 FIG. 8 illustrates the cellular phone of the present invention on the open, or operating, position.

1 Claim, 3 Drawing Sheets

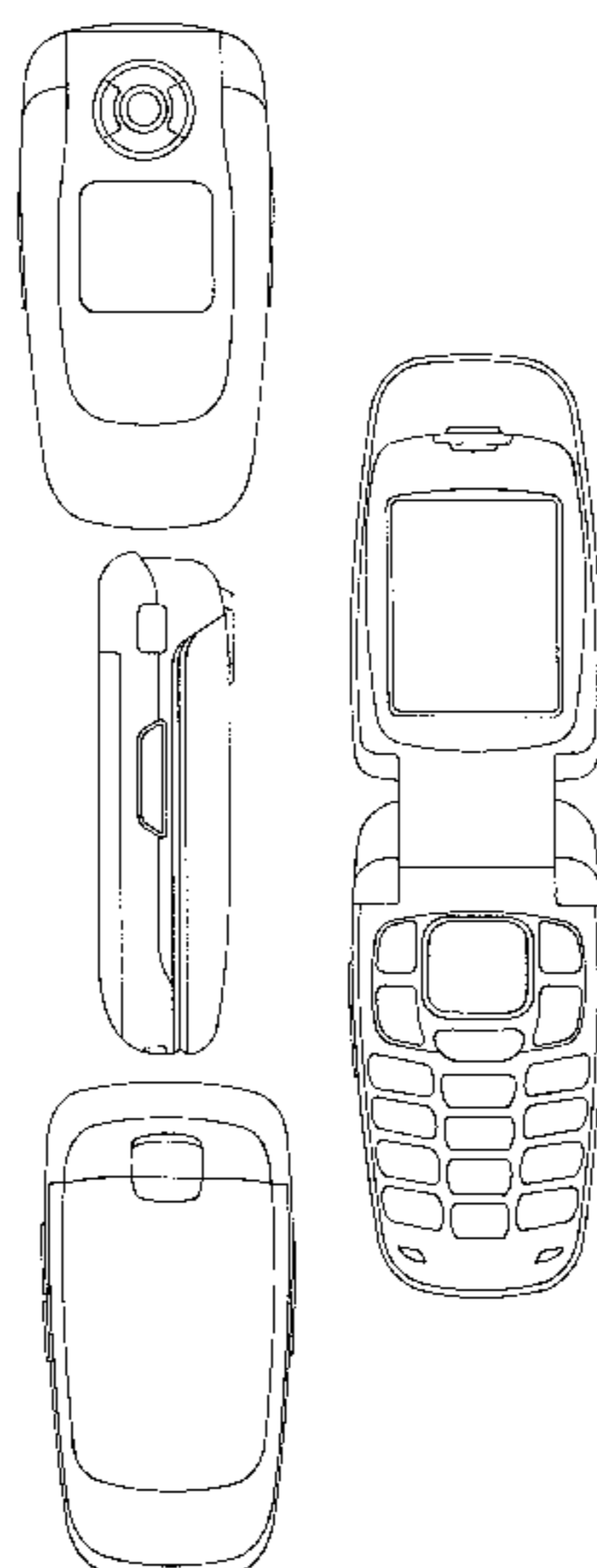


FIG. 1

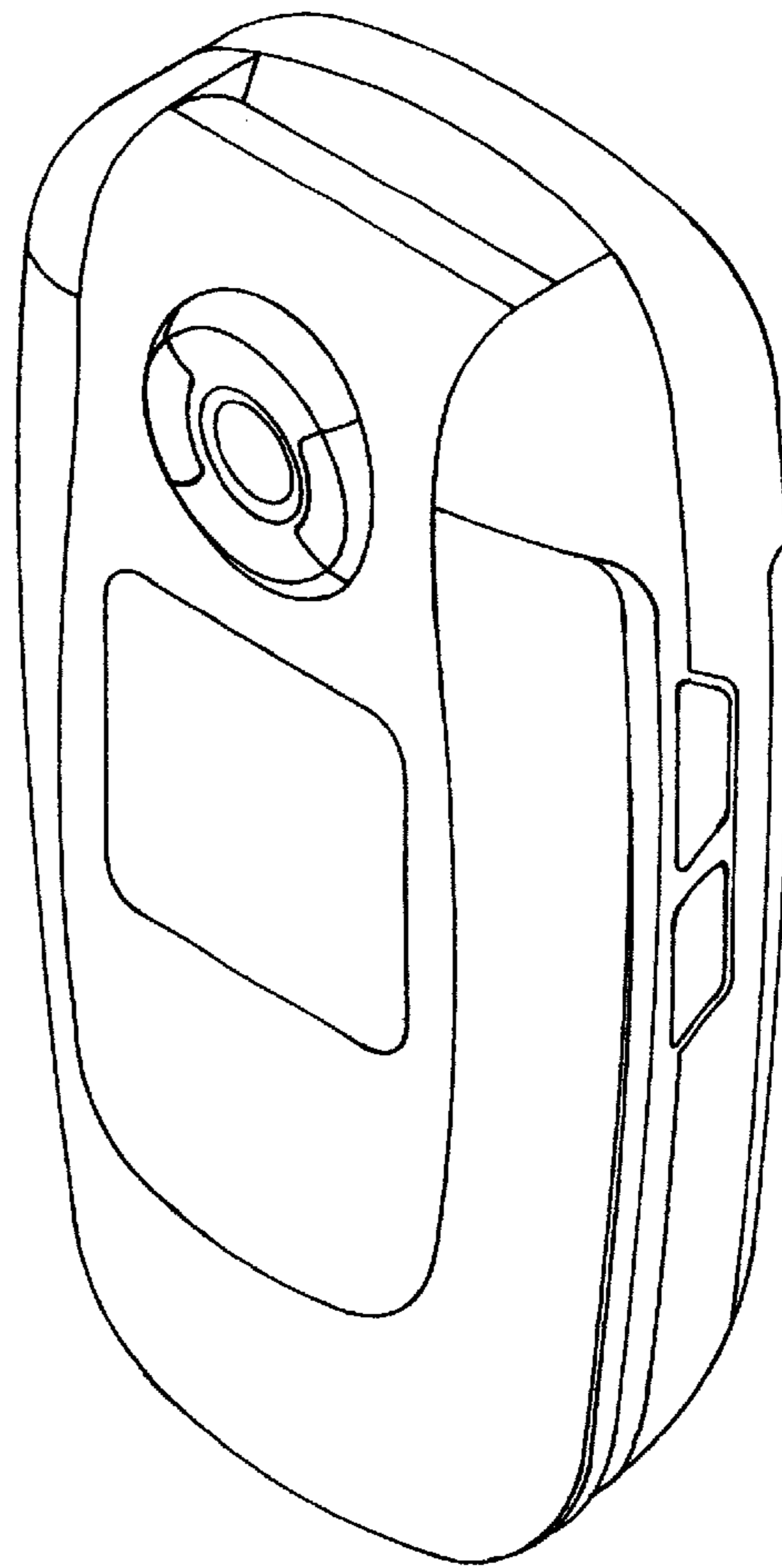


FIG. 2

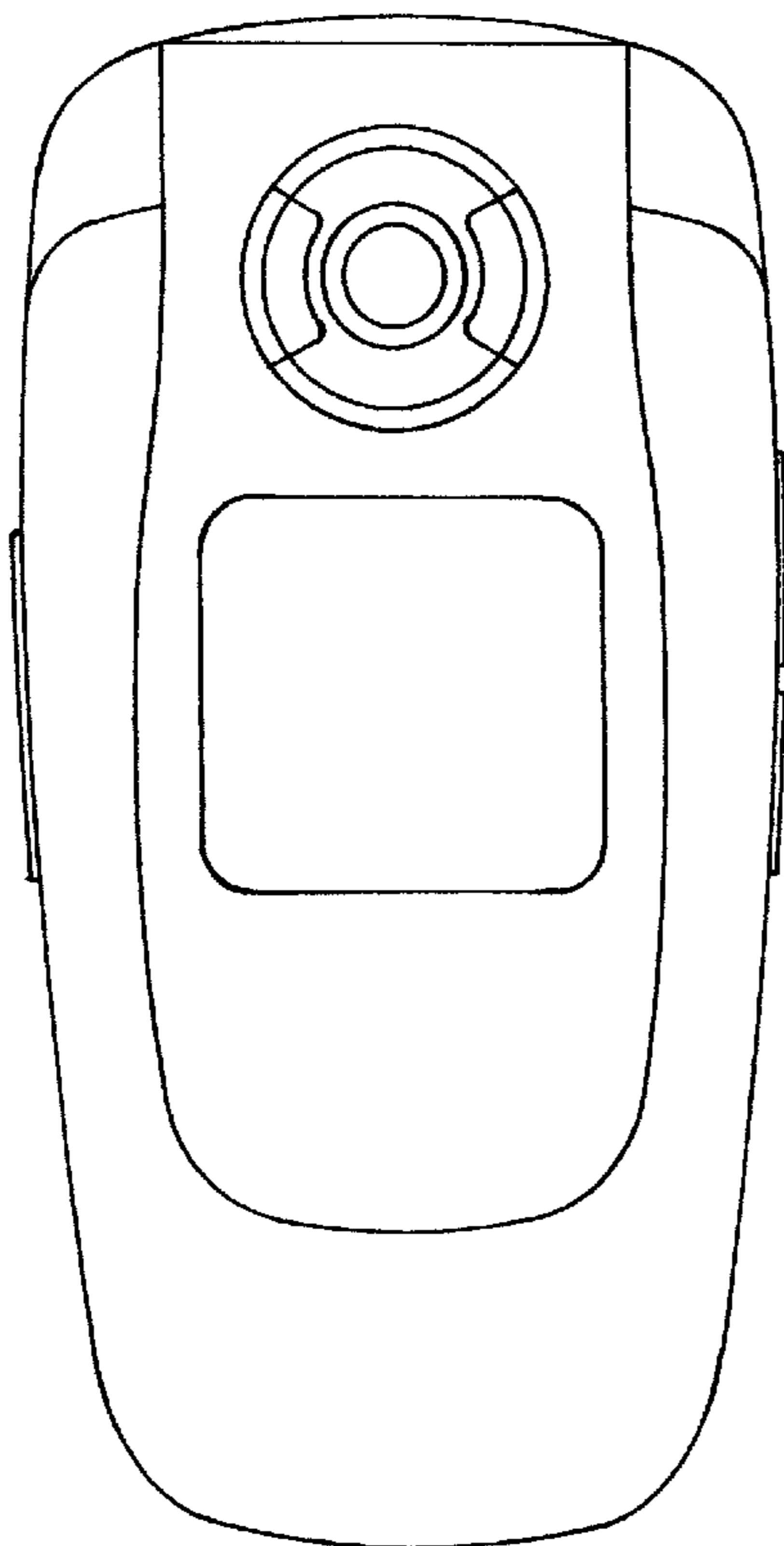


FIG. 3

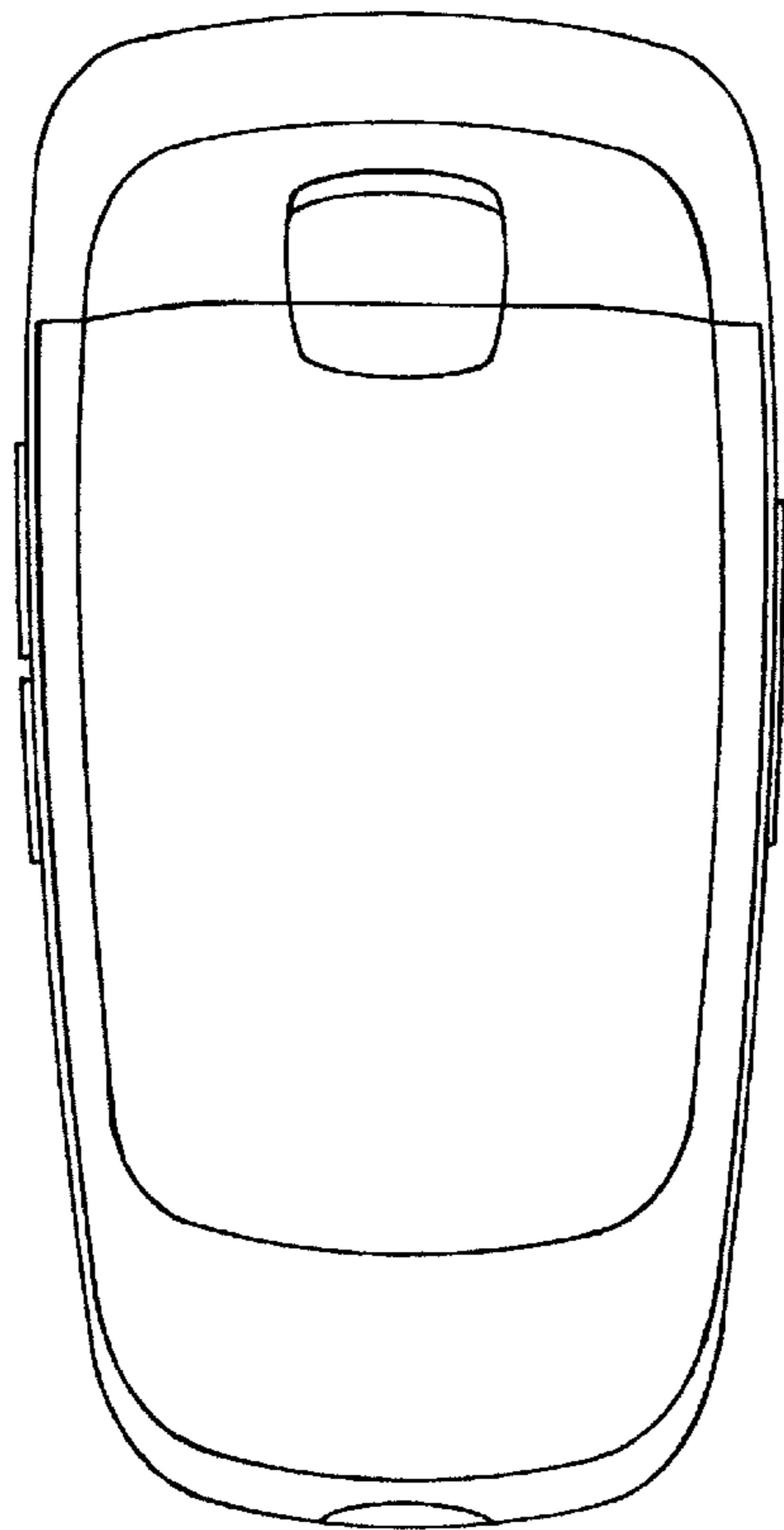


FIG. 4

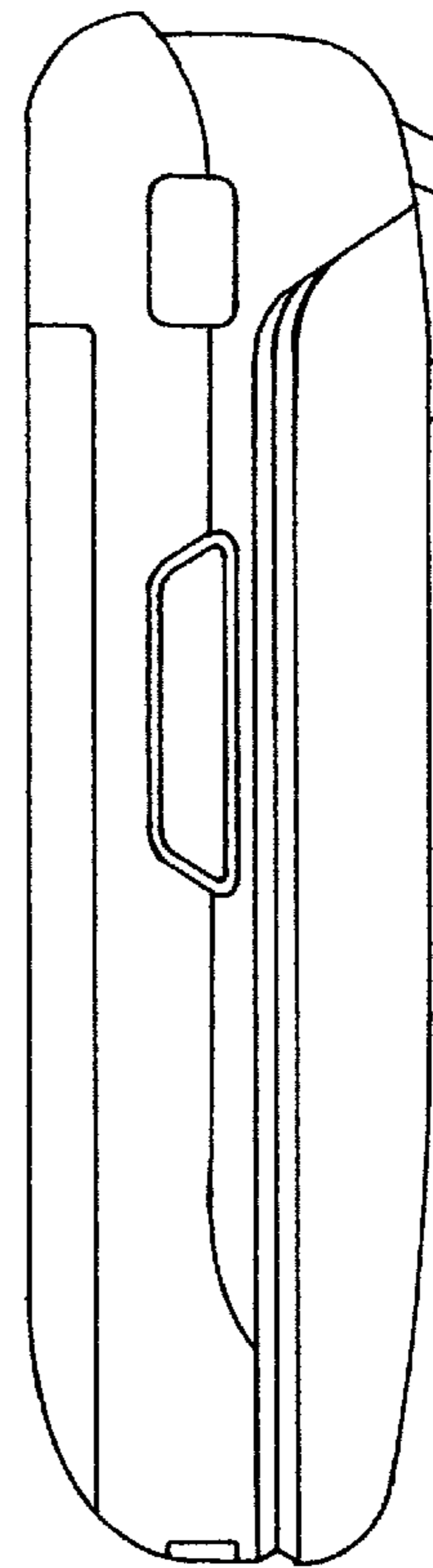


FIG. 5

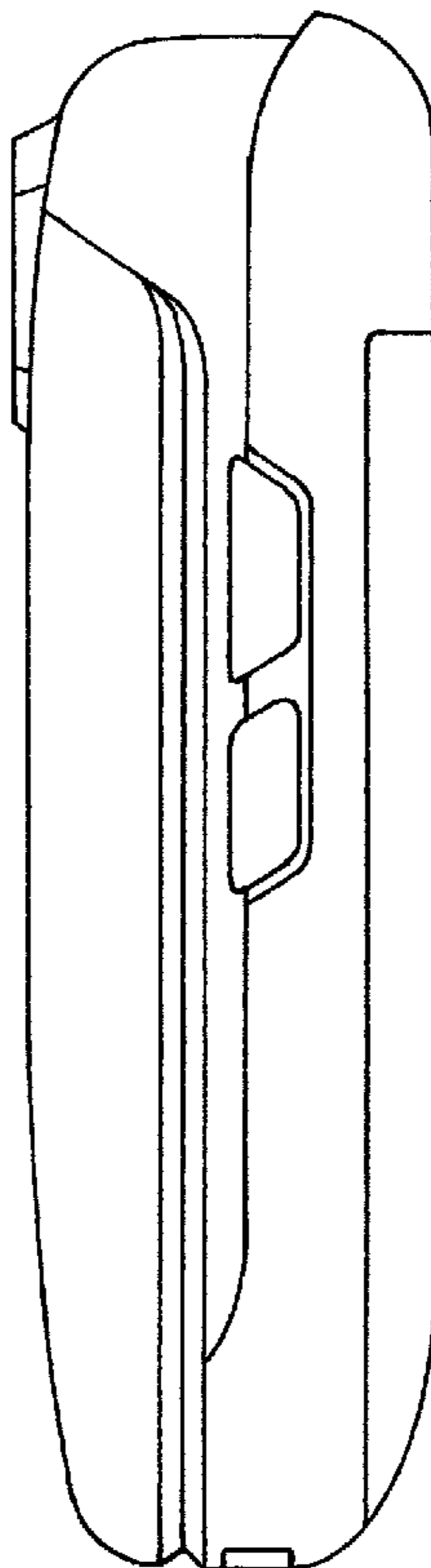


FIG. 6

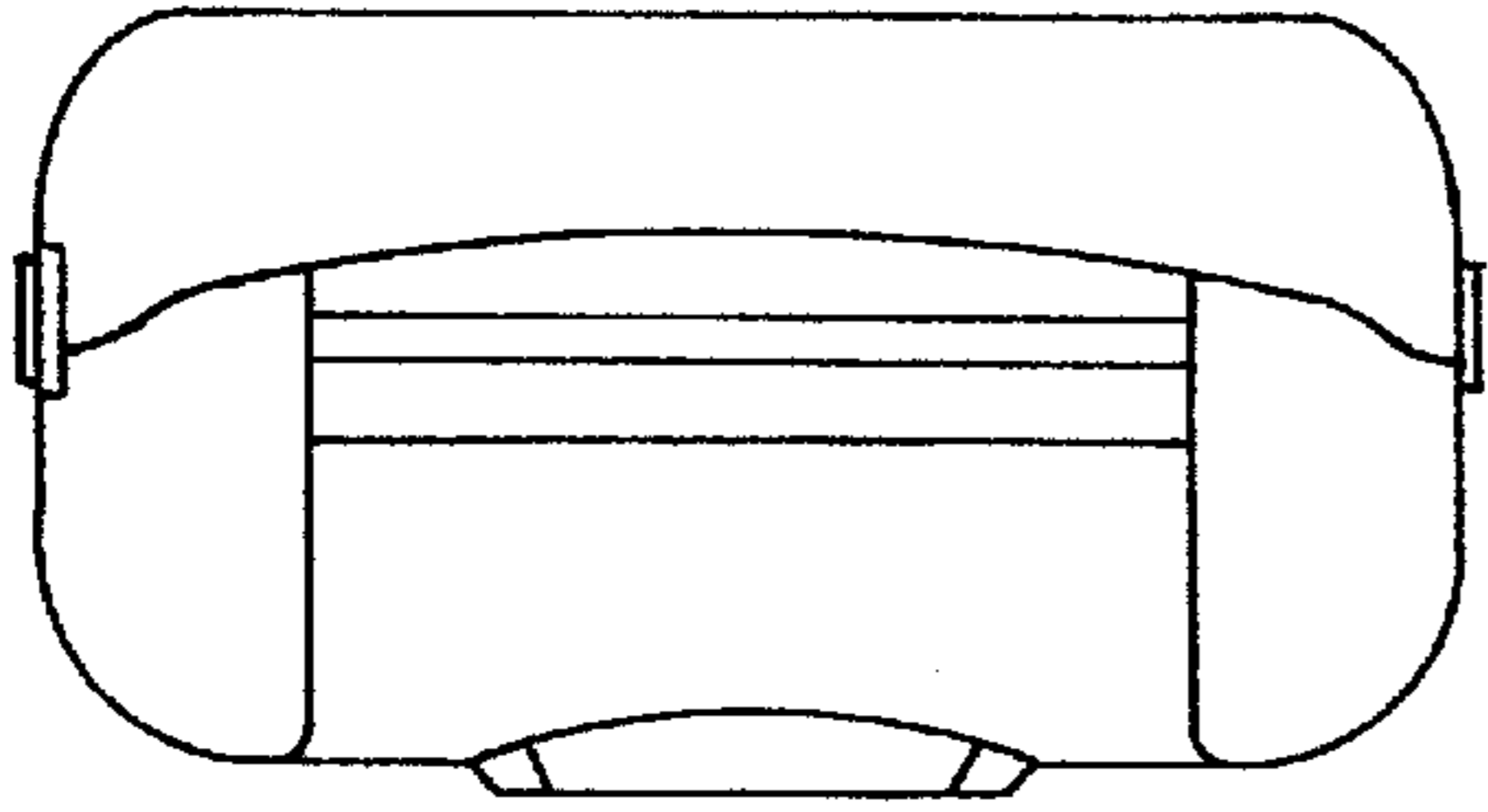


FIG. 7

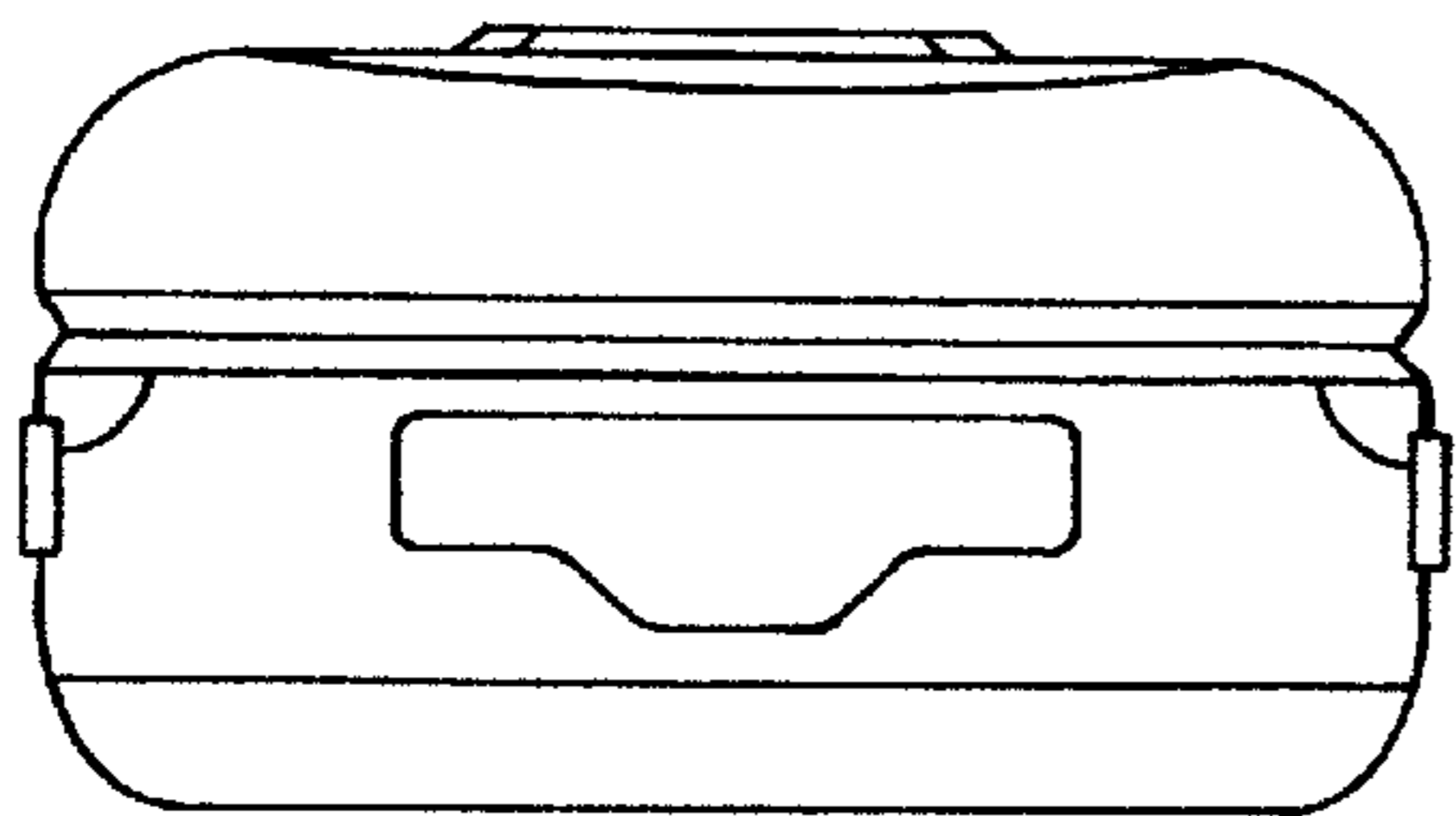


FIG. 8

