



US00D518807S

(12) **United States Design Patent**
Choi et al.

(10) **Patent No.:** **US D518,807 S**

(45) **Date of Patent:** **** Apr. 11, 2006**

(54) **CELLULAR PHONE**

(75) Inventors: **Hyok-Su Choi**, Anyang-si (KR);
Chang-Hwan Hwang, Goyang-si (KR);
Yoon-Young Cho, Seoul (KR)

(73) Assignee: **Samsung Electronics Co., Ltd.** (KR)

(**) Term: **14 Years**

(21) Appl. No.: **29/217,179**

(22) Filed: **Nov. 15, 2001**

(30) **Foreign Application Priority Data**

Jun. 24, 2004 (KR) 30-2004-0018967

(51) **LOC (8) Cl.** **14-03**

(52) **U.S. Cl.** **D14/138**

(58) **Field of Classification Search** D14/137,
D14/138, 147-148, 247-248, 144, 341-347;
379/433.01-433.13, 434; D21/517; 455/575.3,
455/566, 575.1; 345/169

See application file for complete search history.

(56) **References Cited**

U.S. PATENT DOCUMENTS

D408,030 S	*	4/1999	Richards et al.	D14/138
D418,504 S	*	1/2000	Frye et al.	D14/138
D486,461 S	*	2/2004	Seo et al.	D14/138
D487,443 S	*	3/2004	Yoon	D14/138
D487,444 S	*	3/2004	Yoon	D14/138
D490,389 S	*	5/2004	Yang	D14/138
D490,792 S	*	6/2004	Lee	D14/138
D493,439 S	*	7/2004	Hong et al.	D14/138
D496,020 S	*	9/2004	Lee	D14/138
D496,021 S	*	9/2004	Jang	D14/138
D496,636 S	*	9/2004	Lodato et al.	D9/707

D497,894 S	*	11/2004	Kim	D14/138
D498,222 S	*	11/2004	Liang	D14/138
D498,223 S	*	11/2004	Ho et al.	D14/138
D501,838 S	*	2/2005	Kim et al.	D14/138
D505,126 S	*	5/2005	Ahn et al.	D14/138
D506,453 S	*	6/2005	Choi et al.	D14/138
D507,252 S	*	7/2005	Kim et al.	D14/138
D507,787 S	*	7/2005	Ahn et al.	D14/138
2002/0187818 A1	*	12/2002	Kang	455/575
2003/0013417 A1	*	1/2003	Bum	455/90
2003/0203747 A1	*	10/2003	Nagamine	455/575.3
2003/0223576 A1	*	12/2003	Totani	379/433.04
2004/0097258 A1	*	5/2004	Lee et al.	455/550.1
2004/0203527 A1	*	10/2004	Matsumoto	455/90.3
2005/0124392 A1	*	6/2005	Jeong	455/575.1

* cited by examiner

Primary Examiner—Jeffrey Asch

(74) *Attorney, Agent, or Firm*—Cantor Colburn LLP

(57) **CLAIM**

We claim, the ornamental design for a cellular phone, as shown and described.

DESCRIPTION

FIG. 1 is a top and front perspective view of a cellular phone, showing our new design;

FIG. 2 is a front elevational view thereof;

FIG. 3 is a rear elevational view thereof;

FIG. 4 is a left side elevational view thereof;

FIG. 5 is a right side elevational view thereof;

FIG. 6 is a top elevational view thereof;

FIG. 7 is a bottom elevational view thereof; and,

FIG. 8 is a front perspective view thereof, the cellular phone being in an alternate position.

1 Claim, 3 Drawing Sheets

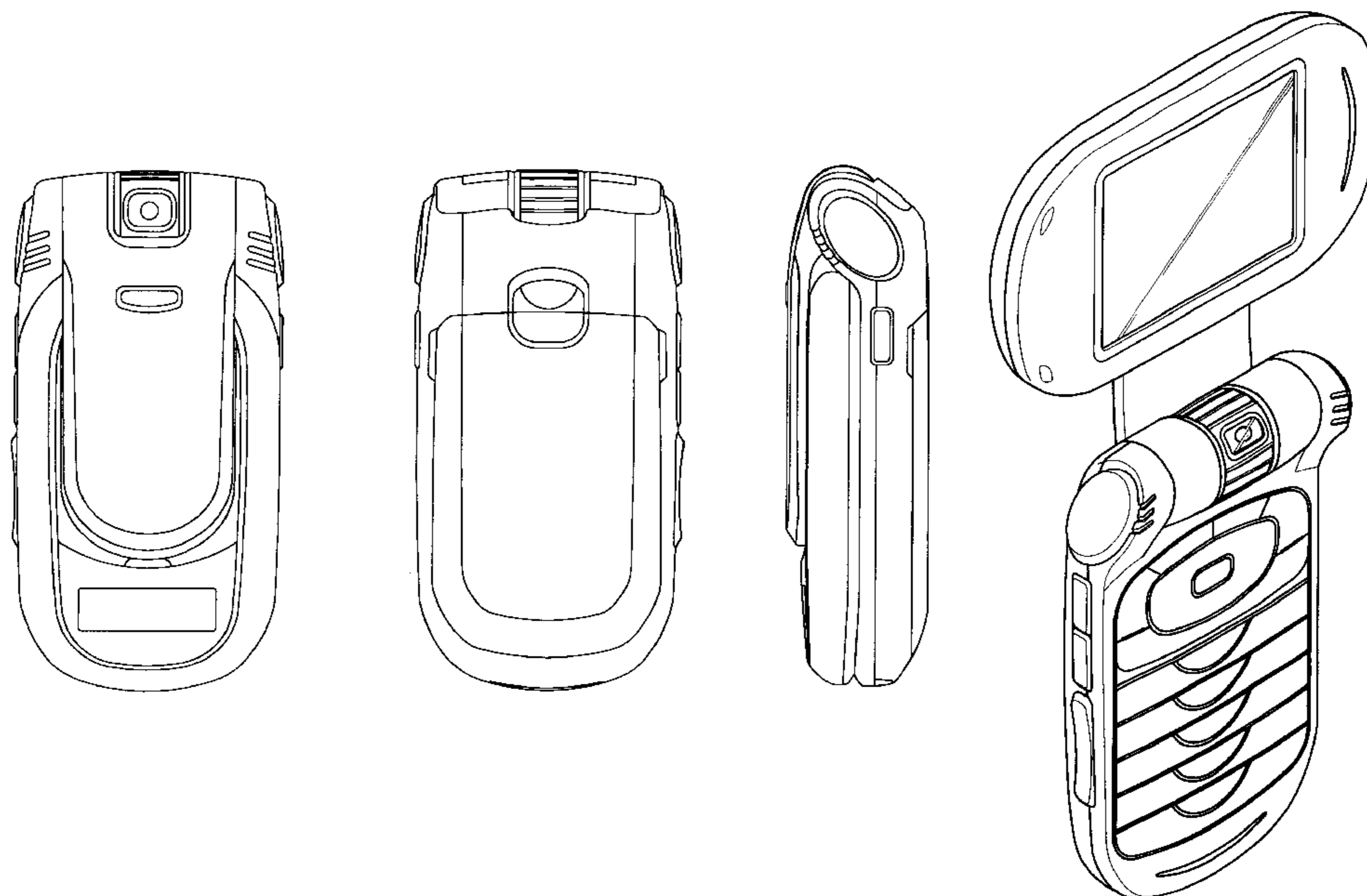


FIG. 1

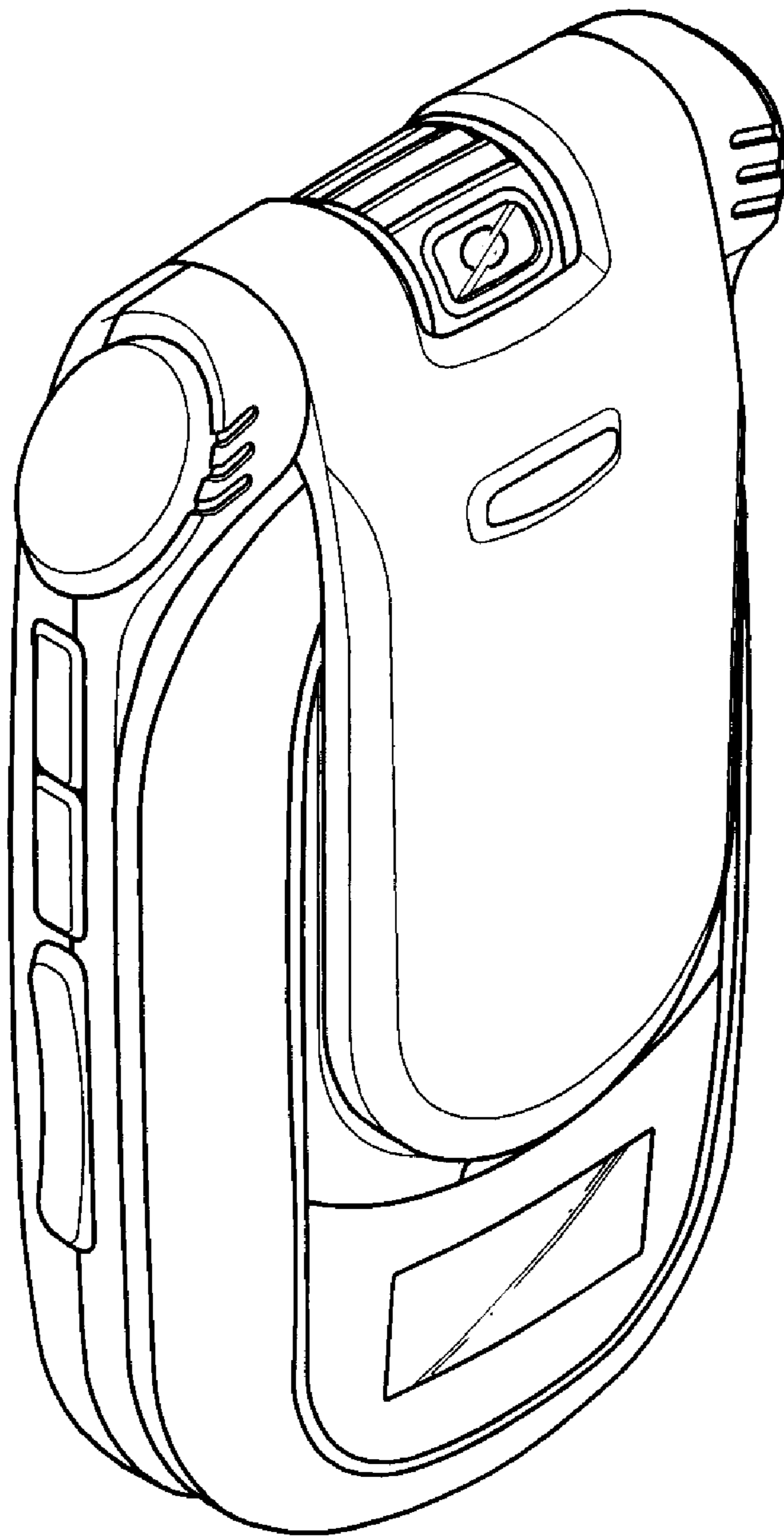


FIG. 2

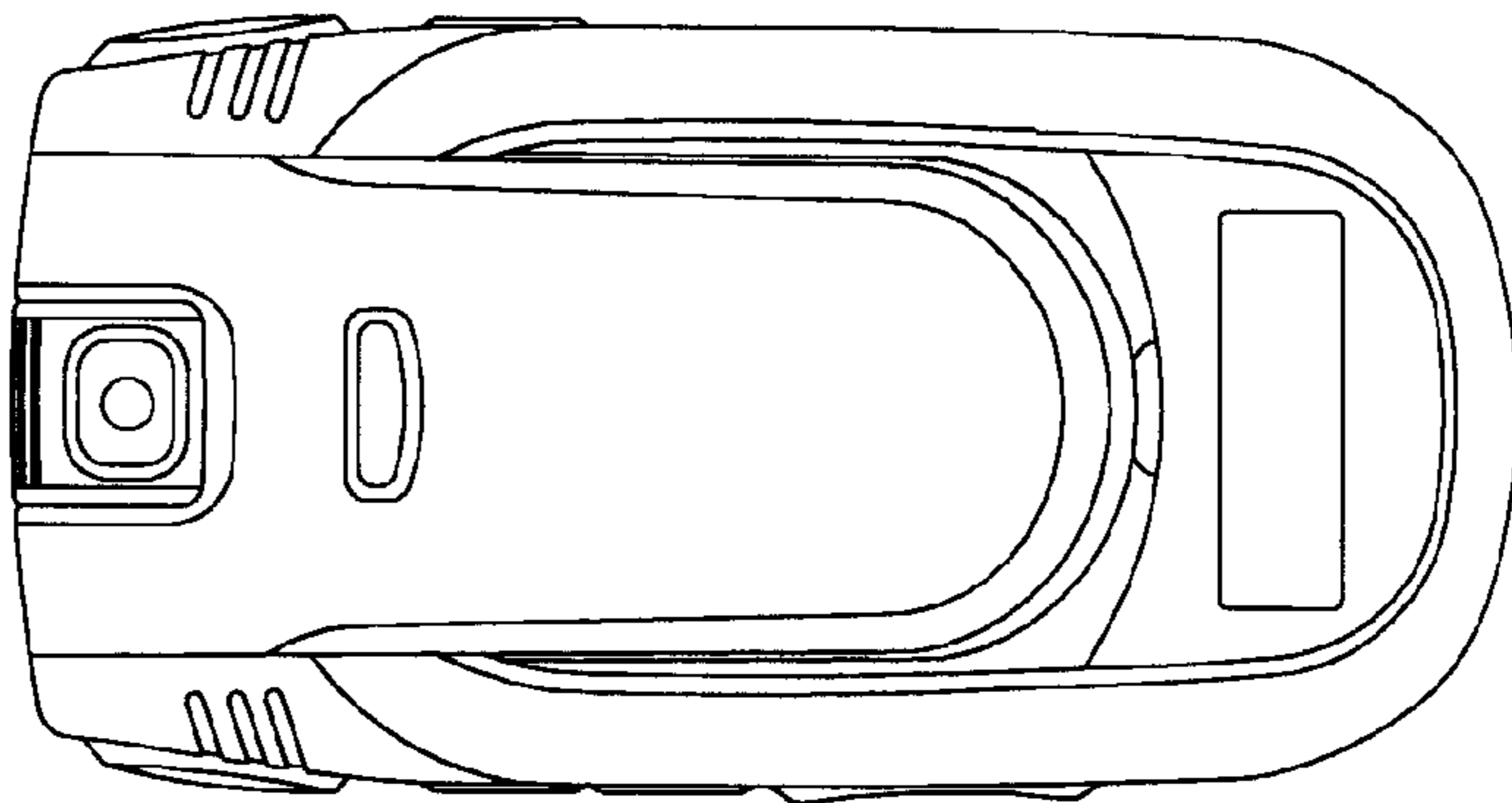


FIG. 3

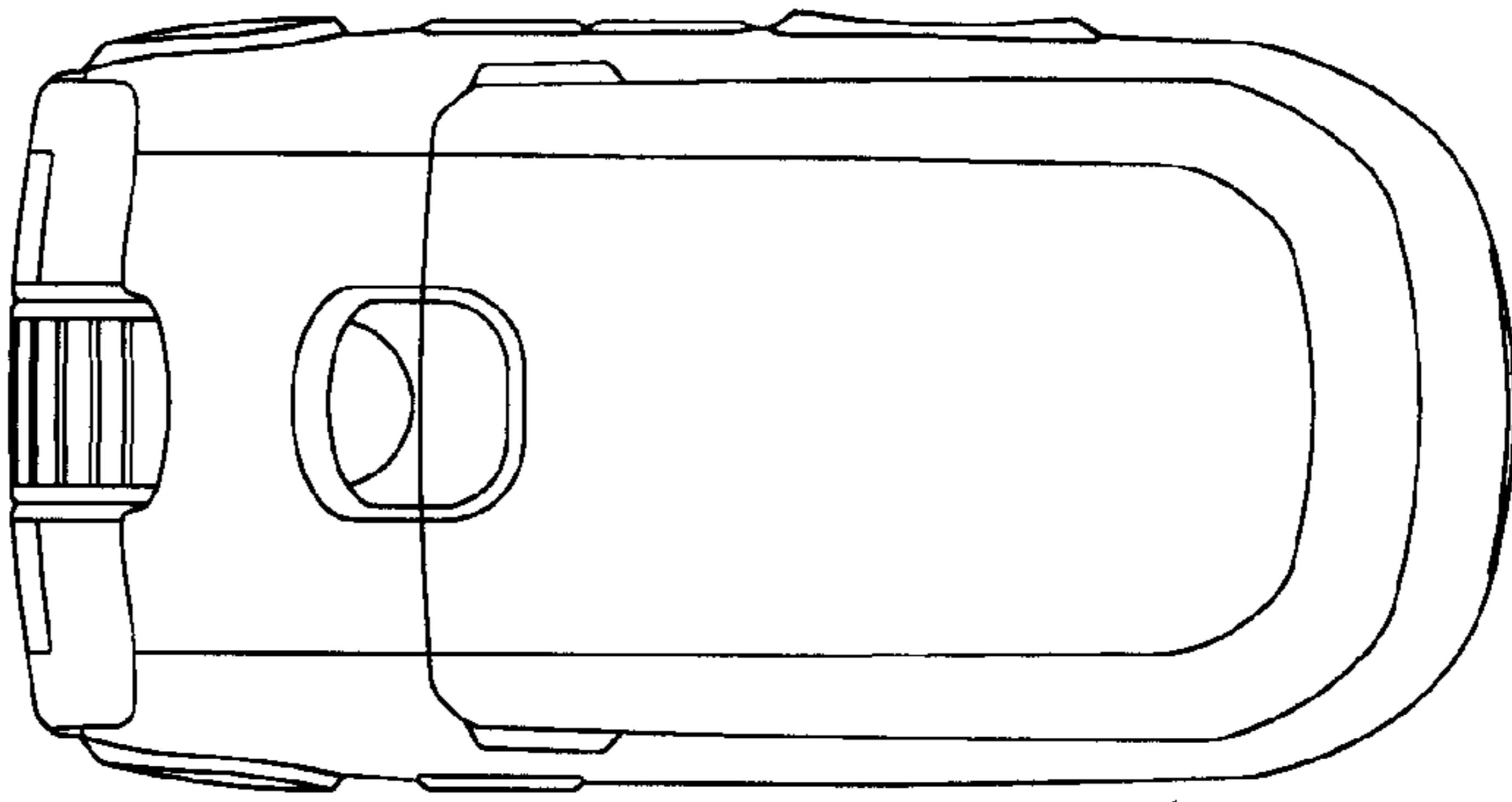


FIG. 4

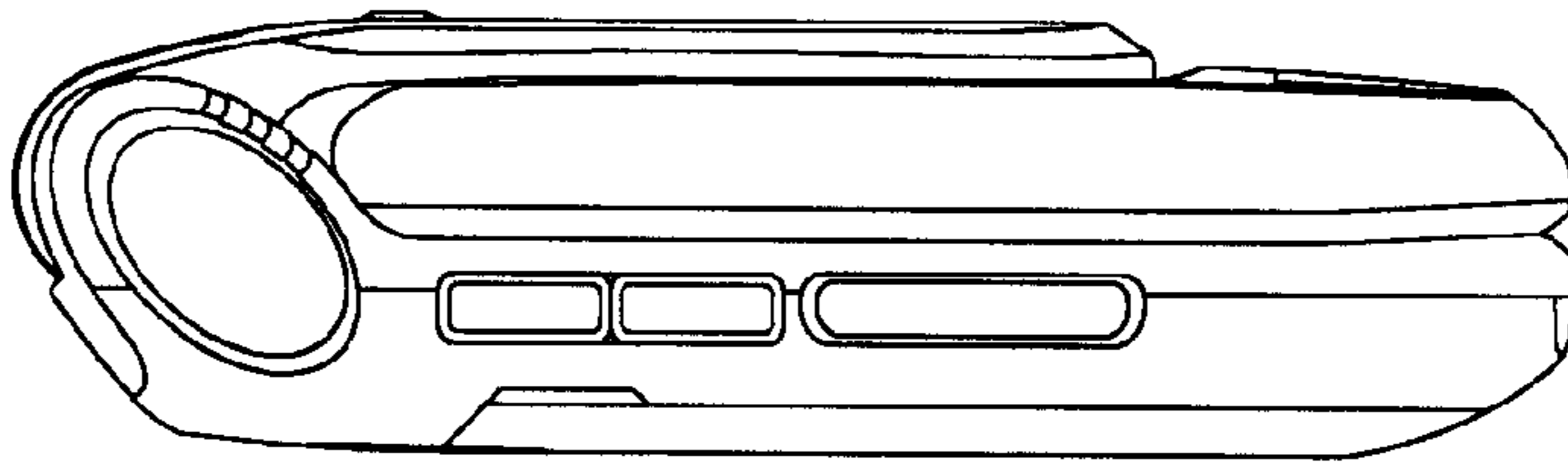


FIG. 5

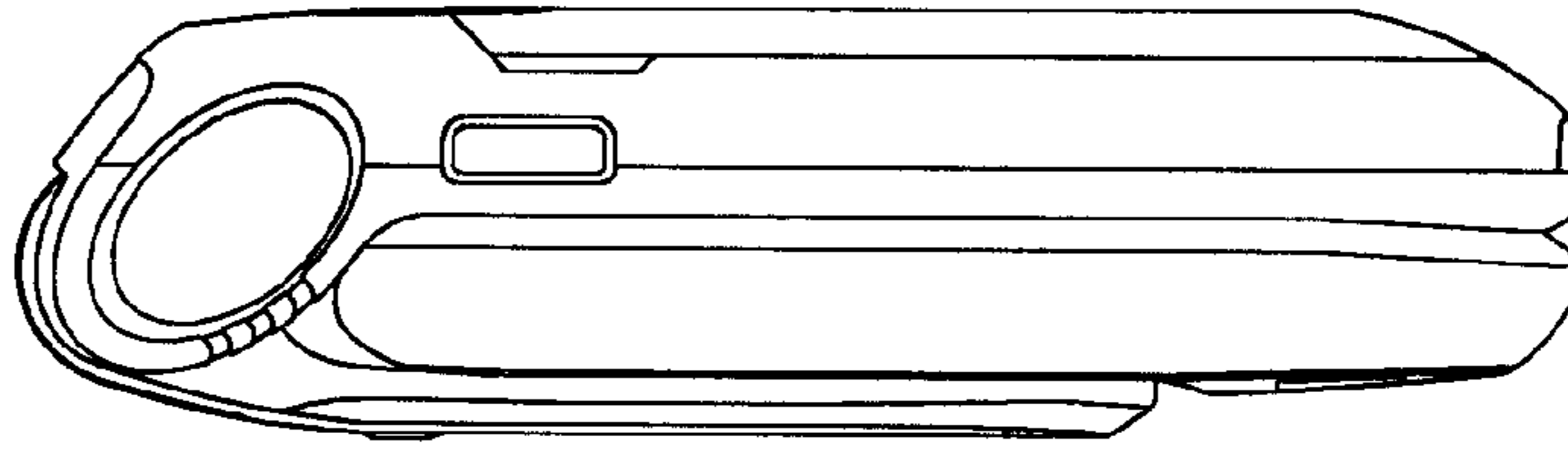


FIG. 6

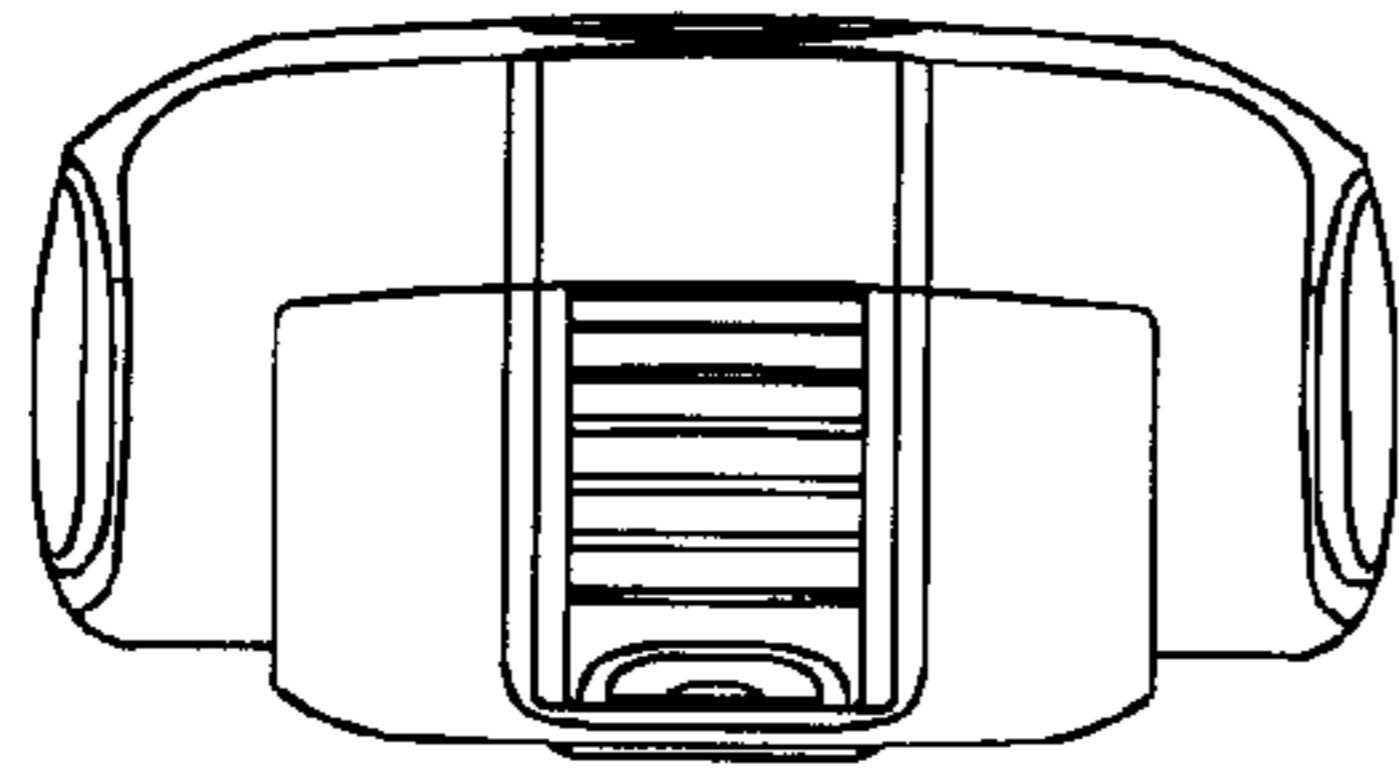


FIG. 7

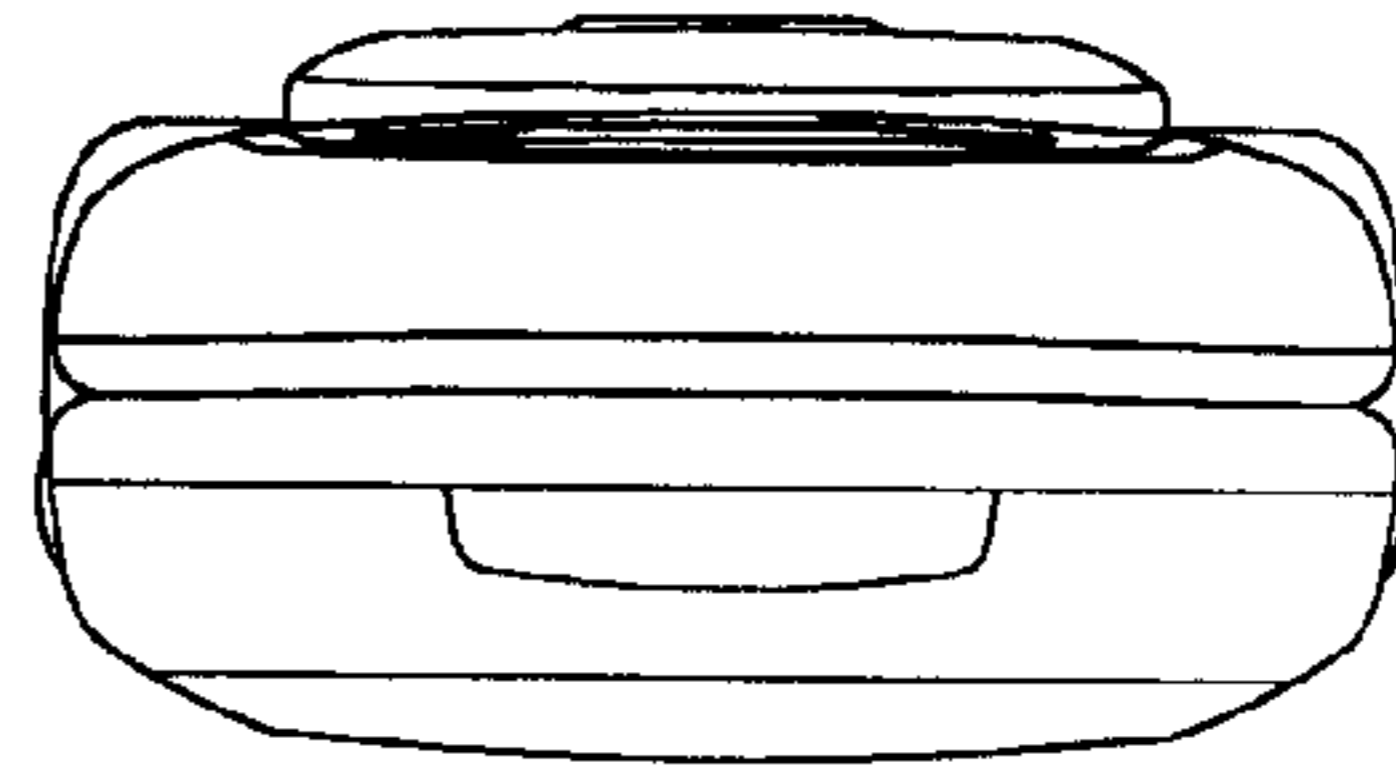


FIG. 8

