

US00D518805S

(12) **United States Design Patent**
Viitasaari

(10) **Patent No.:** **US D518,805 S**
(45) **Date of Patent:** **** Apr. 11, 2006**

(54) **HANDSET**

(75) Inventor: **Sami Viitasaari, Ii (FI)**

(73) Assignee: **Nokia Corporation, Espoo (FI)**

(**) Term: **14 Years**

(21) Appl. No.: **29/208,686**

(22) Filed: **Jul. 2, 2004**

(30) **Foreign Application Priority Data**

Feb. 9, 2004 (FI) M20040014

(51) **LOC (8) Cl.** **14-03**

(52) **U.S. Cl.** **D14/138**

(58) **Field of Classification Search** D14/137,
D14/138, 147-148, 247-248, 144, 218, 341-347;
379/433.01-433.13, 434; 455/575.1, 566,
455/556.1; D21/517, 329, 331; 345/169;
463/31, 37, 39, 42

See application file for complete search history.

(56) **References Cited**

U.S. PATENT DOCUMENTS

D320,624 S	10/1991	Taylor	D21/331
D332,804 S	1/1993	Li	D21/331
D342,289 S	12/1993	Hara	D21/329
D347,856 S	6/1994	Marfori et al.	D19/60
D352,329 S	11/1994	Takiya	D21/329
D382,914 S	8/1997	Ho et al.	D21/331
D397,046 S	8/1998	Oshizawa	D10/65
5,795,227 A	8/1998	Raviv et al.	463/34
D428,938 S	8/2000	Tomizawa	D21/329
D449,347 S	10/2001	Christianson	D21/329
D452,280 S	* 12/2001	Ota et al.	D21/329
D453,149 S	* 1/2002	Skoger et al.	D14/138
D453,536 S	2/2002	Ota et al.	D21/329
D469,749 S	* 2/2003	Kim	D14/138
D473,226 S	* 4/2003	Griffin	D14/346
D480,722 S	10/2003	Griffin	D14/346
D481,368 S	* 10/2003	Helin	D14/138
D499,389 S	* 12/2004	Leith et al.	D14/138

D502,224 S	* 2/2005	Eguchi et al.	D21/329
D504,119 S	* 4/2005	Pottie et al.	D14/138
2003/0078069 A1	4/2003	Lindeman	455/550
2003/0090468 A1	* 5/2003	Finke-Anlauff	345/169
2004/0203524 A1	* 10/2004	Wong et al.	455/90.3
2004/0224726 A1	* 11/2004	Yassa	455/566
2005/0049005 A1	* 3/2005	Young et al.	455/566
2005/0113155 A1	* 5/2005	Kim et al.	455/575.4

FOREIGN PATENT DOCUMENTS

EM	000030705-0001	12/2003
EM	000030705-0002	12/2003
EM	000030705-0003	12/2003
EM	000030705-0004	12/2003
EM	000030705-0005	12/2003
EM	000030705-0006	12/2003
EM	000030705-0007	12/2003
EM	000030705-0008	12/2003
WO	DM/058924	3/2002
WO	DM/064644	12/2003
WO	DM/064645	12/2003
WO	DM/066582	* 4/2005
WO	DM/066628	* 5/2005

* cited by examiner

Primary Examiner—Jeffrey Asch

(74) *Attorney, Agent, or Firm*—Banner & Witcoff, Ltd.

(57) **CLAIM**

The ornamental design for a handset, as shown and described.

DESCRIPTION

FIG. 1 is a bottom plan view of a handset showing my new design;

FIG. 2 is a right side view thereof;

FIG. 3 is a front view thereof;

FIG. 4 is a left side view thereof;

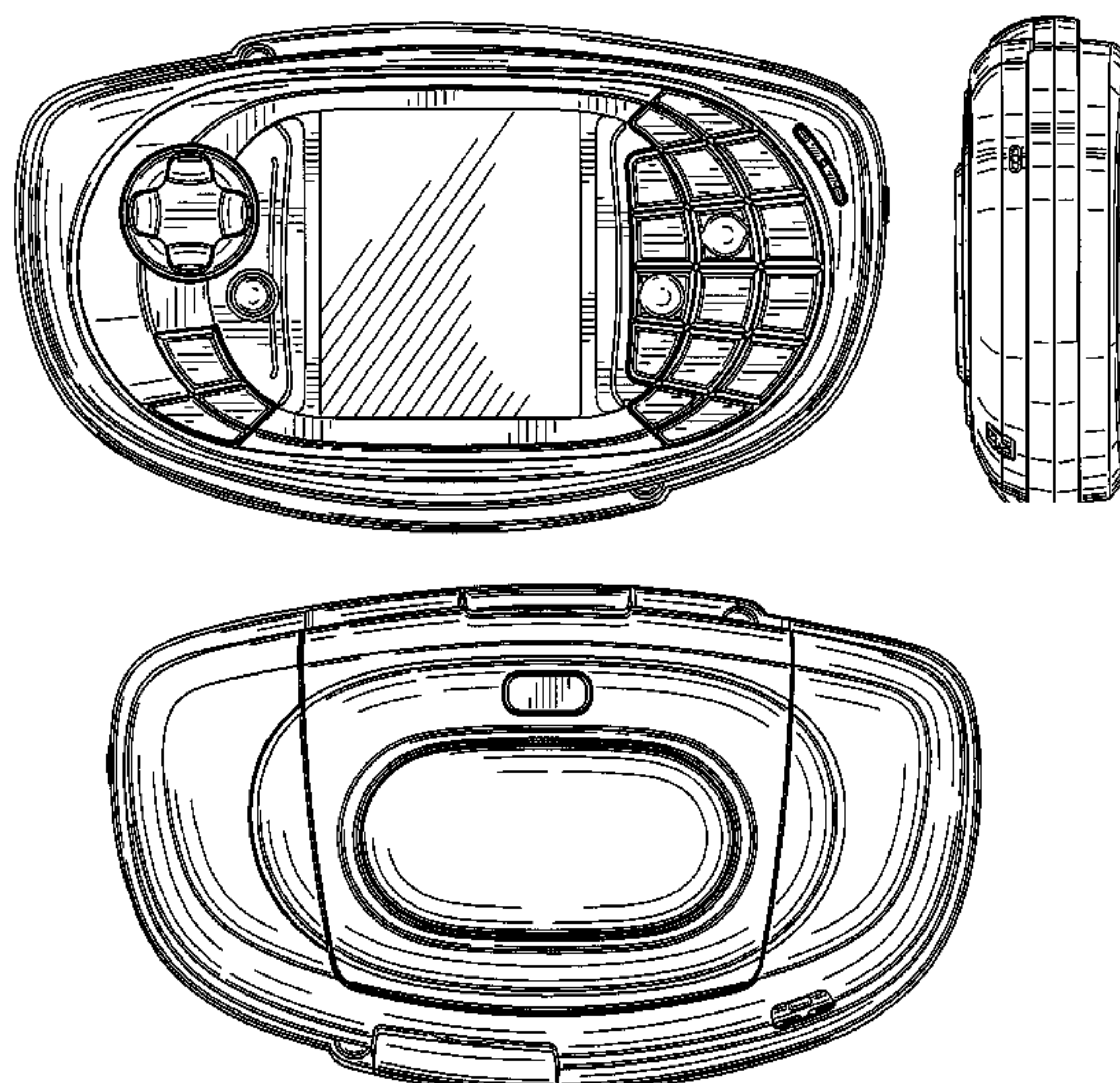
FIG. 5 is a top plan view thereof;

FIG. 6 is a rear view thereof;

FIG. 7 is a perspective front view thereof; and,

FIG. 8 is a perspective rear view thereof.

1 Claim, 4 Drawing Sheets



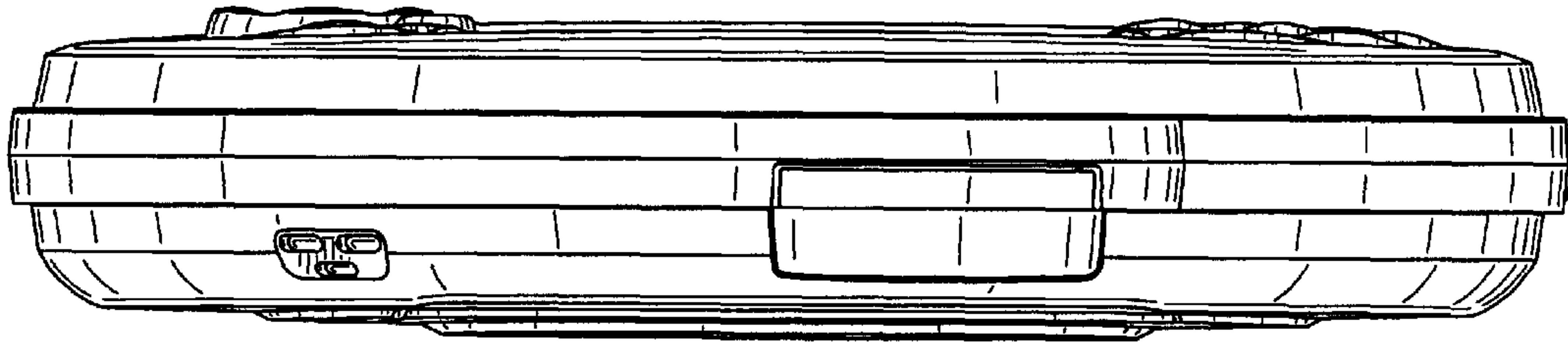


FIG. 1

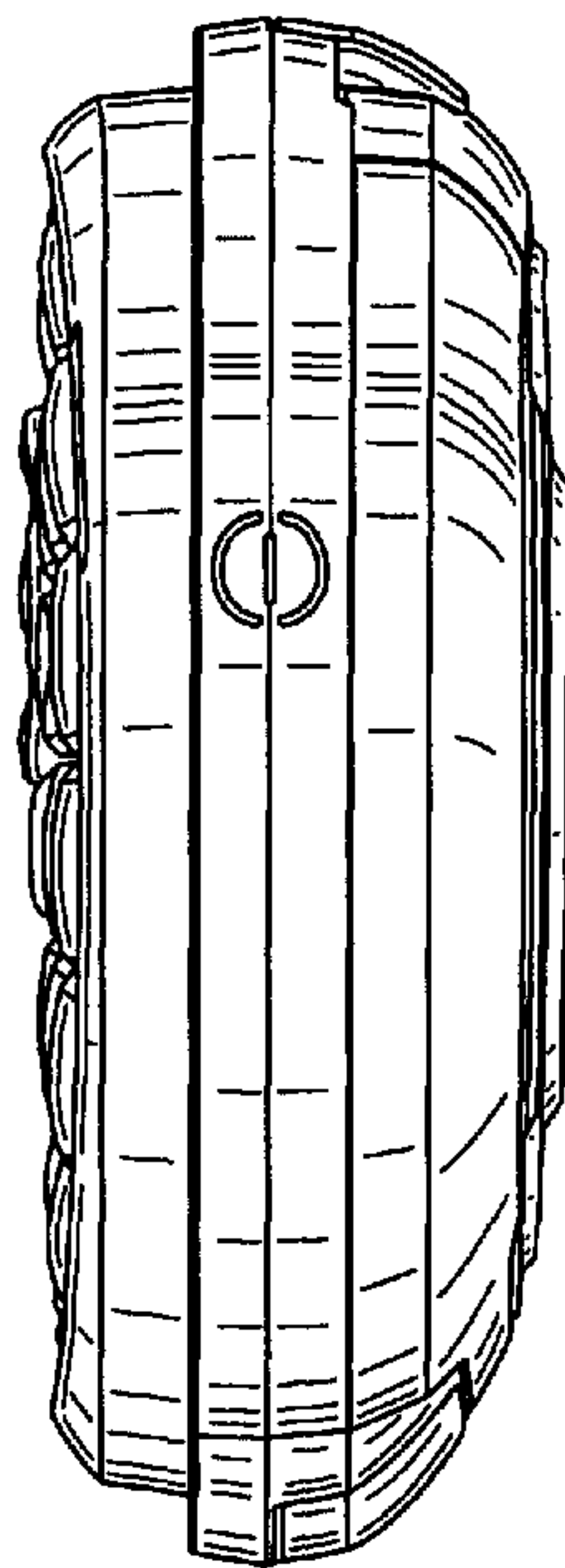


FIG. 2

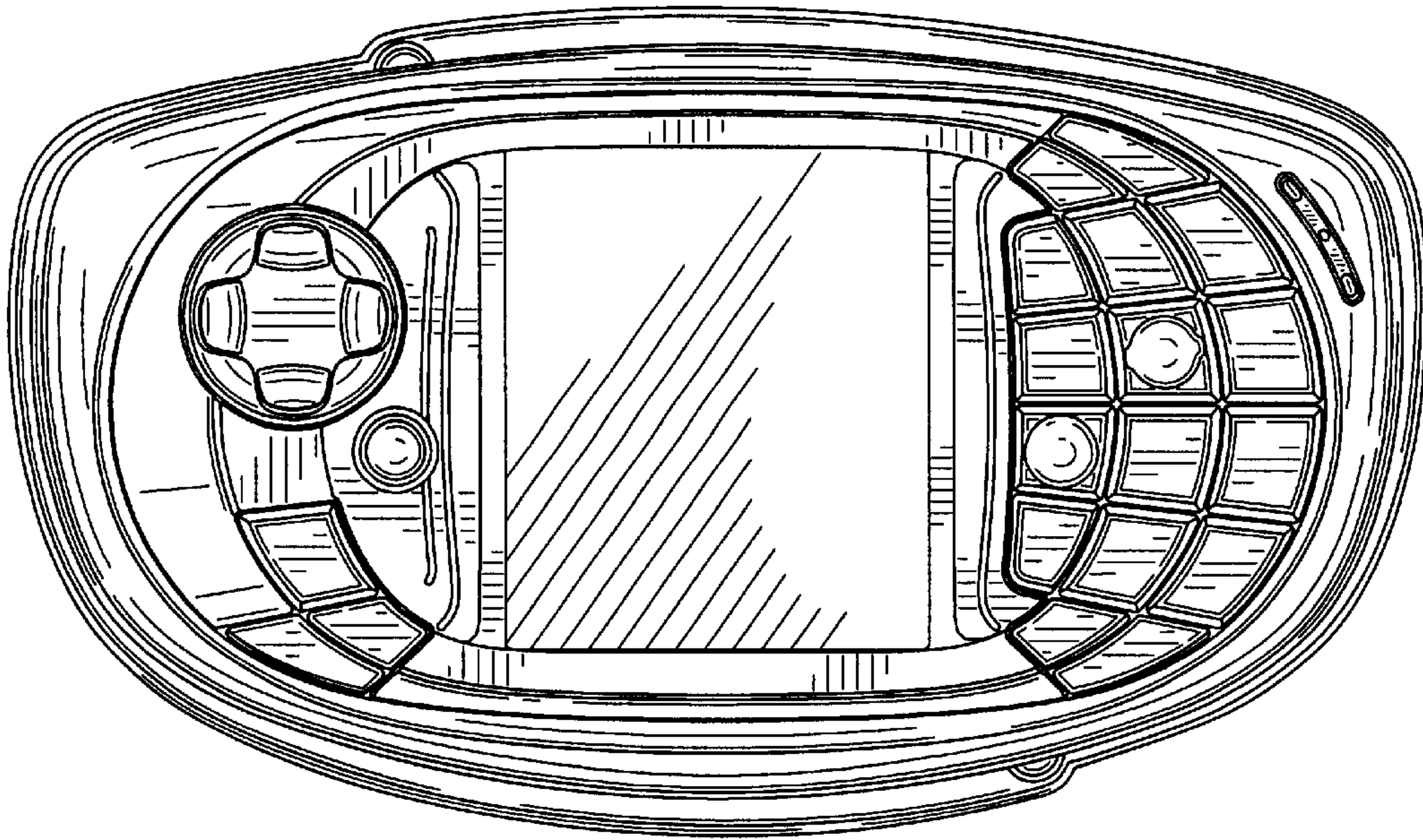


FIG. 3

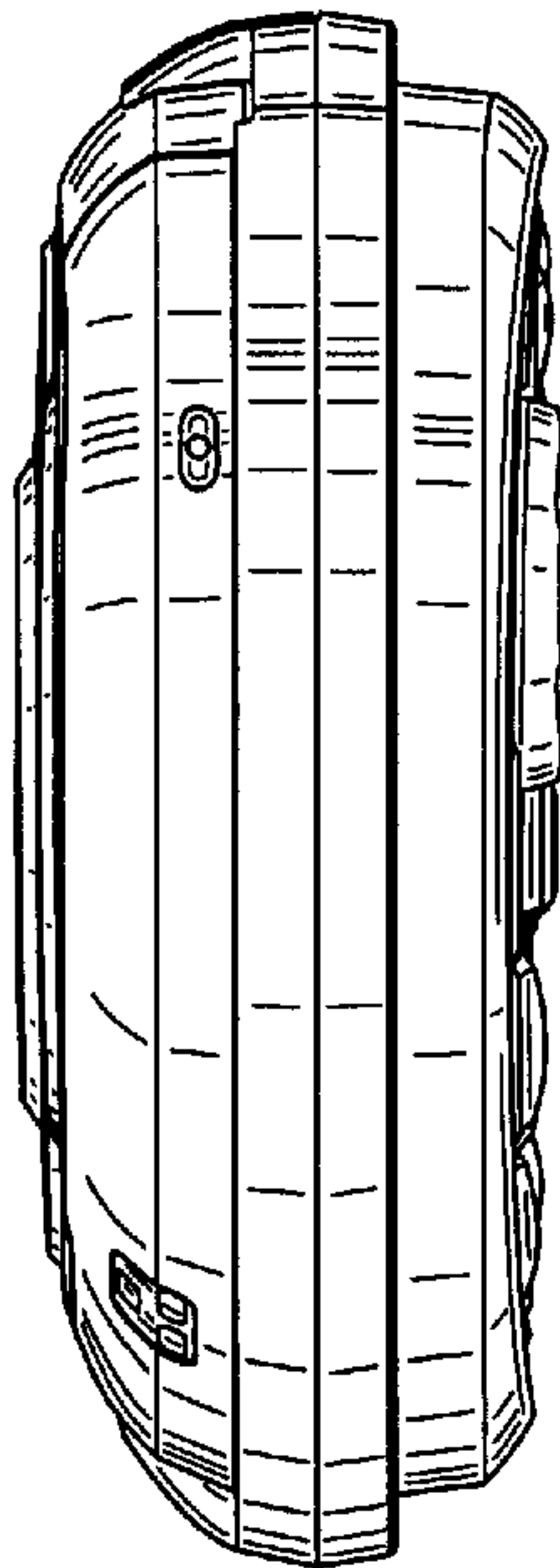


FIG. 4

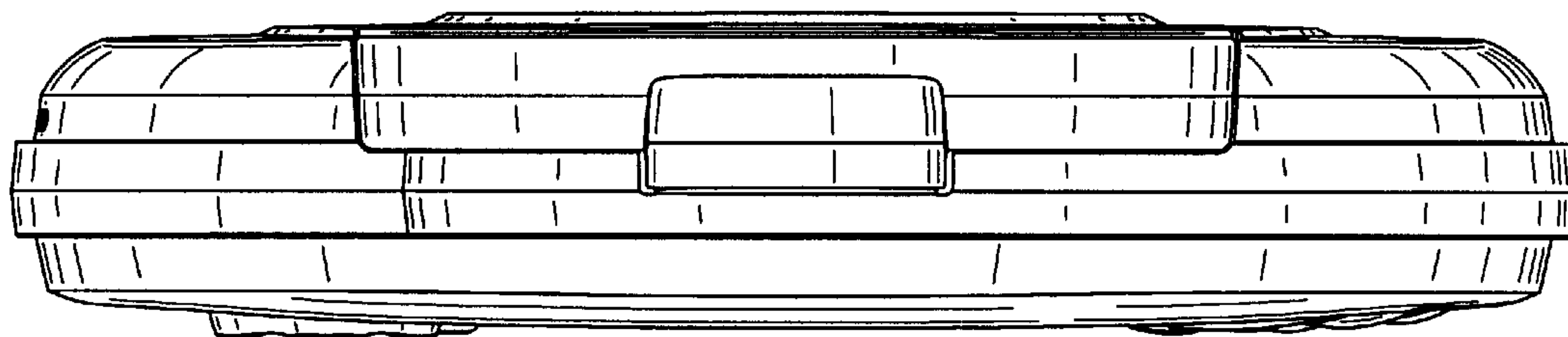


FIG. 5

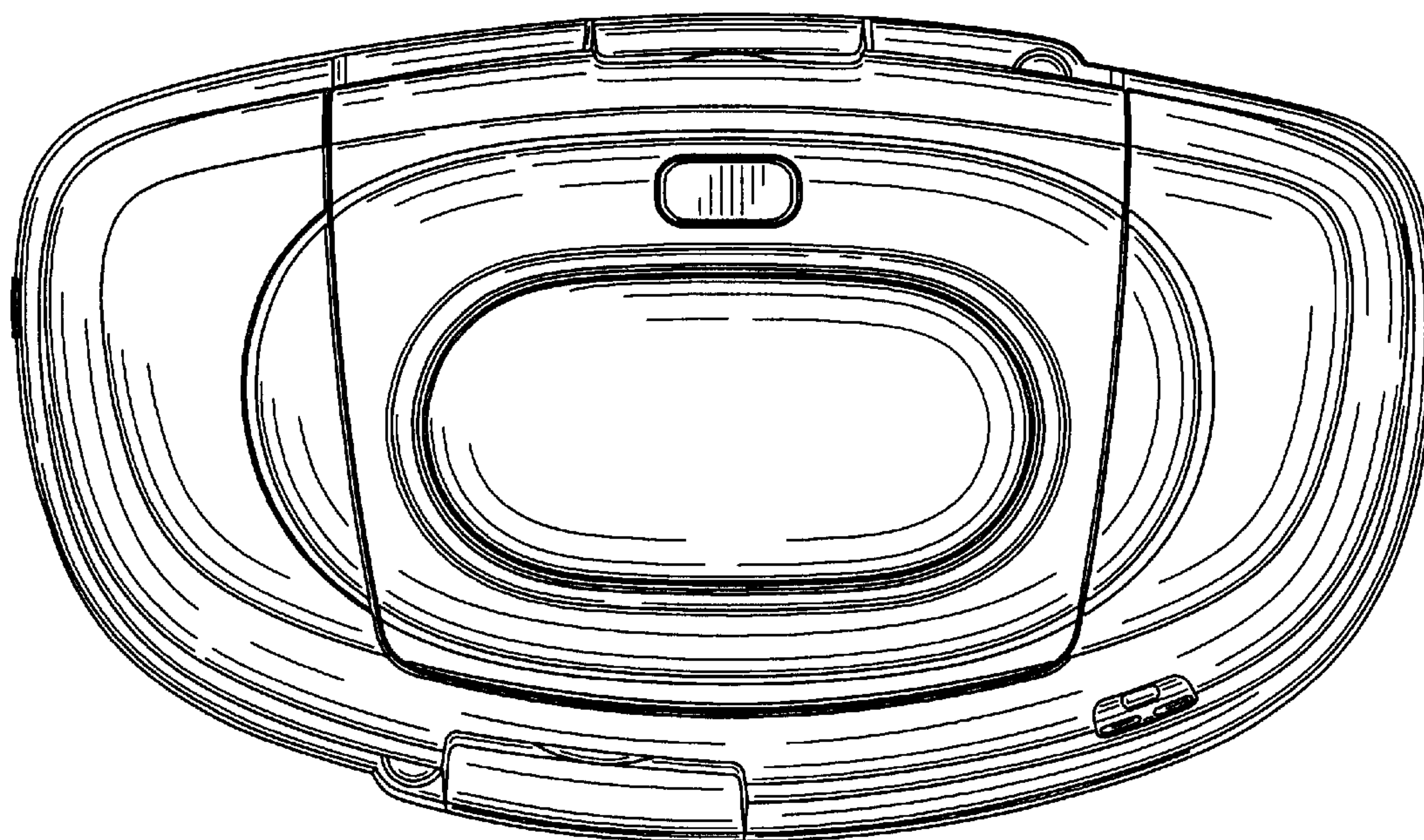


FIG. 6

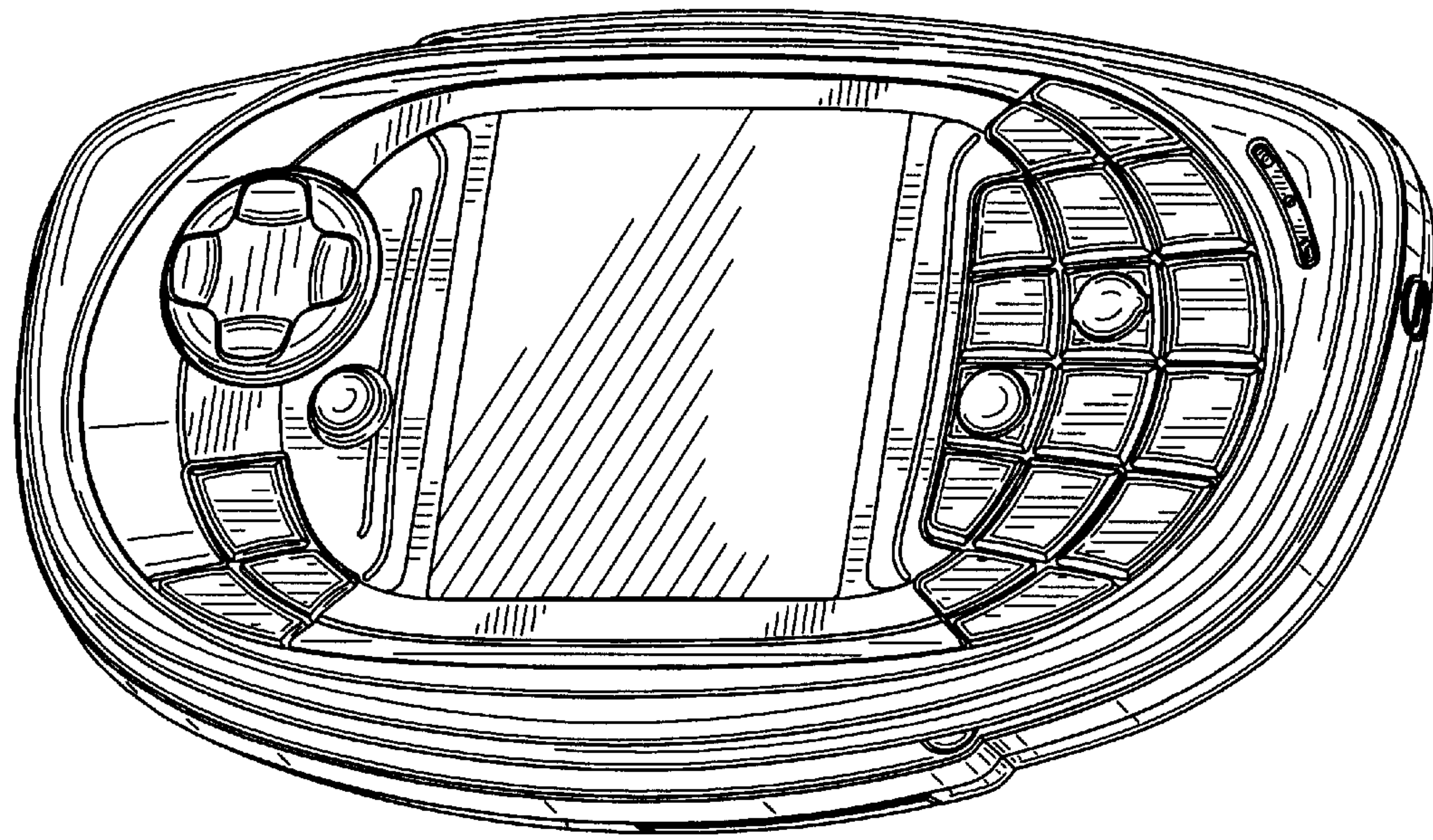


FIG. 7

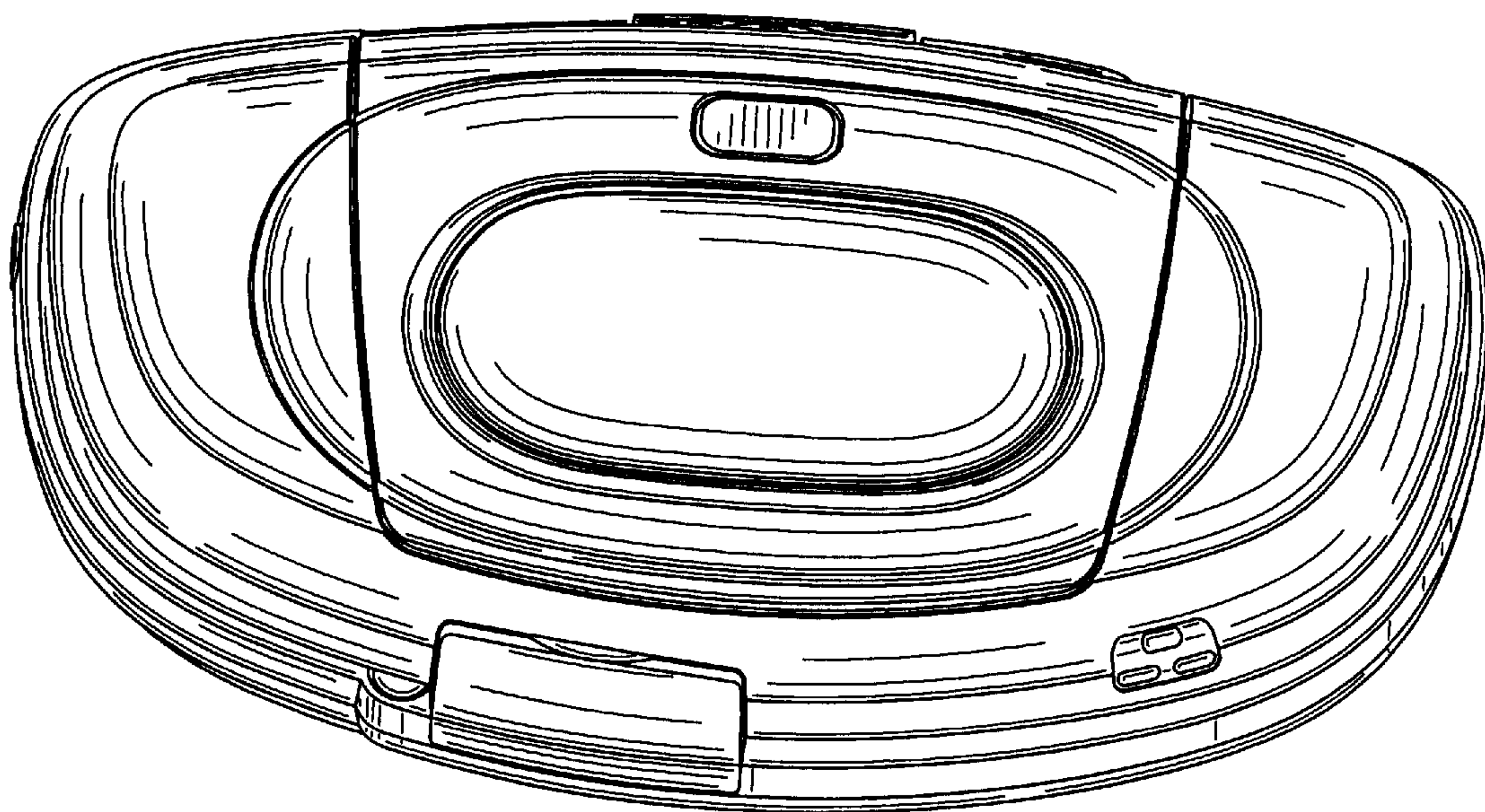


FIG. 8