



US00D518802S

(12) **United States Design Patent**
Hoehn et al.

(10) **Patent No.:** **US D518,802 S**
(45) **Date of Patent:** **** Apr. 11, 2006**

(54) **TELEVISION SET**

(75) Inventors: **Holger Hoehn**, Taipei (TW); **Reinier Bloem**, Taipei (TW)

(73) Assignee: **Hannspree, Inc.**, Taipei (TW)

(**) Term: **14 Years**

(21) Appl. No.: **29/228,323**

(22) Filed: **Apr. 22, 2005**

(30) **Foreign Application Priority Data**

Nov. 23, 2004 (TW) 93306955

(51) **LOC (8) Cl.** **14-03**

(52) **U.S. Cl.** **D14/126; D14/129; D14/132**

(58) **Field of Classification Search** D14/125-134,
D14/239, 371, 136, 374-376; 312/7.2; 348/836,
348/838, 180, 184, 325, 739; 341/12; 248/917-924,
248/465; 345/104, 133, 156, 168, 87, 173;
720/605, 669, 600, 655; 369/99, 197; 455/344-347
See application file for complete search history.

(56) **References Cited**

U.S. PATENT DOCUMENTS

5,072,998 A * 12/1991 Oh 312/7.2
5,564,209 A * 10/1996 Zagnoli 273/148 B
D406,613 S * 3/1999 Nakanishi D21/329

D424,534 S * 5/2000 Priestman et al. D14/336
6,159,101 A * 12/2000 Simpson 463/46
D469,100 S * 1/2003 Salem D14/449
D474,468 S * 5/2003 Zuege et al. D14/374
6,558,225 B1 * 5/2003 Rehkemper et al. 446/484
D476,654 S * 7/2003 Zuege et al. D21/515
D496,660 S * 9/2004 Liu D14/371
D500,099 S * 12/2004 Gioffre D21/627

* cited by examiner

Primary Examiner—Raphael Barkai

(74) *Attorney, Agent, or Firm*—Bacon & Thomas PLLC

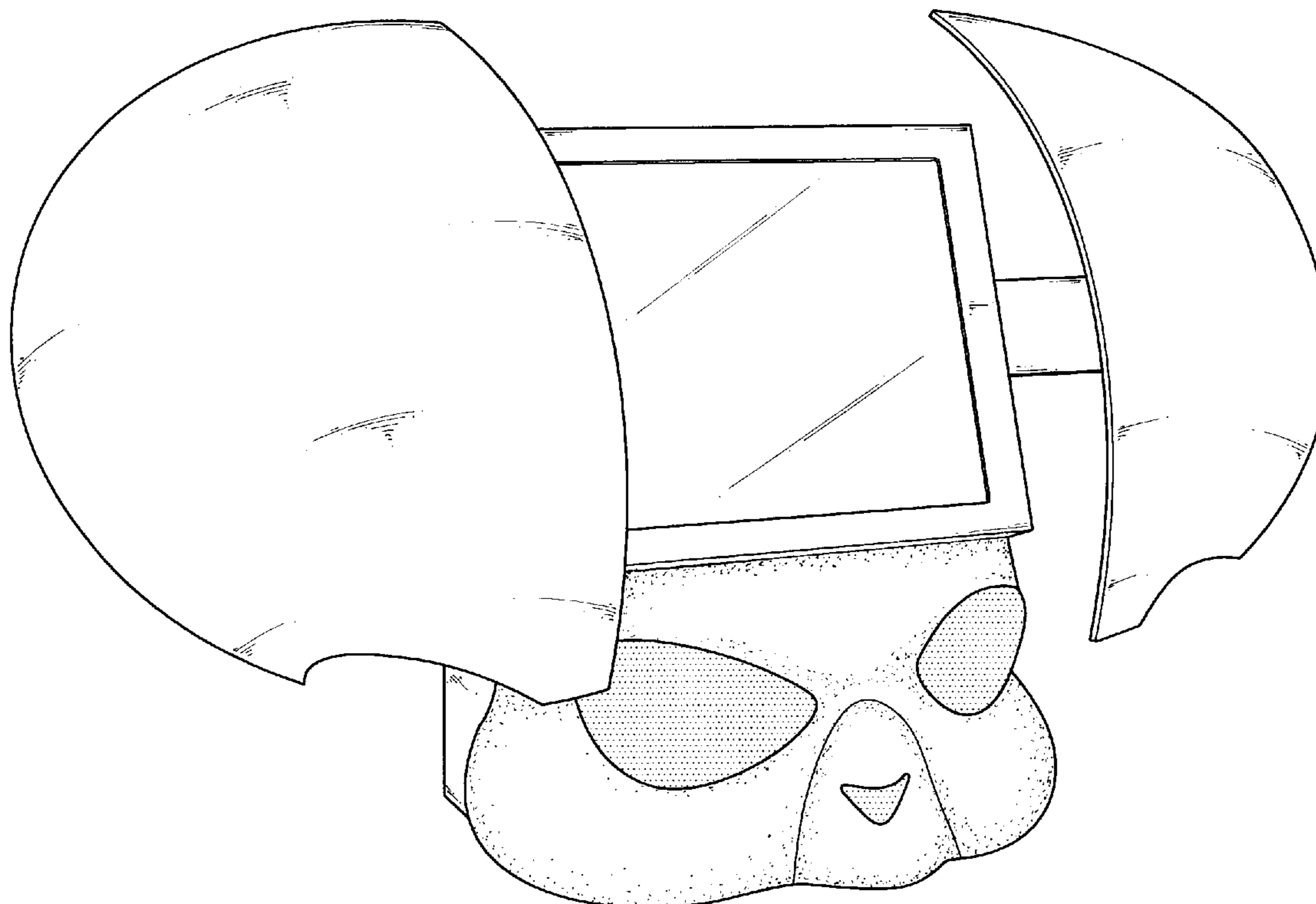
(57) **CLAIM**

The ornamental design for a television set, as shown.

DESCRIPTION

FIG. 1 is a perspective view of a television set showing my new design;
FIG. 2 is a front elevational view thereof;
FIG. 3 is a rear elevational view thereof;
FIG. 4 is a left side elevational view thereof;
FIG. 5 is a right side elevational view thereof;
FIG. 6 is a top plan view thereof;
FIG. 7 is a bottom plan view thereof; and,
FIG. 8 is a perspective view showing a closed state of this design.

1 Claim, 7 Drawing Sheets



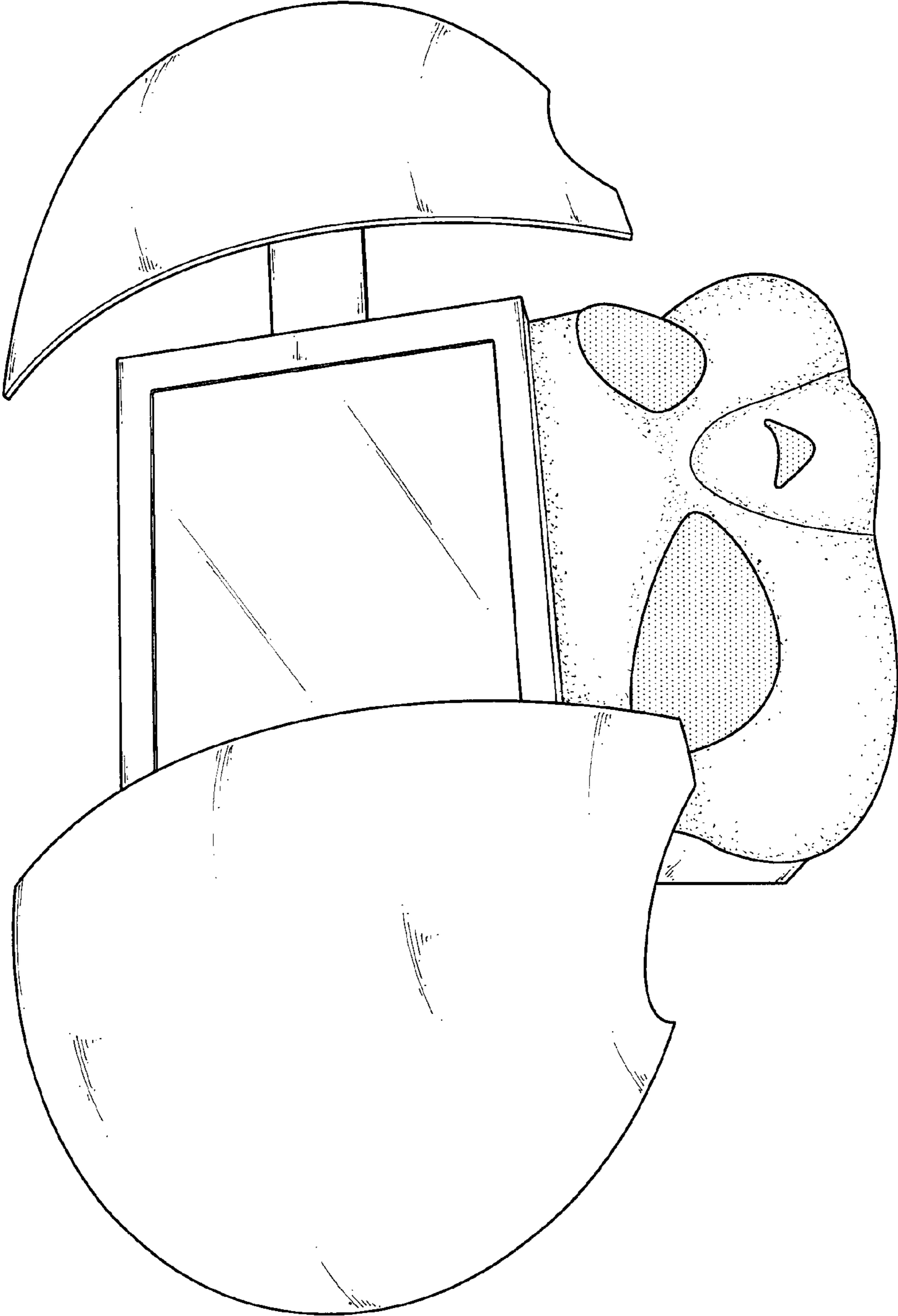


FIG. 1

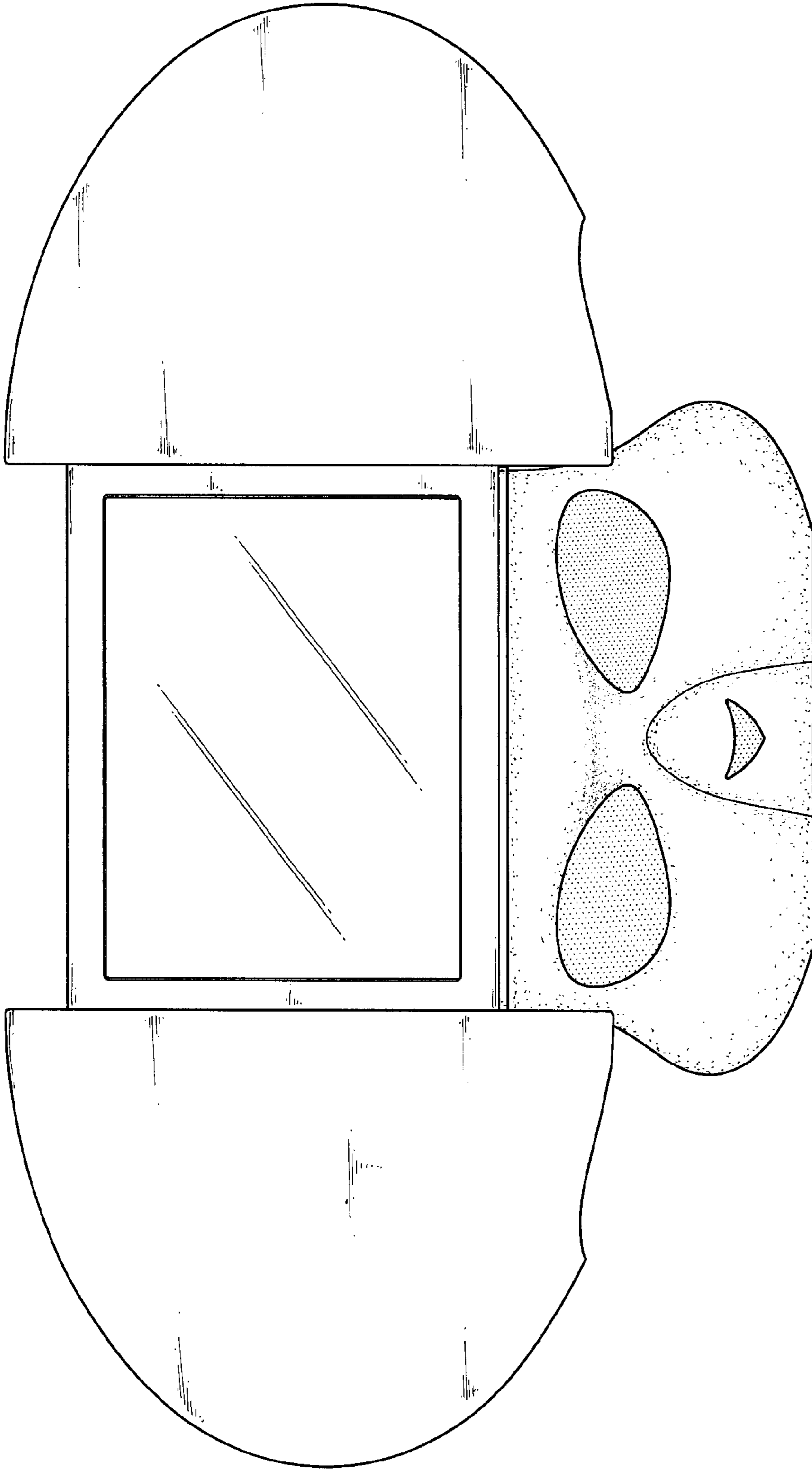


FIG. 2

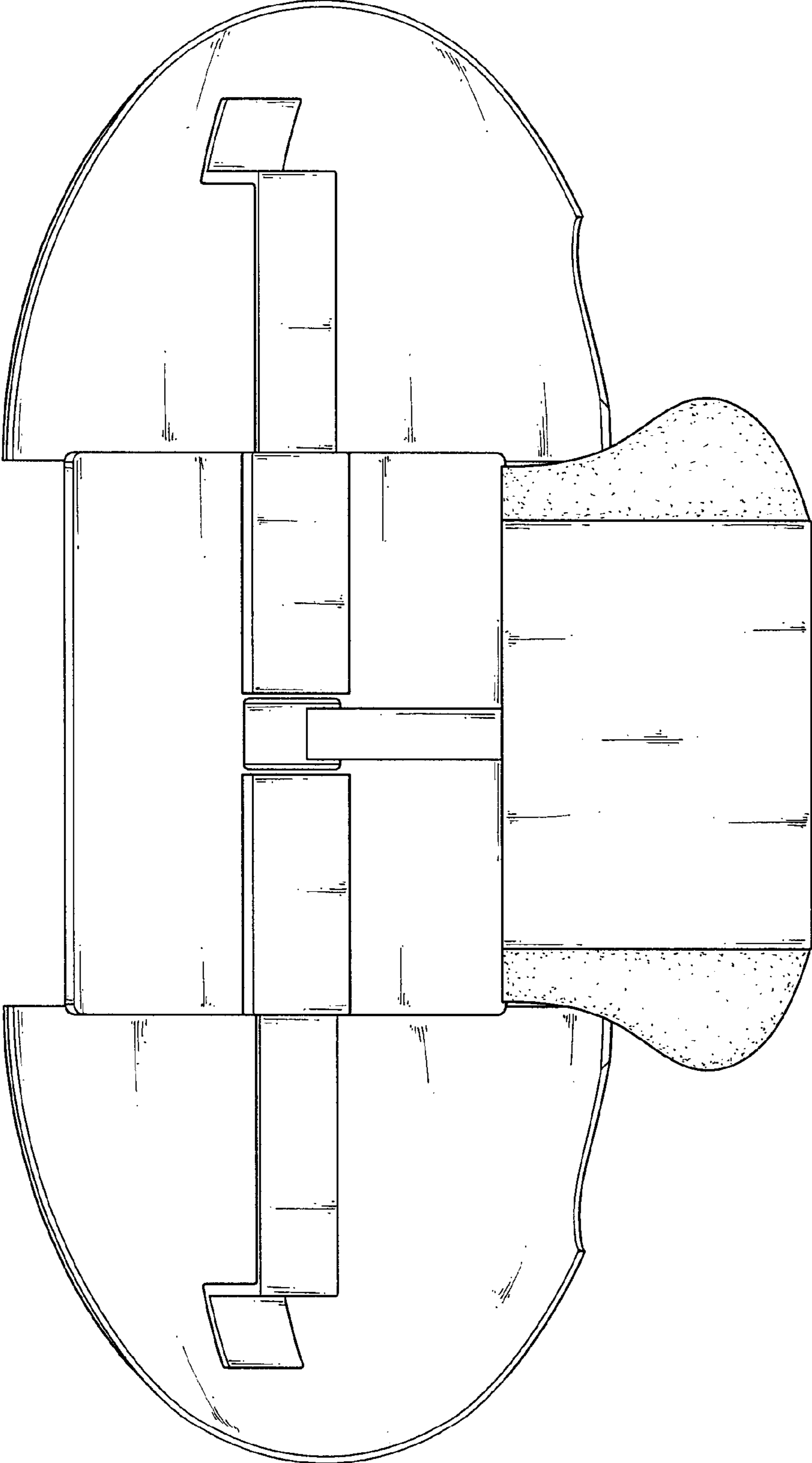


FIG. 3

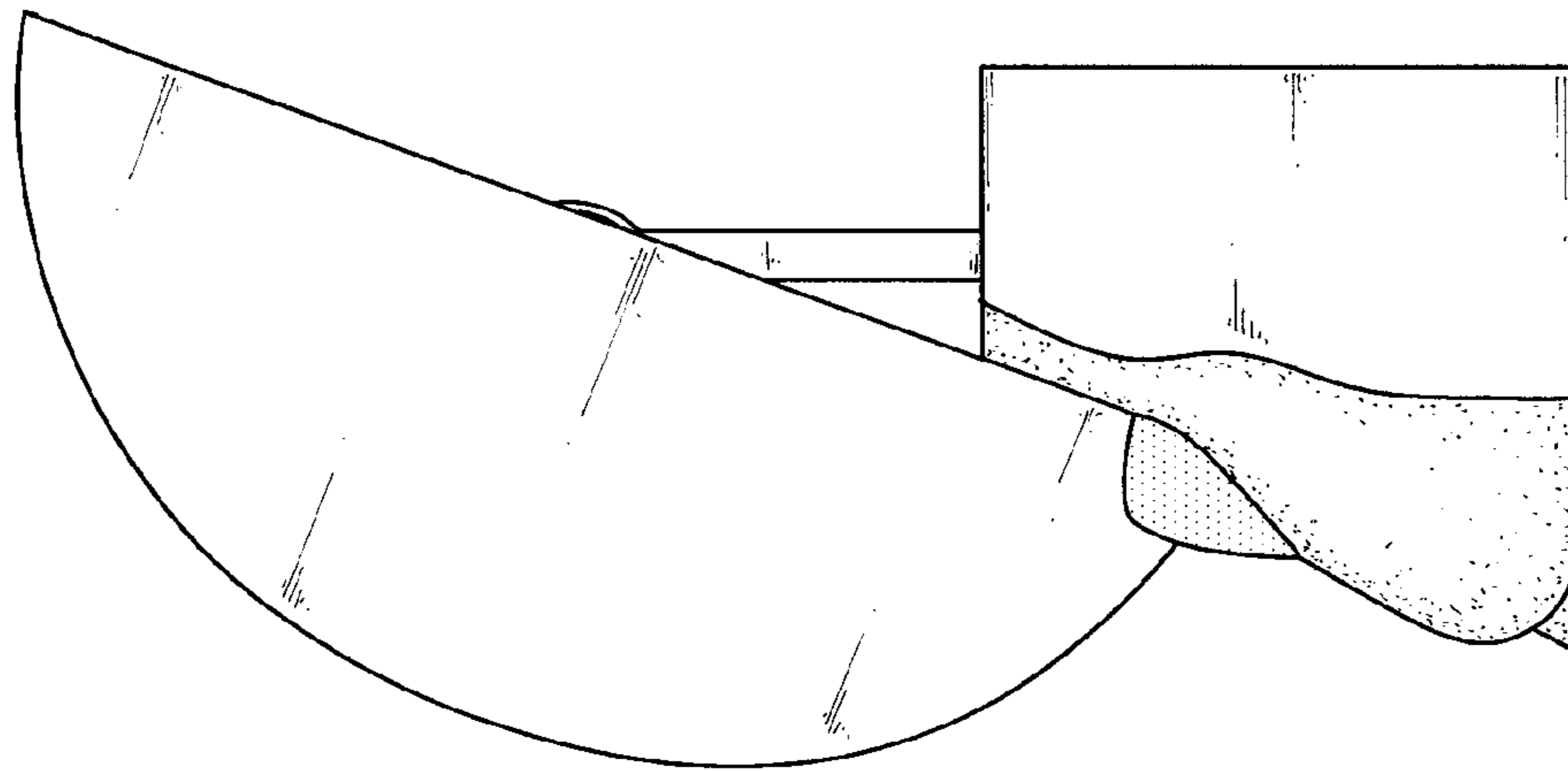


FIG. 5

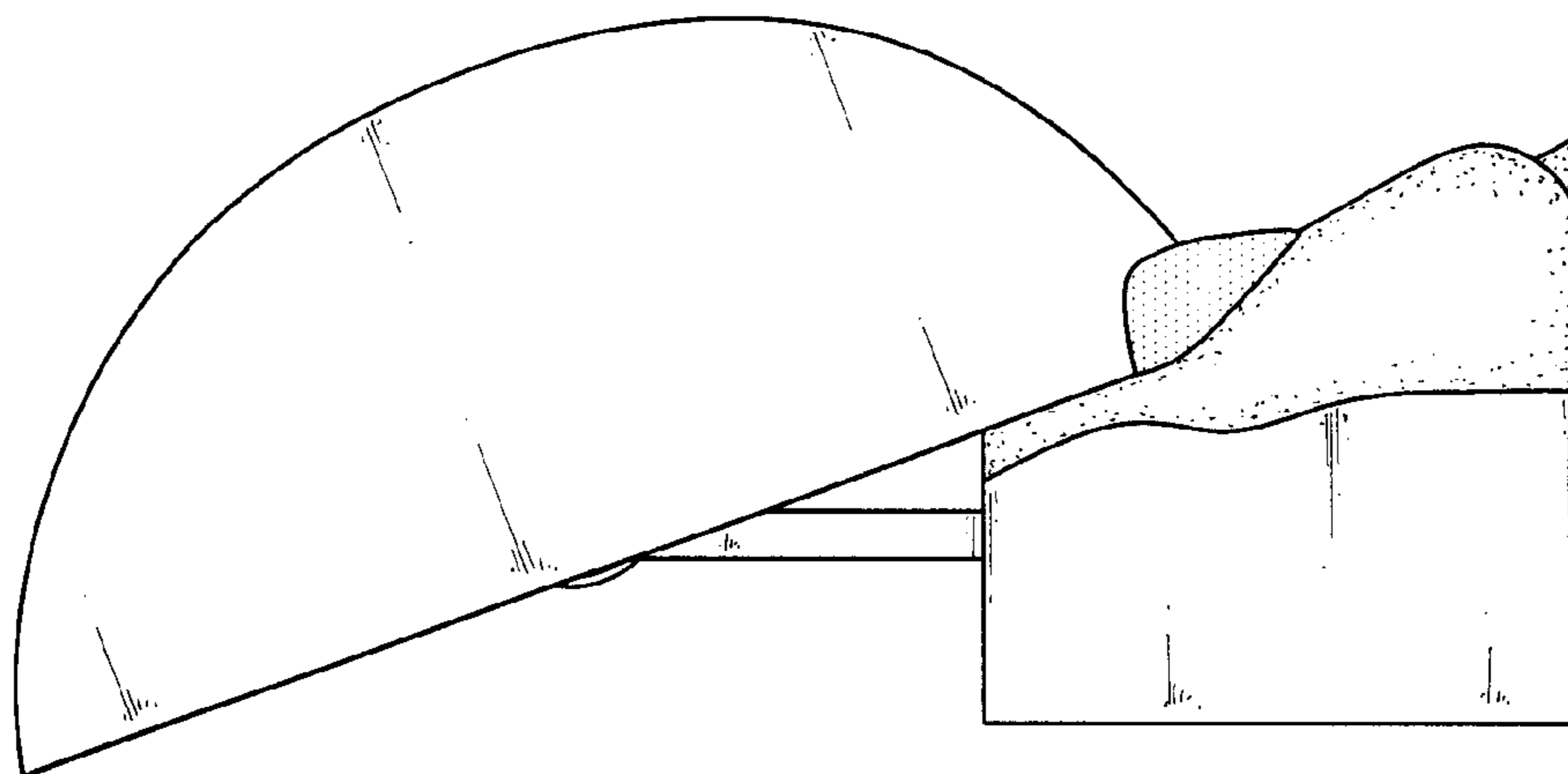


FIG. 4

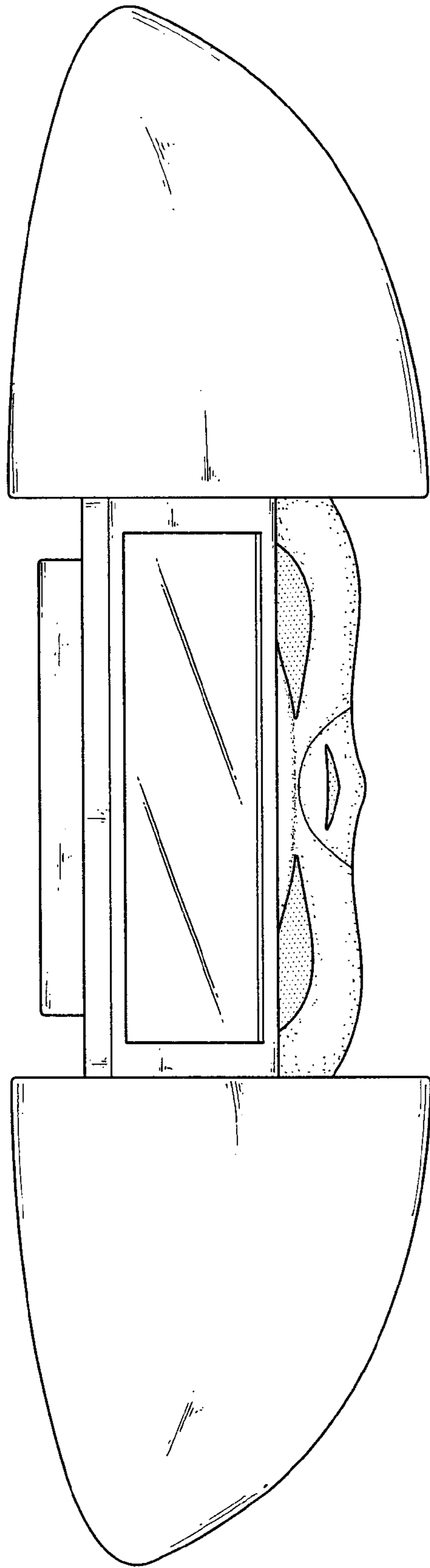


FIG. 6

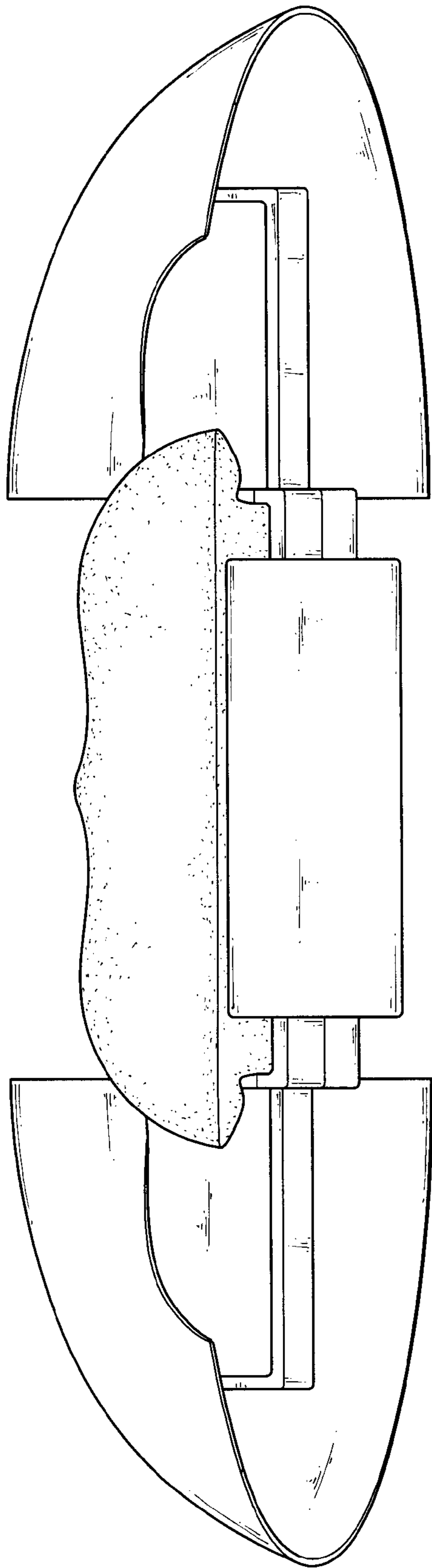


FIG. 7

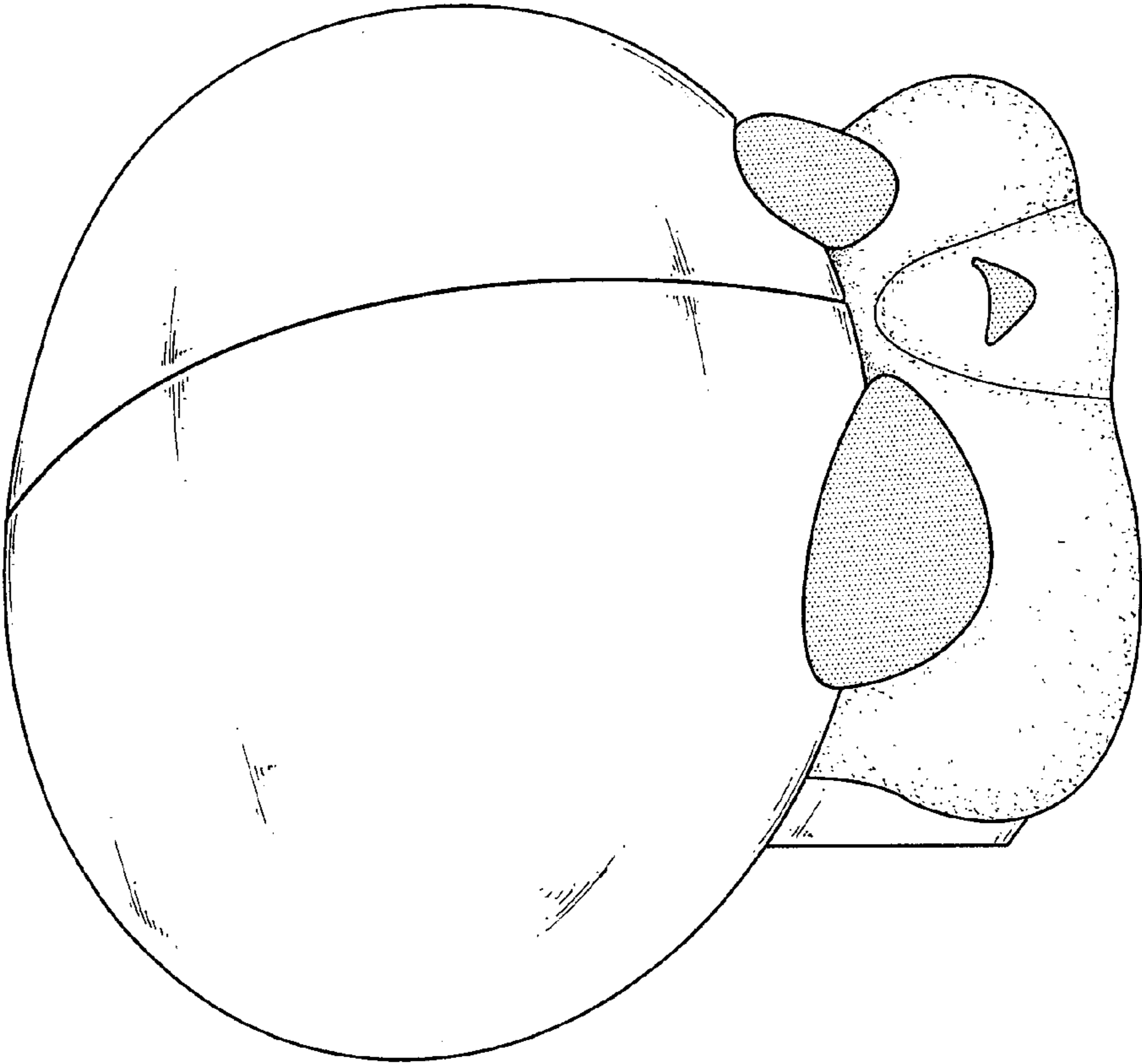


FIG. 8