



US00D518799S

(12) **United States Design Patent**  
**Peng**

(10) **Patent No.:** **US D518,799 S**

(45) **Date of Patent:** **\*\* Apr. 11, 2006**

(54) **LIQUID CRYSTAL DISPLAY**

(75) Inventor: **Juen Tien Peng, Chung Li (TW)**

(73) Assignee: **Action Electronics Co., Ltd., Chung Li (TW)**

(\*\*) Term: **14 Years**

(21) Appl. No.: **29/223,732**

(22) Filed: **Feb. 18, 2005**

(51) **LOC (8) Cl.** ..... **14-03**

(52) **U.S. Cl.** ..... **D14/126**

(58) **Field of Classification Search** ..... D14/125-134,  
D14/239, 371, 136, 374-376; 312/7.2; 348/836,  
348/838, 180, 184, 325, 739; 341/12; 248/917-924,  
248/291.1, 465; 345/104, 133, 156, 168,  
345/87, 173; 720/605, 669, 600, 655; 369/99,  
369/197; 455/344-347

See application file for complete search history.

(56) **References Cited**

**U.S. PATENT DOCUMENTS**

D324,040	S	*	2/1992	Saito et al.	.....	D14/126
5,100,098	A	*	3/1992	Hawkins	.....	248/291.1
D403,670	S	*	1/1999	Liao	.....	D14/375
D412,900	S	*	8/1999	Utsugi	.....	D14/136
D415,147	S	*	10/1999	Adachi	.....	D14/132

D439,567	S	*	3/2001	Forlenza et al.	.....	D14/129
D468,276	S	*	1/2003	Chang	.....	D14/126
D501,832	S	*	2/2005	Peng	.....	D14/129
D502,152	S	*	2/2005	Peng	.....	D14/126
D502,452	S	*	3/2005	Peng	.....	D14/129
D503,160	S	*	3/2005	Peng	.....	D14/129
D506,733	S	*	6/2005	Boyer, Jr.	.....	D14/126

**OTHER PUBLICATIONS**

Mobile Planet, cover page, 2003.\*  
White Oak Pharmacy, p. 62, 2003.\*

\* cited by examiner

*Primary Examiner*—Raphael Barkai

(57) **CLAIM**

The ornamental design for a liquid crystal display, as shown and described.

**DESCRIPTION**

FIG. 1 is a perspective view of liquid crystal display showing my design.

FIG. 2 is a front elevational view thereof;

FIG. 3 is rear elevational view thereof.

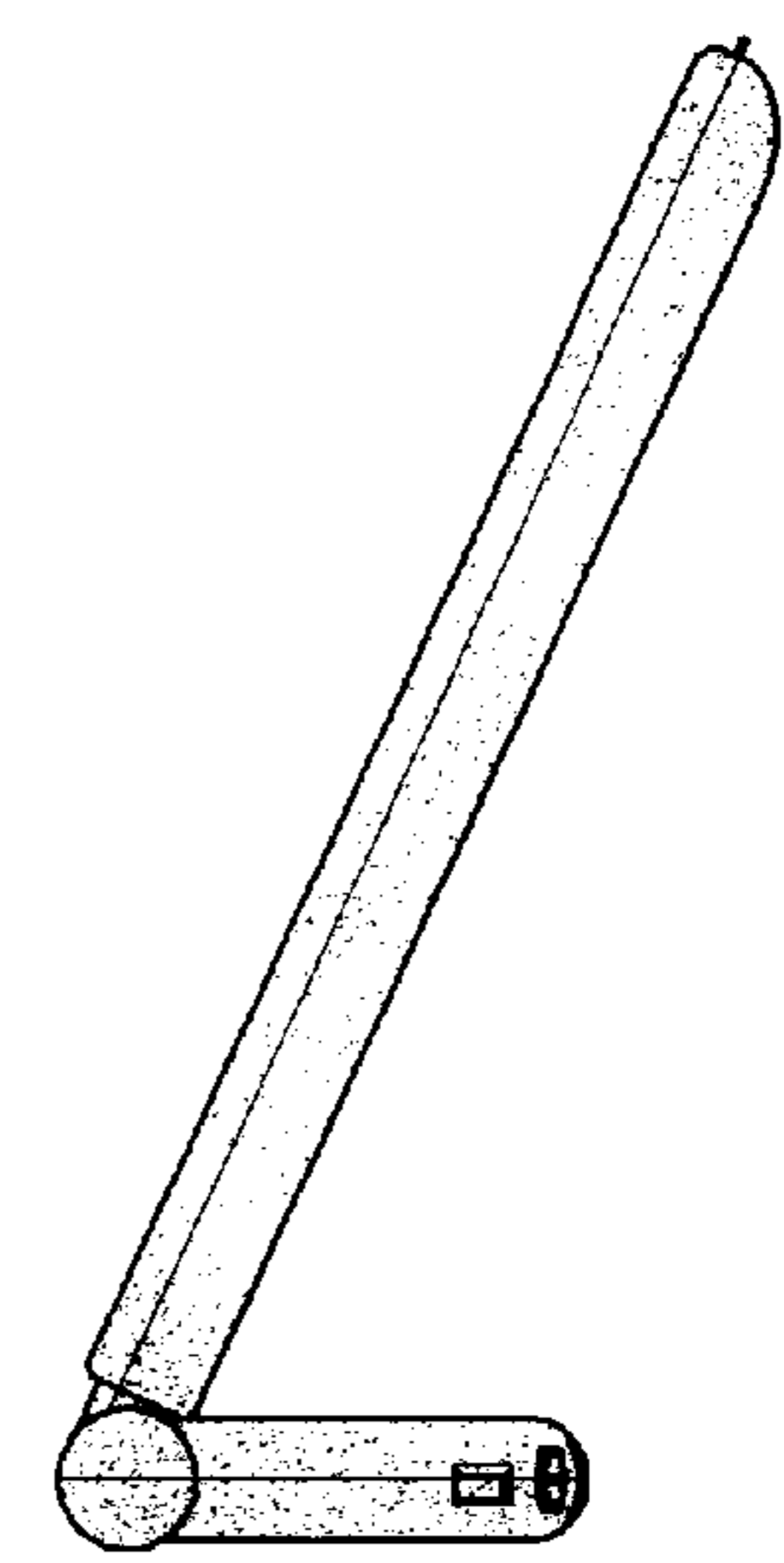
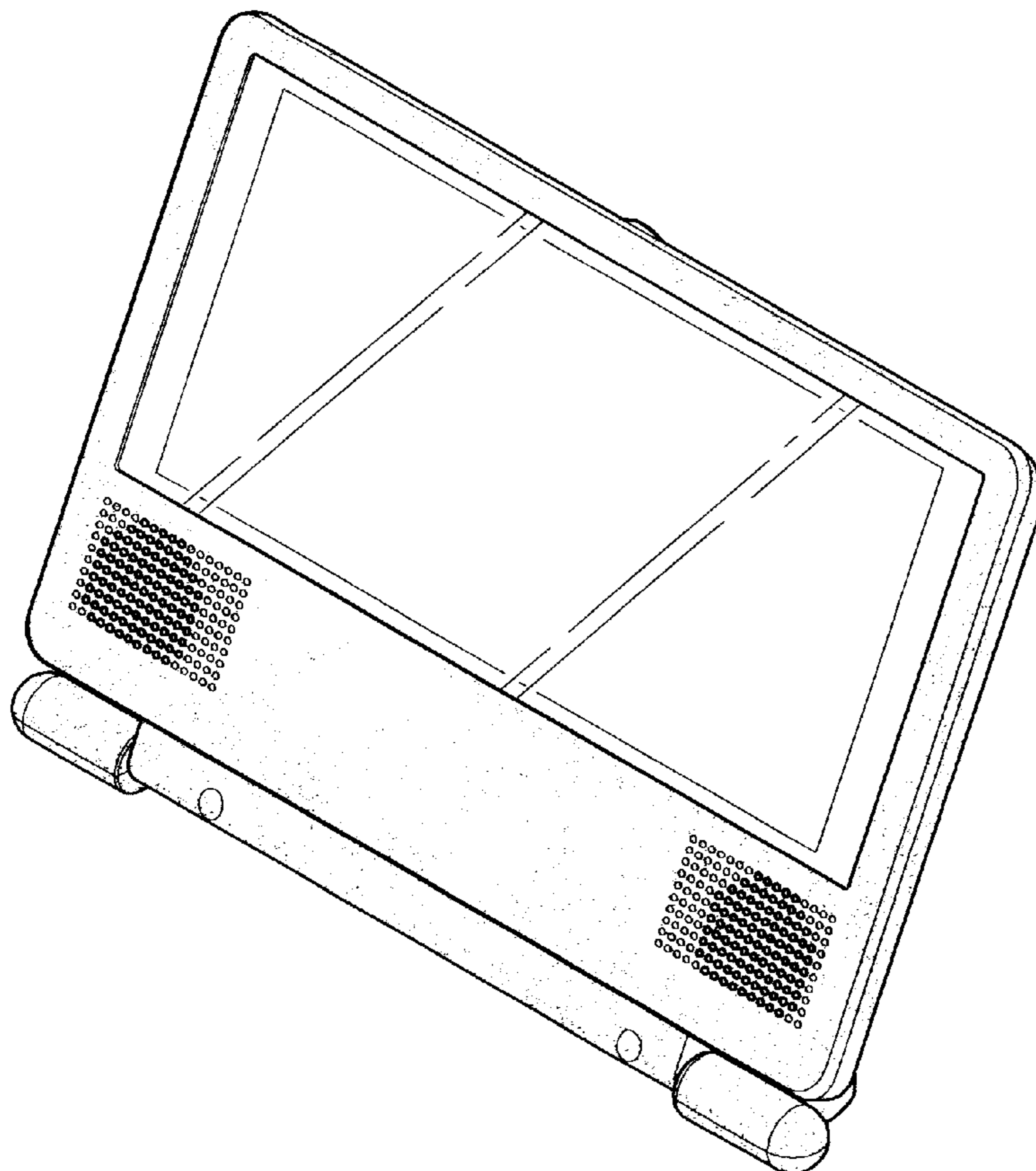
FIG. 4 is left elevational view thereof;

FIG. 5 is a right elevational view thereof;

FIG. 6 is a top view thereof; and,

FIG. 7 is a bottom view thereof.

**1 Claim, 4 Drawing Sheets**



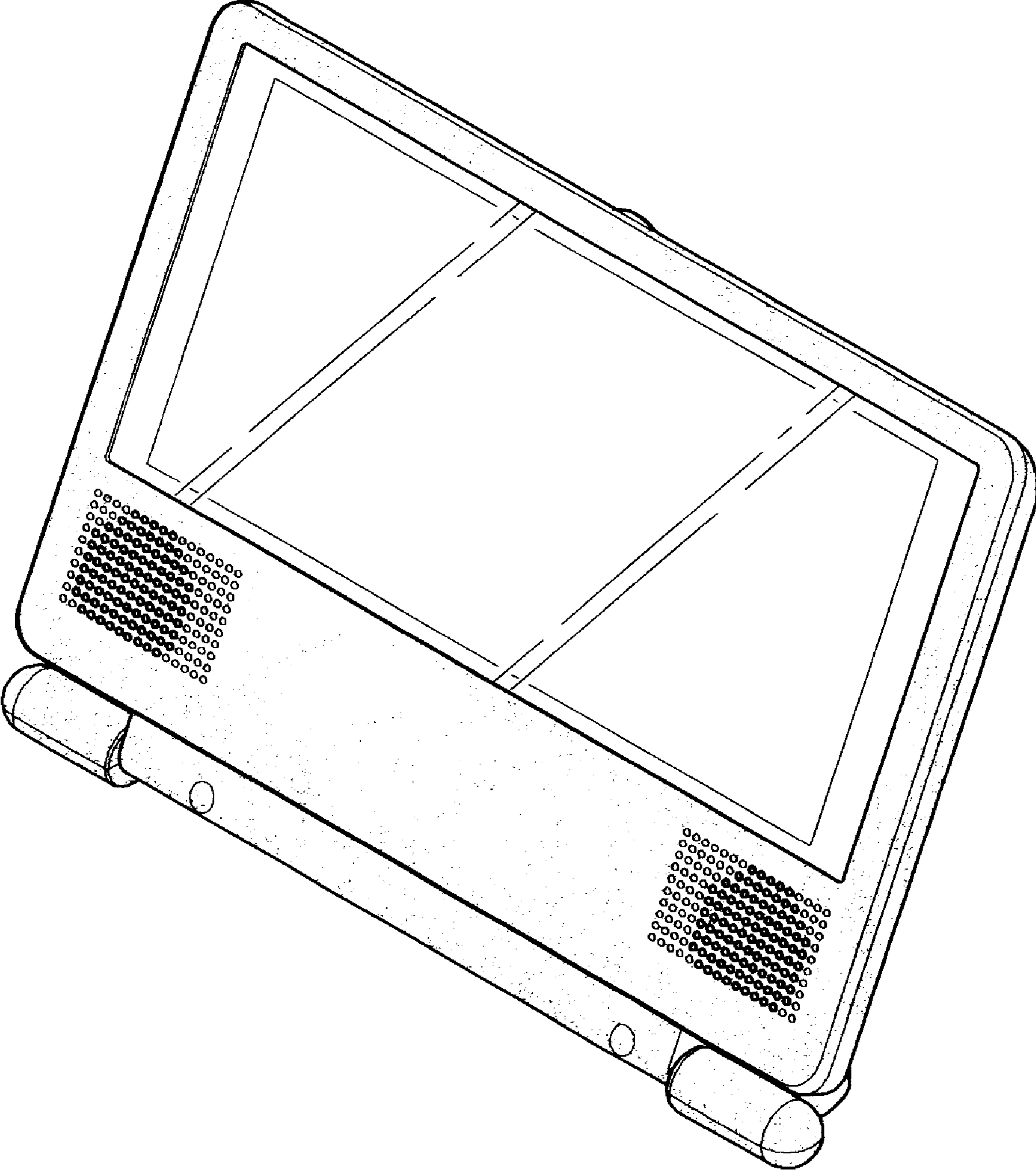


FIG. 1

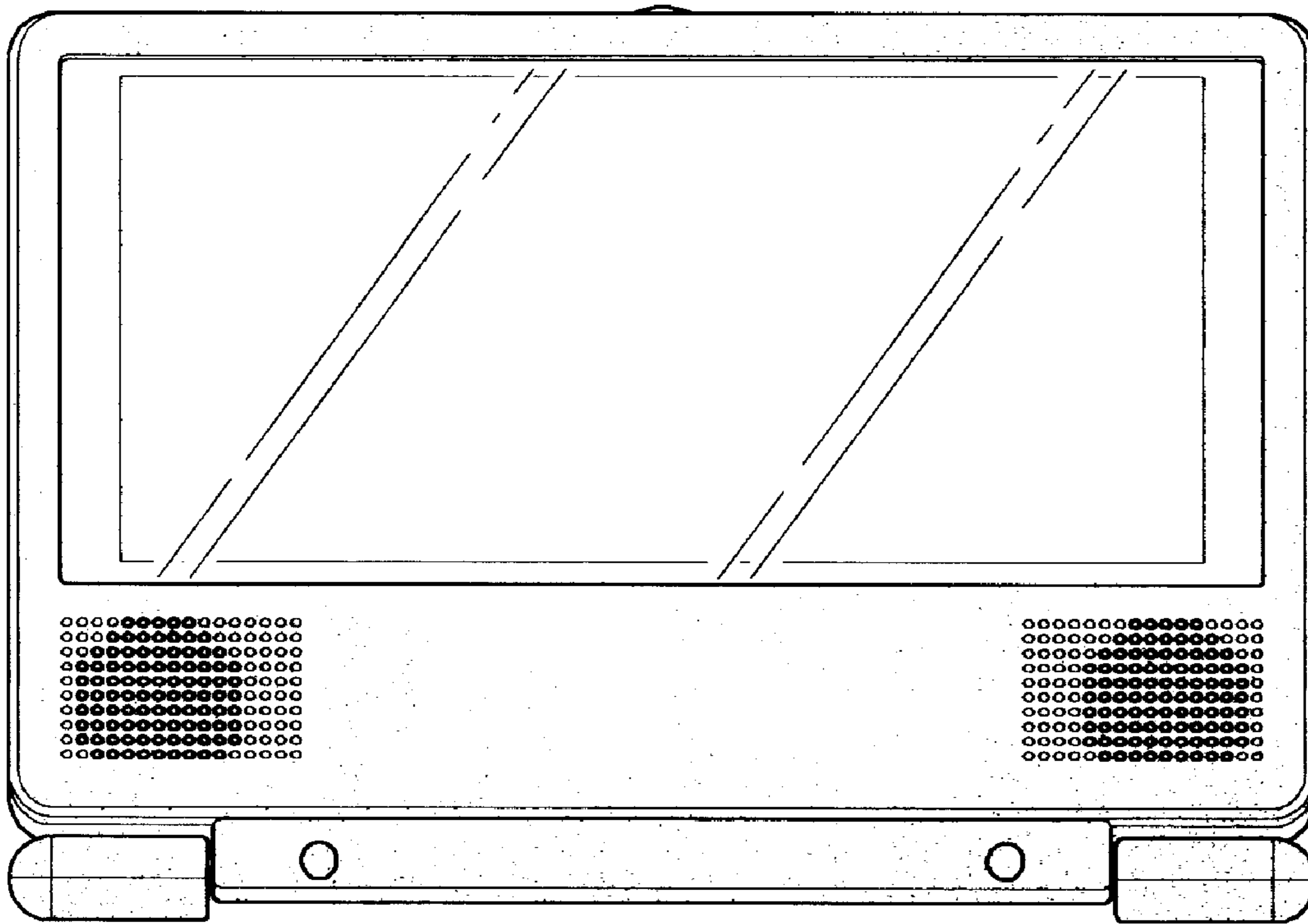


FIG. 2

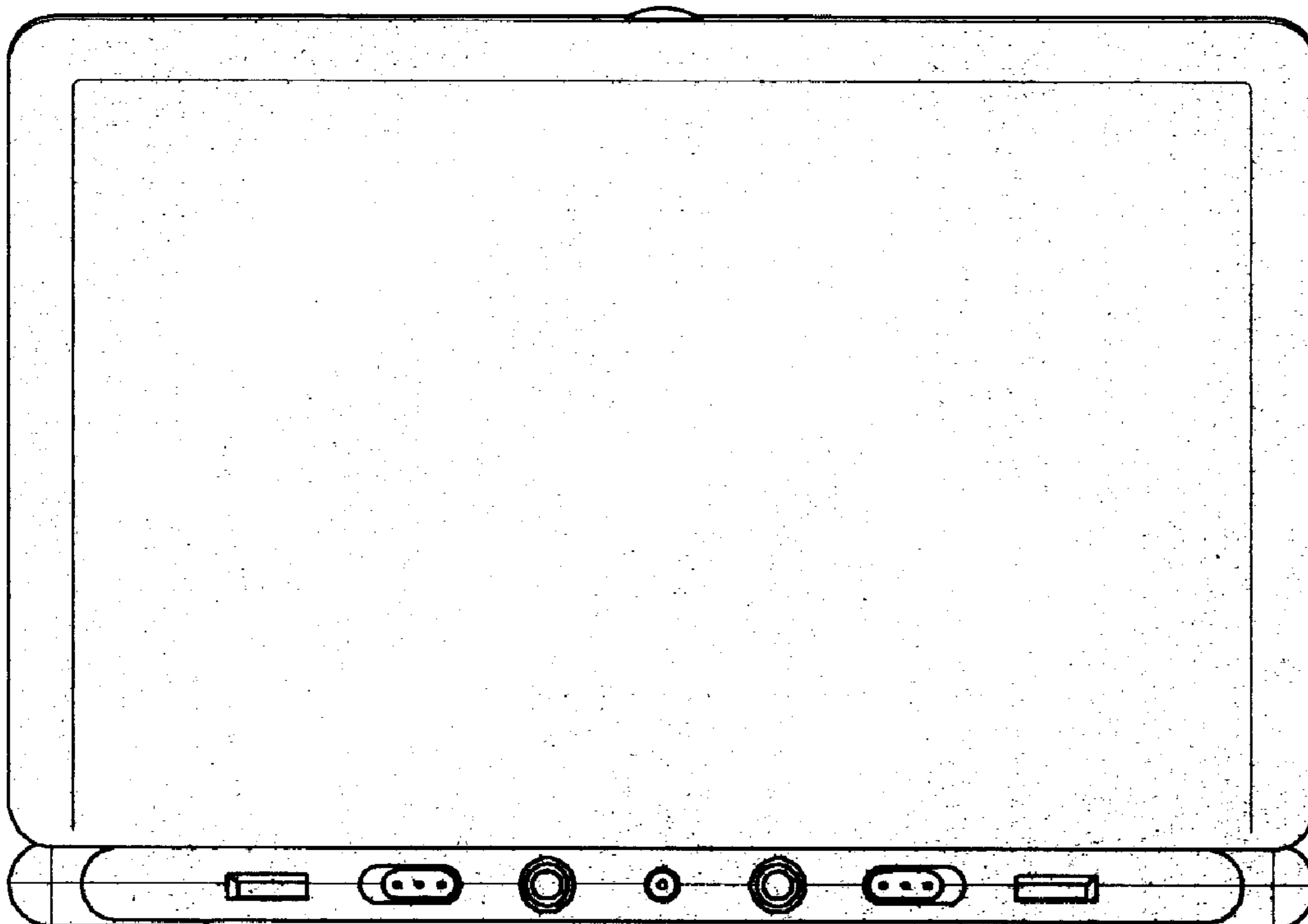


FIG. 3

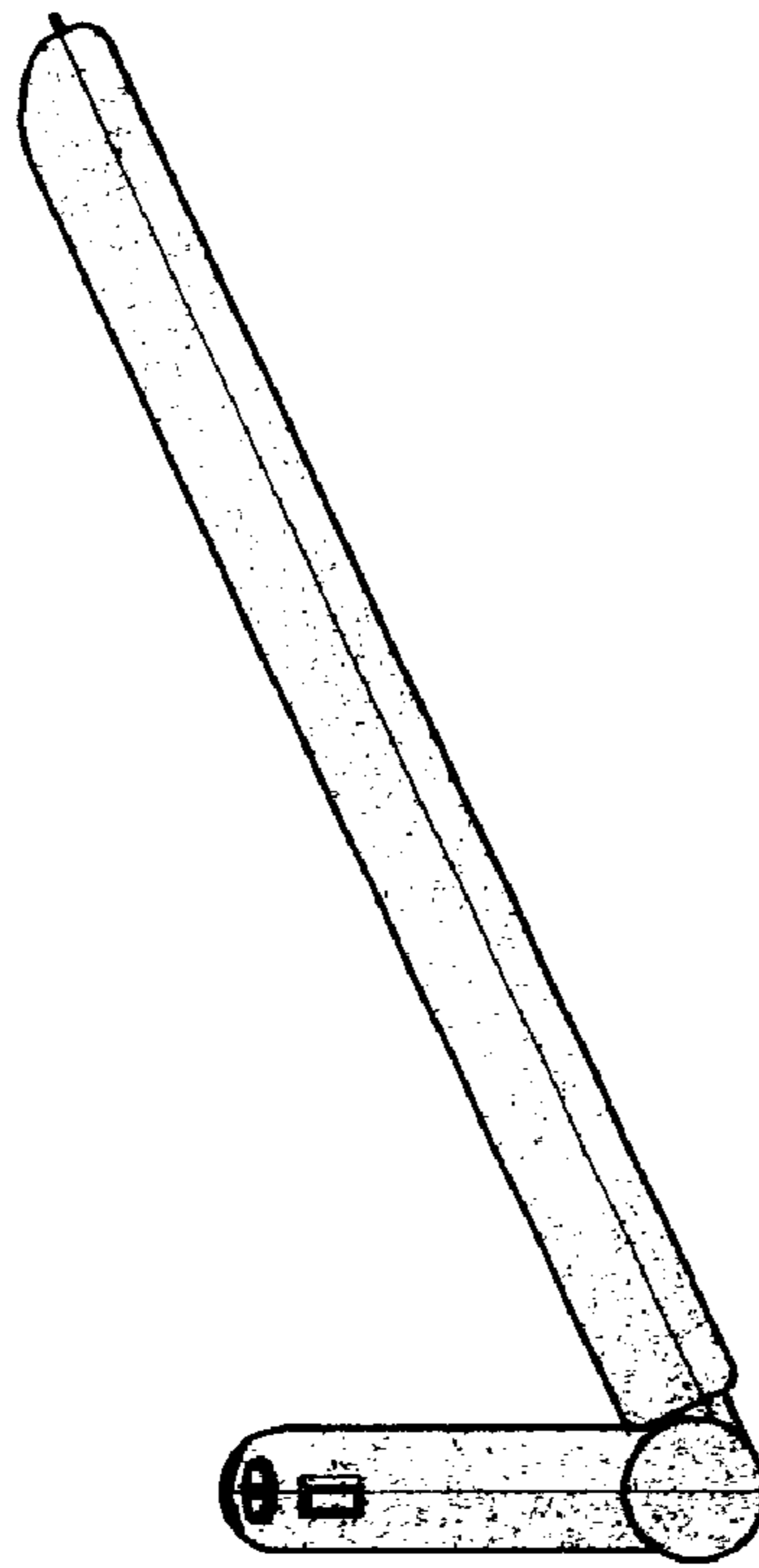


FIG. 4

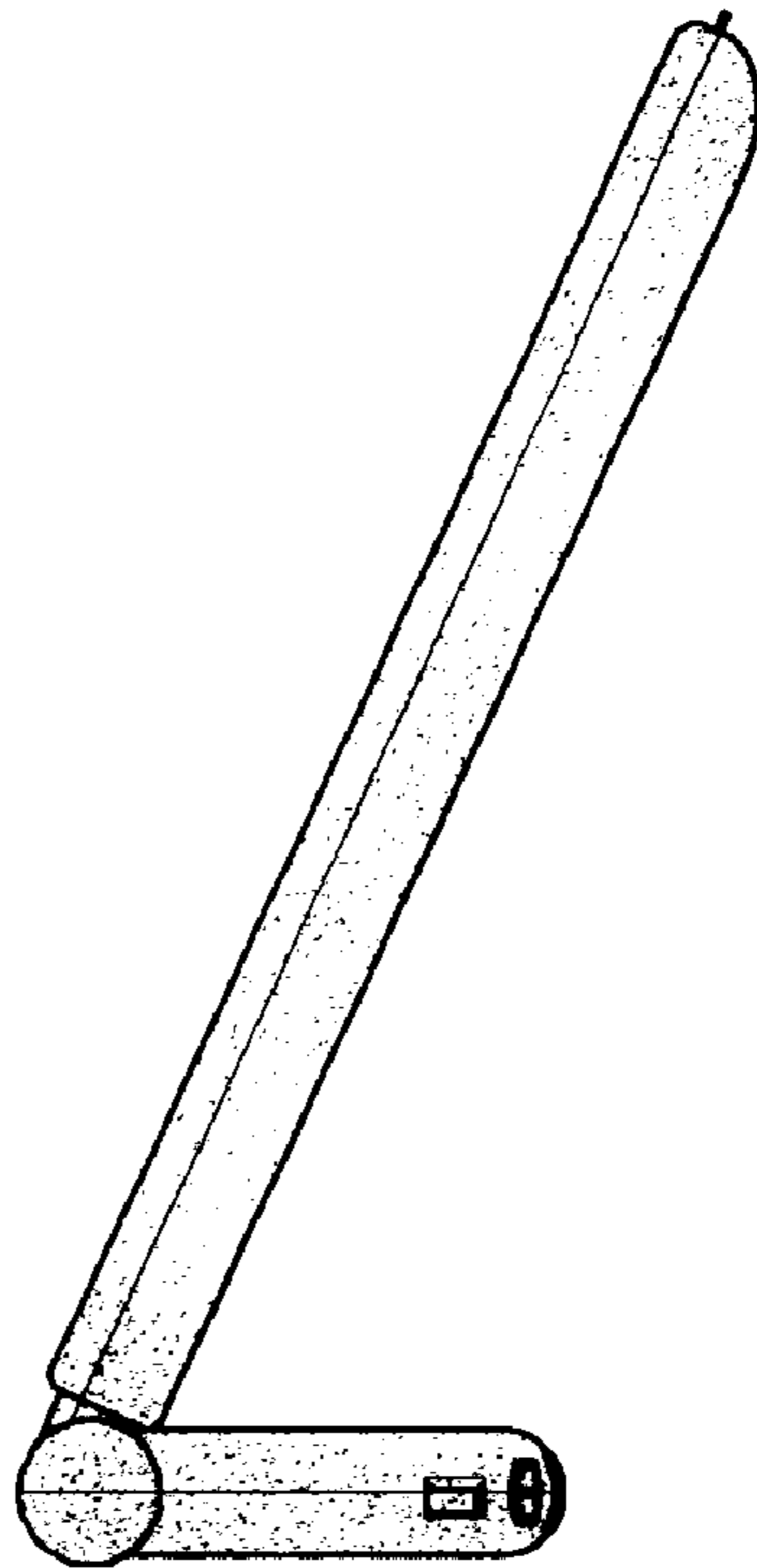


FIG. 5

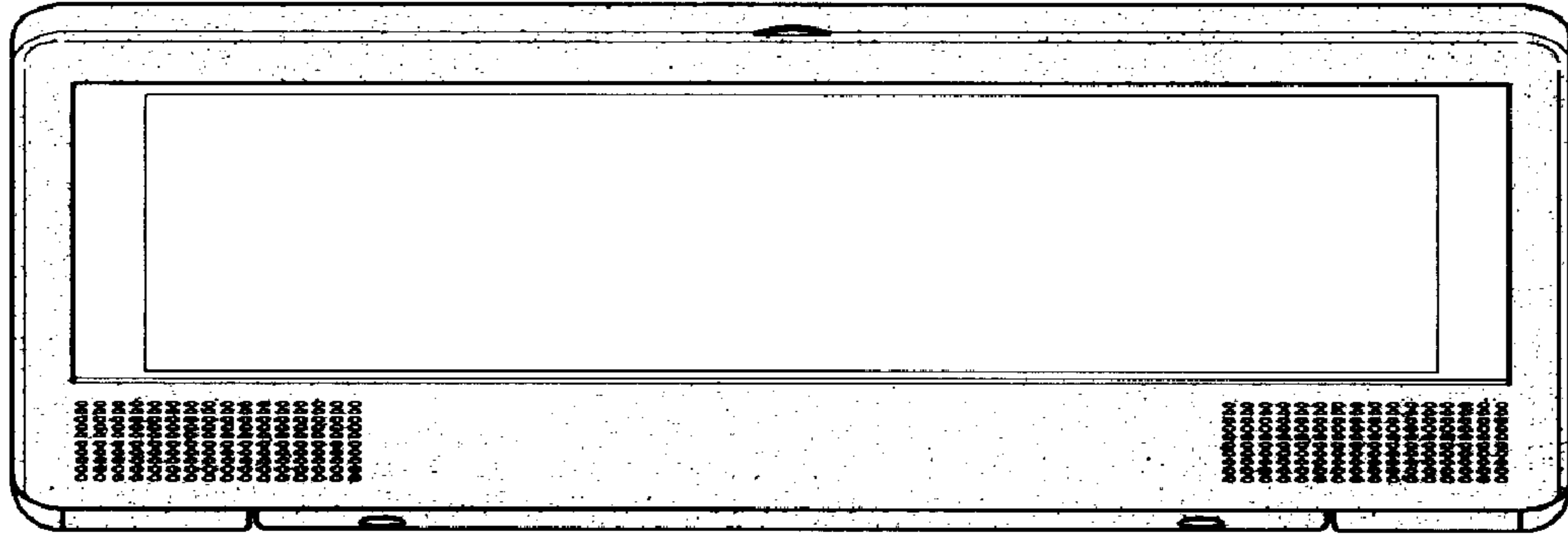


FIG. 6

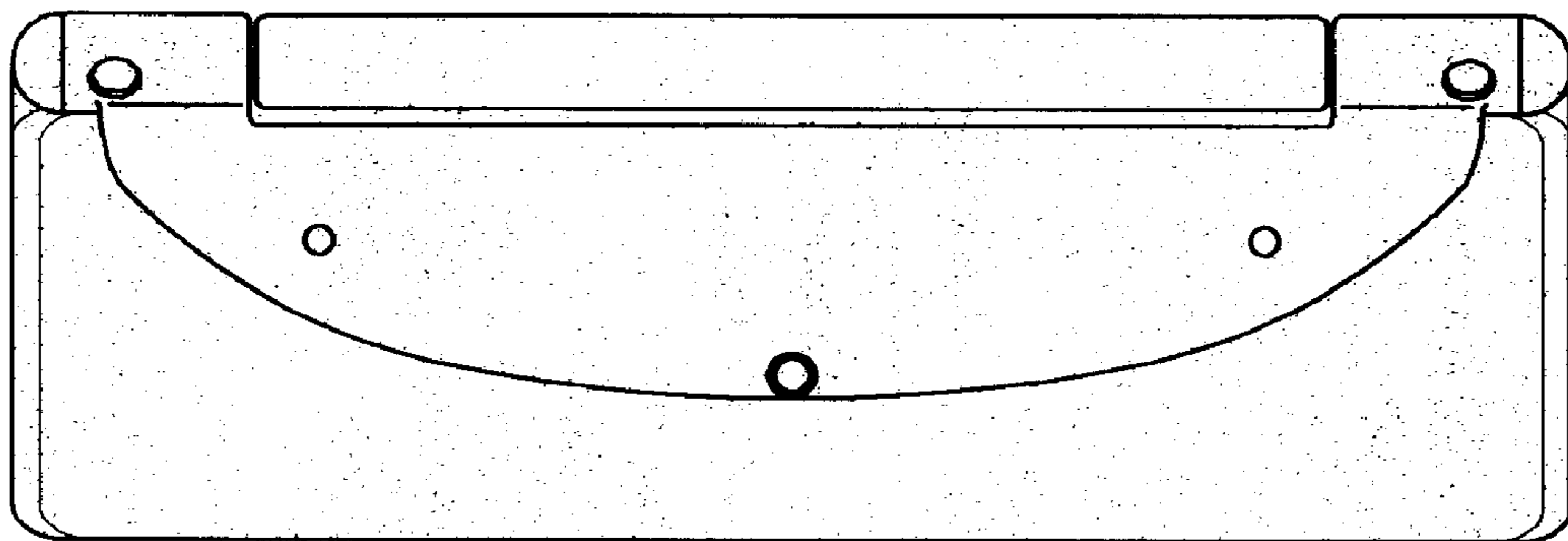


FIG. 7