



US00D518798S

(12) **United States Design Patent**  
**Hisaishi et al.**

(10) **Patent No.:** **US D518,798 S**

(45) **Date of Patent:** **\*\* Apr. 11, 2006**

(54) **COVER FOR A SEMICONDUCTOR CARRIER**

5,451,165 A 9/1995 Cearley-Cabbiness et al. ... 439/71

(75) Inventors: **Minoru Hisaishi**, Tokyo (JP); **Noriyuki Matsuoka**, Tokyo (JP); **Takeyuki Suzuki**, Tokyo (JP)

5,519,332 A 5/1996 Wood et al. .... 324/755  
5,541,525 A 7/1996 Wood et al. .... 324/755  
D401,567 S 11/1998 Farnworth et al. .... D13/182  
2001/0043074 A1 11/2001 Hembree et al. .... 324/755  
2004/0016993 A1 1/2004 Ham et al. .... 257/666

(73) Assignee: **Yamaichi Electronics Co., LTD**, Tokyo (JP)

*Primary Examiner*—Stella Reid  
*Assistant Examiner*—Selina Sikder

(\*\*) Term: **14 Years**

(74) *Attorney, Agent, or Firm*—Finnegan, Henderson, Farabow, Garrett & Dunner, LLP

(21) Appl. No.: **29/231,788**

(57) **CLAIM**

(22) Filed: **Jun. 10, 2005**

The ornamental design for a cover for a semiconductor carrier, as shown and described.

**Related U.S. Application Data**

**DESCRIPTION**

(62) Division of application No. 29/210,045, filed on Jul. 27, 2004, now Pat. No. Des. 507,248.

FIG. 1 is a top perspective view of a cover for a semiconductor carrier of our new design;  
FIG. 2 is a front view thereof;  
FIG. 3 is a rear view thereof;  
FIG. 4 is a top view thereof;  
FIG. 5 is a bottom view thereof;  
FIG. 6 is a right-end view thereof; and,  
FIG. 7 is a left-end view thereof.  
The broken line showing of the environment is for illustrative purpose only and forms no part of the claimed design.

(51) **LOC (8) Cl.** ..... **13-03**

(52) **U.S. Cl.** ..... **D13/182**

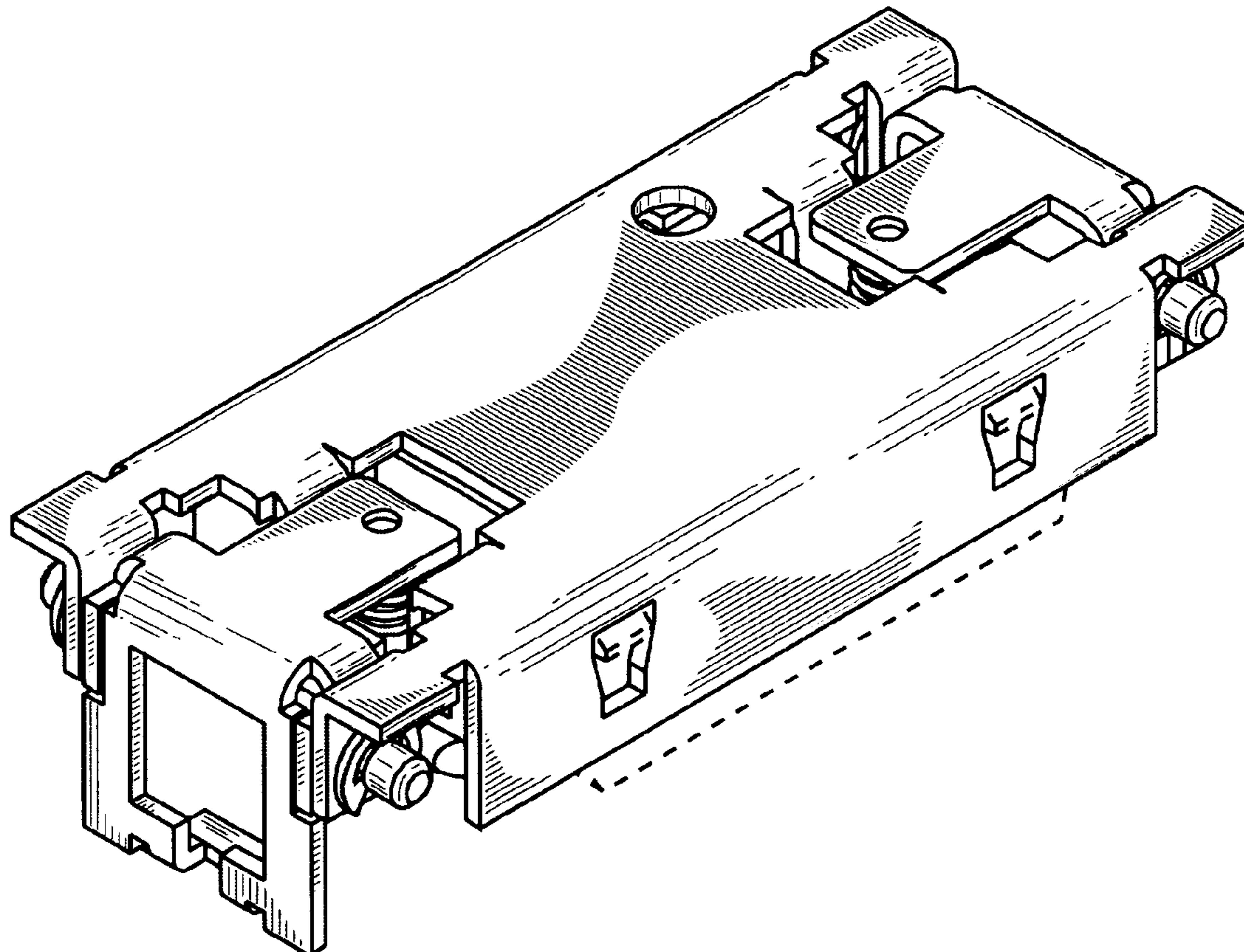
(58) **Field of Classification Search** ..... D13/182;  
257/666, 669, 675, 676; 324/755  
See application file for complete search history.

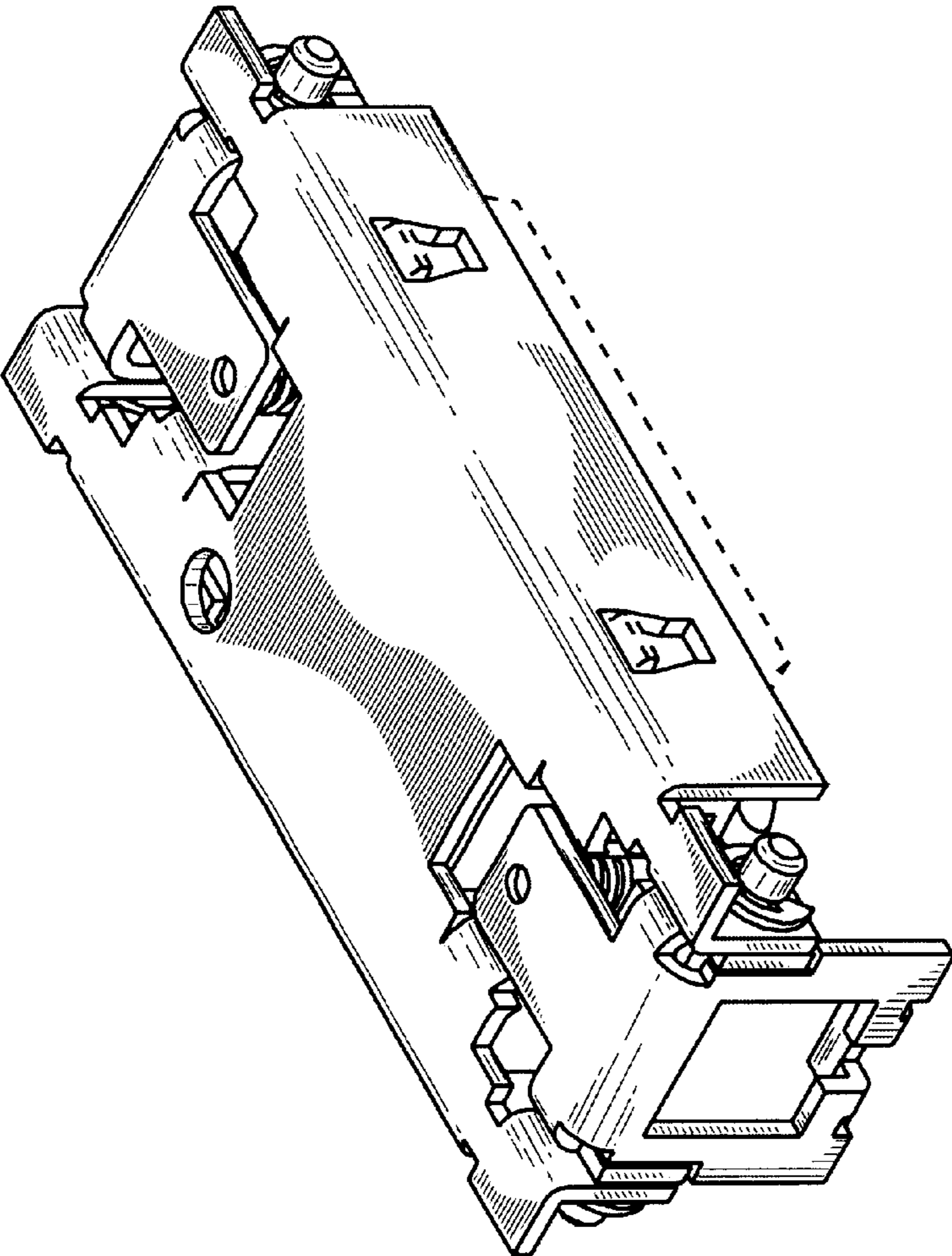
(56) **References Cited**

**U.S. PATENT DOCUMENTS**

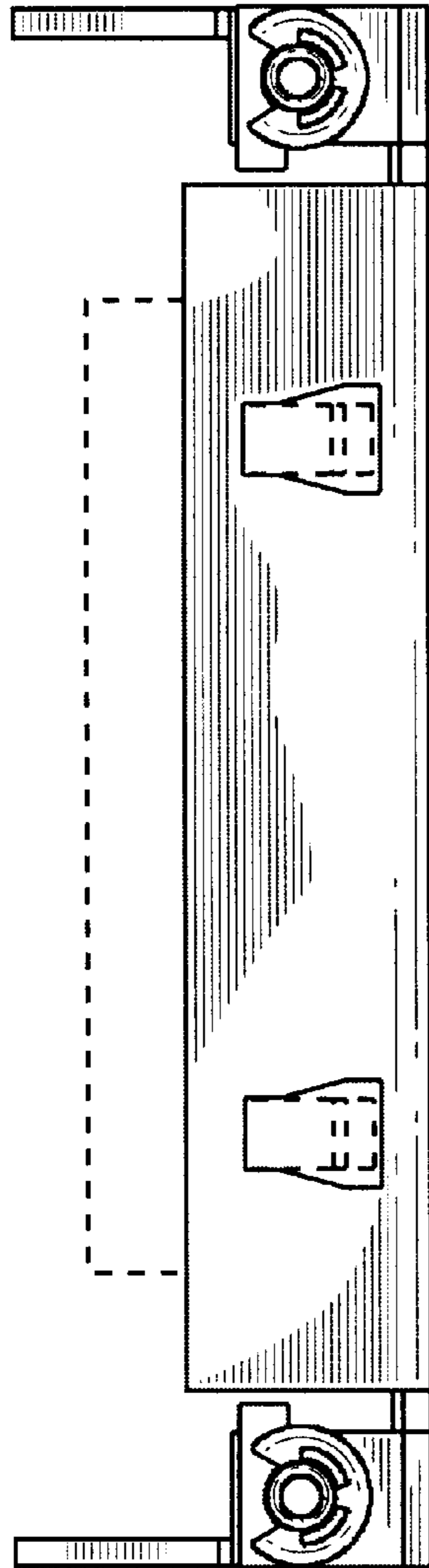
D359,028 S 6/1995 Siegel et al. .... D13/182

**1 Claim, 4 Drawing Sheets**

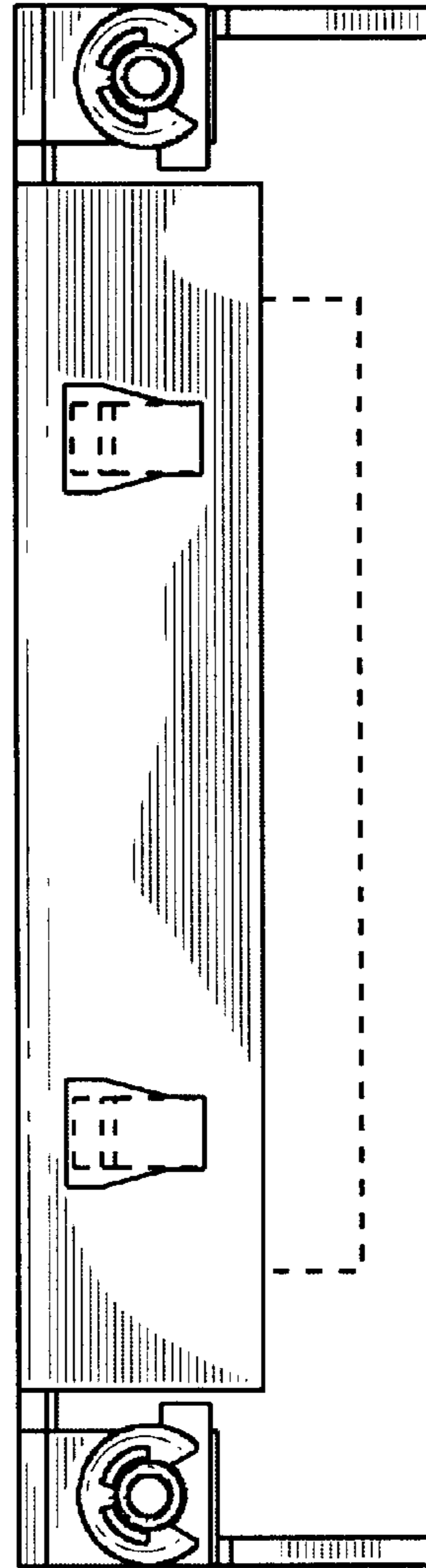




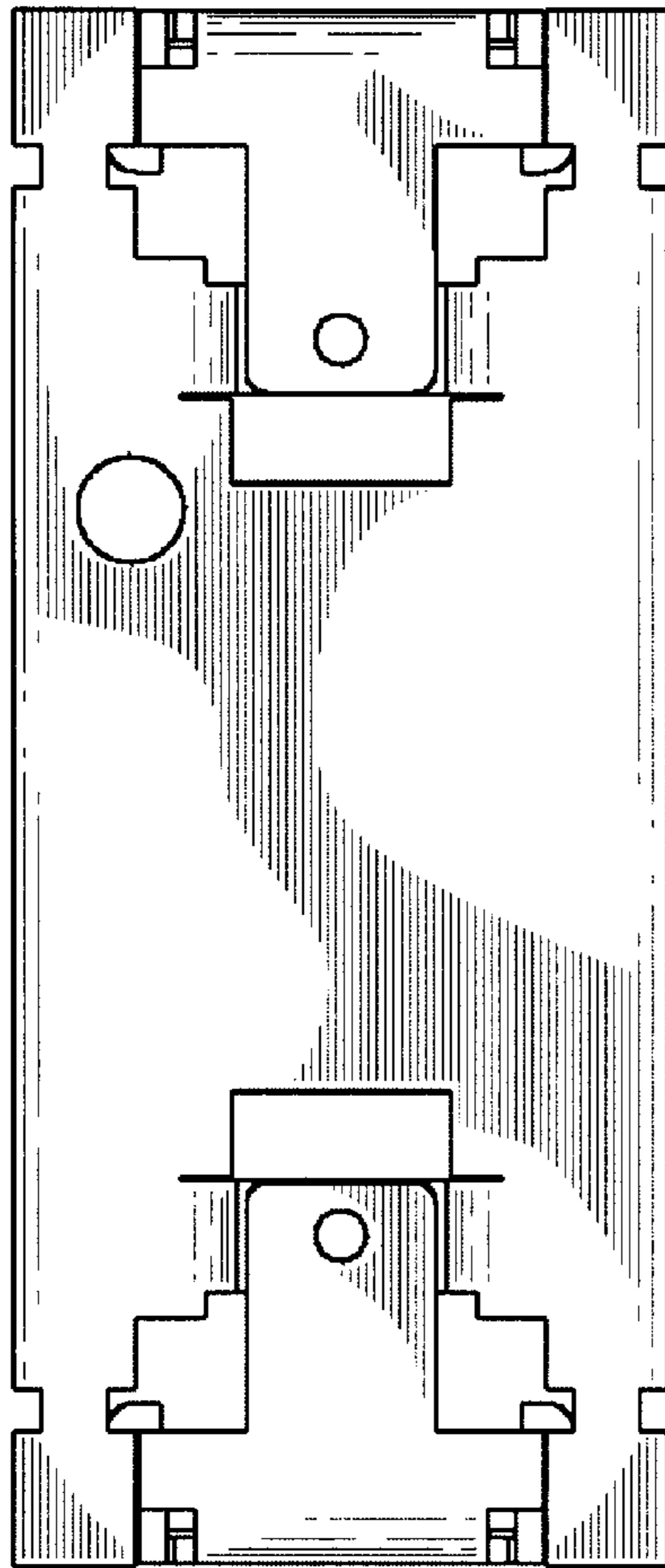
**FIG. 1**



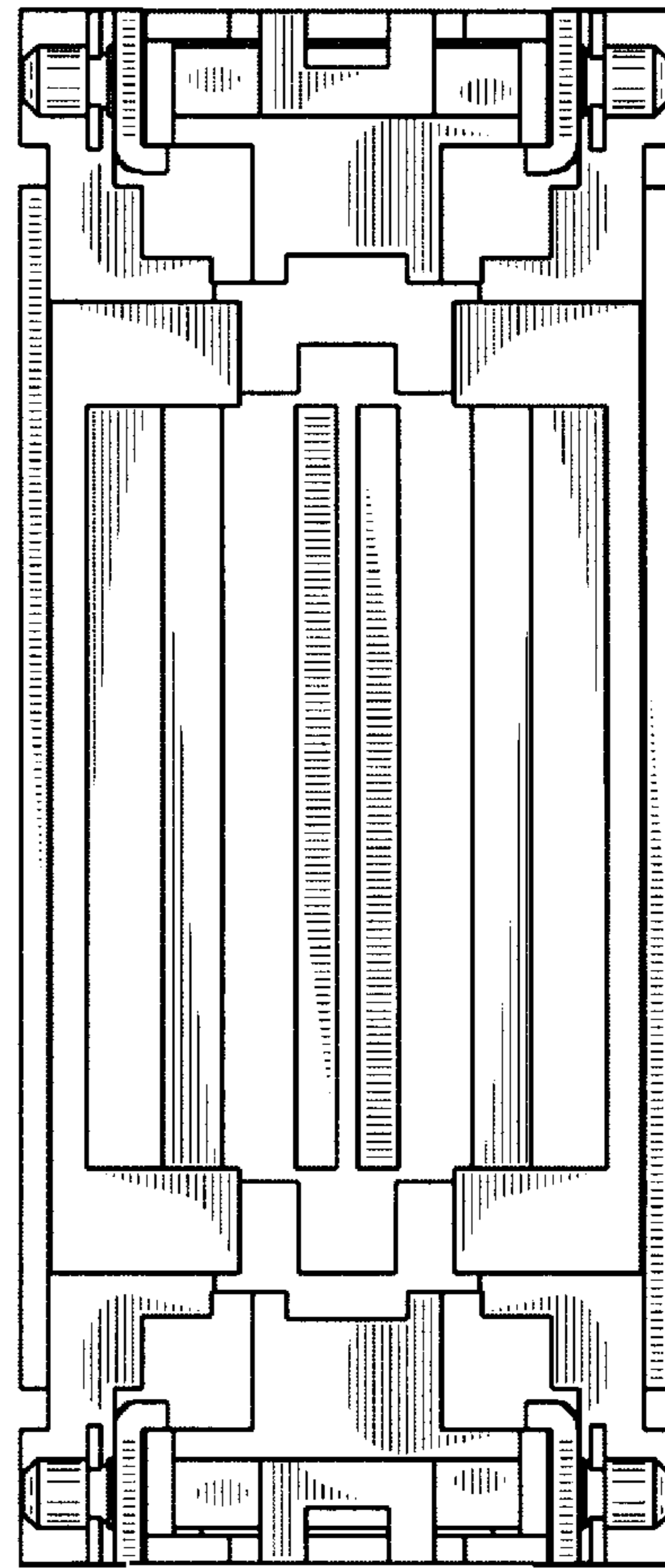
**FIG. 2**



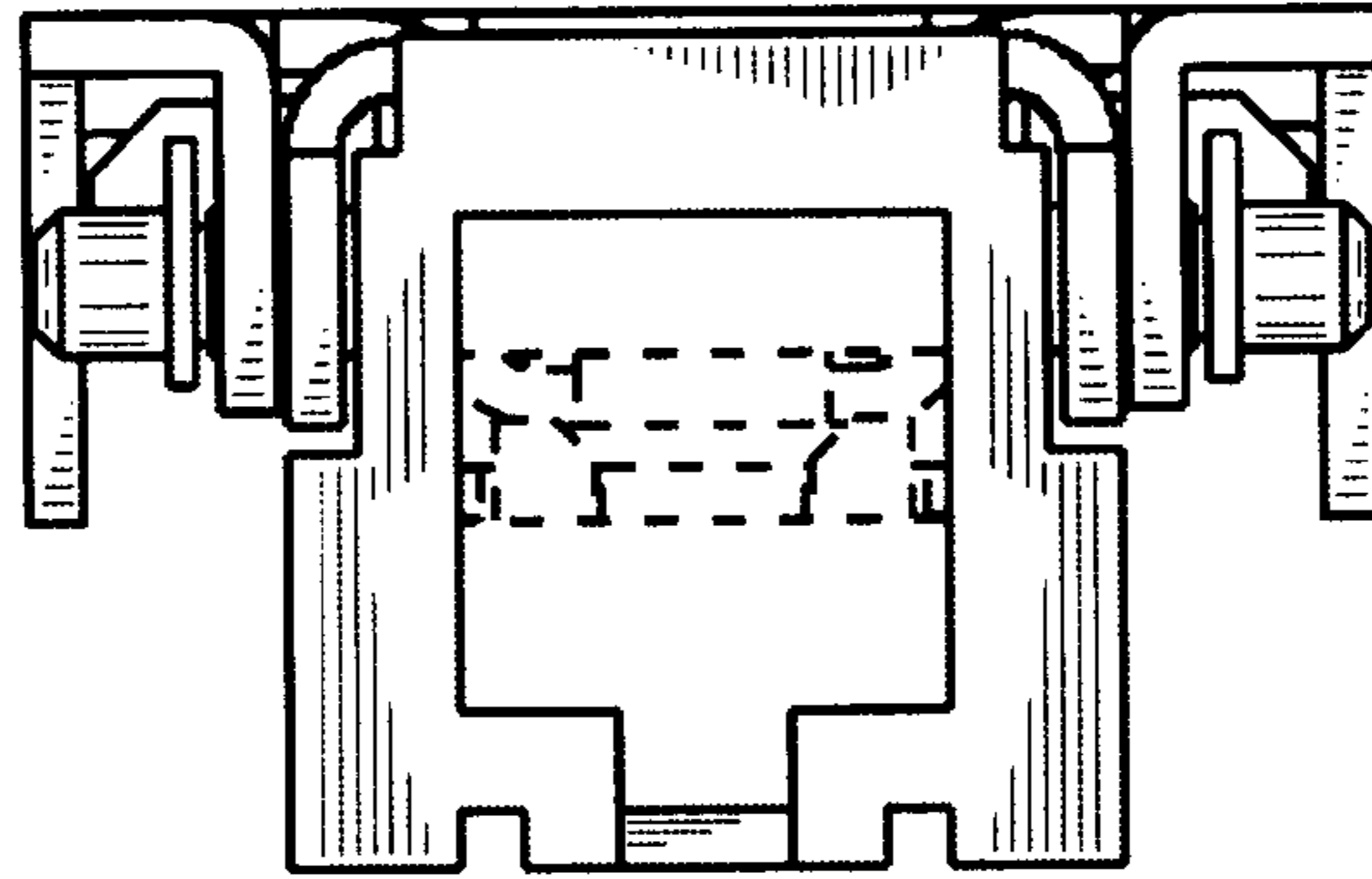
**FIG. 3**



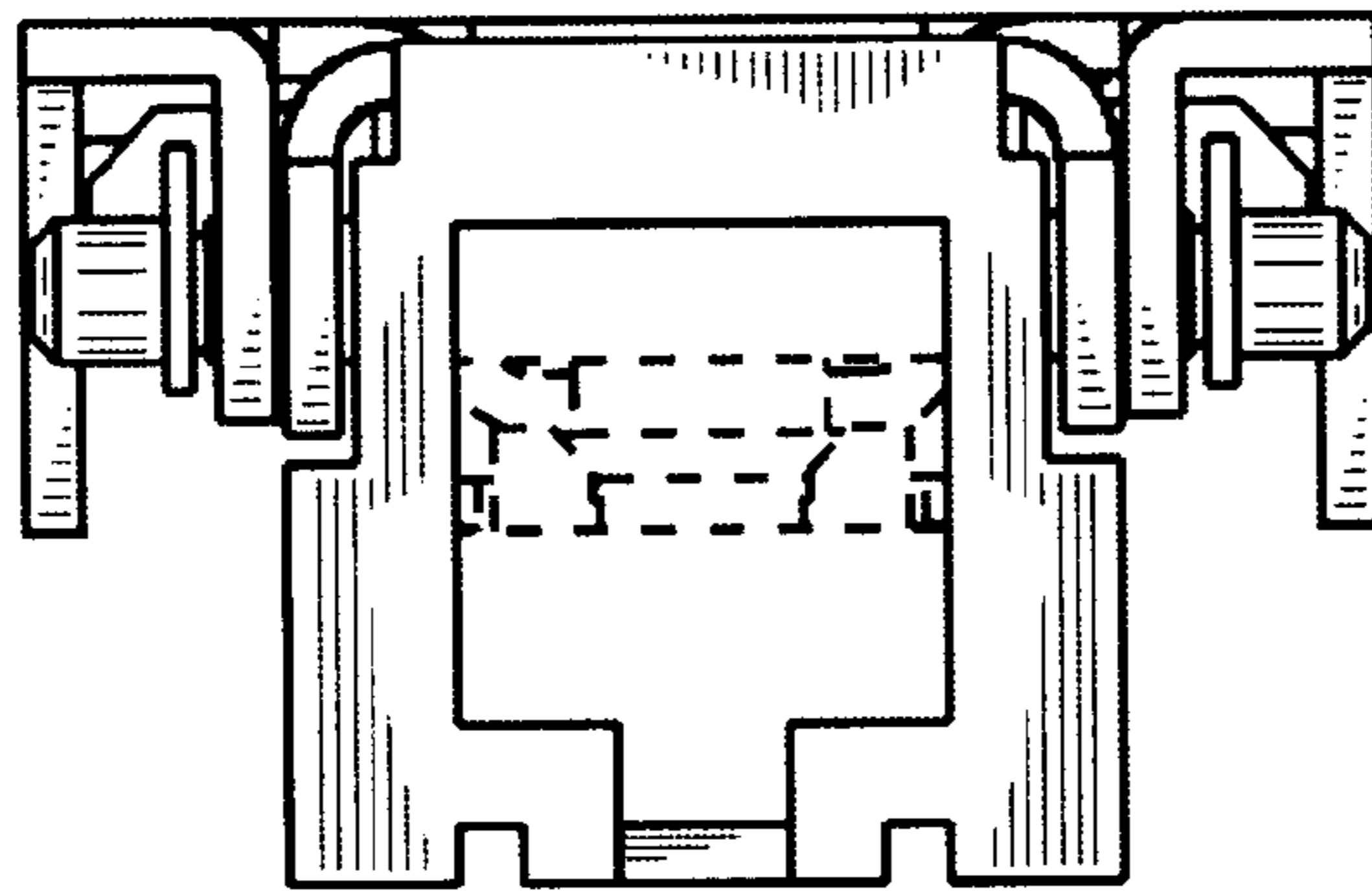
**FIG. 4**



**FIG. 5**



**FIG. 6**



**FIG. 7**