



US00D518796S

(12) **United States Design Patent**
Shingt

(10) **Patent No.:** **US D518,796 S**

(45) **Date of Patent:** **** Apr. 11, 2006**

(54) **IN-LINE FUSE HOLDER**

5,888,098 A * 3/1999 Cheng et al. 439/621
D490,381 S * 5/2004 Dejan D13/178

(76) Inventor: **Yuen Kim Shingt**, 14A, Hong to
Commercial Bldg., 357 Lockhart Road,
Wan Chai (HK)

* cited by examiner

(**) Term: **14 Years**

Primary Examiner—Stella Reid
Assistant Examiner—Selina Sikder
(74) *Attorney, Agent, or Firm*—Malloy & Malloy, P.A.

(21) Appl. No.: **29/219,583**

(57) **CLAIM**

(22) Filed: **Dec. 17, 2004**

The ornamental design for in-line fuse holder, as shown and described.

(51) **LOC (8) Cl.** **13-03**

(52) **U.S. Cl.** **D13/178**

(58) **Field of Classification Search** D13/160,
D13/161, 178; 337/181, 186, 196, 199, 205,
337/213; 361/600, 626, 642, 646, 833, 834,
361/809, 835; 439/76.12, 621, 622, 698,
439/830, 831, 832

See application file for complete search history.

DESCRIPTION

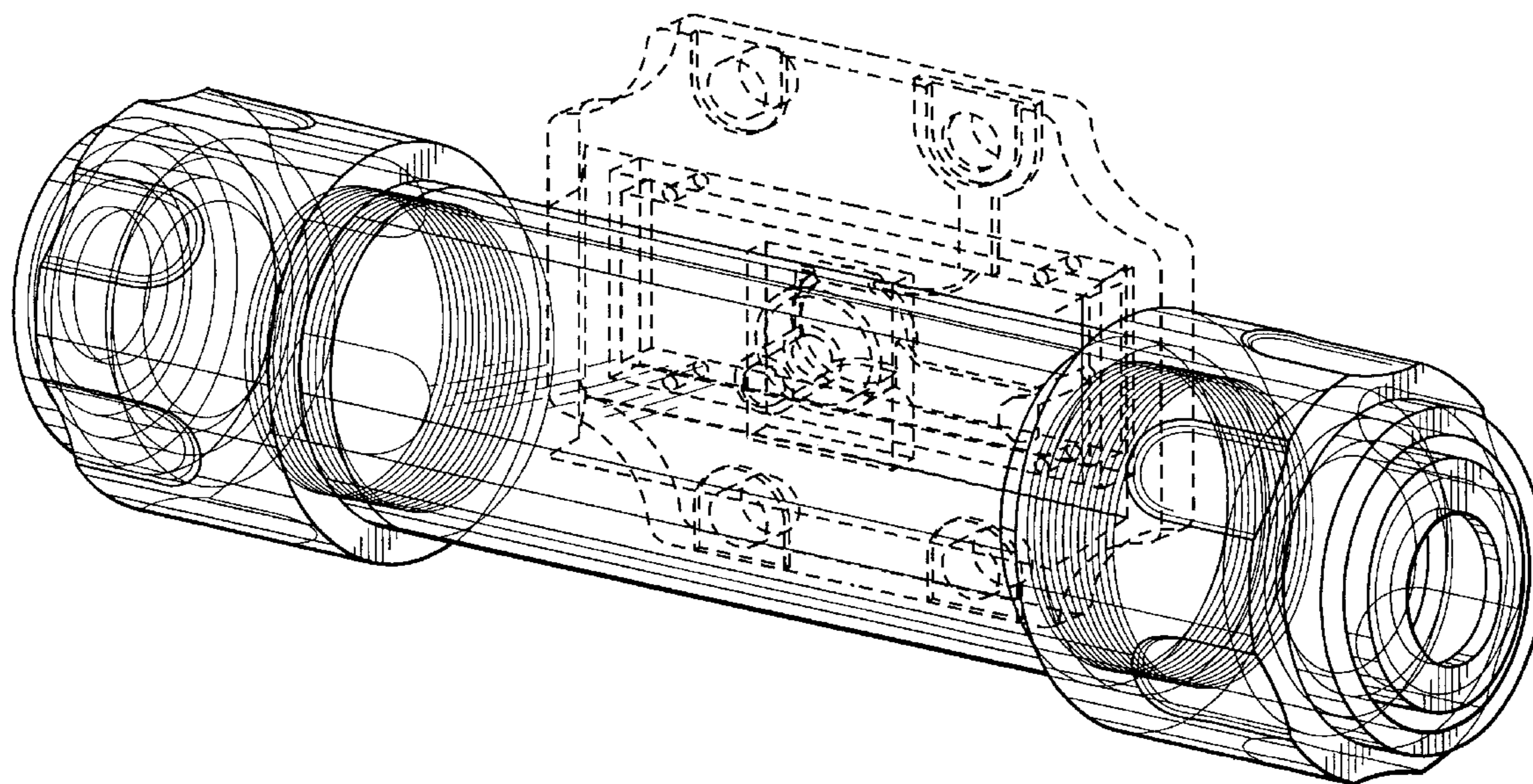
FIG. 1 is a top perspective view illustrating my design for an in-line fuse holder;
FIG. 2 is a top view thereof;
FIG. 3 is a left side view thereof;
FIG. 4 is a front view thereof;
FIG. 5 is a right side view thereof;
FIG. 6 is a rear view thereof;
FIG. 7 is a bottom view thereof; and,
FIG. 8 is a top, partially exploded view thereof.
The broken line showing of the environment is for illustrative purpose only and forms no part of the claimed design.

(56) **References Cited**

U.S. PATENT DOCUMENTS

D381,010 S * 7/1997 Ansley D13/178
5,648,749 A * 7/1997 Lin et al. 337/205
D390,831 S * 2/1998 Liang D13/178
D406,569 S * 3/1999 Awbrey et al. D13/178

1 Claim, 5 Drawing Sheets



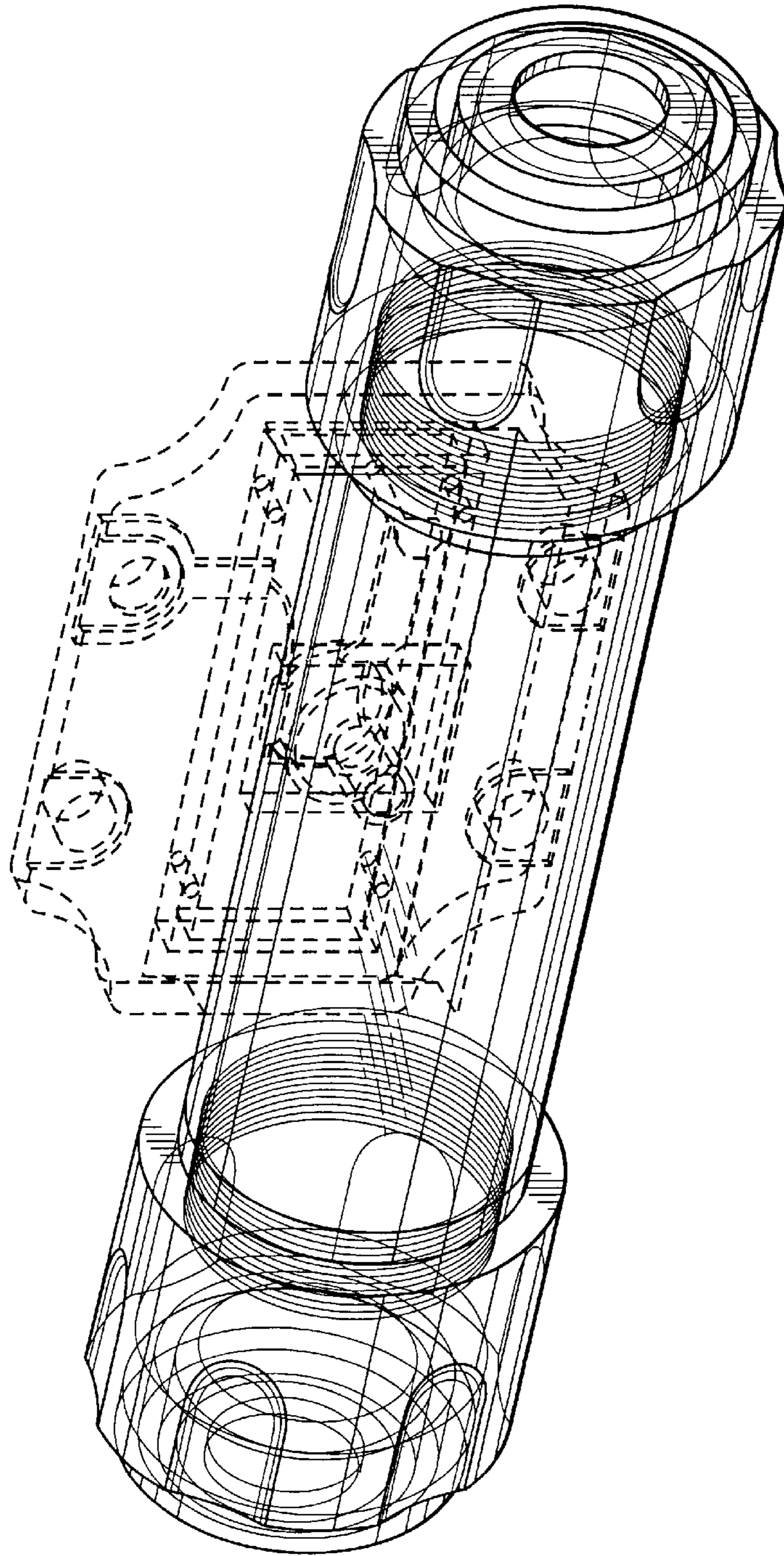


FIG. 1

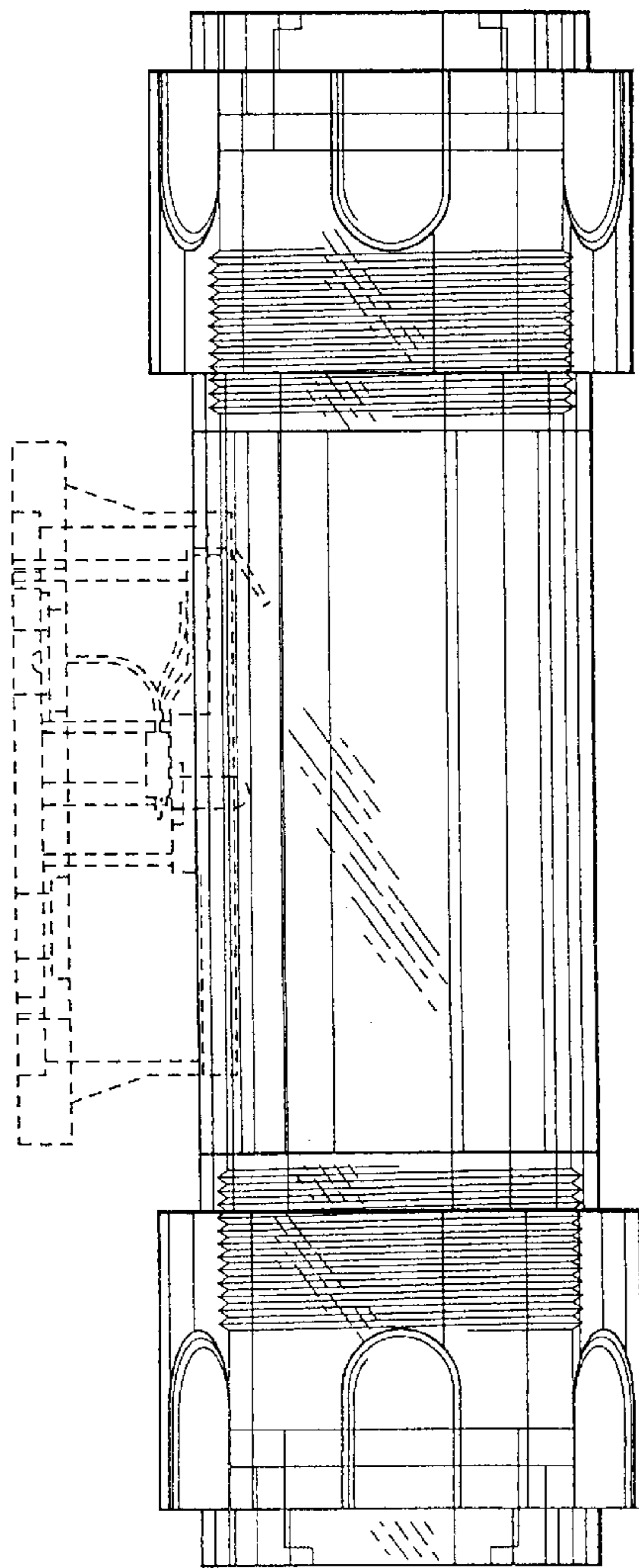


FIG. 4

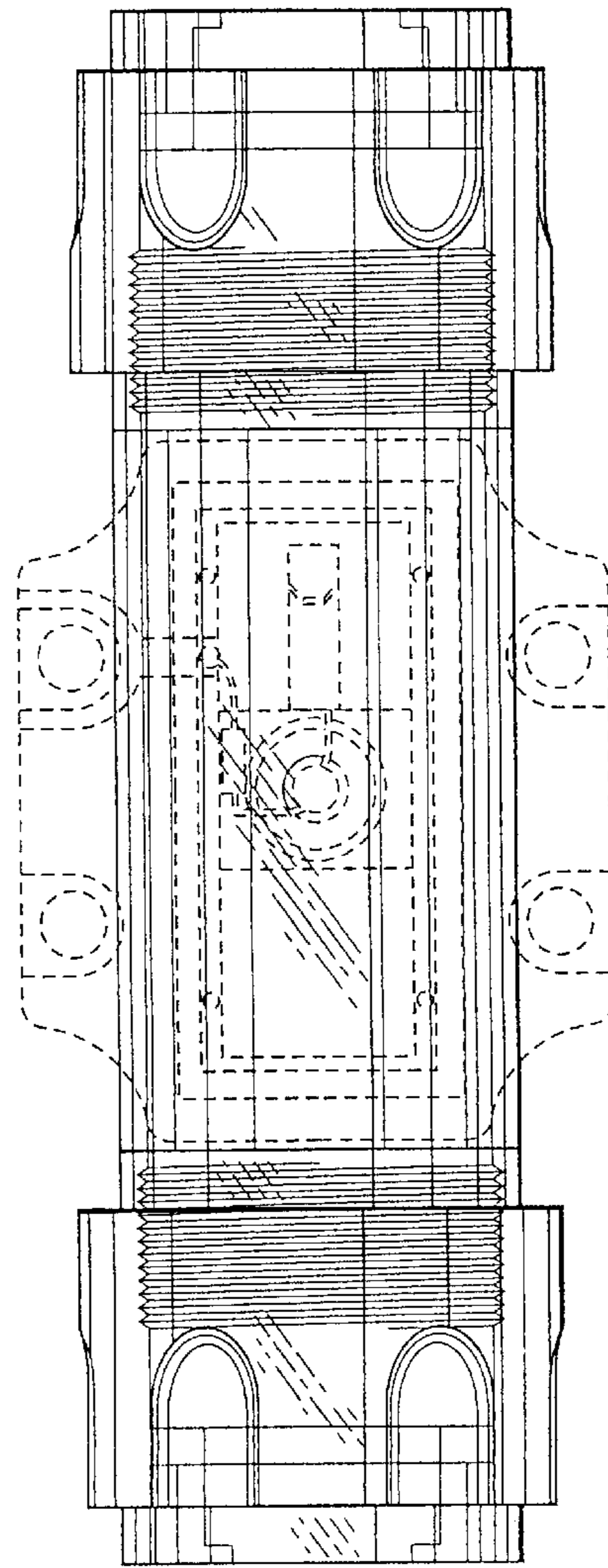


FIG. 2

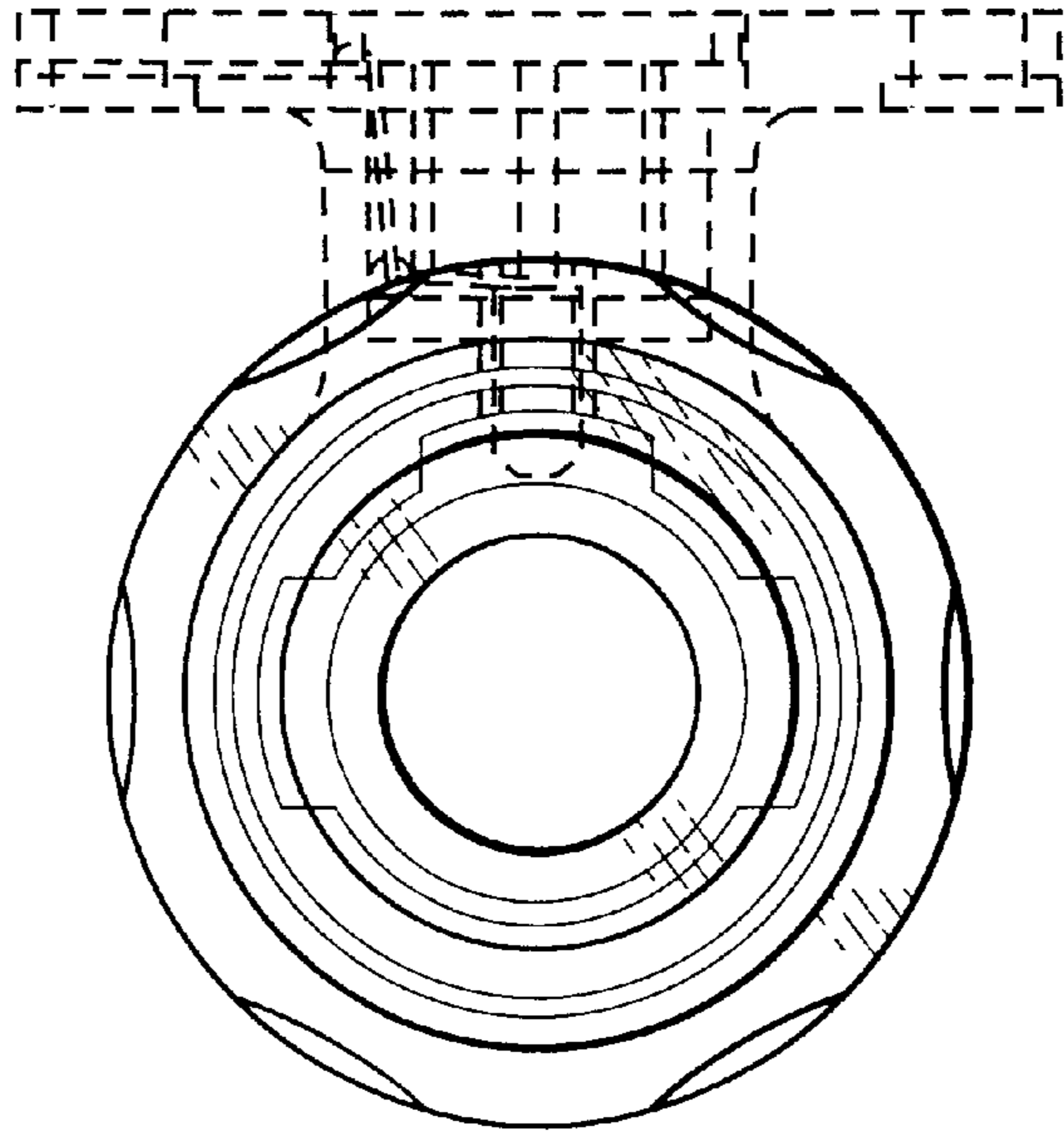


FIG. 5

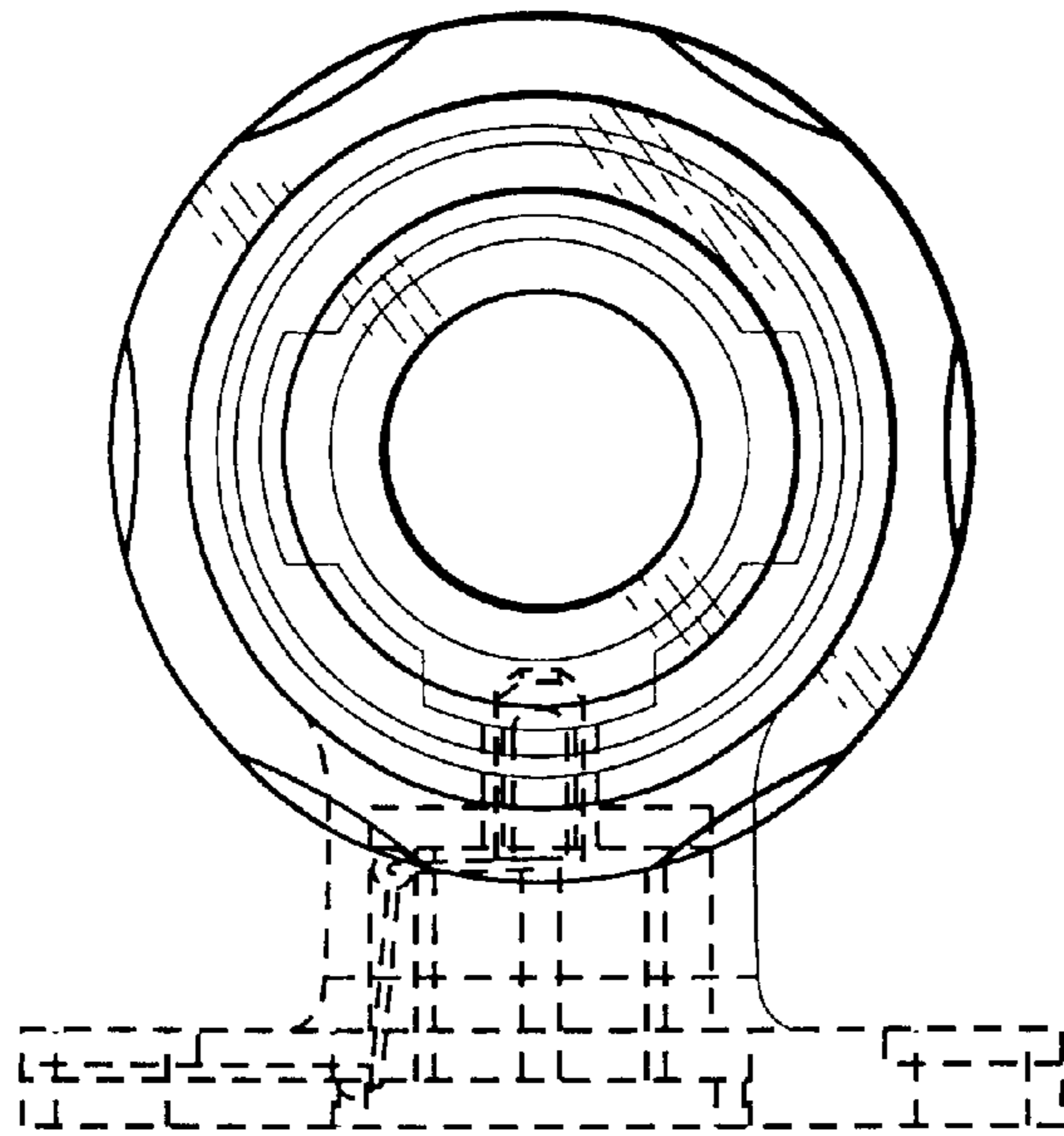


FIG. 3

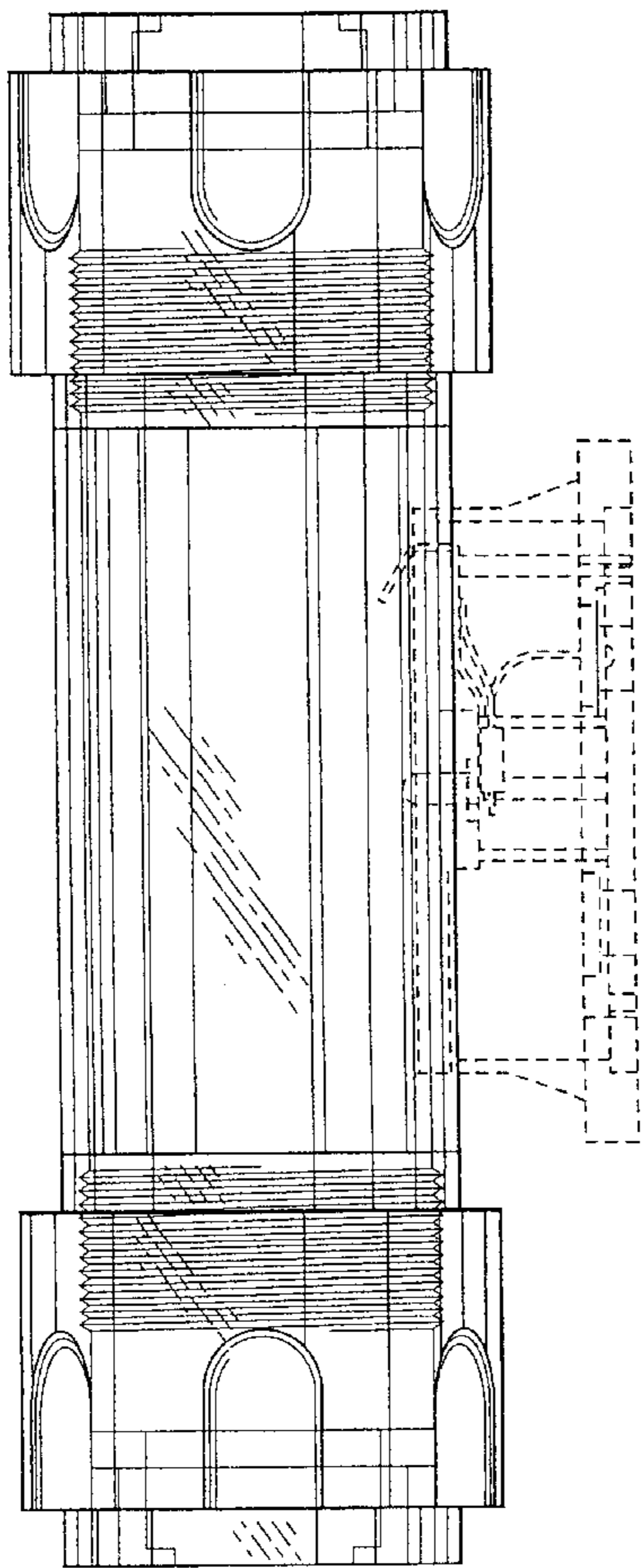


FIG. 6

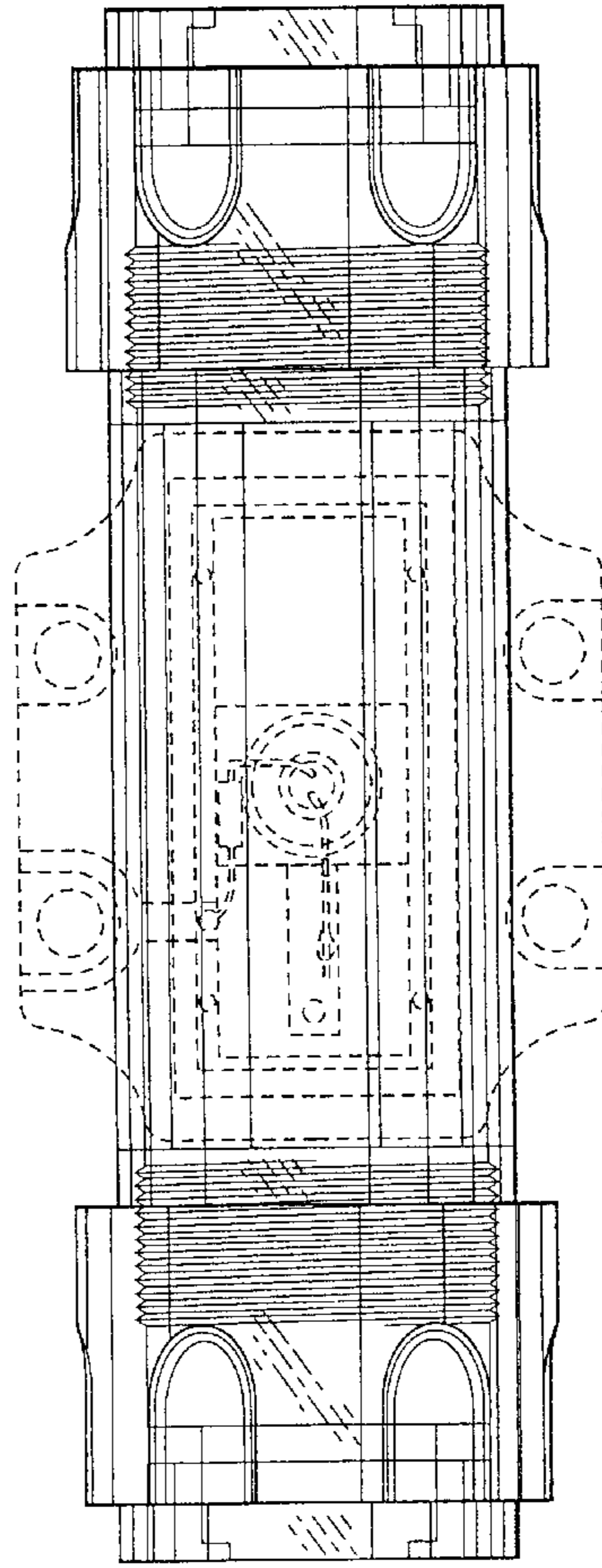


FIG. 7

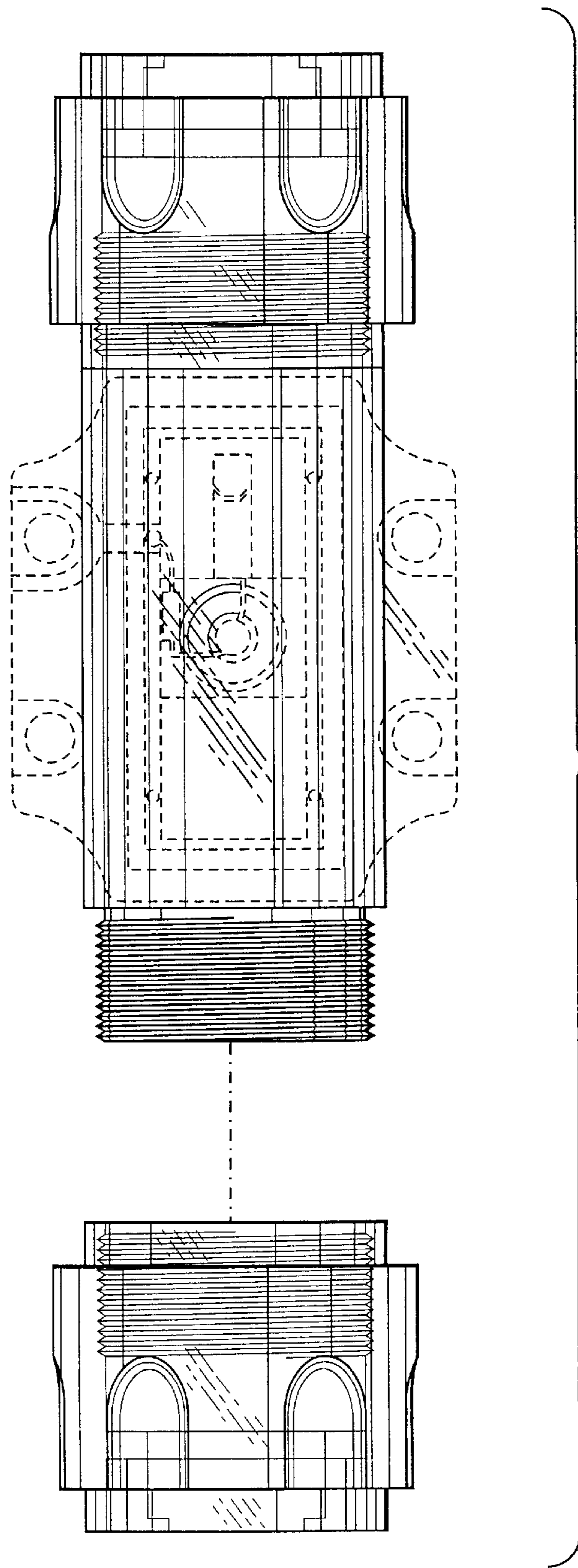


FIG. 8