



US00D518795S

(12) **United States Design Patent**
Sorenson

(10) **Patent No.:** **US D518,795 S**

(45) **Date of Patent:** **** Apr. 11, 2006**

(54) **ELECTRICAL ROCKER SWITCH ASSEMBLY**

(75) Inventor: **Richard Sorenson**, Stuart, FL (US)

(73) Assignee: **Carling Technologies, Inc.**, Plainville, CT (US)

(**) Term: **14 Years**

(21) Appl. No.: **29/215,641**

(22) Filed: **Oct. 21, 2004**

(51) **LOC (8) Cl.** **13-03**

(52) **U.S. Cl.** **D13/174; D13/169**

(58) **Field of Classification Search** D13/169,
D13/171, 170, 174; 174/57, 66; 200/6 R,
200/437, 457, 525, 553, 218, 277.2, 296,
200/297, 295, 302.3, 303, 310, 315, 329,
200/330, 331, 332.1, 333, 335; 307/141,
307/157

See application file for complete search history.

(56) **References Cited**

U.S. PATENT DOCUMENTS

D328,454 S * 8/1992 Sorenson et al. D13/174

D341,568 S * 11/1993 Sorenson et al. D13/174
D403,306 S * 12/1998 LeClair et al. D13/169
D454,120 S * 3/2002 Sadowski et al. D13/174
D458,231 S * 6/2002 Errato D13/169

* cited by examiner

Primary Examiner—Stella Reid

Assistant Examiner—Selina Sikder

(74) *Attorney, Agent, or Firm*—McCormick, Paulding & Huber LLP

(57) **CLAIM**

I claim the ornamental design for an electrical rocker switch assembly, as shown and described.

DESCRIPTION

FIG. 1 is a top perspective view of an electrical rocker switch assembly showing my new design;

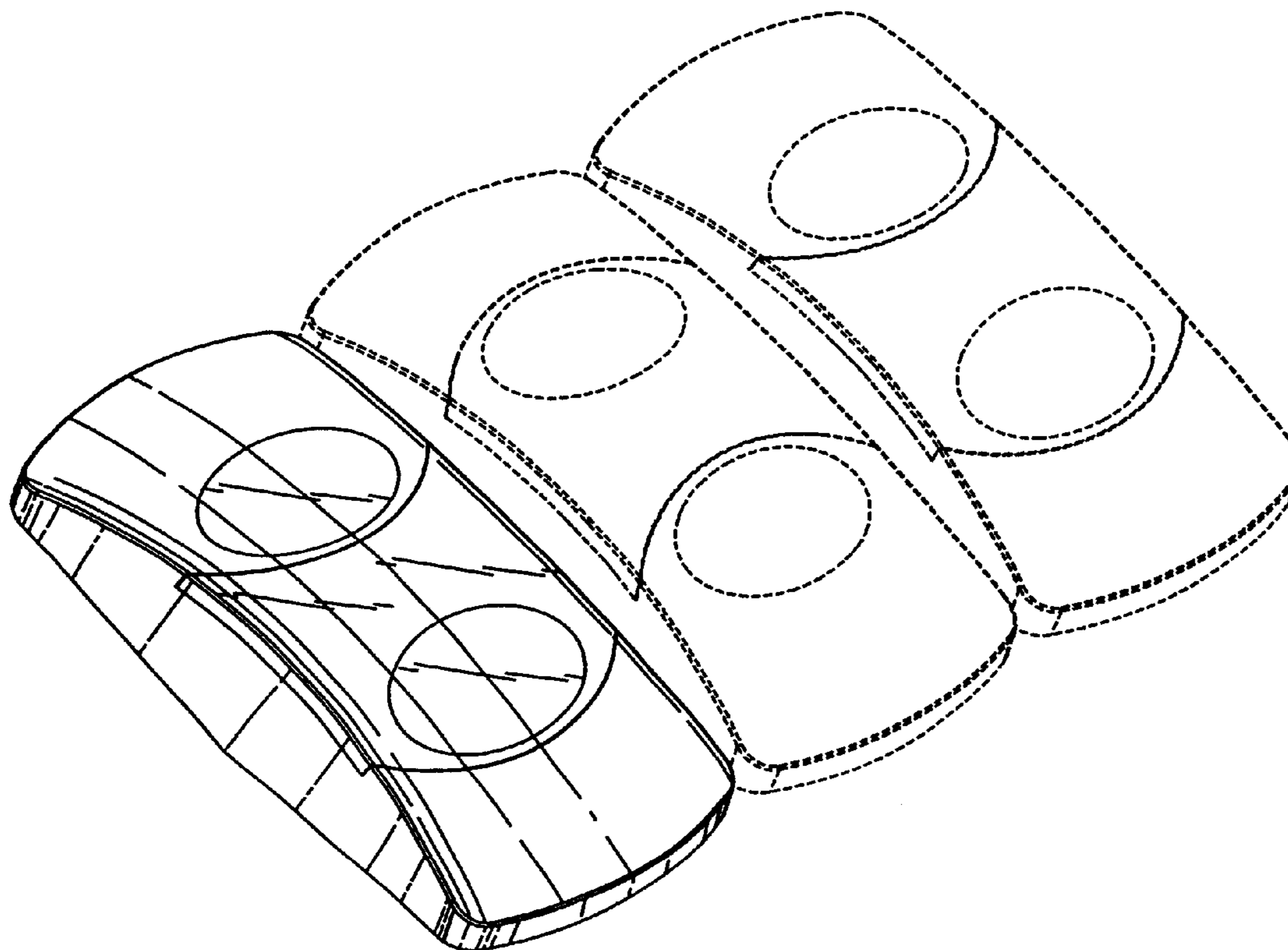
FIG. 2 is a front elevational view with the rear being a mirror image thereof;

FIG. 3 is a left hand side view thereof; and,

FIG. 4 is a right hand side view thereof.

The broken line showing of the environment is for illustrative purpose only and forms no part of the claimed design.

1 Claim, 1 Drawing Sheet



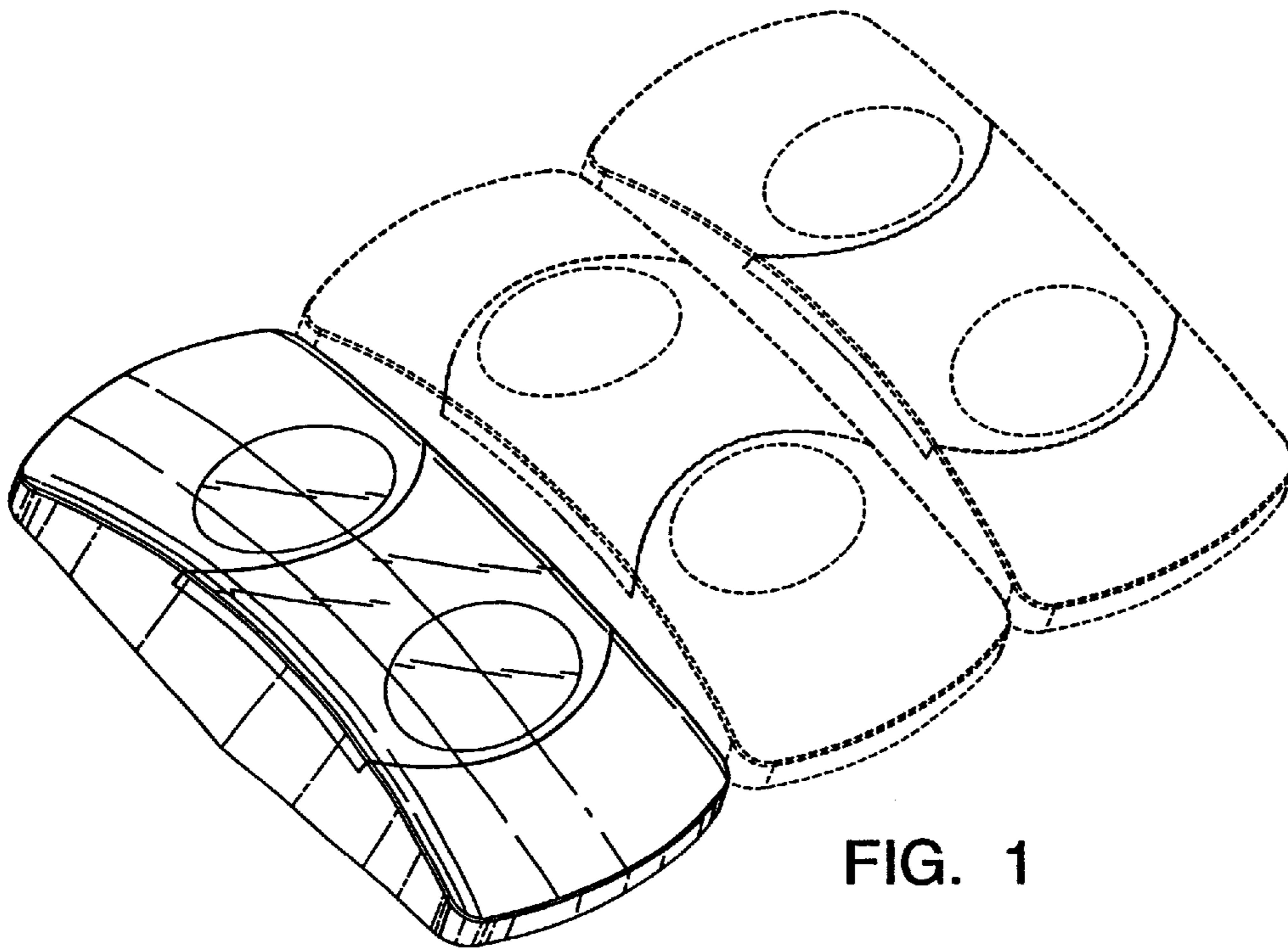


FIG. 1

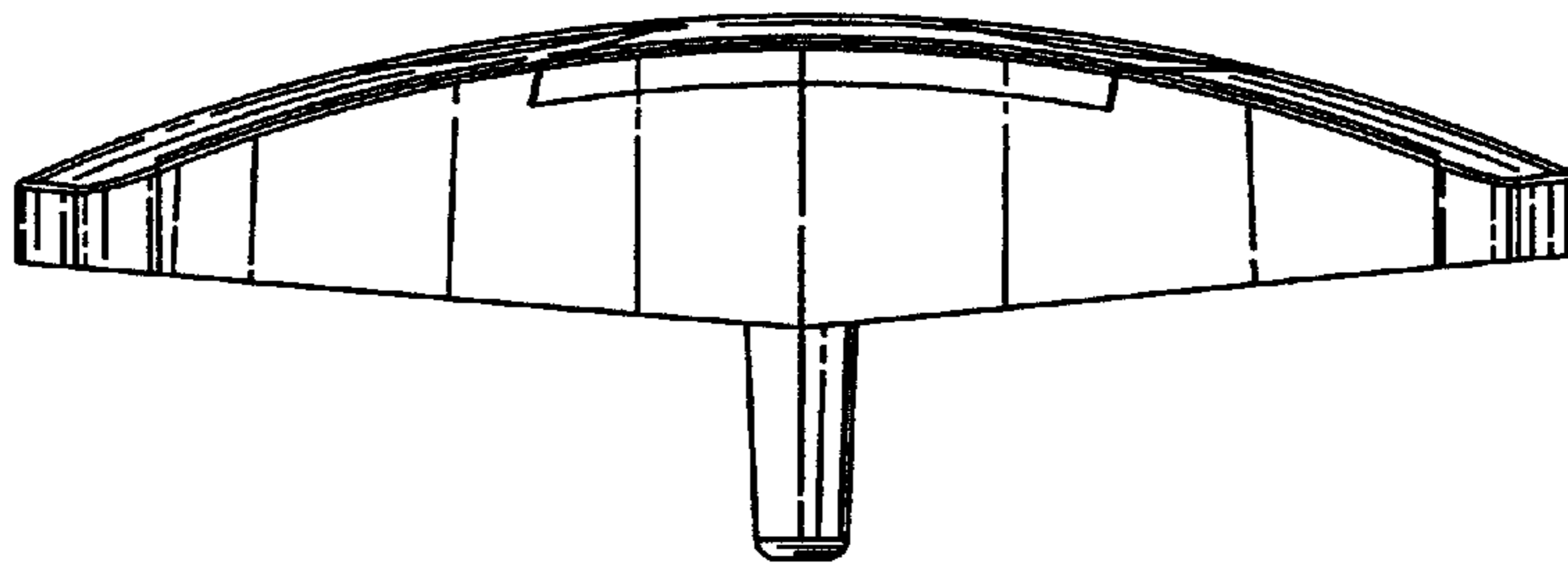


FIG. 2

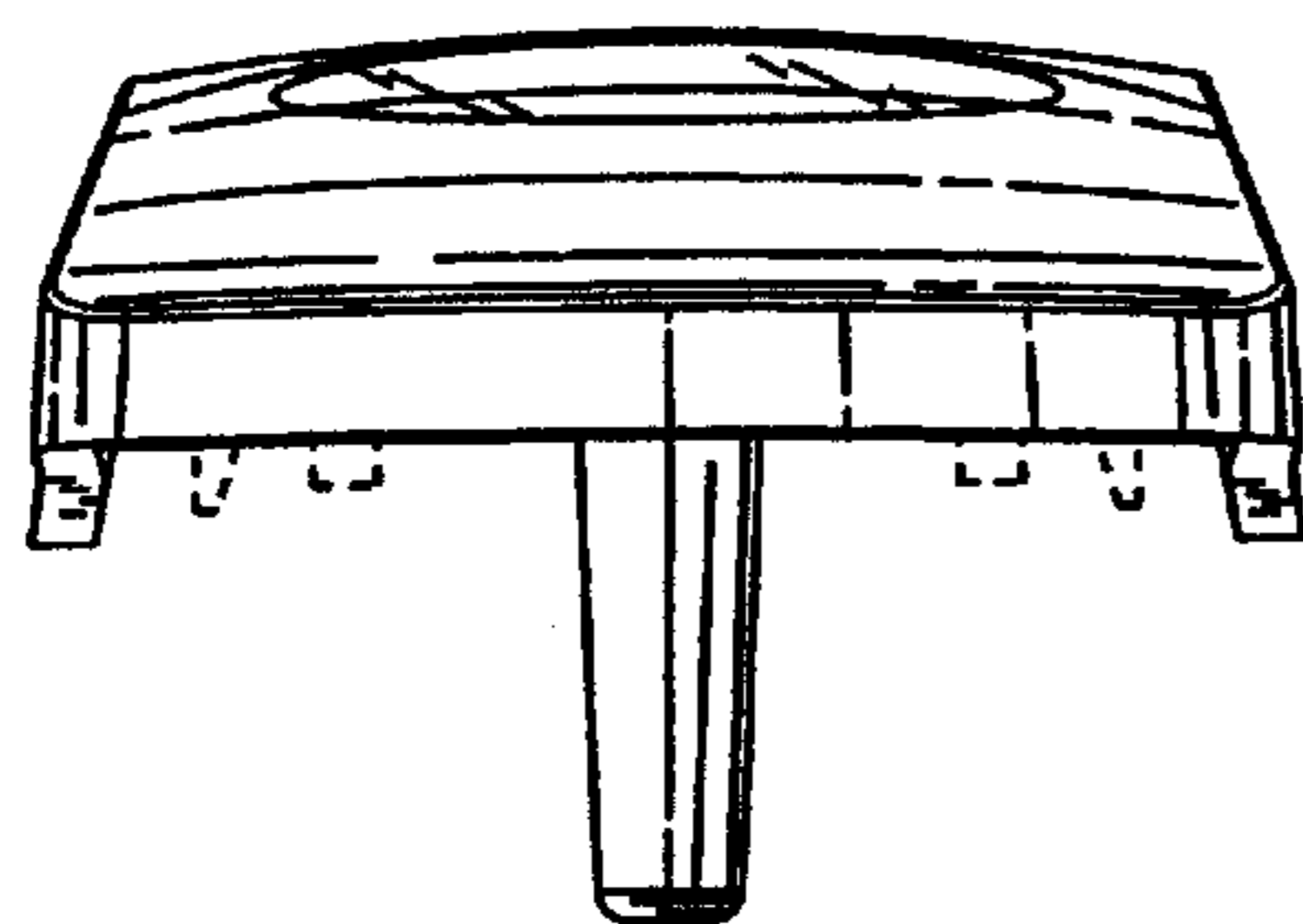


FIG. 3

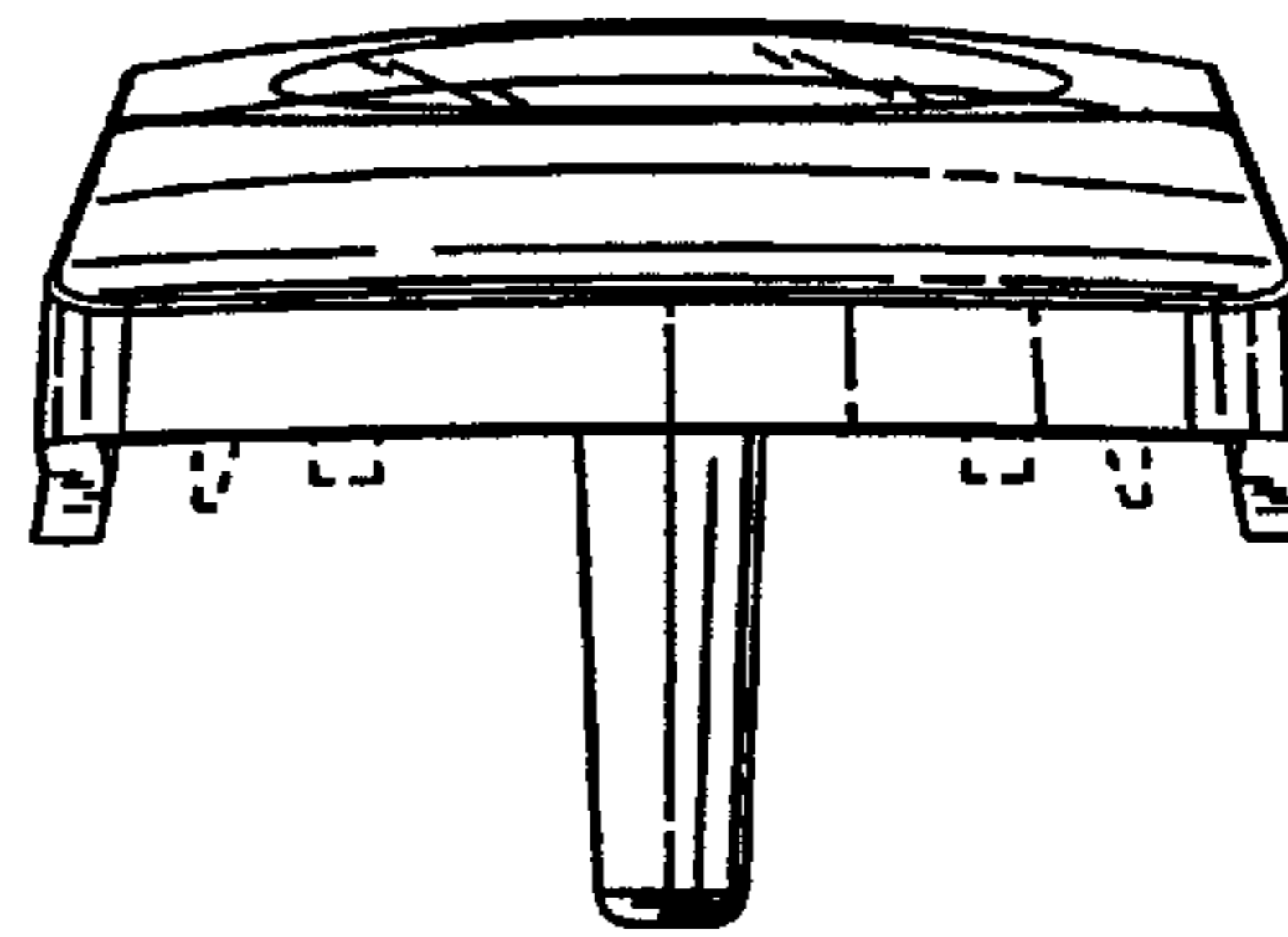


FIG. 4