

US00D518793S

(12) **United States Design Patent**
Hedderich et al.

(10) **Patent No.: US D518,793 S**

(45) **Date of Patent: ** *Apr. 11, 2006**

(54) **DECORA-SIZED WALL-MOUNTED DIMMER**

(75) Inventors: **Richard C. Hedderich**, Sandy, UT
(US); **Roger T. Johnsen**, Salt Lake
City, UT (US)

(73) Assignee: **Control4 Corporation**, Draper, UT
(US)

(*) Notice: This patent is subject to a terminal dis-
claimer.

(**) Term: **14 Years**

(21) Appl. No.: **29/212,784**

(22) Filed: **Sep. 7, 2004**

(51) **LOC (8) Cl.** **13-03**

(52) **U.S. Cl.** **D13/162**

(58) **Field of Classification Search** D13/162,
D13/164; 174/53, 56; 200/5 A, 5 R, 295,
200/308, 310, 313, 315, 329, 340
See application file for complete search history.

(56) **References Cited**

U.S. PATENT DOCUMENTS

D249,141 S * 8/1978 Mayo D13/125
D262,261 S * 12/1981 Schumacher et al. D13/164
4,757,168 A * 7/1988 Fujiyoshi et al. 200/296
D315,145 S * 3/1991 Pearlman et al. D13/169

5,036,168 A * 7/1991 Kikuchi et al. 200/5 R
D331,741 S * 12/1992 Fujiyoshi D13/169
5,445,539 A * 8/1995 Dale 439/535
D394,042 S * 5/1998 Hwang D13/171
D450,043 S * 11/2001 Mosebrook D13/171

* cited by examiner

Primary Examiner—Stella Reid

Assistant Examiner—Selina Sikder

(74) *Attorney, Agent, or Firm*—Thorpe North & Western
LLP

(57) **CLAIM**

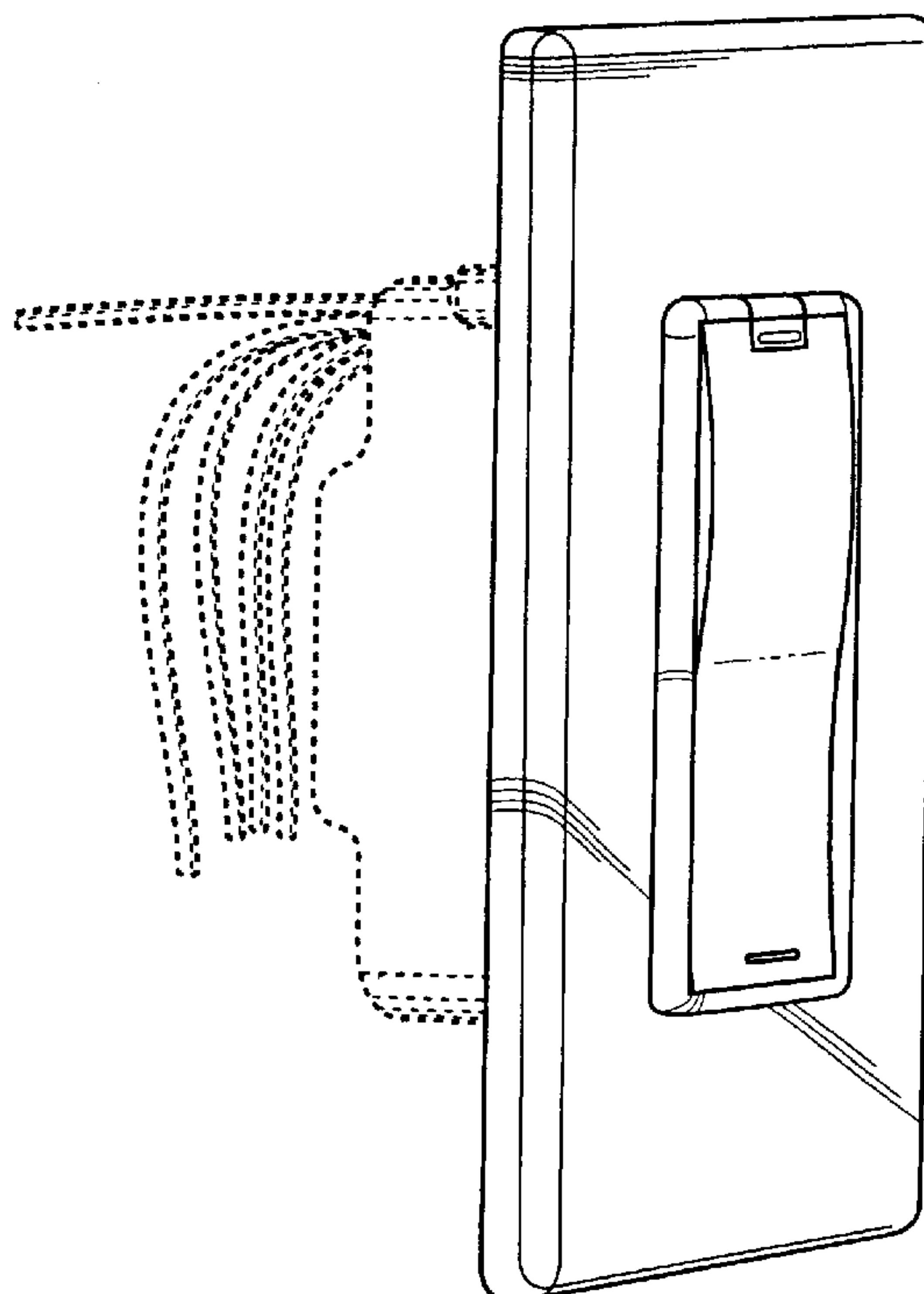
The ornamental design for a decora-sized wall-mounted
dimmer, as shown and described.

DESCRIPTION

FIG. 1 is an elevated, perspective view of the decora-sized
wall-mounted dimmer in accordance with our invention;
FIG. 2 is a front view thereof
FIG. 3 is a side view thereof;
FIG. 4 is an opposing side view;
FIG. 5 is a top view thereof; and,
FIG. 6 is an opposing mirror image of the top view of our
invention as shown in FIG. 1.

The broken lines in FIGS. 1 through 6 are included for the
purpose of illustrating a portion of the keypad that forms no
part of the claimed design.

1 Claim, 6 Drawing Sheets



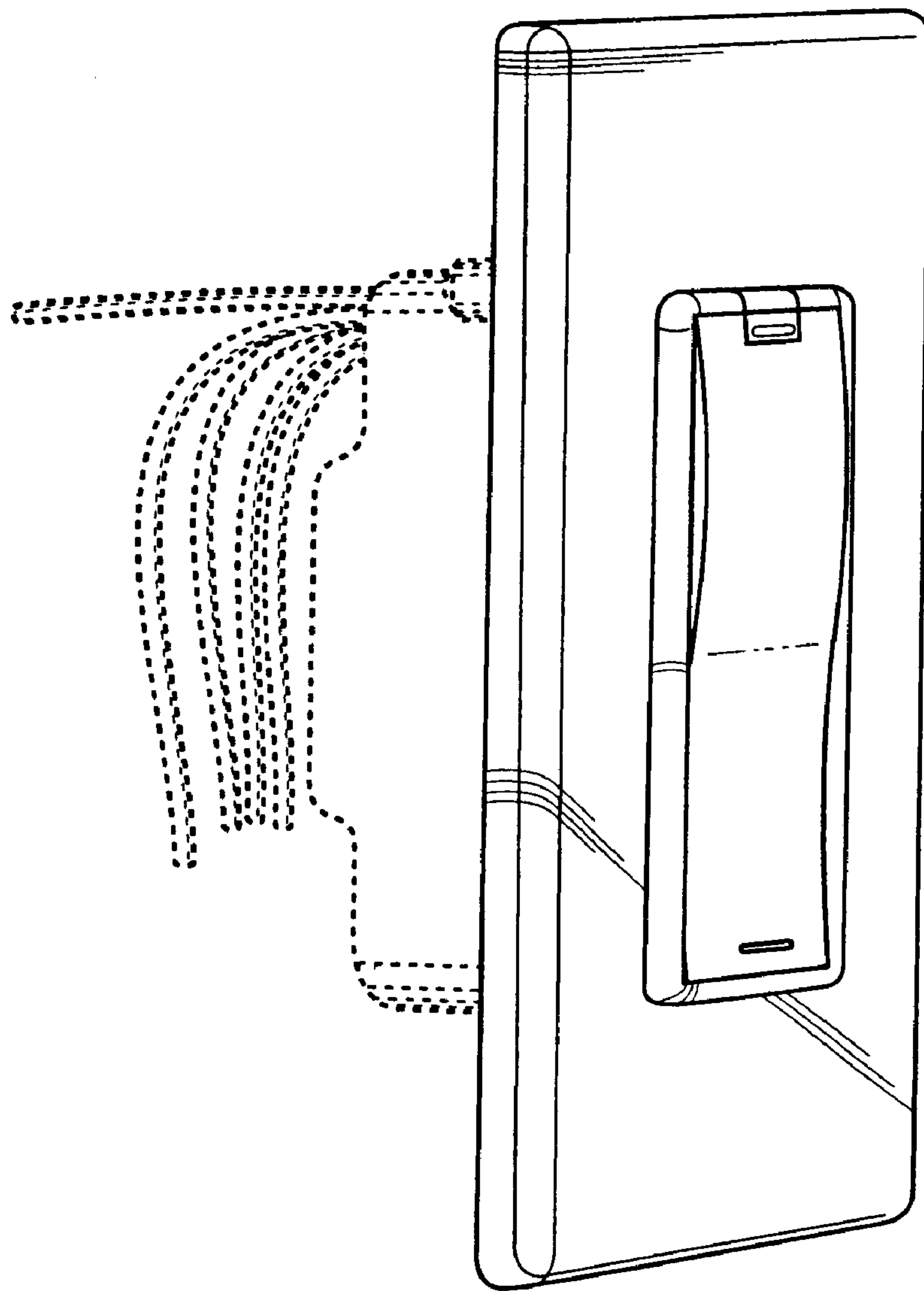


Fig. 1

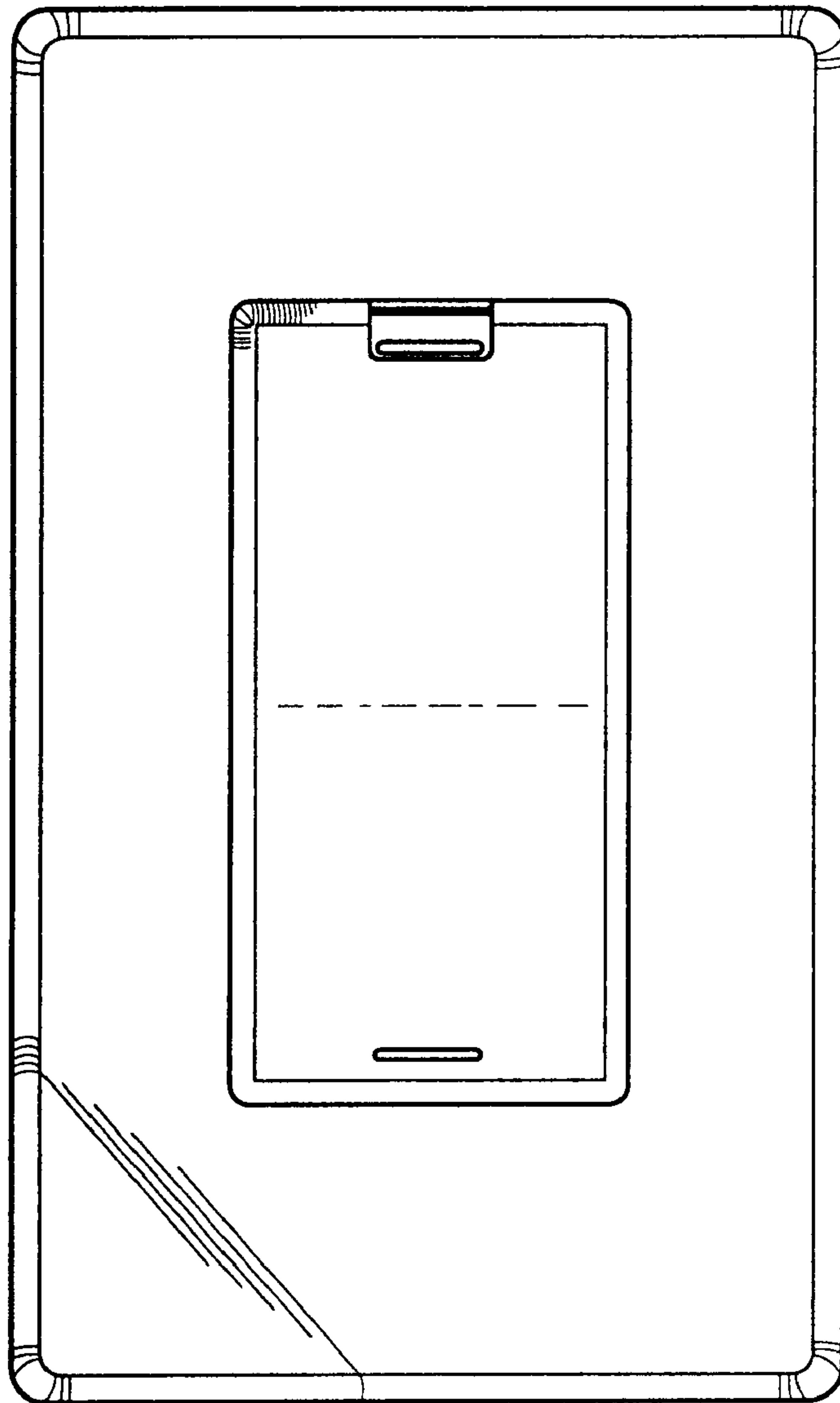


Fig. 2

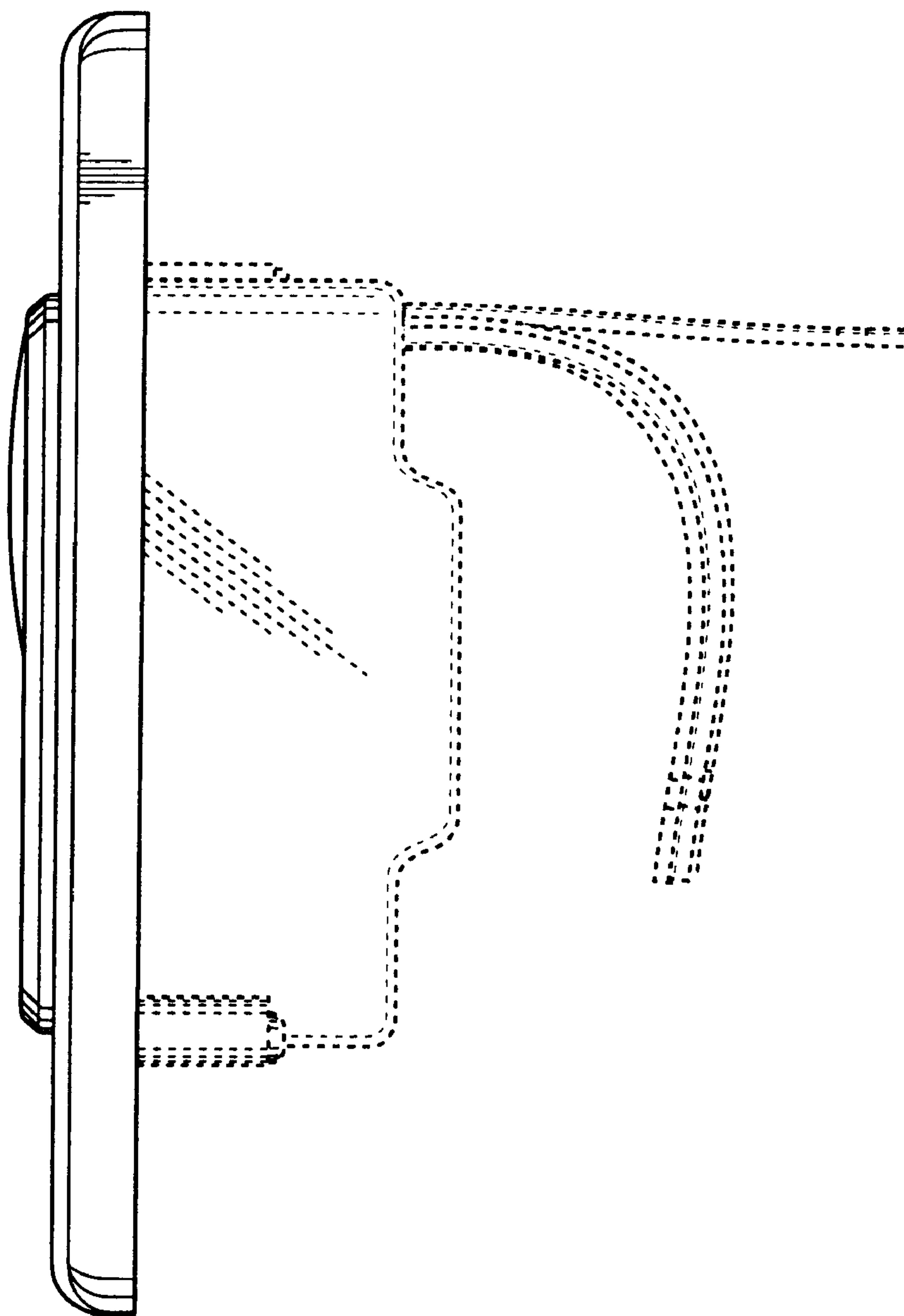


Fig. 3

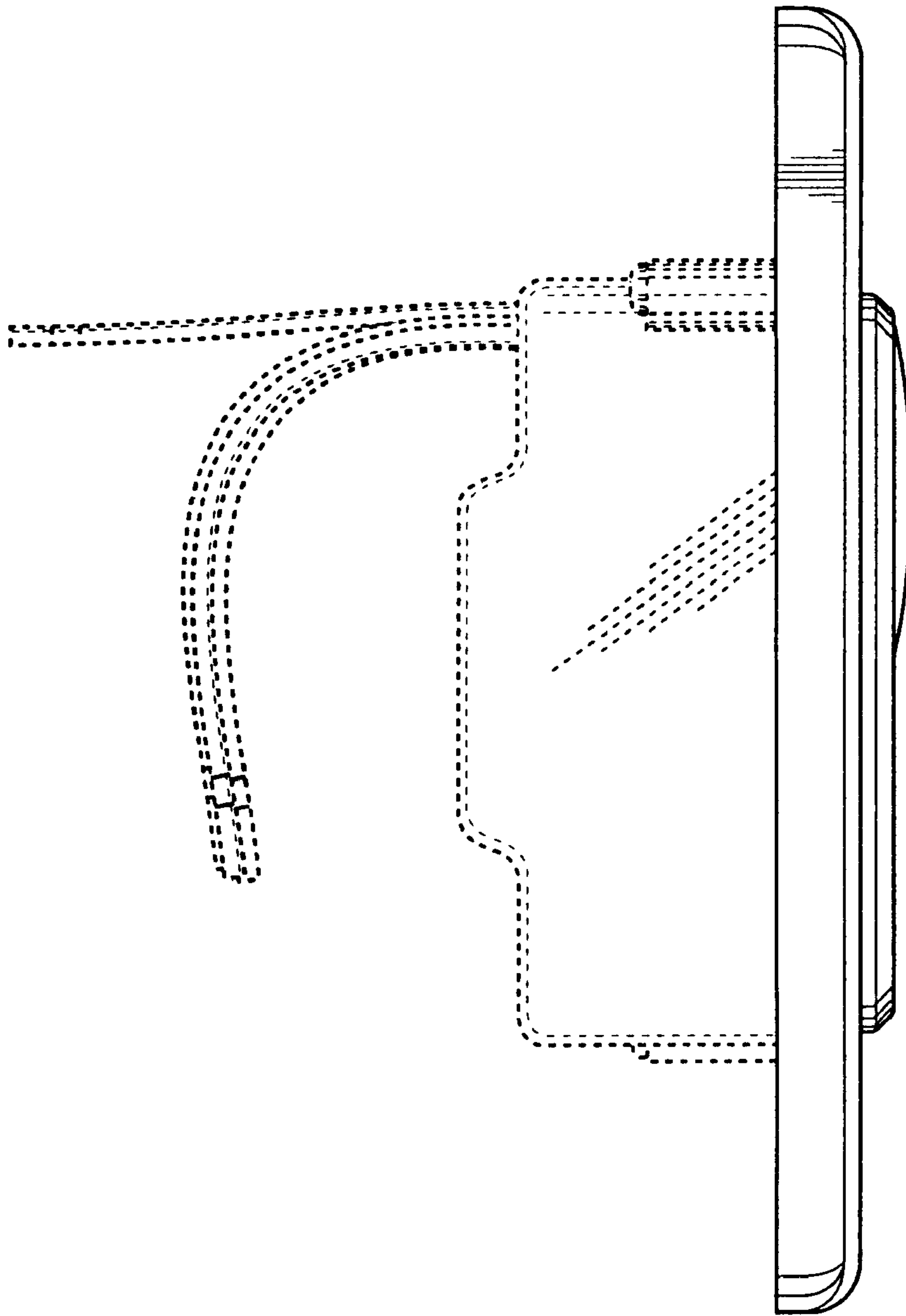


Fig. 4

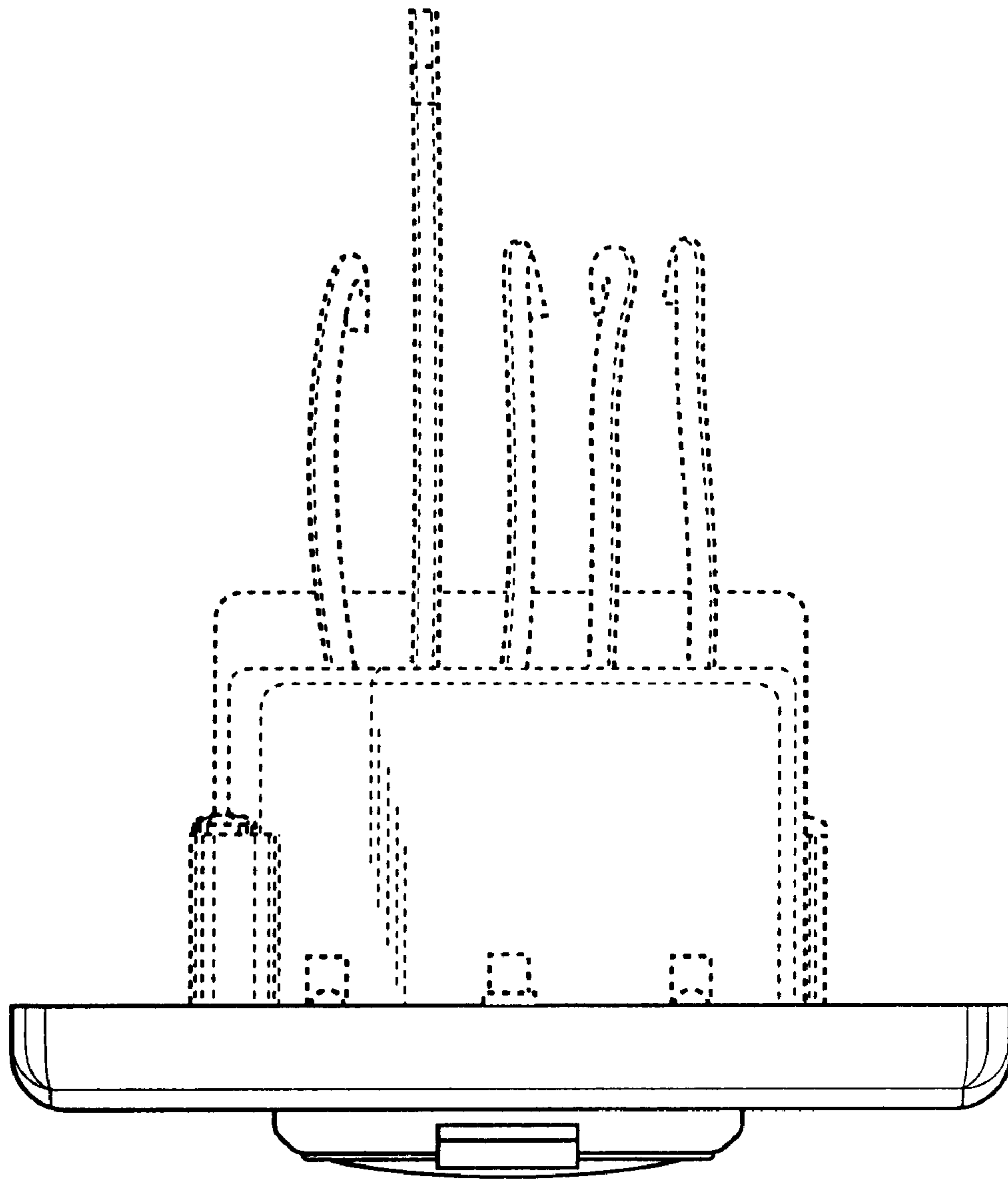


Fig. 5

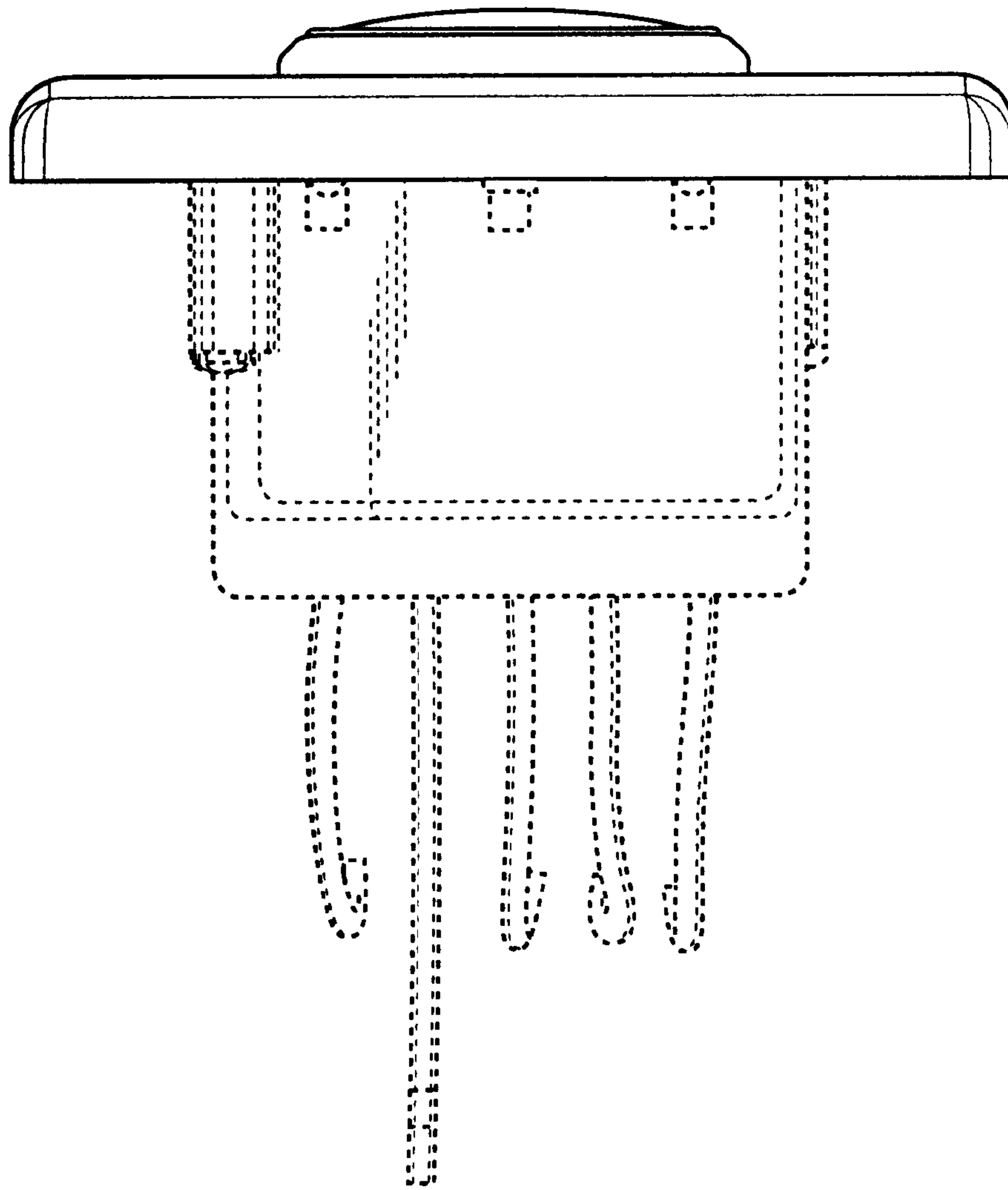


Fig. 6