



US00D518792S

(12) **United States Design Patent**
Ohta

(10) **Patent No.:** **US D518,792 S**

(45) **Date of Patent:** **** Apr. 11, 2006**

(54) **FUSE**

(75) **Inventor:** **Manabu Ohta, Ogaki (JP)**

(73) **Assignee:** **Pacific Engineering Corp., Gifu-Ken (JP)**

(**) **Term:** **14 Years**

(21) **Appl. No.:** **29/227,311**

(22) **Filed:** **Apr. 8, 2005**

(51) **LOC (8) Cl.** **13-03**

(52) **U.S. Cl.** **D13/161**

(58) **Field of Classification Search** D13/160,
D13/161, 178; 337/181, 186, 196, 199, 205,
337/213; 361/600, 626, 642, 646, 833, 834,
361/809, 835; 439/76.12, 621, 622, 698,
439/830, 831, 832

See application file for complete search history.

(56) **References Cited**

U.S. PATENT DOCUMENTS

| | | | | | |
|-----------|----|----------|------------------|-------|---------|
| 5,293,147 | A | 3/1994 | Oh et al. | | 337/227 |
| 5,346,411 | A | * 9/1994 | Nikkinen | | 439/621 |
| 5,854,583 | A | 12/1998 | Falchetti | | 337/290 |
| D419,532 | S | 1/2000 | Hibayashi | | D13/161 |
| 6,067,004 | A | 5/2000 | Hibayashi et al. | | 337/227 |
| 6,275,135 | B1 | 8/2001 | Hibayaski et al. | | 337/227 |

| | | | | | |
|-----------|----|----------|---------------|-------|---------|
| D454,842 | S | * 3/2002 | Ohashi et al. | | D13/161 |
| 6,448,882 | B1 | 9/2002 | Inaba et al. | | 337/227 |
| D475,685 | S | * 6/2003 | Cheng et al. | | D13/161 |

FOREIGN PATENT DOCUMENTS

| | | |
|----|---------|--------|
| JP | 1212591 | 6/2004 |
| JP | 1212592 | 6/2004 |
| JP | 1212844 | 6/2004 |
| JP | 1212846 | 6/2004 |

* cited by examiner

Primary Examiner—Stella Reid

Assistant Examiner—Selina Sikder

(74) *Attorney, Agent, or Firm*—Synnestvedt & Lechner LLP

(57) **CLAIM**

The ornamental design for a fuse, as shown and described.

DESCRIPTION

FIG. 1 is a perspective view of a fuse showing my new design;

FIG. 2 is a front view thereof; the rear view being a mirror image image of FIG. 2;

FIG. 3 is a top plan view thereof;

FIG. 4 is a bottom plan view thereof; and,

FIG. 5 is a right side view thereof, the left side view being a mirror image image of FIG. 5.

1 Claim, 2 Drawing Sheets

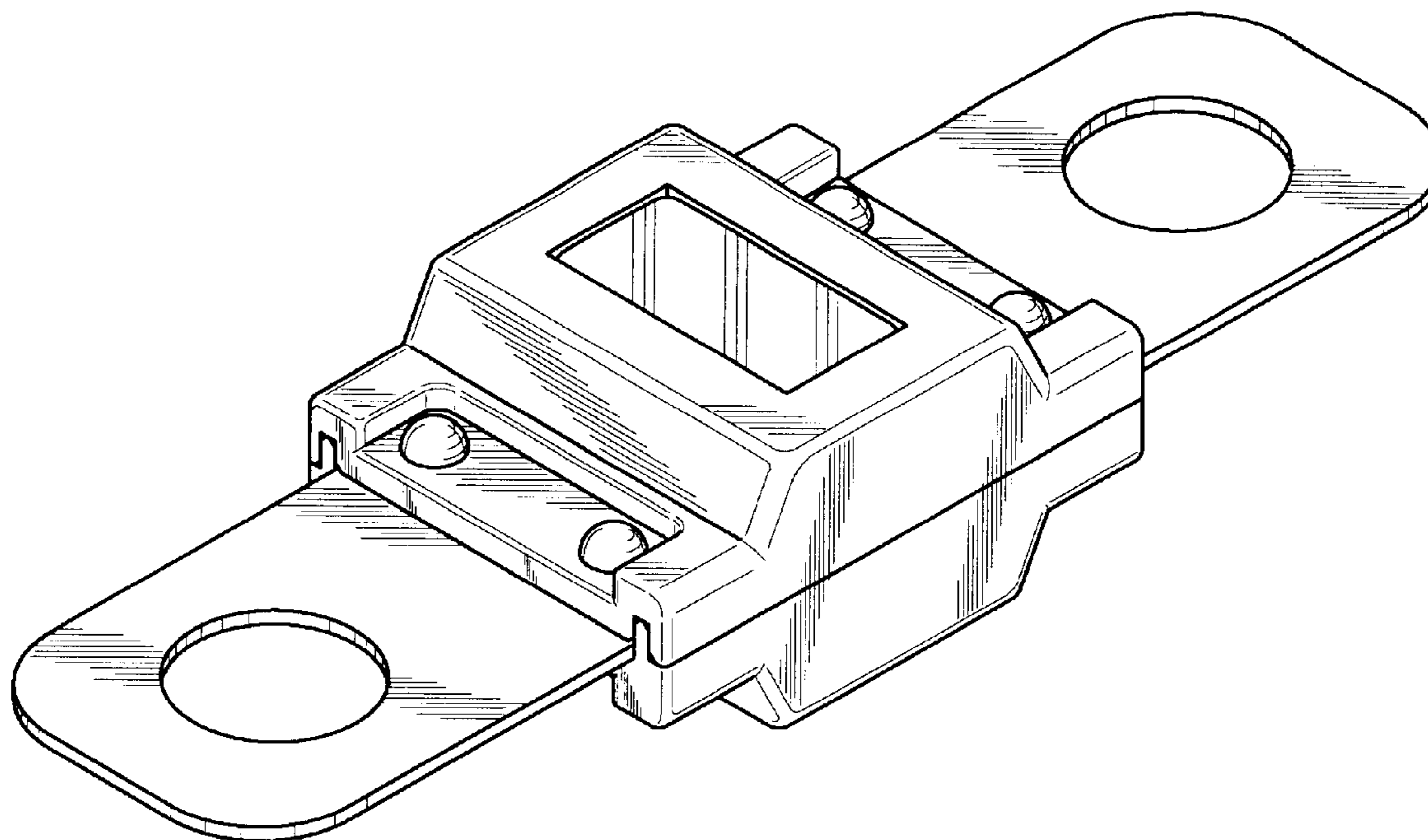


FIG. 1

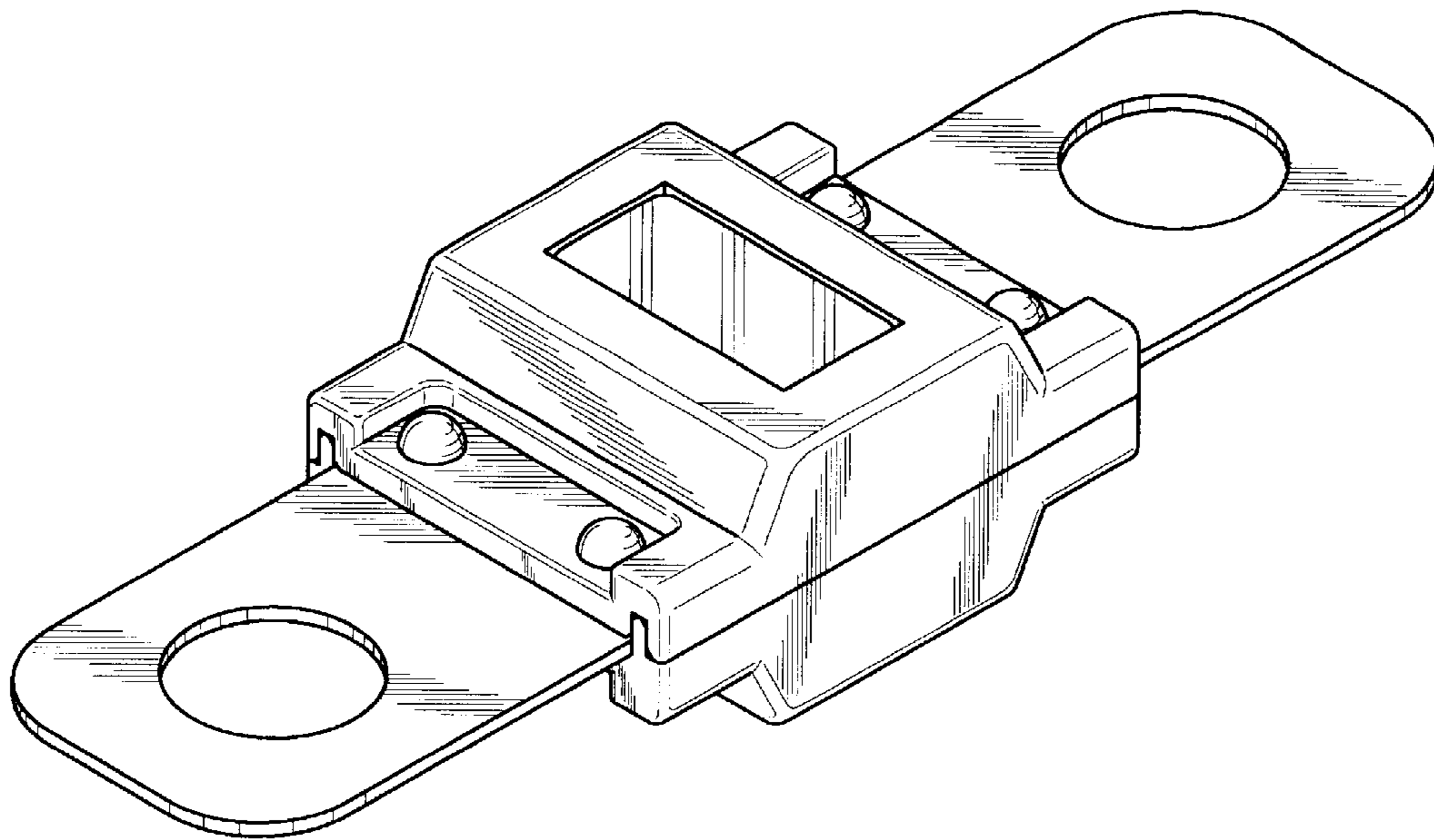


FIG. 2

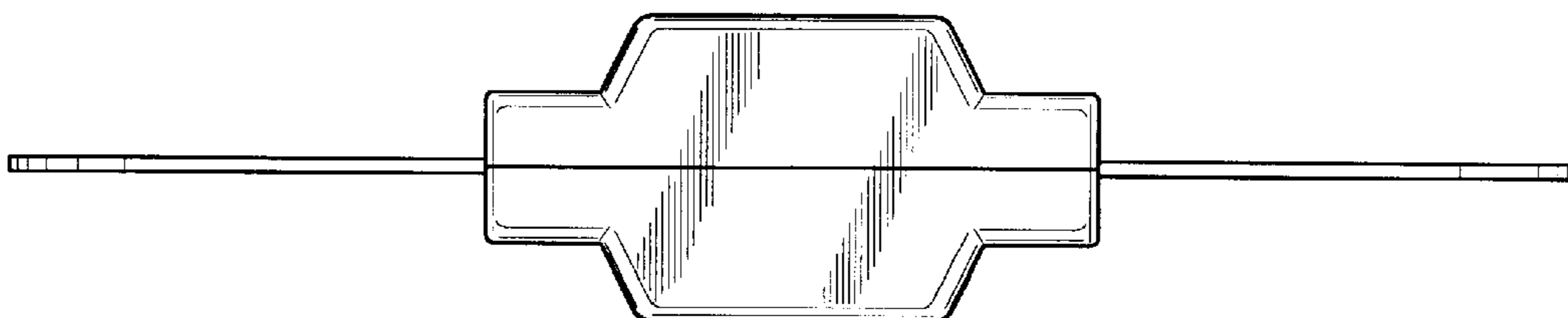


FIG. 3

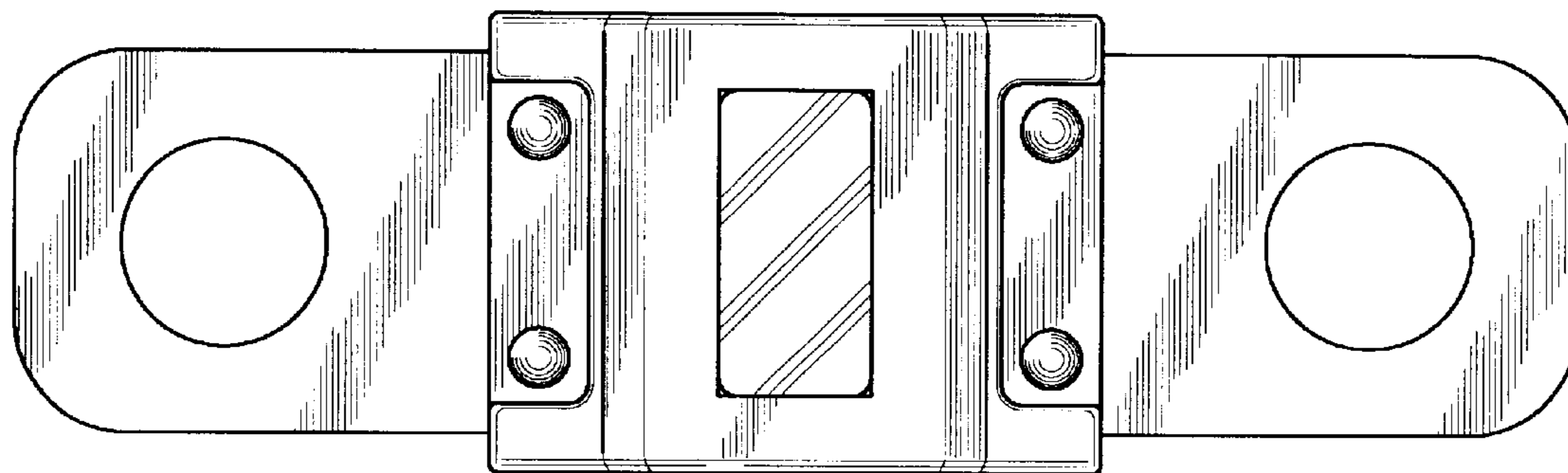


FIG. 4

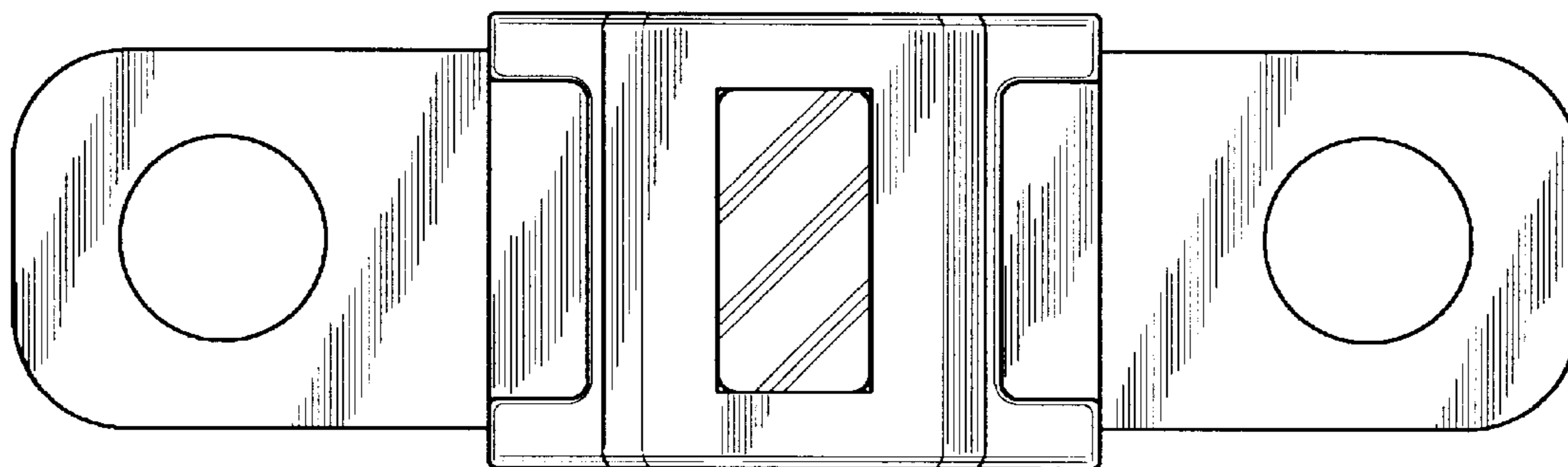


FIG. 5

