



US00D518791S

(12) **United States Design Patent**  
**Kiely**

(10) **Patent No.:** **US D518,791 S**

(45) **Date of Patent:** **\*\* \*Apr. 11, 2006**

(54) **CABLE CONNECTOR**

(75) Inventor: **Kenneth M. Kiely**, Milford, CT (US)

(73) Assignee: **Bridgeport Fittings, Inc.**, Stratford, CT (US)

(\*) Notice: This patent is subject to a terminal disclaimer.

(\*\*) Term: **14 Years**

(21) Appl. No.: **29/183,103**

(22) Filed: **Jun. 4, 2003**

(51) **LOC (8) Cl.** ..... **13-03**

(52) **U.S. Cl.** ..... **D13/153**

(58) **Field of Classification Search** ..... D13/153,  
D13/154, 155, 156; D8/394-396; 403/110,  
403/118, 197, 282, 283; 248/49, 62, 63, 74.1,  
248/56; 174/64, 65, 152, 153; 439/552, 273  
See application file for complete search history.

(56) **References Cited**

**U.S. PATENT DOCUMENTS**

D204,313 S \* 4/1966 Engman et al. .... D8/396

D283,675 S \* 5/1986 Fogel et al. .... D8/396

D438,783 S \* 3/2001 Elliott ..... D8/396

6,352,439 B1 \* 3/2002 Stark et al. .... 439/142

D473,783 S \* 4/2003 Kiely ..... D8/396

D479,984 S \* 9/2003 Kiely ..... D8/396

\* cited by examiner

*Primary Examiner*—Holly Baynham

*Assistant Examiner*—Cynthia M. Chin

(74) *Attorney, Agent, or Firm*—Melvin I. Stoltz

(57) **CLAIM**

The ornamental design for a cable connector, as shown and described.

**DESCRIPTION**

FIG. 1. is a perspective view of the cable connector showing my new design;

FIG. 2 is a front elevational view thereof;

FIG. 3 is a rear elevational view thereof;

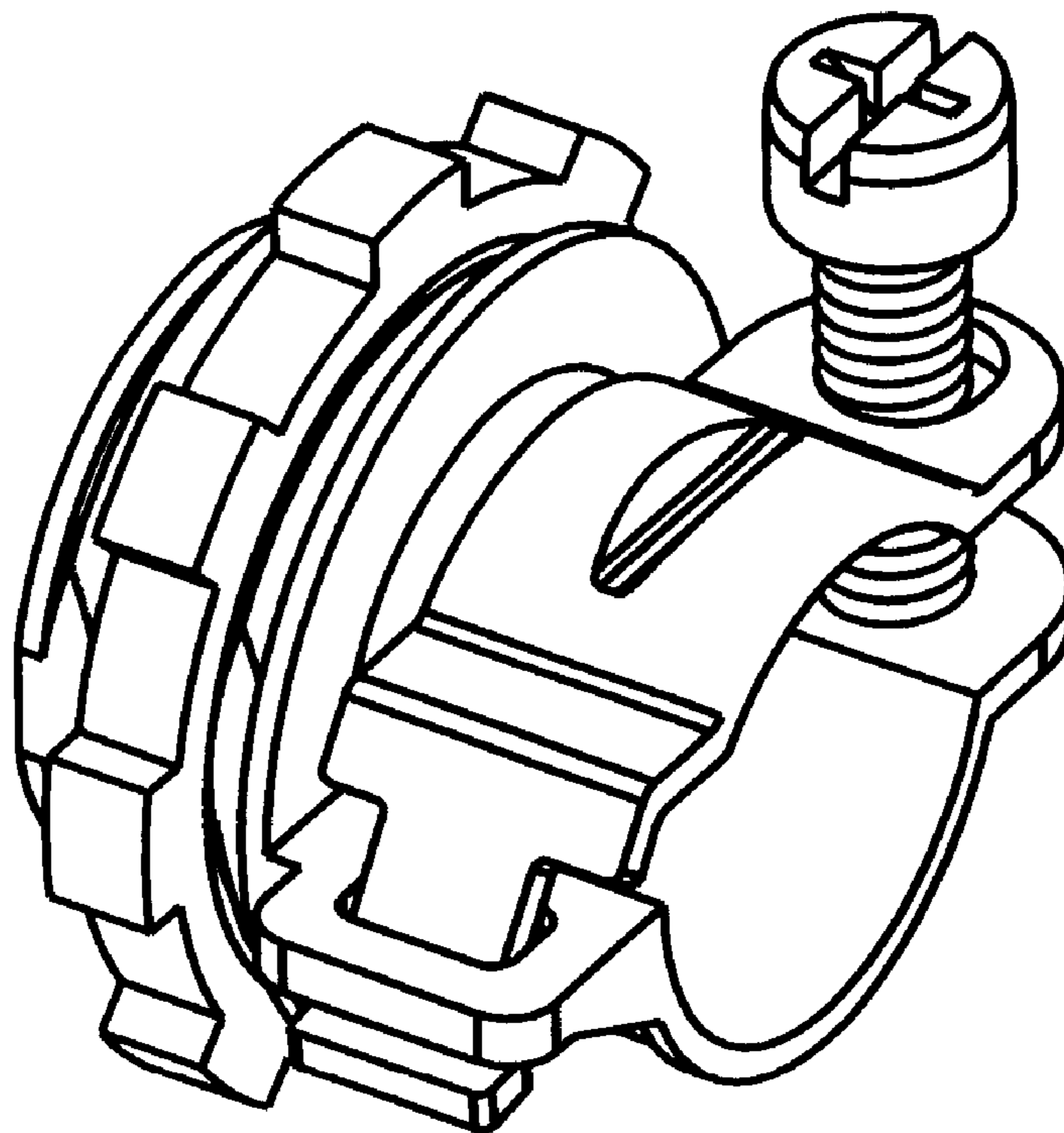
FIG. 4 is a top plan view thereof;

FIG. 5 is a bottom plan view thereof;

FIG. 6 is a side elevational view thereof, looking from the right side of FIG. 2; and,

FIG. 7 is a side elevational view thereof, looking from the left side of FIG. 2.

**1 Claim, 2 Drawing Sheets**



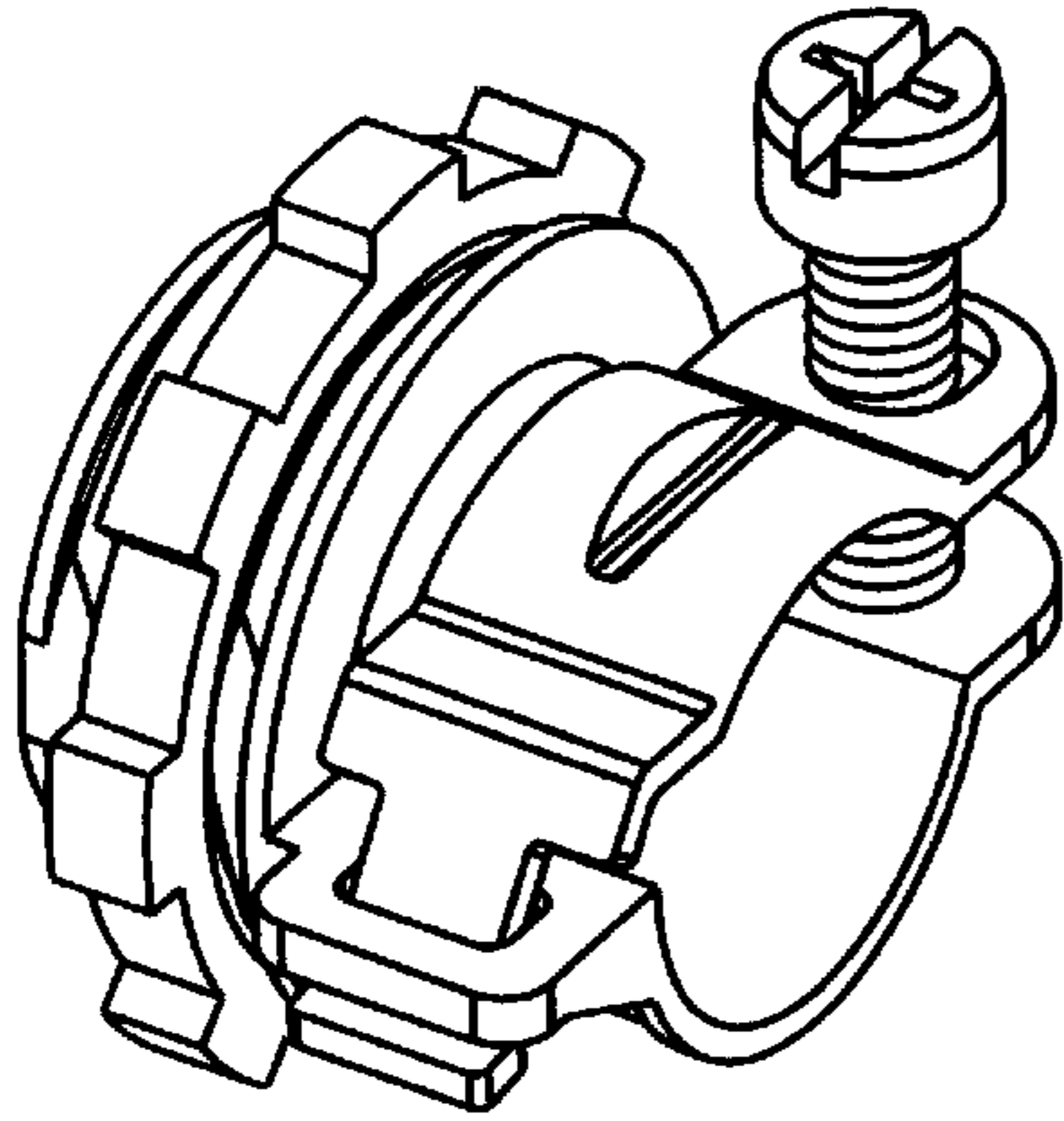


FIG. 1

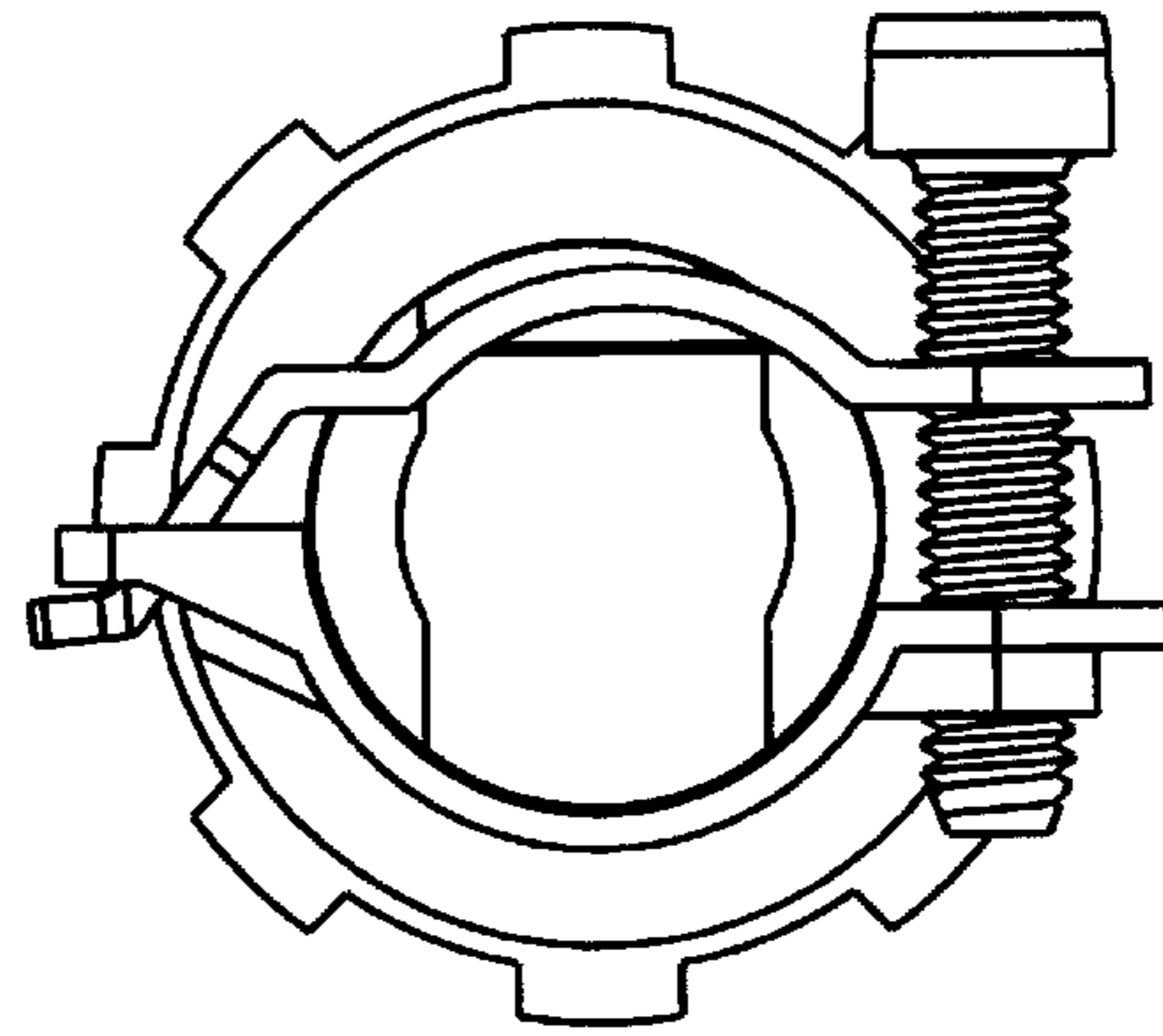


FIG. 2

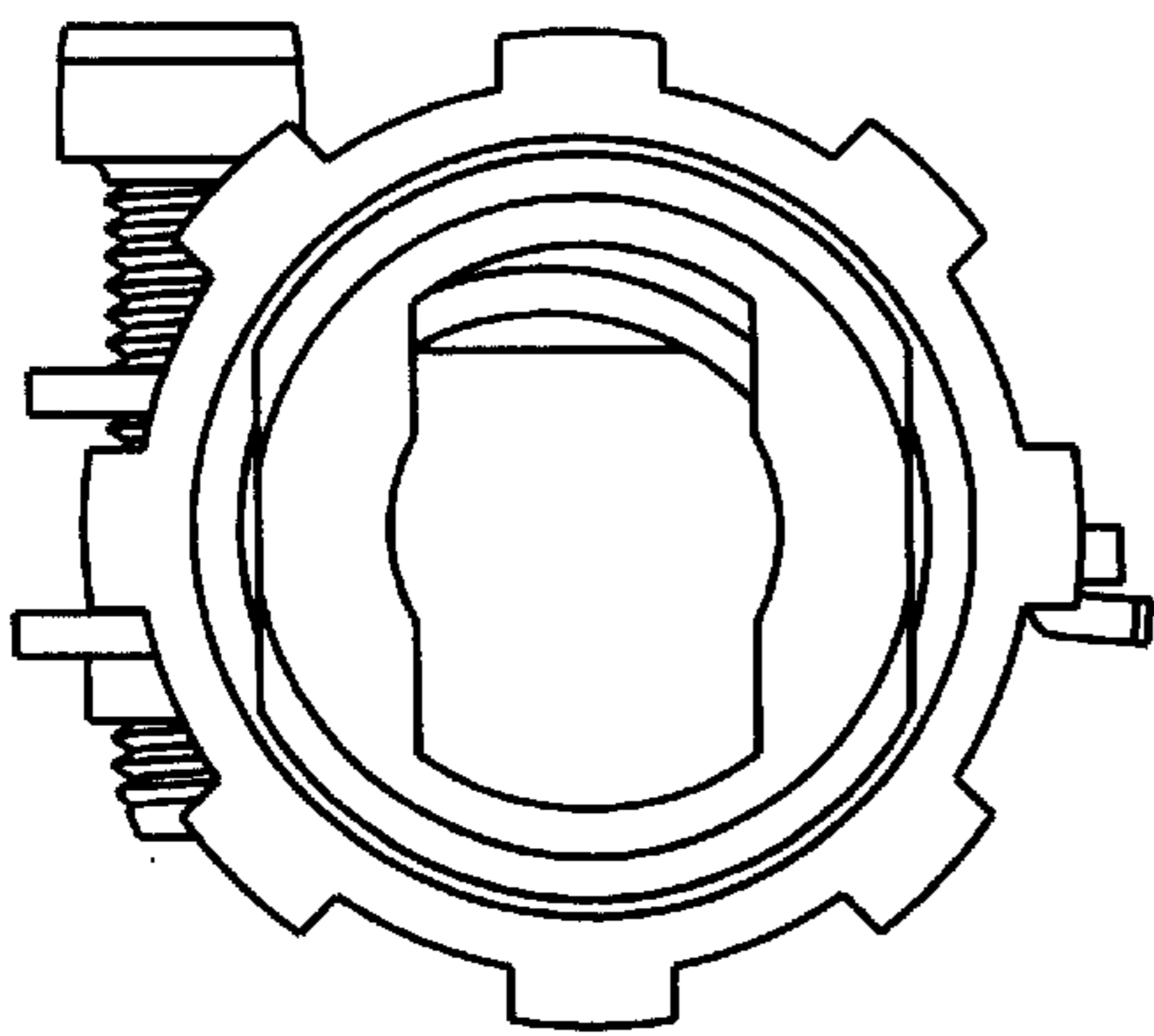


FIG. 3

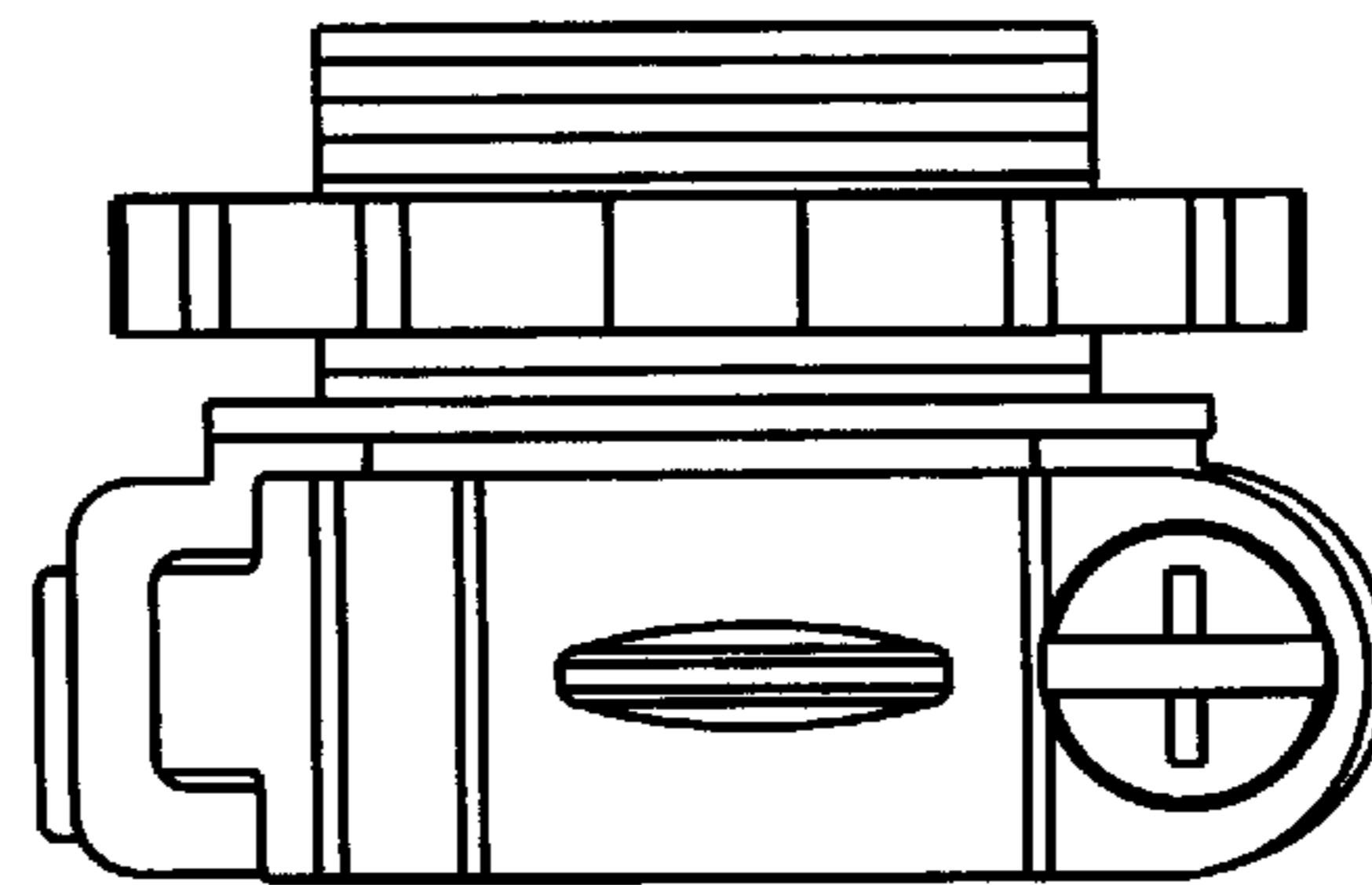


FIG. 4

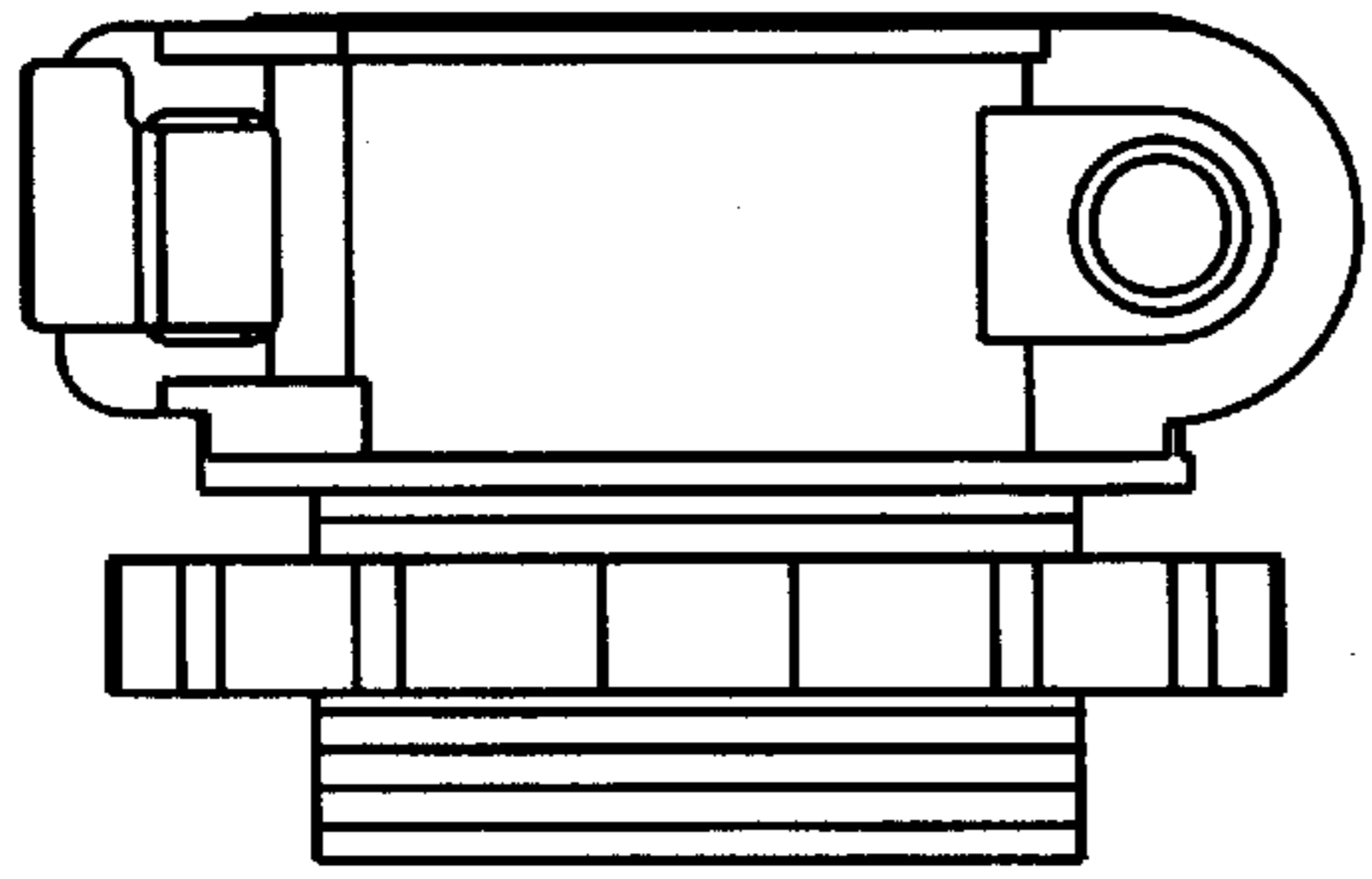


FIG. 5

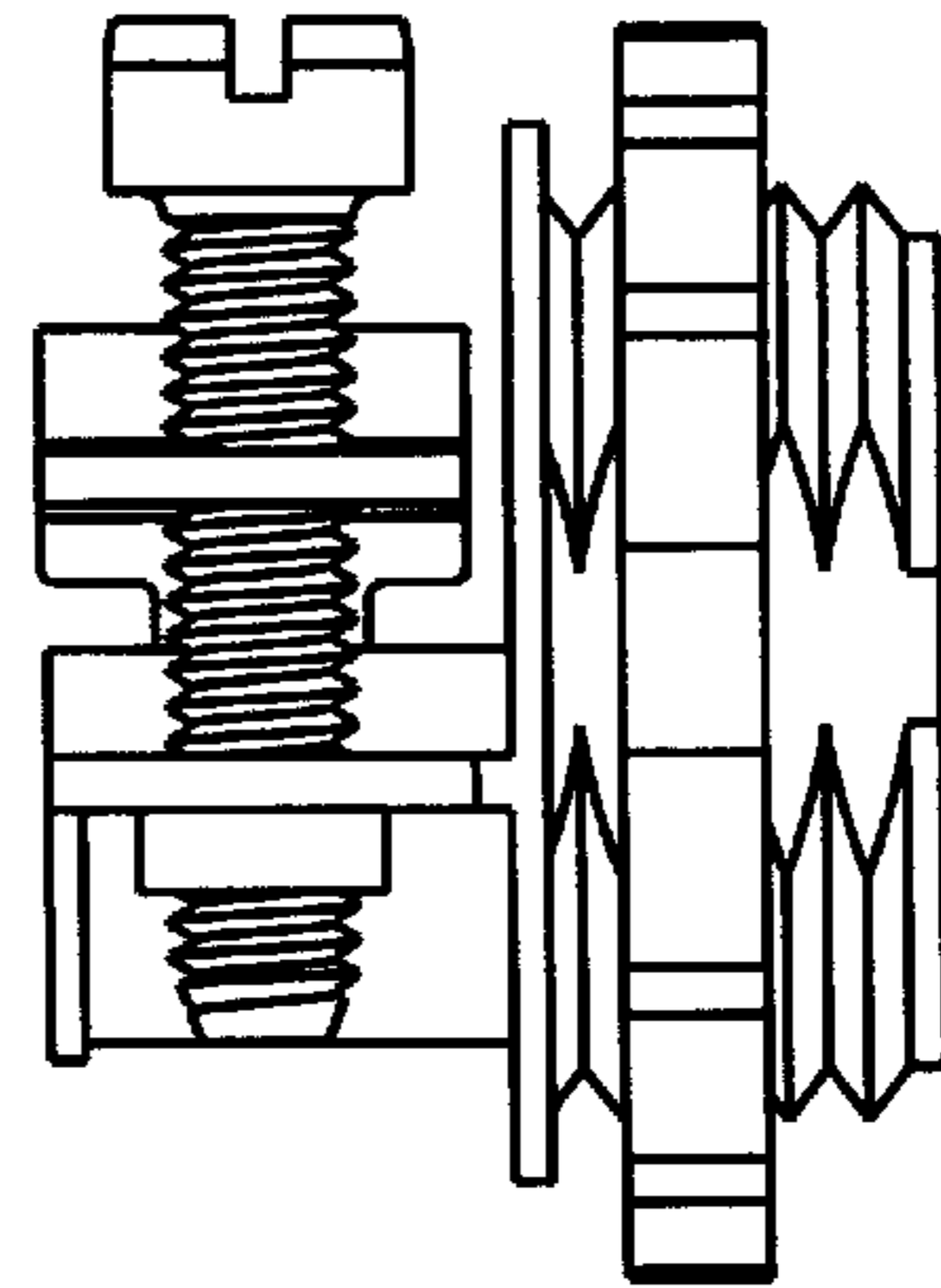


FIG. 6

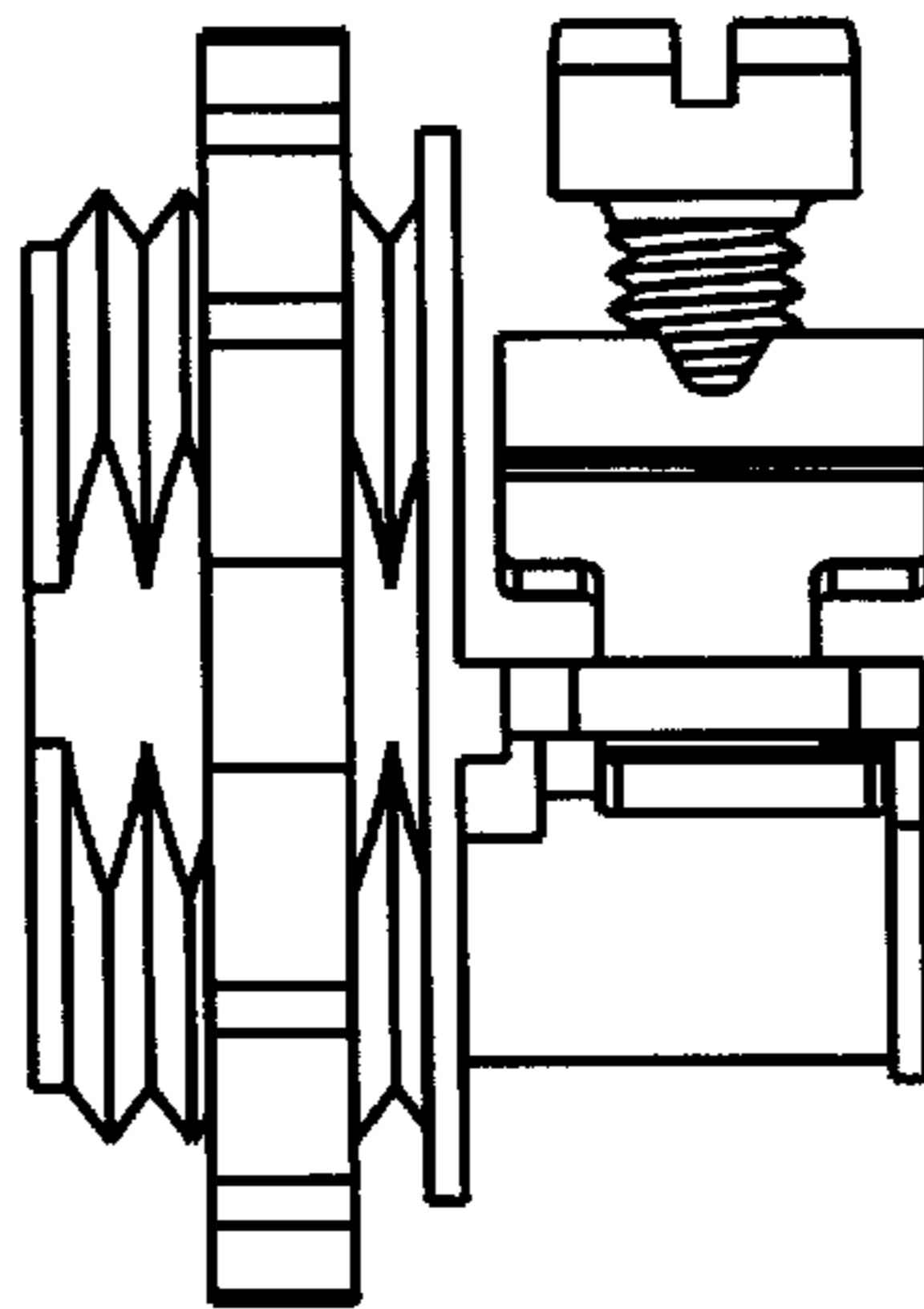


FIG. 7