



US00D518790S

(12) **United States Design Patent**
Nishio et al.

(10) **Patent No.:** **US D518,790 S**
(45) **Date of Patent:** **** Apr. 11, 2006**

(54) **CONNECTOR**

(75) Inventors: **Atsushi Nishio**, Tama (JP); **Yoshinori Ohta**, Tama (JP); **Yasuhiko Shinohara**, Tama (JP)

(73) Assignee: **Mitsumi Electric Co., Ltd.**, Tokyo (JP)

(**) Term: **14 Years**

(21) Appl. No.: **29/223,253**

(22) Filed: **Feb. 14, 2005**

(30) **Foreign Application Priority Data**

Nov. 15, 2004 (JP) 2004-034780

(51) **LOC (8) Cl.** **13-03**

(52) **U.S. Cl.** **D13/147**

(58) **Field of Classification Search** D13/133,
D13/146-147, 184, 199; 439/350, 353, 357,
439/378, 489, 587, 595, 680, 752
See application file for complete search history.

(56) **References Cited**

U.S. PATENT DOCUMENTS

4,487,464 A * 12/1984 Kirschenbaum 439/62

D435,244 S * 12/2000 Lok D13/147
6,402,554 B1 * 6/2002 Yeh 439/607
D466,480 S * 12/2002 Yeh D13/147
D476,627 S * 7/2003 Ushiro et al. D13/147
D476,953 S * 7/2003 Ushiro et al. D13/147
D476,955 S * 7/2003 Ushiro et al. D13/147

* cited by examiner

Primary Examiner—Stella Reid

Assistant Examiner—Daniel Bui

(74) *Attorney, Agent, or Firm*—Sughrue Mion, PLLC

(57) **CLAIM**

The ornamental design for a connector, as shown.

DESCRIPTION

FIG. 1 is a perspective view of the top, front and right side of a connector showing our new design; FIG. 2 is a front elevational view thereof; FIG. 3 is a rear elevational view thereof; FIG. 4 is a right side elevational view thereof; FIG. 5 is a left side elevational view thereof; FIG. 6 is a top plan view thereof; and, FIG. 7 is a bottom plan view thereof.

1 Claim, 5 Drawing Sheets

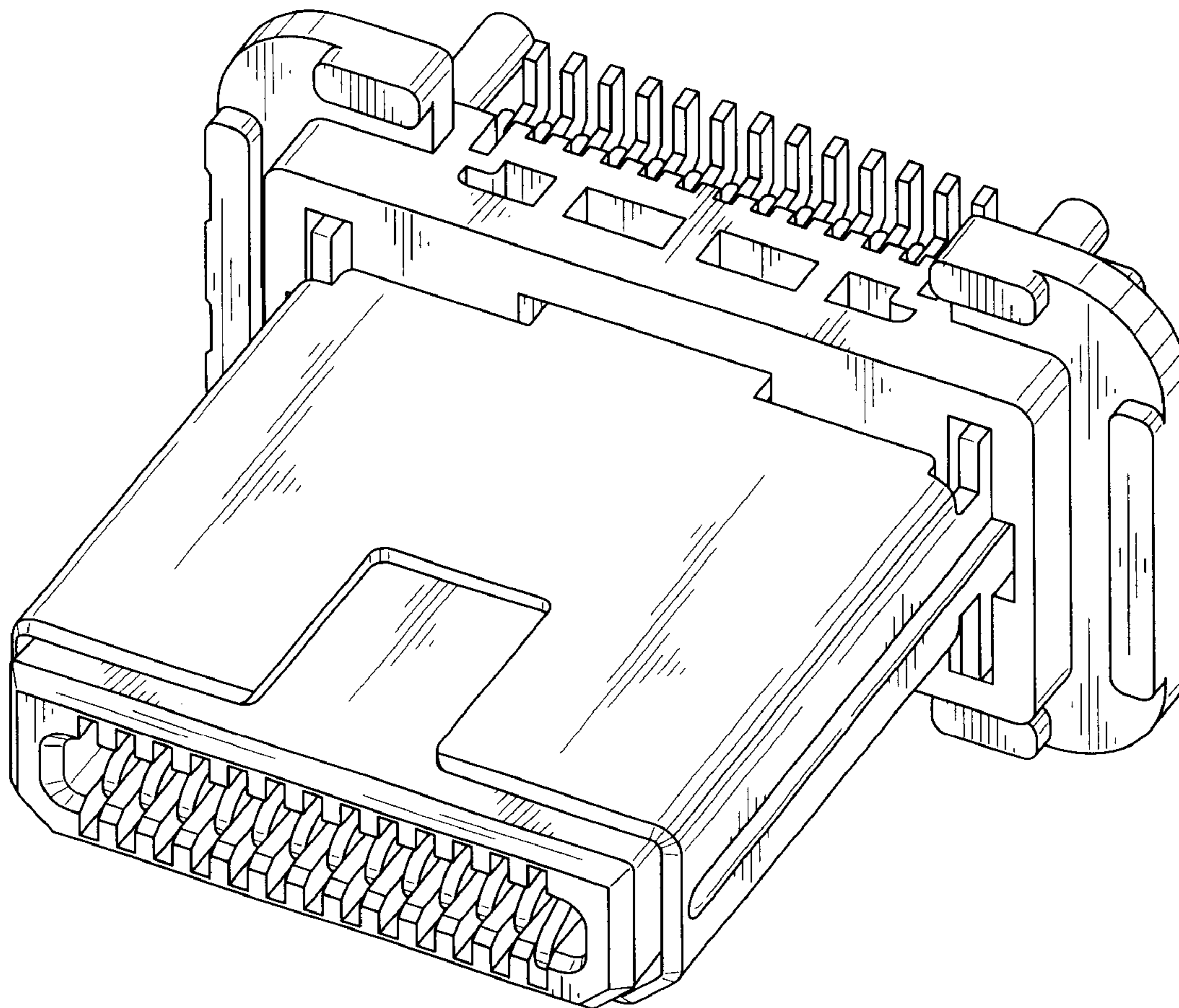


FIG. 1

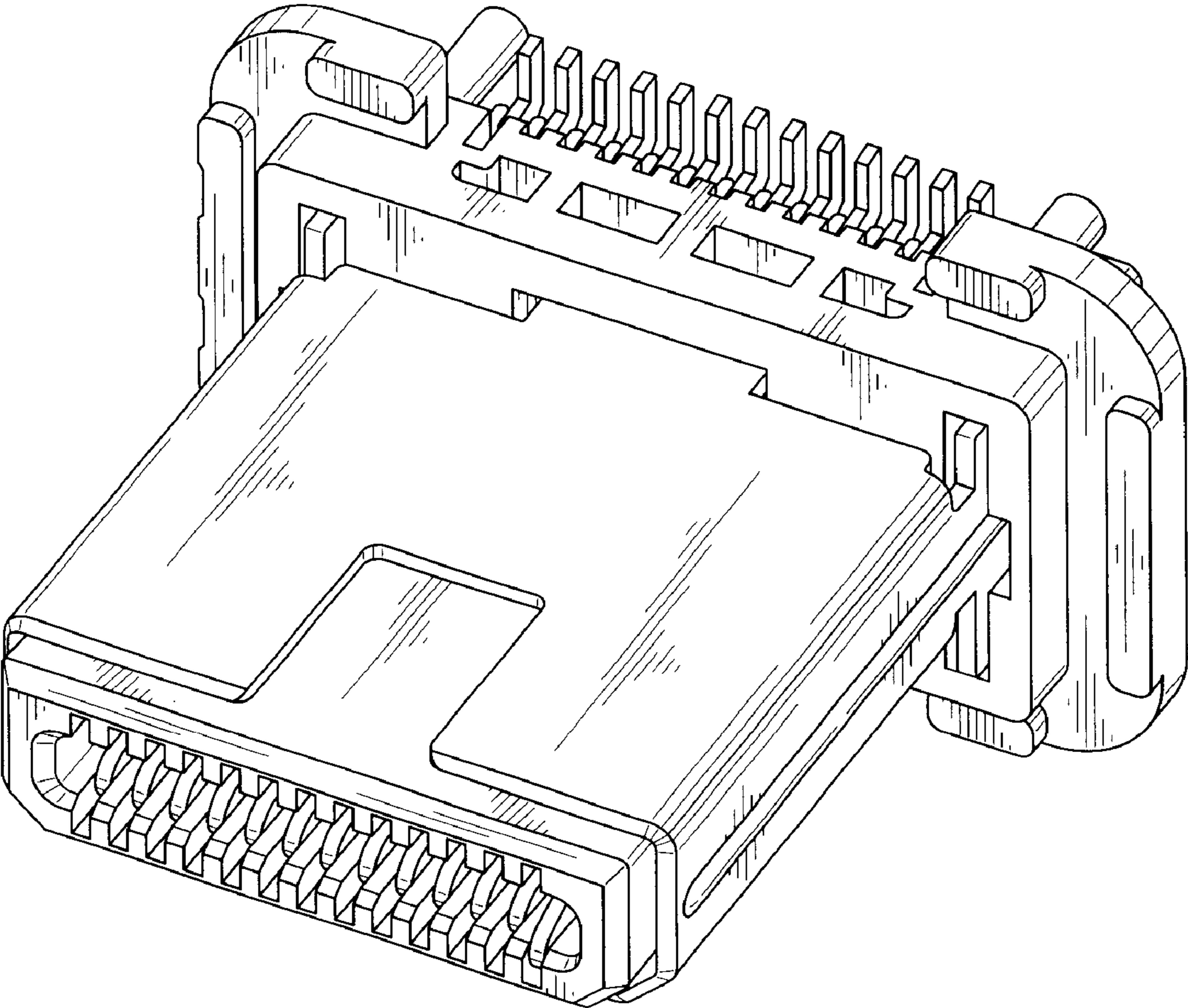


FIG. 2

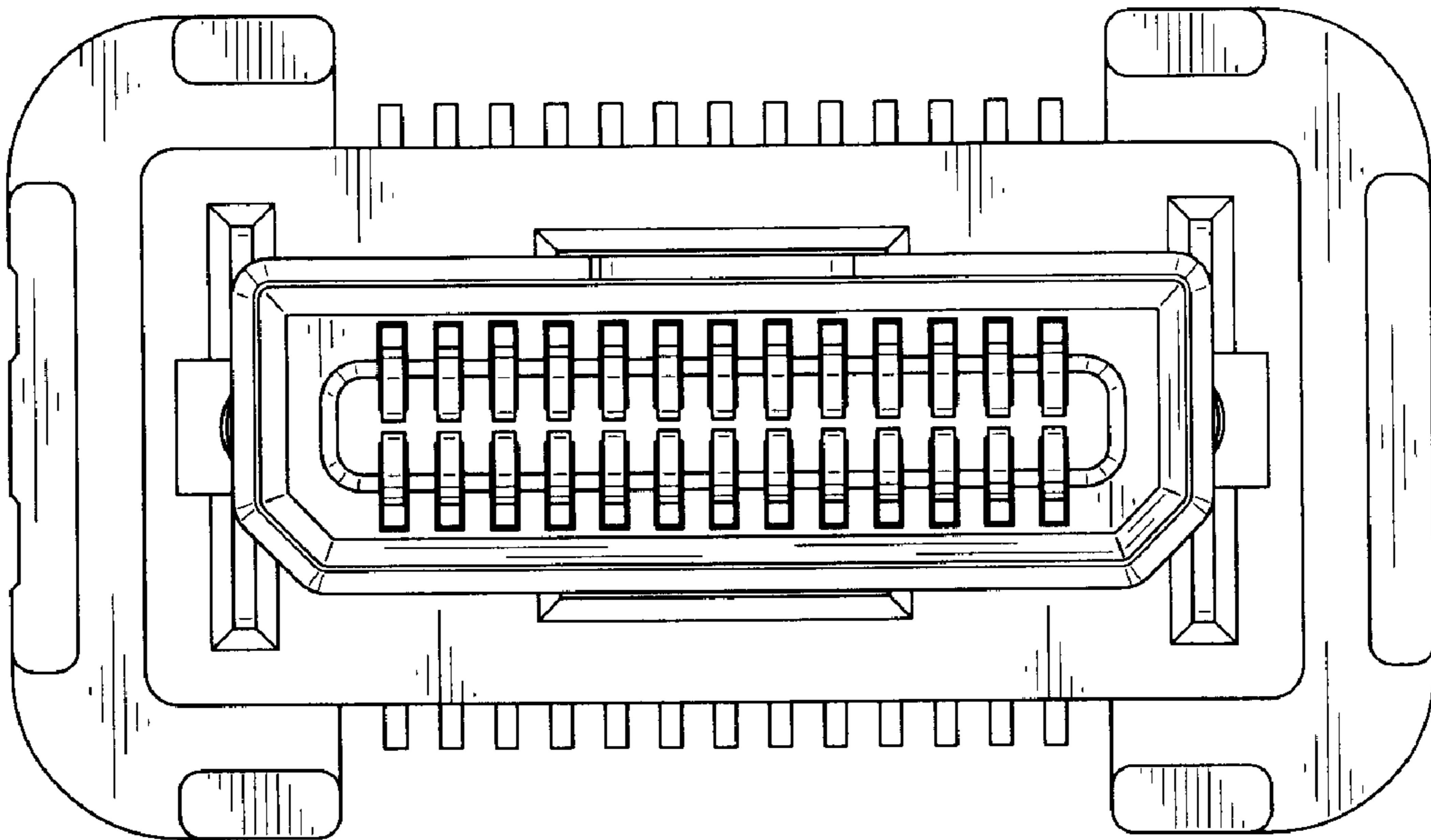


FIG. 3

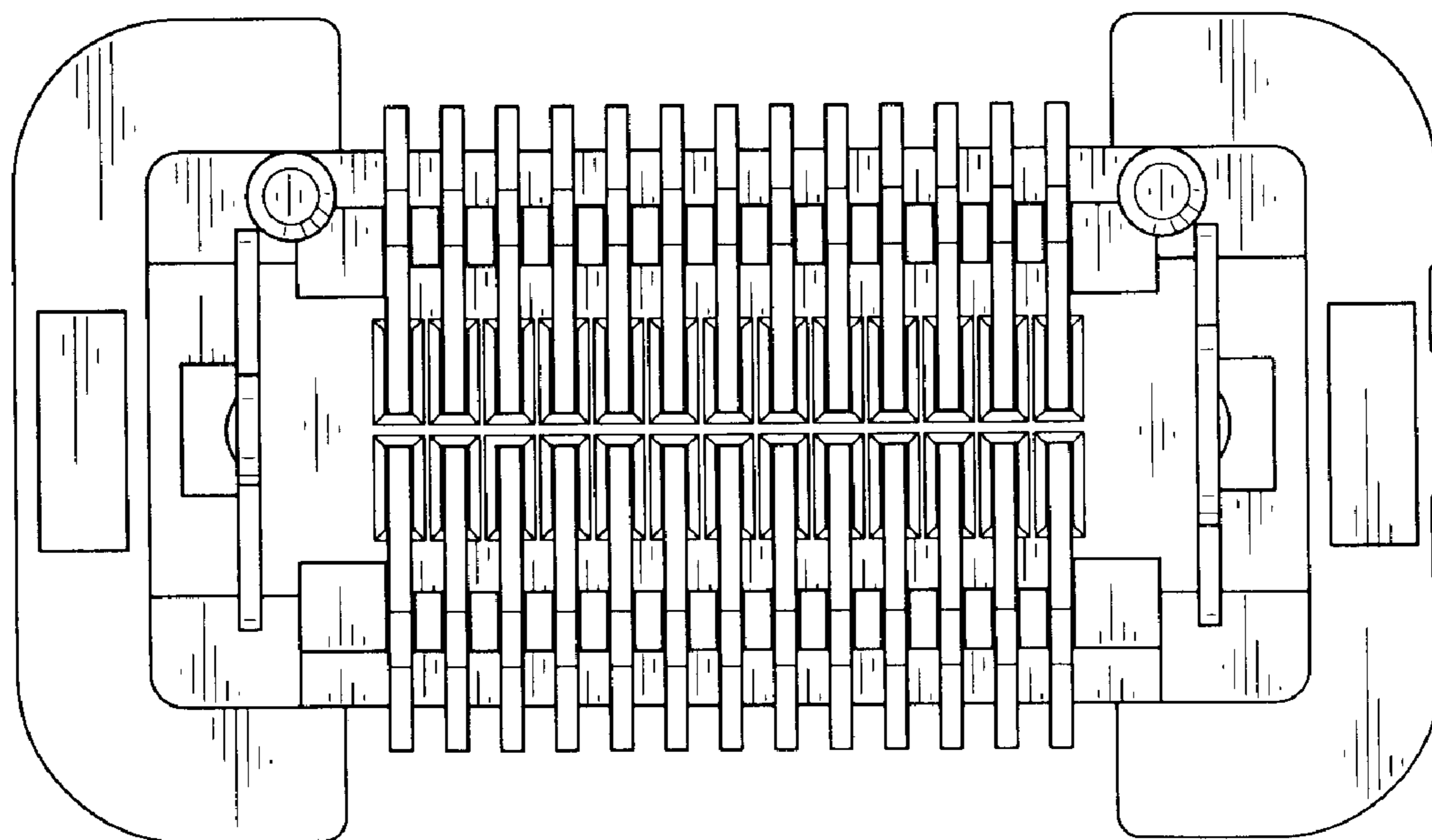


FIG. 4

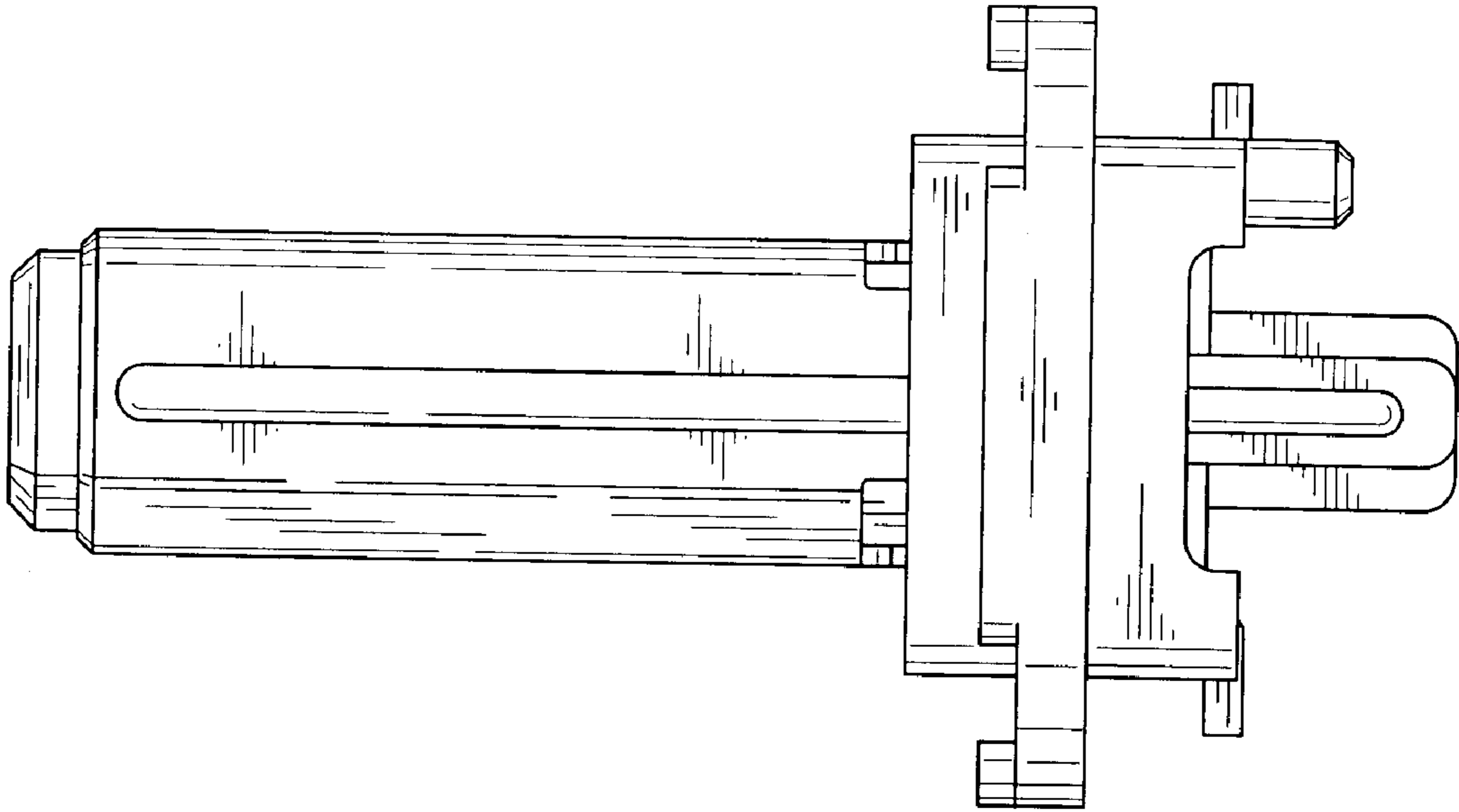


FIG. 5

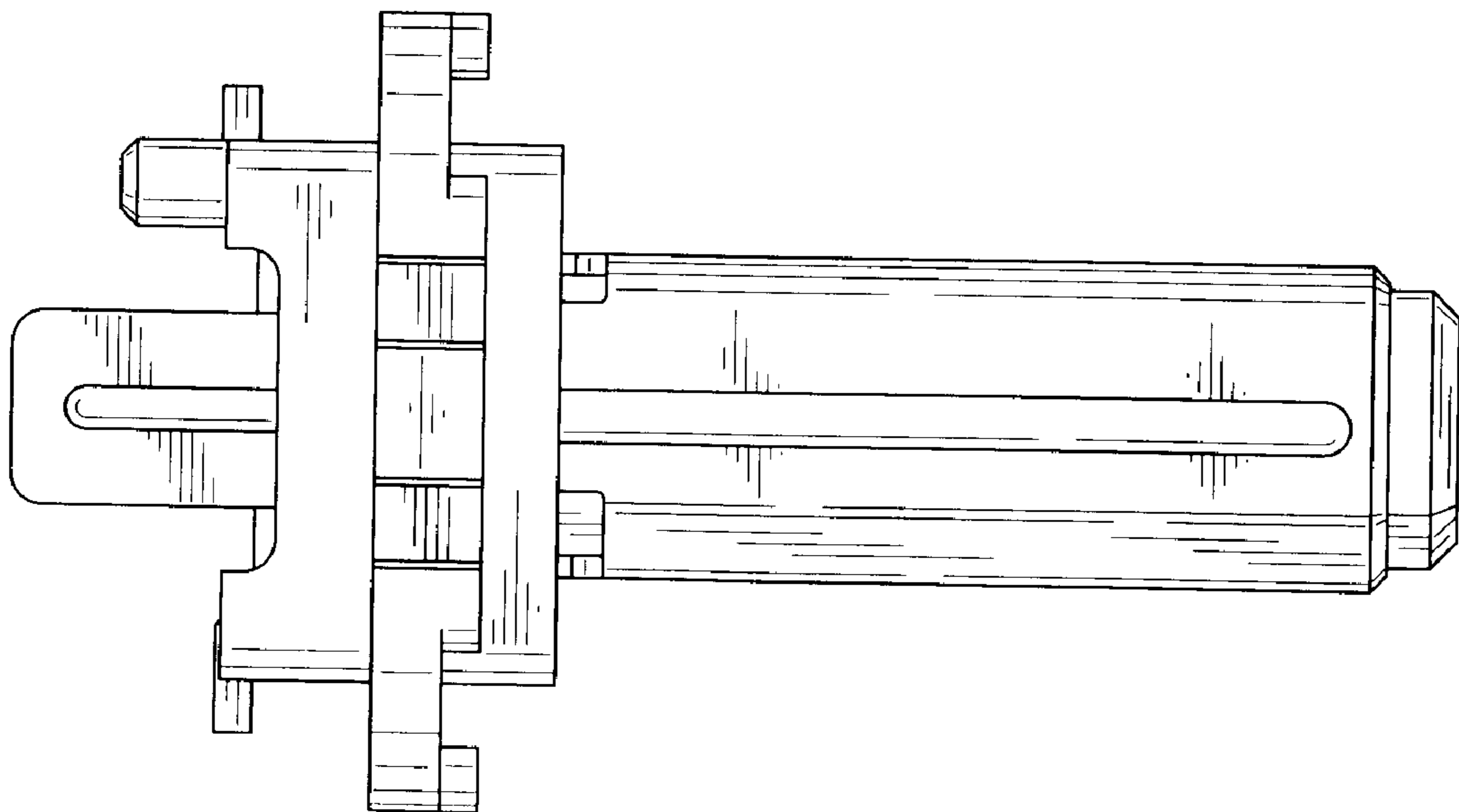


FIG. 6

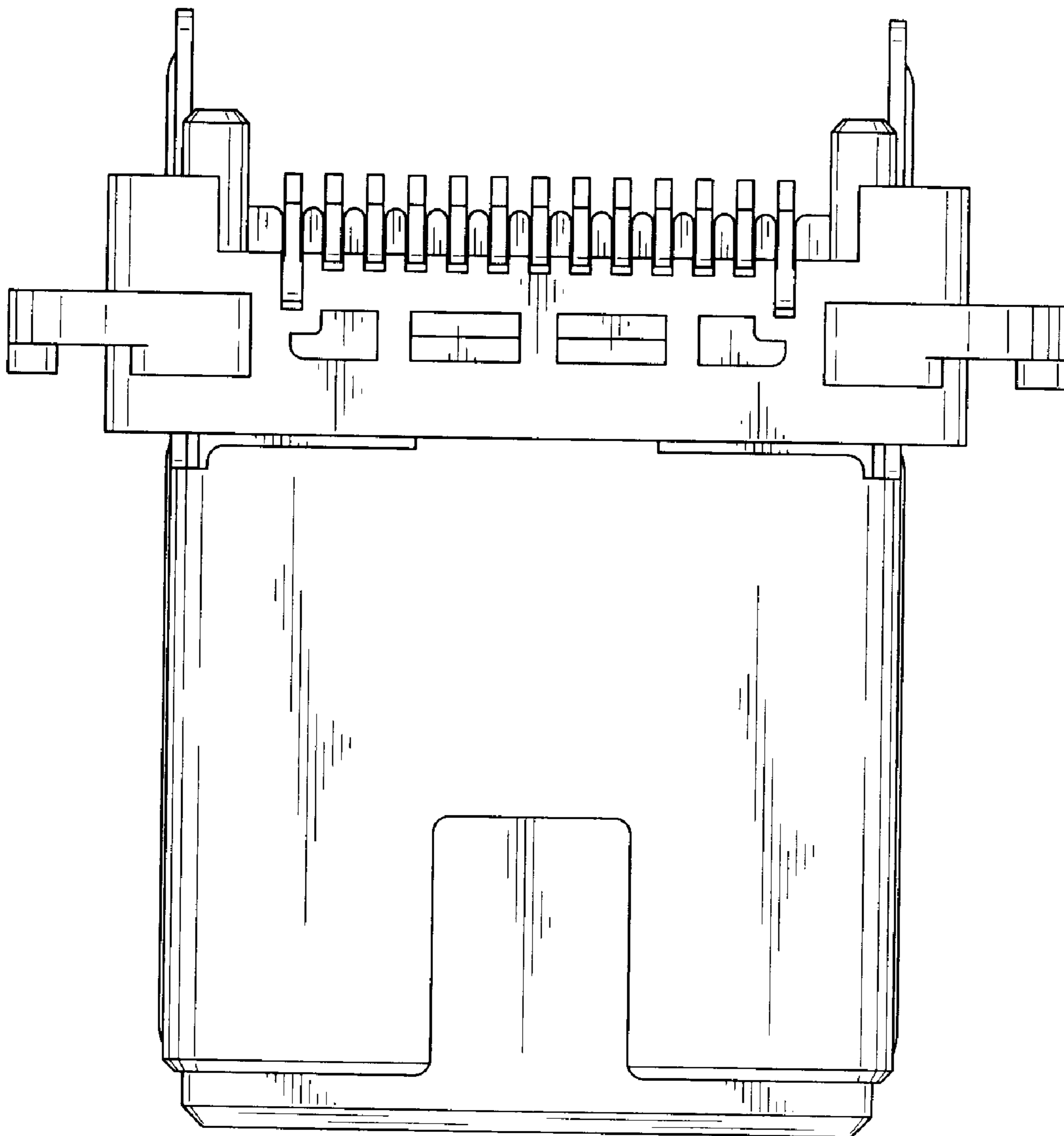


FIG. 7

