



US00D518789S

(12) **United States Design Patent**
Sakamaki et al.

(10) **Patent No.:** **US D518,789 S**

(45) **Date of Patent:** **** Apr. 11, 2006**

(54) **ELECTRICAL CONNECTOR**

(75) Inventors: **Kazushige Sakamaki**, Tokyo (JP); **Seiji Shishikura**, Chiba (JP); **Masato Minakata**, Aichi (JP); **Hiroshi Kobayashi**, Aichi (JP); **Atsushi Nishida**, Aichi (JP)

(73) Assignees: **Tyco Electronics AMP K.K.**, Kanagawa-ken (JP); **Toyota Jidosha Kabushiki Kaisha**, Aichi-ken (JP)

(**) Term: **14 Years**

(21) Appl. No.: **29/221,086**

(22) Filed: **Jan. 11, 2005**

(30) **Foreign Application Priority Data**

Jul. 12, 2004 (JP) 2004-020998

(51) **LOC (8) Cl.** **13-03**

(52) **U.S. Cl.** **D13/147**

(58) **Field of Classification Search** D13/133,
D13/146, 147, 184, 199; 439/607-610, 626,
439/629, 636

See application file for complete search history.

(56) **References Cited**

U.S. PATENT DOCUMENTS

D351,136 S * 10/1994 Kurata D13/147

D379,620 S * 6/1997 Aramaki D13/147
5,685,739 A * 11/1997 Davis et al. 439/607
D434,386 S * 11/2000 Wu D13/147
D466,481 S * 12/2002 Wu D13/147
D470,109 S * 2/2003 Yokoyama et al. D13/147
D476,952 S * 7/2003 Masaki D13/147
D492,935 S * 7/2004 Mitsuhashi et al. D13/147
6,830,472 B1 * 12/2004 Wu 439/358

* cited by examiner

Primary Examiner—Stella Reid

Assistant Examiner—Daniel Bui

(74) *Attorney, Agent, or Firm*—Barley Snyder LLC

(57) **CLAIM**

The ornamental design for an electrical connector, as shown and described.

DESCRIPTION

FIG. 1 is a front elevational view of an electrical connector showing our new design;

FIG. 2 is a rear elevational view thereof;

FIG. 3 is a top plan view thereof;

FIG. 4 is a bottom plan view thereof;

FIG. 5 is a left side elevational view thereof;

FIG. 6 is a perspective view from a top rear side thereof; and,

FIG. 7 is a perspective view from a bottom front side thereof.

1 Claim, 4 Drawing Sheets

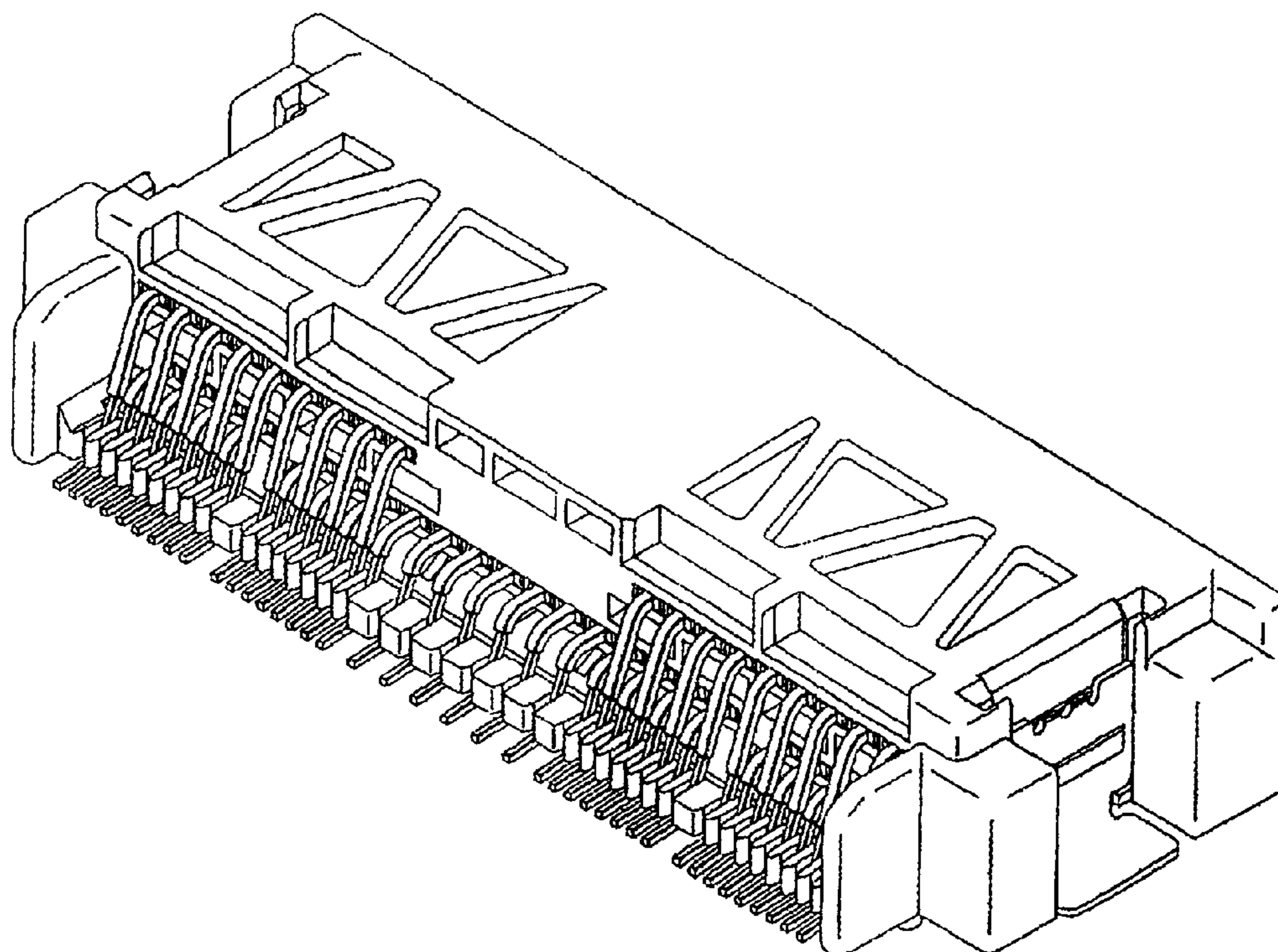


FIG. 1

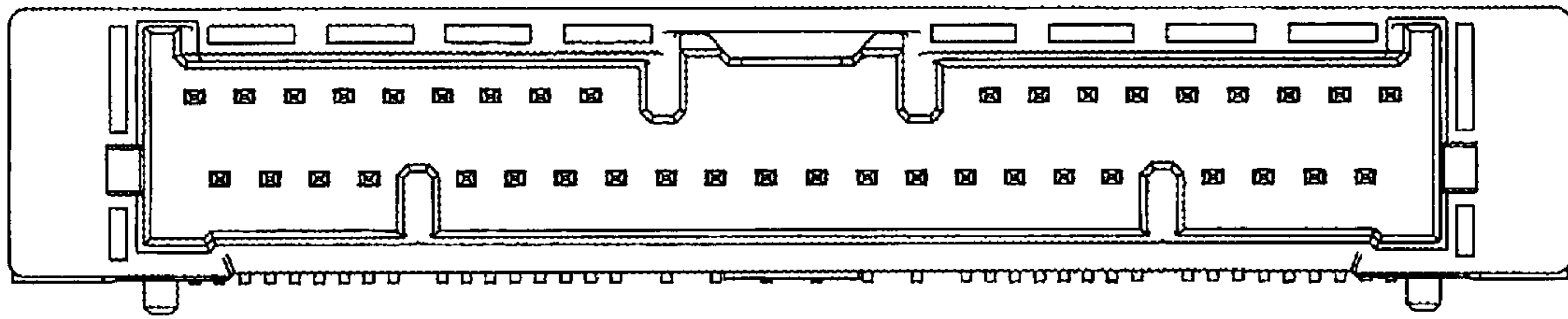


FIG. 2

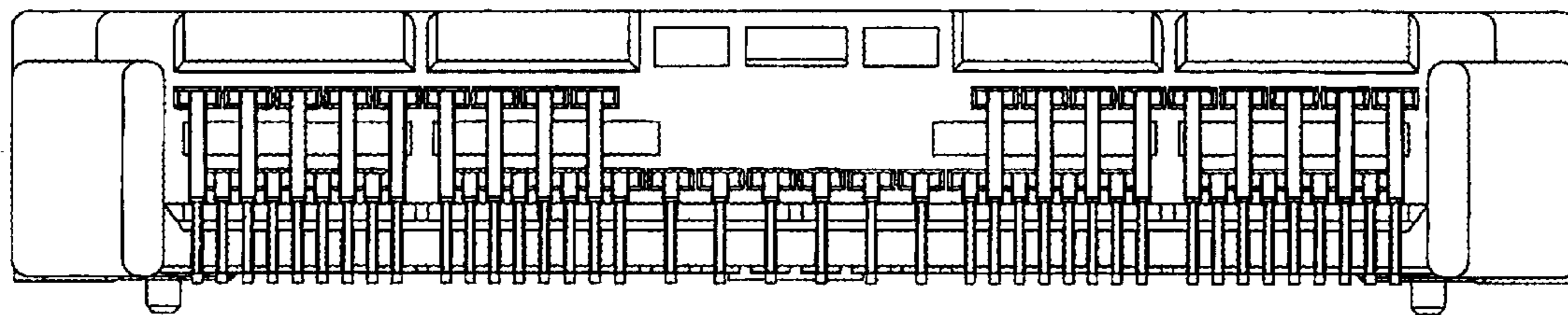


FIG. 3

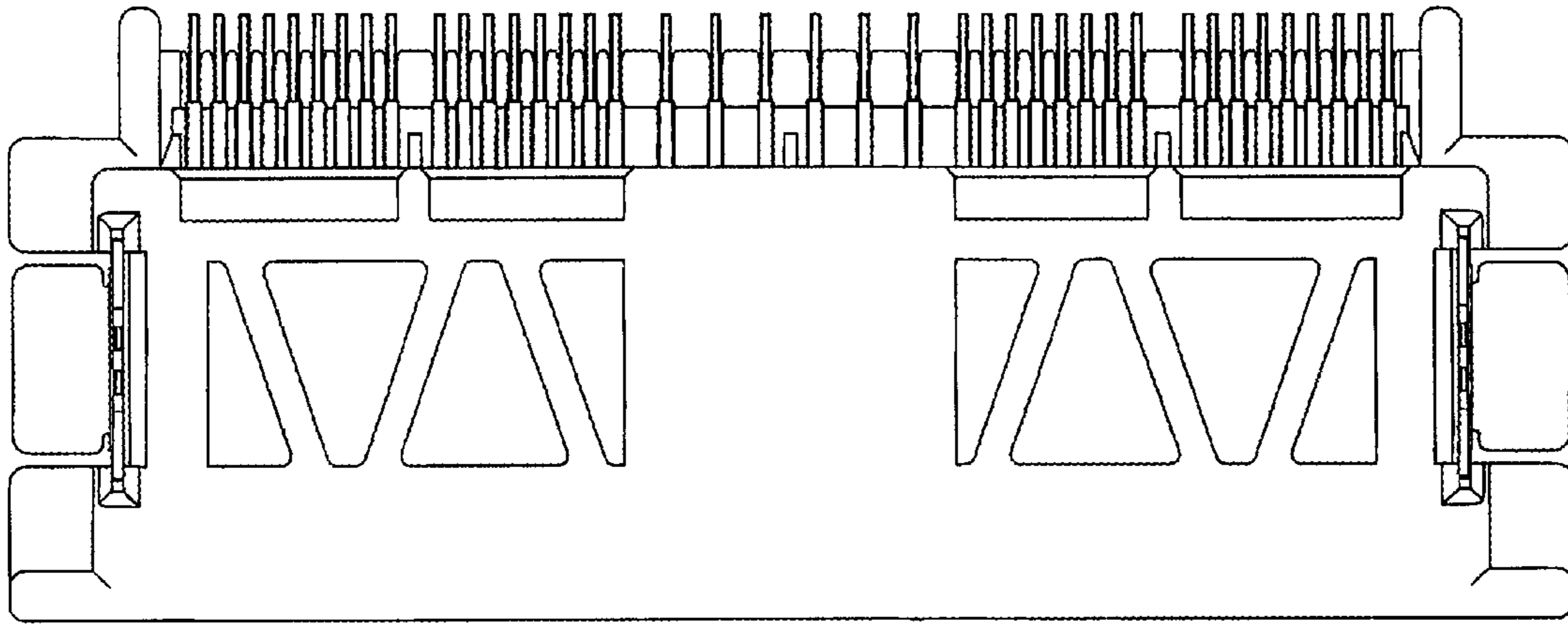


FIG. 4

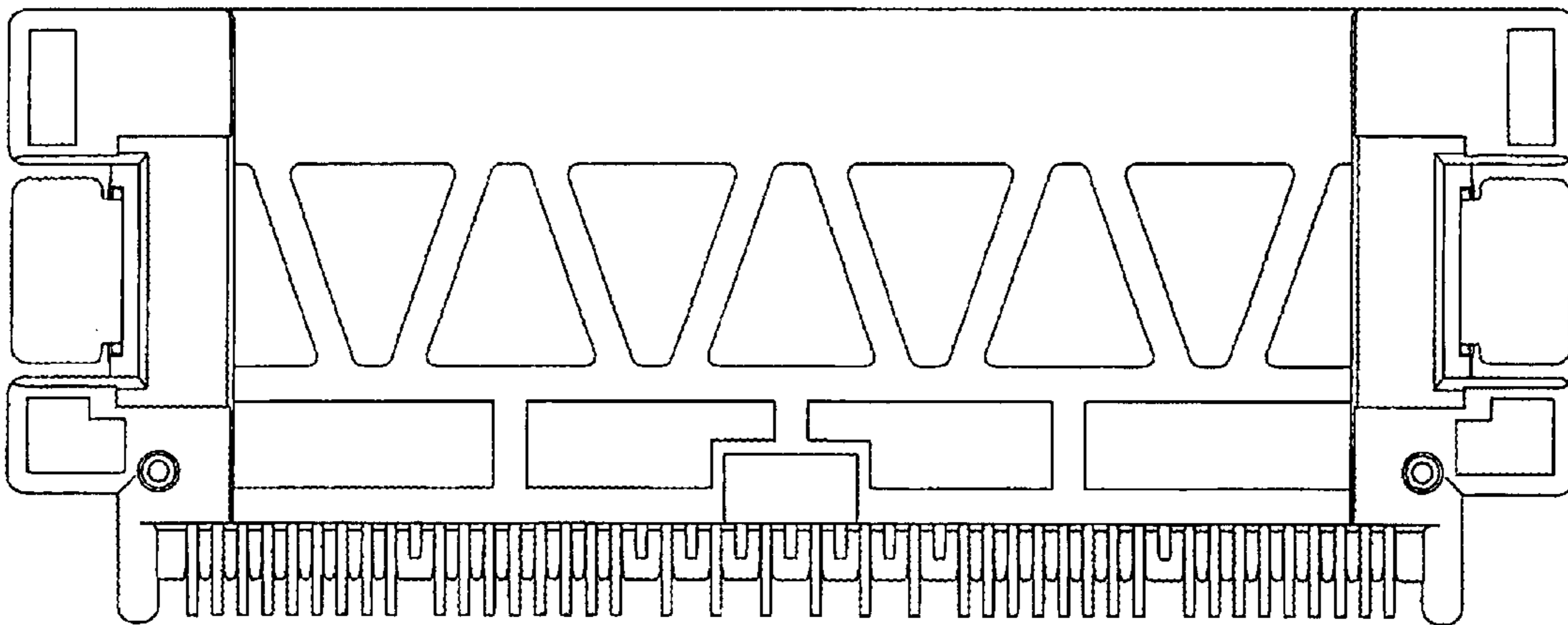


FIG. 5

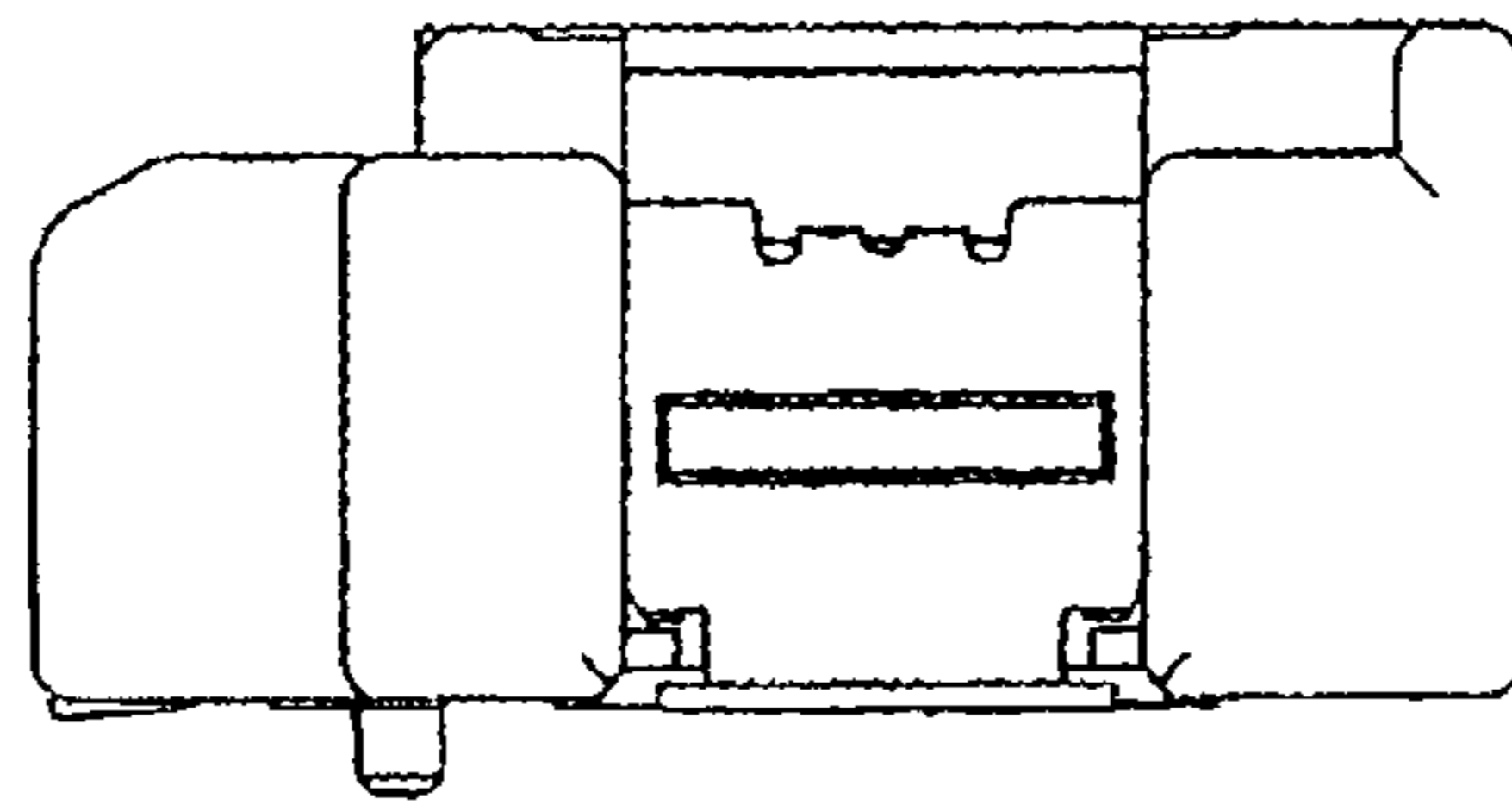


FIG. 6

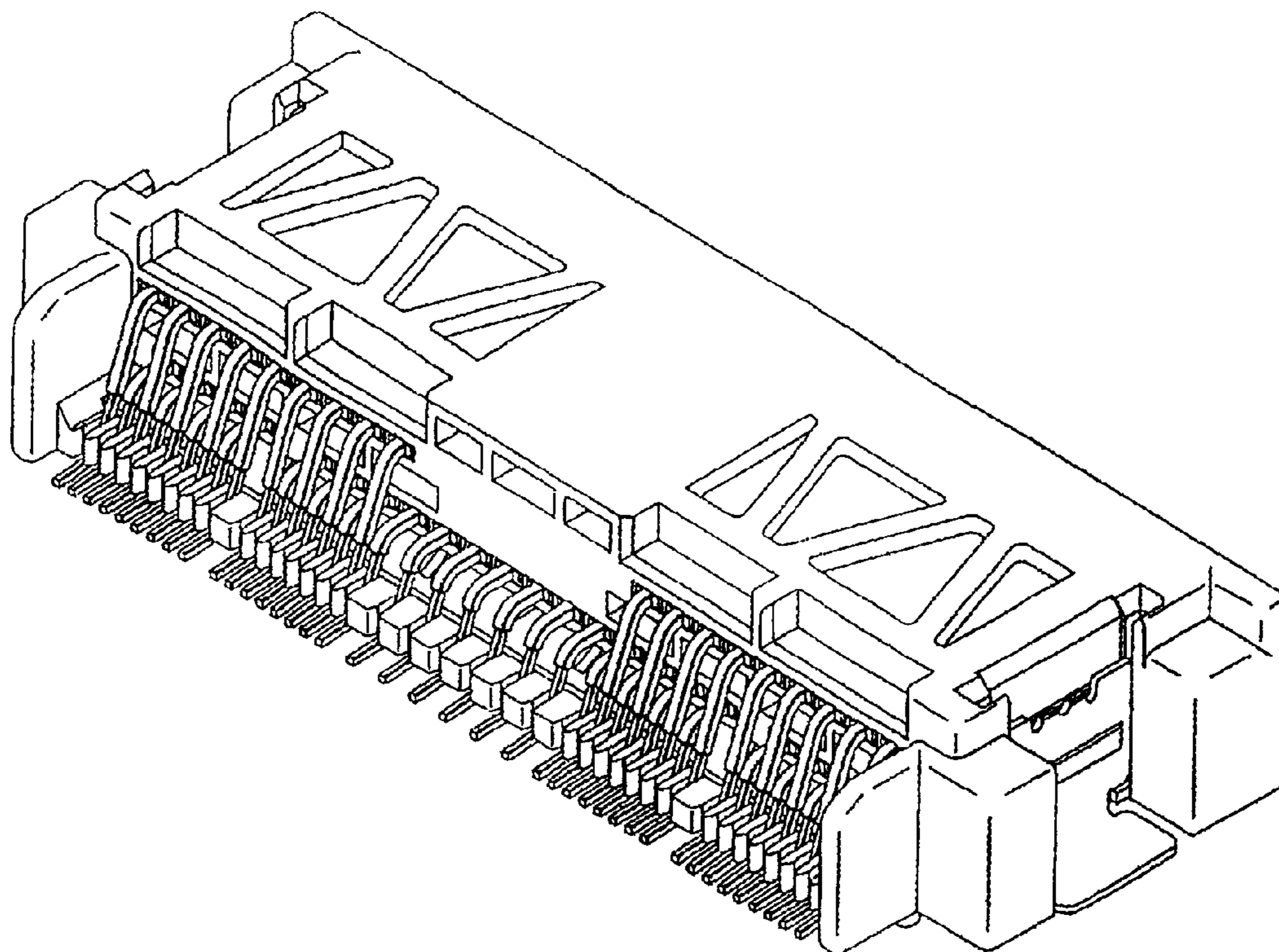


FIG. 7

