



US00D518788S

(12) **United States Design Patent**  
**Fan**

(10) **Patent No.:** **US D518,788 S**

(45) **Date of Patent:** **\*\* Apr. 11, 2006**

(54) **ELECTRICAL CONNECTOR**

(75) Inventor: **Chia Hao Fan**, Tu-chen (TW)

(73) Assignee: **Hon Hai Precision Ind. Co., Ltd.**,  
Taipei Hsien (TW)

(\*\*) Term: **14 Years**

(21) Appl. No.: **29/220,520**

(22) Filed: **Dec. 29, 2004**

(51) **LOC (8) Cl.** ..... **13-03**

(52) **U.S. Cl.** ..... **D13/147**

(58) **Field of Classification Search** ..... D13/133,  
D13/146-147, 184, 199; 439/74, 78-79,  
439/83, 108, 181, 378, 567, 607-610, 637-638,  
439/660, 680

See application file for complete search history.

(56) **References Cited**

**U.S. PATENT DOCUMENTS**

5,466,171	A	*	11/1995	Bixler et al.	.....	439/378
D398,584	S	*	9/1998	Hirai et al.	.....	D13/147
D409,981	S	*	5/1999	Wu	.....	D13/147
D412,884	S	*	8/1999	Wu	.....	D13/147
D420,330	S	*	2/2000	Wu et al.	.....	D13/147

D427,974	S	*	7/2000	Takase et al.	.....	D13/147
6,093,046	A	*	7/2000	Chiou et al.	.....	439/378
6,331,122	B1	*	12/2001	Wu	.....	439/567
D471,873	S	*	3/2003	Kawase	.....	D13/147
6,565,390	B1	*	5/2003	Wu	.....	439/680
D491,528	S	*	6/2004	Fan	.....	D13/147

\* cited by examiner

*Primary Examiner*—Stella Reid  
*Assistant Examiner*—Daniel Bui

(74) *Attorney, Agent, or Firm*—Wei Te Chung

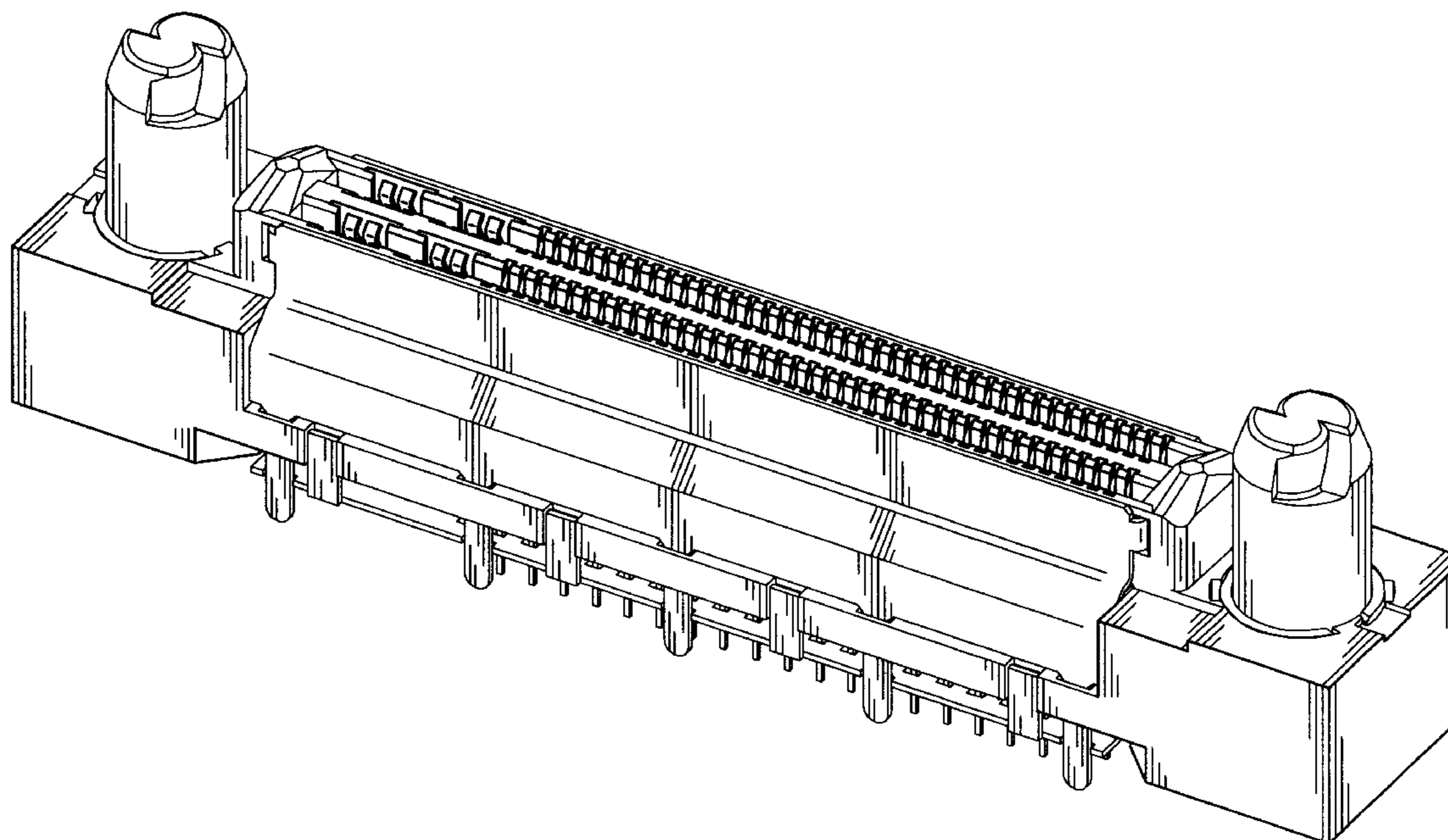
(57) **CLAIM**

The ornamental design for an electrical connector, as shown and described.

**DESCRIPTION**

FIG. 1 is a front, top and right side perspective view of an electrical connector showing my new design; FIG. 2 is a front elevational view of FIG. 1; FIG. 3 is a rear elevational view of FIG. 1; FIG. 4 is a left side elevational view of FIG. 1; FIG. 5 is a right side elevational view of FIG. 1; FIG. 6 is a top plan view of FIG. 1; and, FIG. 7 is a bottom plan view of FIG. 1.

**1 Claim, 6 Drawing Sheets**



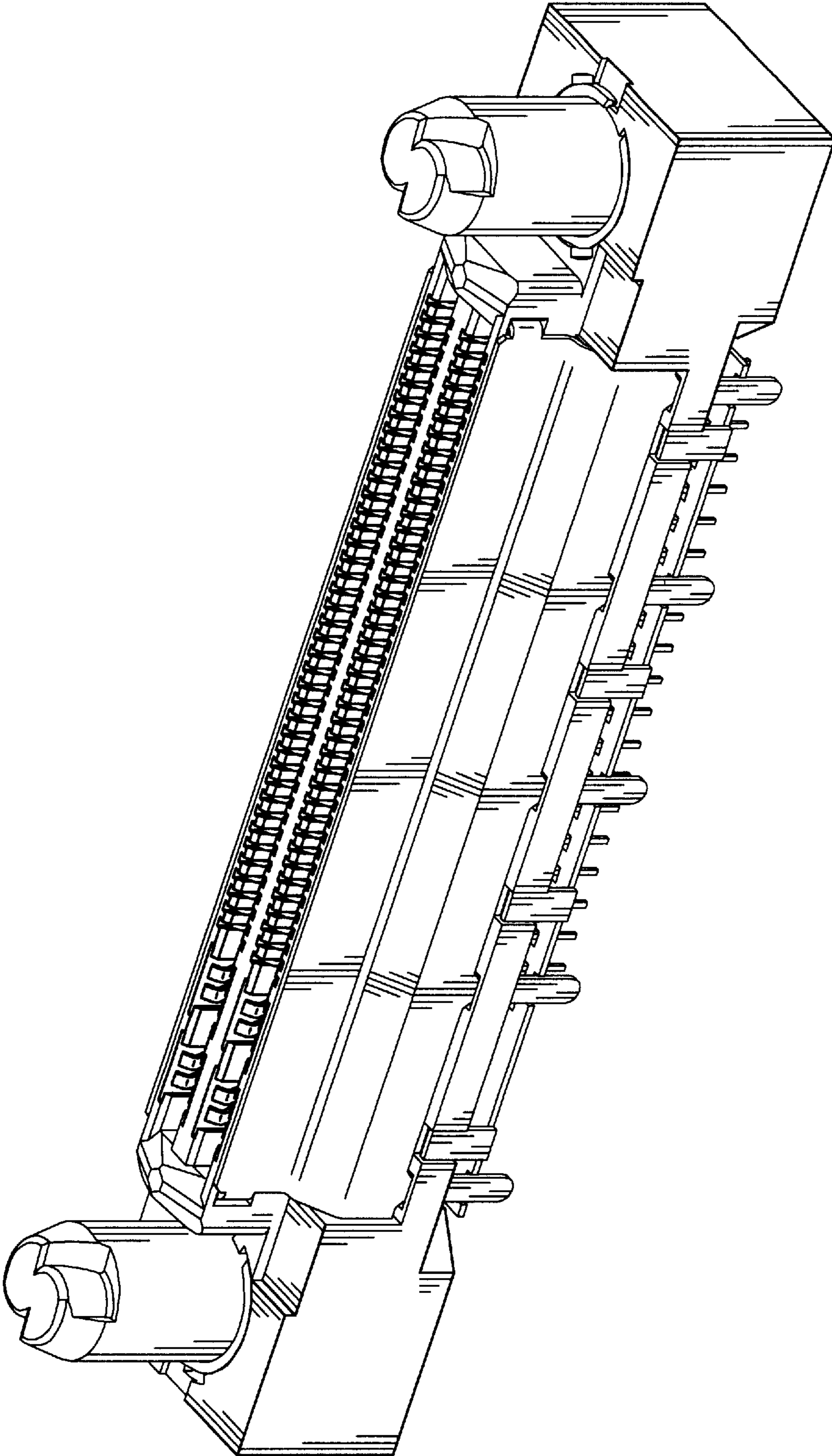


FIG. 1

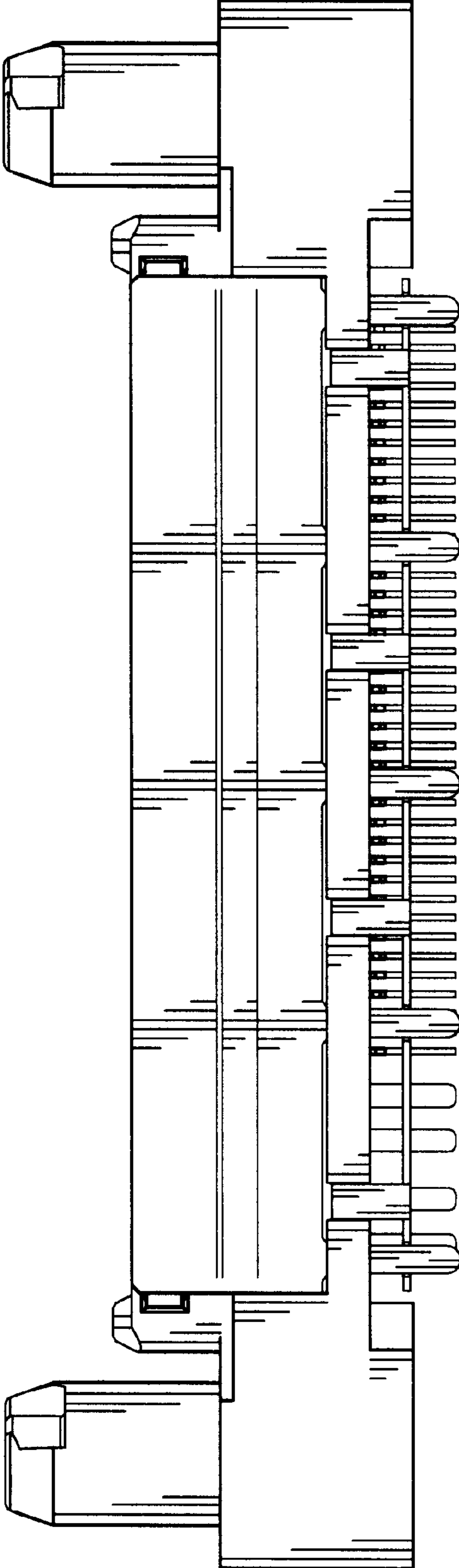


FIG. 2

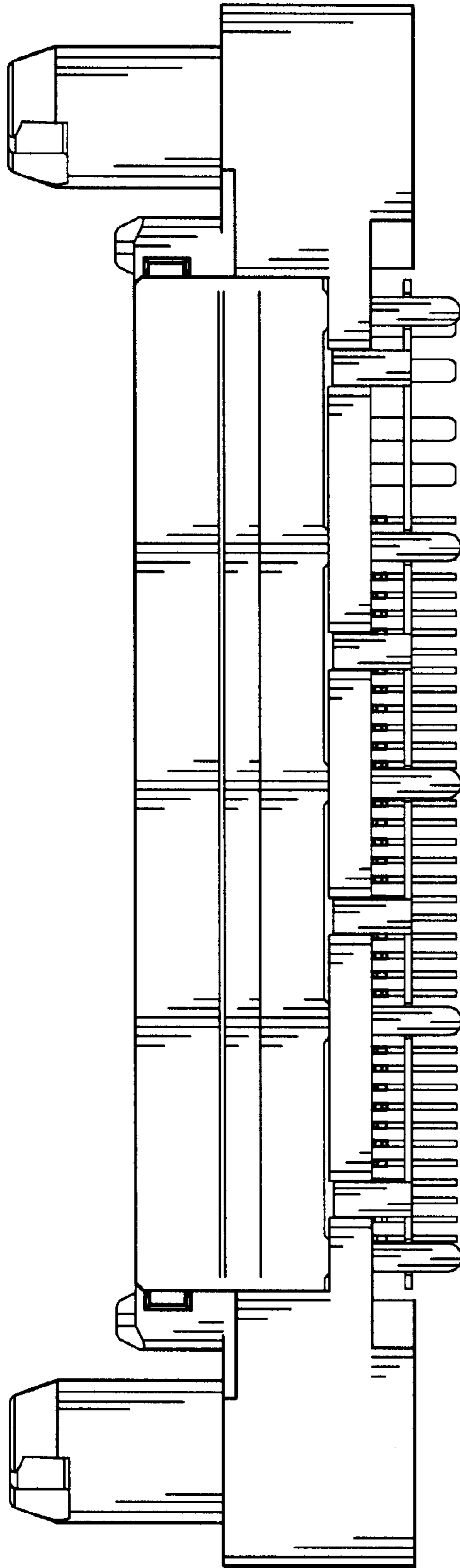


FIG. 3

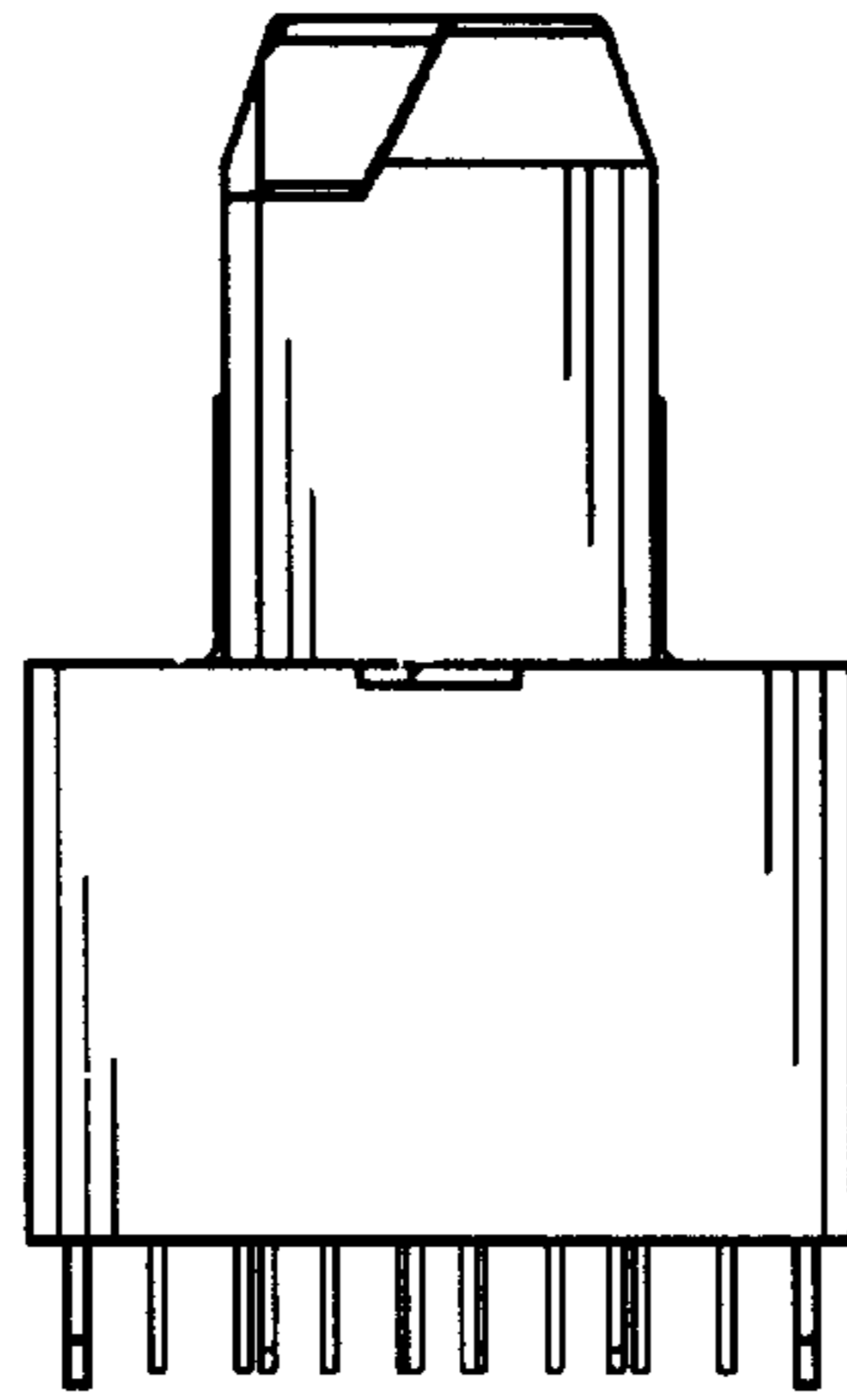


FIG. 4

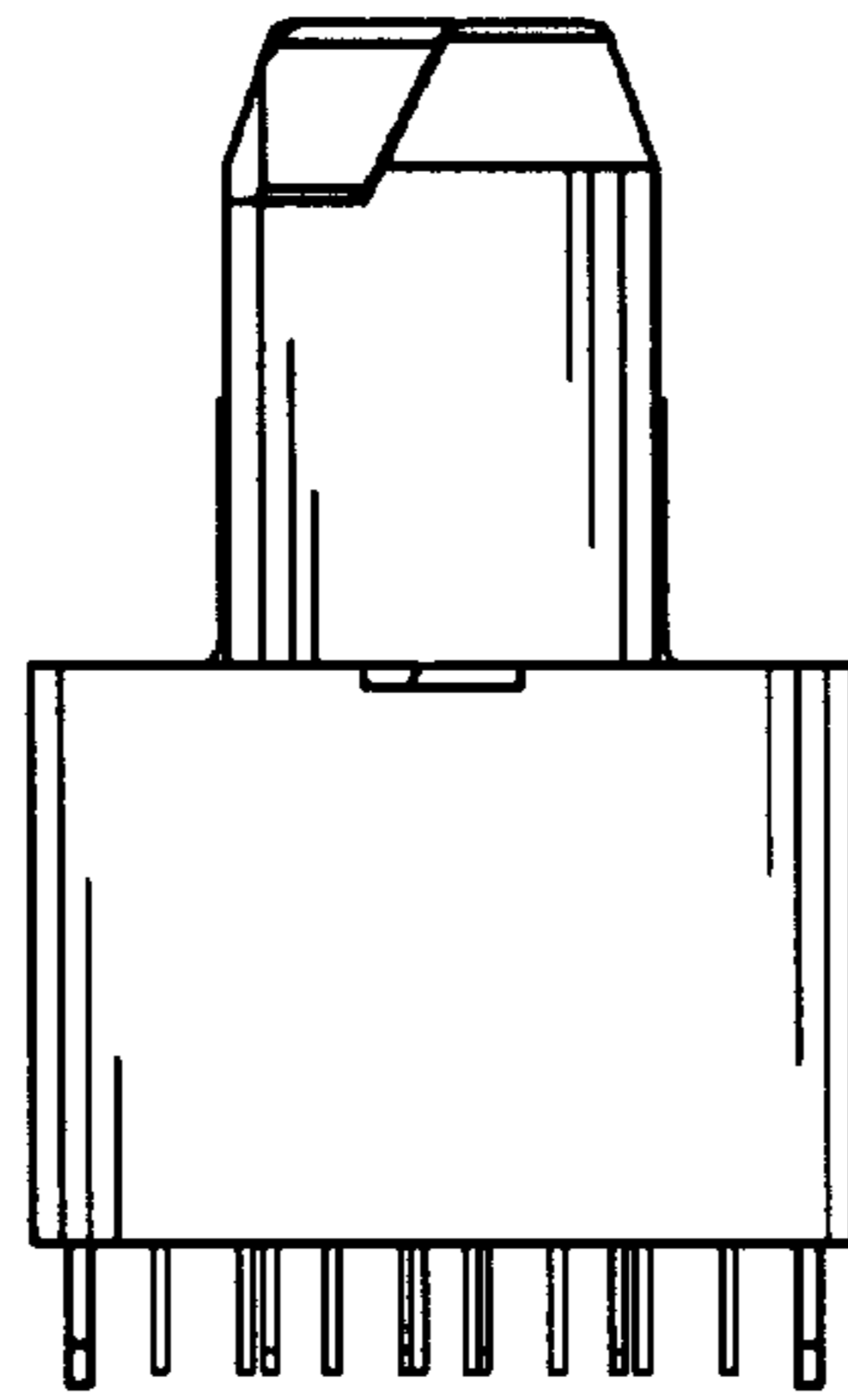


FIG. 5

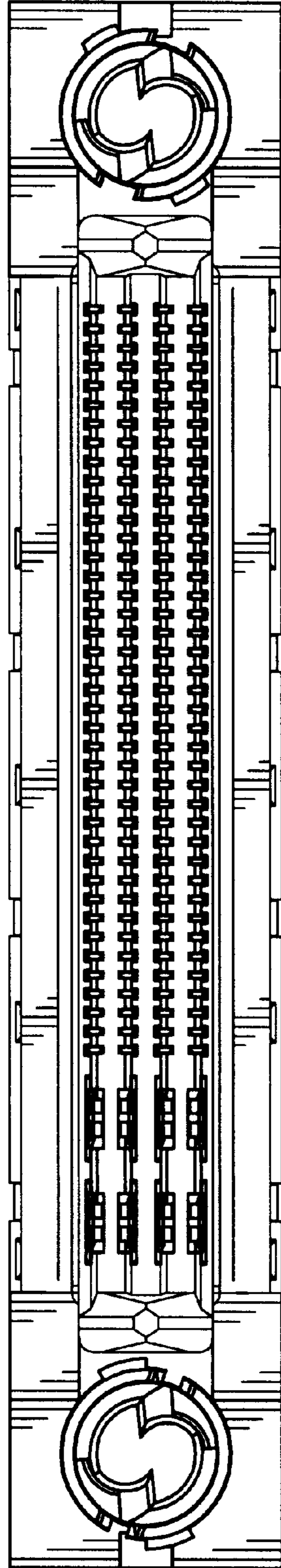


FIG. 6

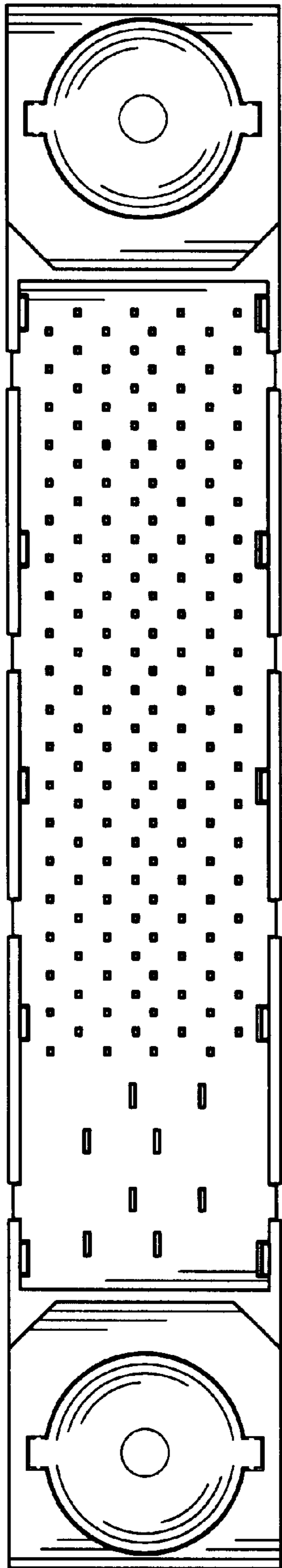


FIG. 7