



US00D518787S

(12) **United States Design Patent**  
**Mao et al.**

(10) **Patent No.:** **US D518,787 S**

(45) **Date of Patent:** **\*\* Apr. 11, 2006**

(54) **ELECTRICAL CONNECTOR**

(75) Inventors: **Yu-Hua Mao**, Kunsan (CN);  
**Chun-Sheng Li**, Kunsan (CN)

(73) Assignee: **Hon Hai Precision Ind. Co., Ltd.**,  
Taipei Hsien (TW)

(\*\*) Term: **14 Years**

(21) Appl. No.: **29/220,485**

(22) Filed: **Dec. 29, 2004**

(30) **Foreign Application Priority Data**

Jul. 9, 2004 (TW) ..... 93304050

(51) **LOC (8) Cl.** ..... **13-03**

(52) **U.S. Cl.** ..... **D13/147**

(58) **Field of Classification Search** ..... D13/146,  
D13/147, 184, 199; 439/74, 79, 83, 108,  
439/181, 607-610, 637, 638

See application file for complete search history.

(56) **References Cited**

**U.S. PATENT DOCUMENTS**

D390,828 S \* 2/1998 Aramaki ..... D13/147

D398,584 S \* 9/1998 Hirai et al. .... D13/147

D408,014 S	*	4/1999	Lai et al. ....	D13/147
6,093,046 A	*	7/2000	Chiou et al. ....	439/378
6,203,374 B1	*	3/2001	Huang et al. ....	439/607
6,345,992 B1	*	2/2002	Cheong et al. ....	439/83
D463,374 S	*	9/2002	Homma et al. ....	D13/147
D466,481 S	*	12/2002	Wu .....	D13/147
D485,532 S	*	1/2004	Lai .....	D13/147
D491,527 S	*	6/2004	Fan .....	D13/147
D505,920 S	*	6/2005	Moritake .....	D13/147

\* cited by examiner

*Primary Examiner*—Stella Reid

*Assistant Examiner*—Daniel Bui

(74) *Attorney, Agent, or Firm*—Wei Te Chung

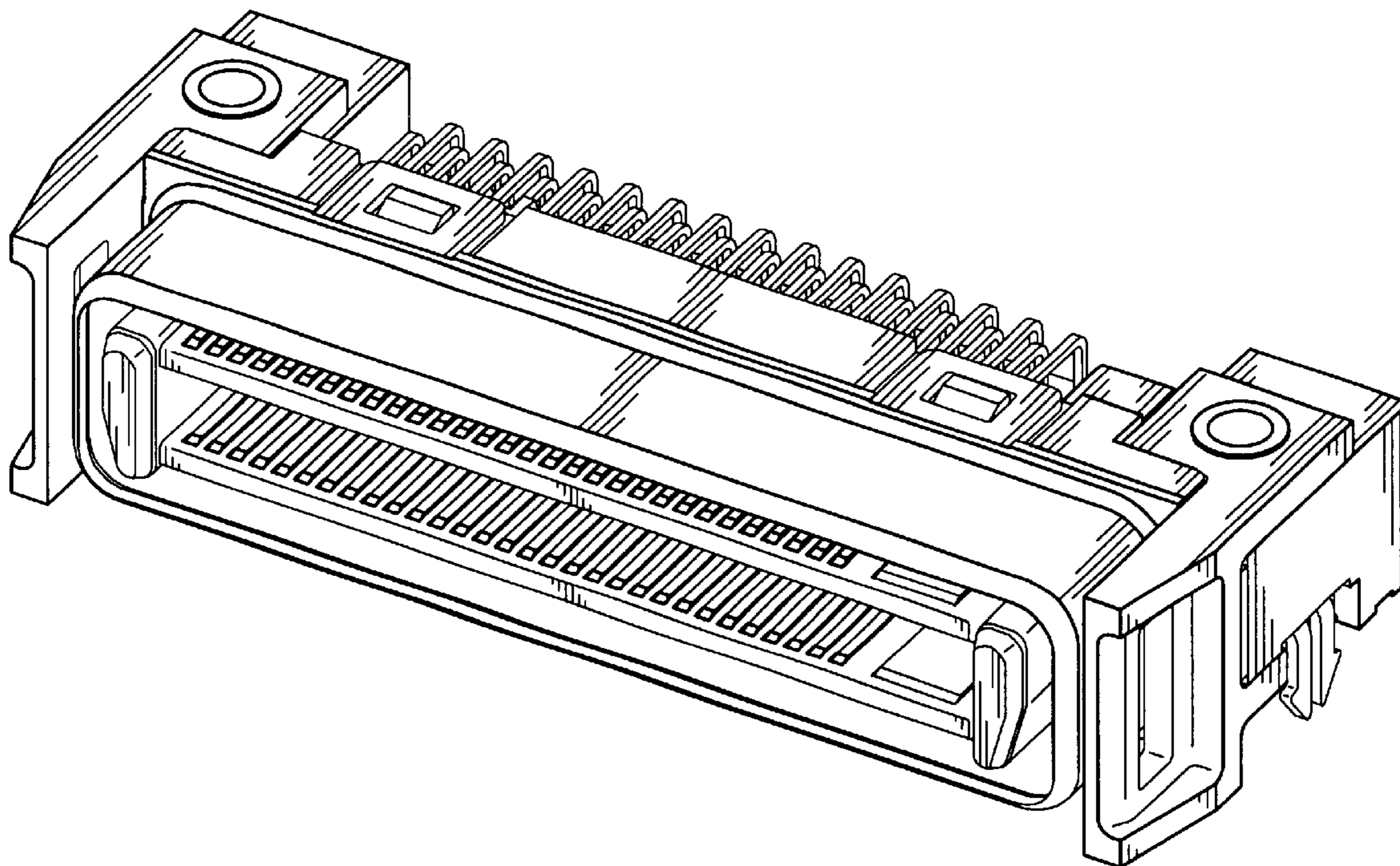
(57) **CLAIM**

The ornamental design for an electrical connector, as shown.

**DESCRIPTION**

FIG. 1 is a front, top and right side perspective view of an electrical connector showing our new design; FIG. 2 is a front elevational view thereof; FIG. 3 is a rear elevational view thereof; FIG. 4 is a left side elevational view thereof; FIG. 5 is a right side elevational view thereof; FIG. 6 is a top plan view thereof; and, FIG. 7 is a bottom plan view thereof.

**1 Claim, 6 Drawing Sheets**



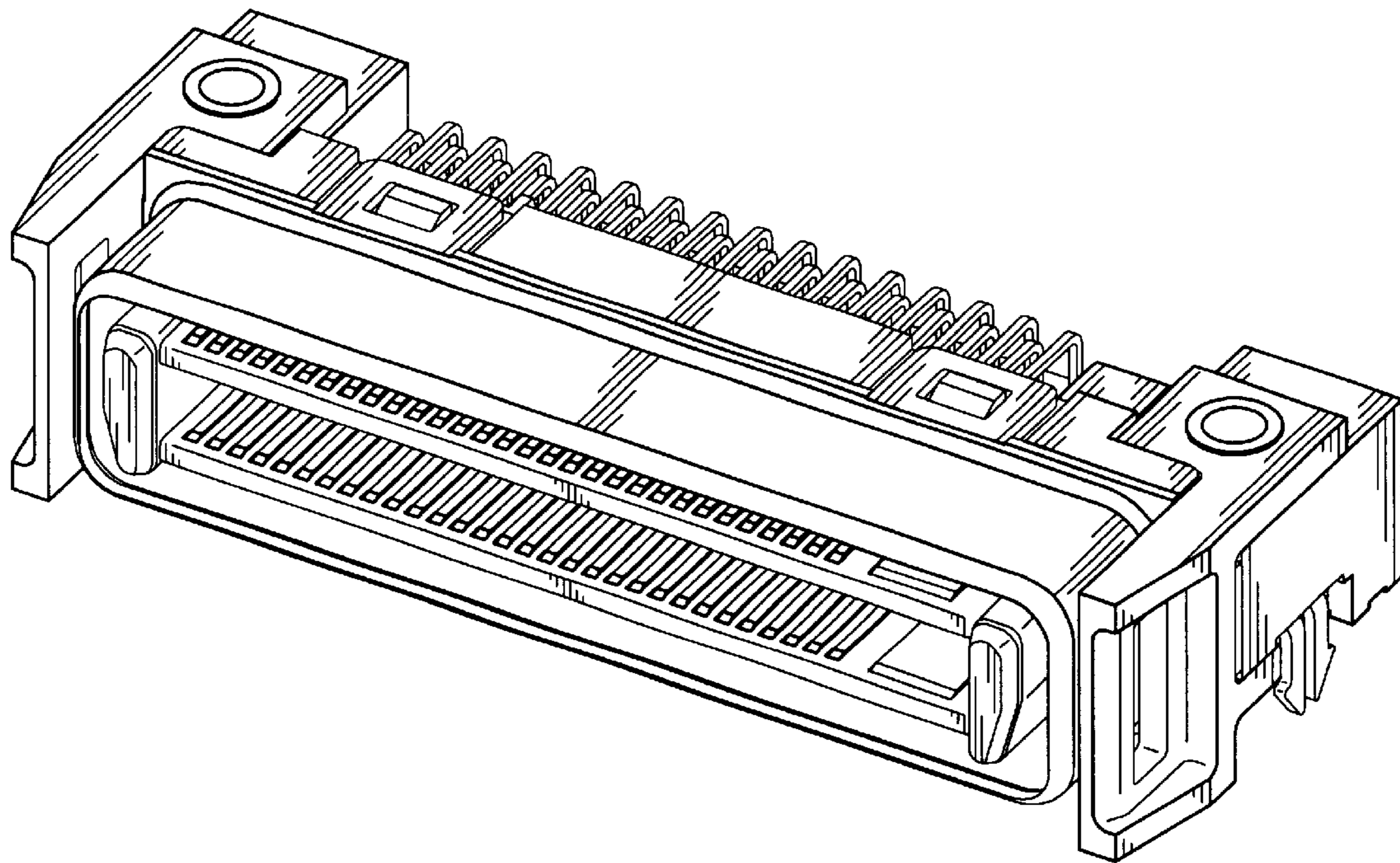


FIG. 1

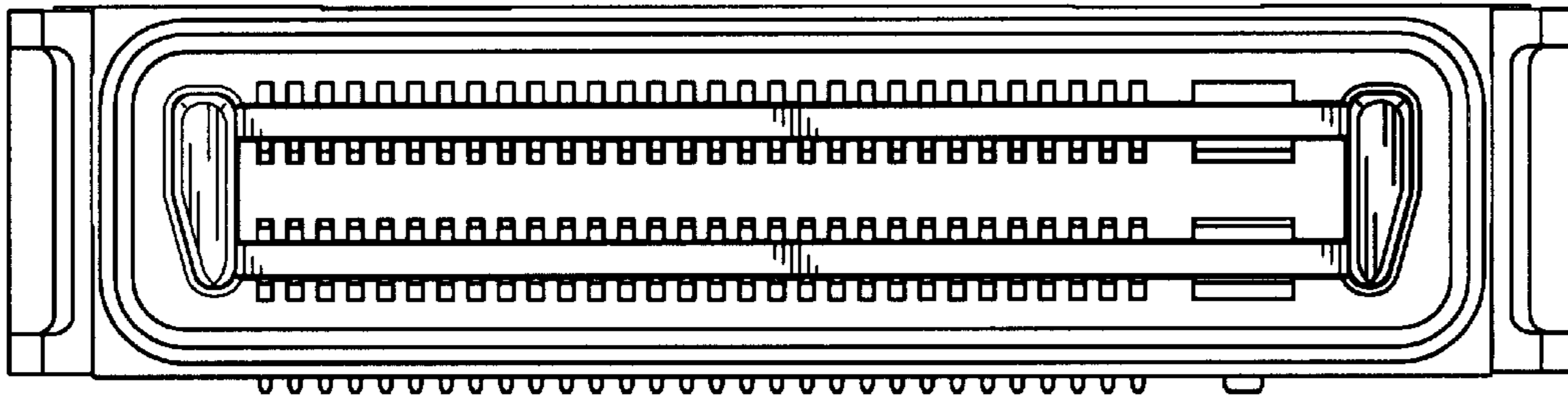


FIG. 2

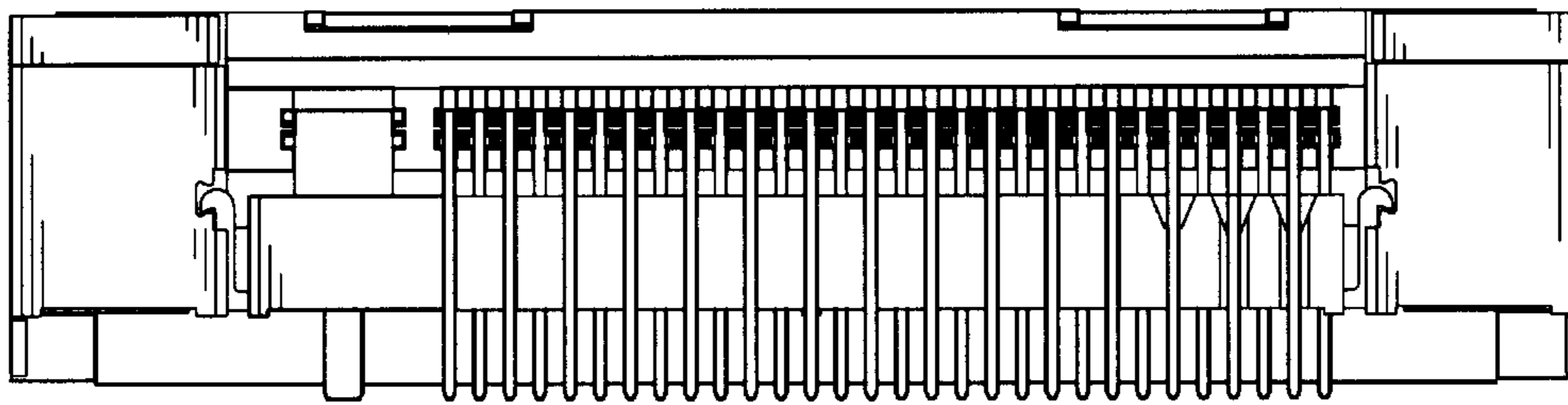


FIG. 3

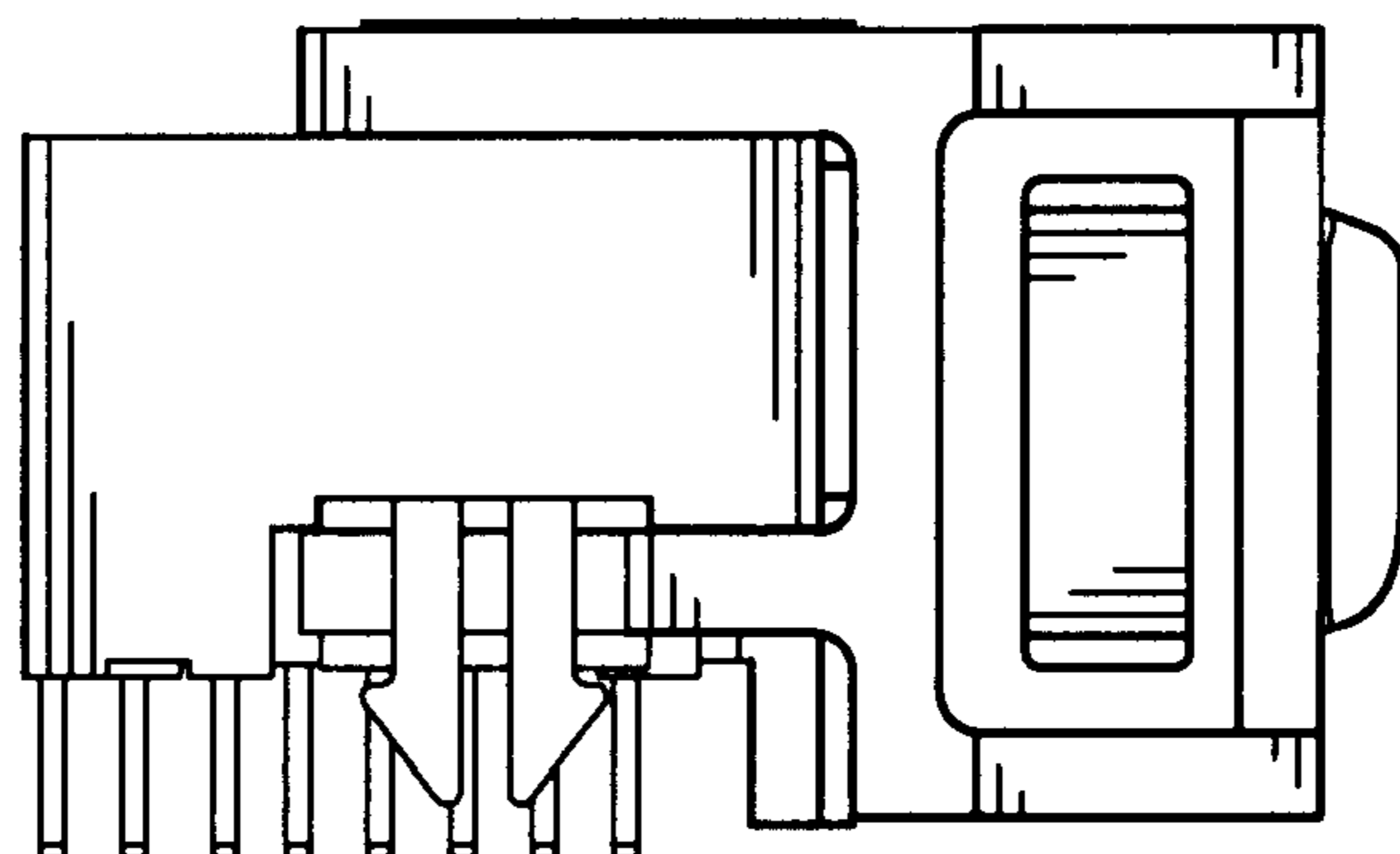


FIG. 4

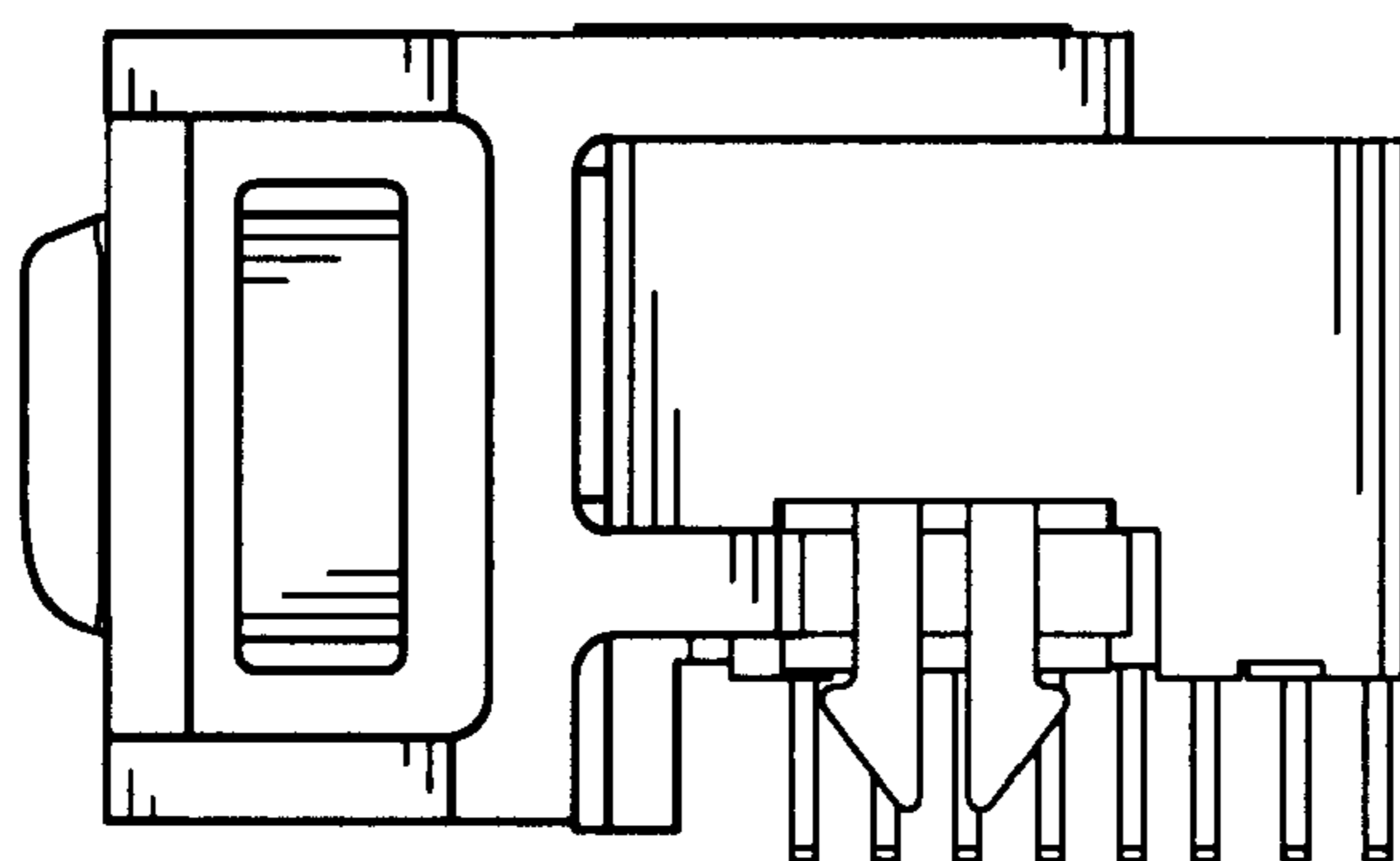


FIG. 5

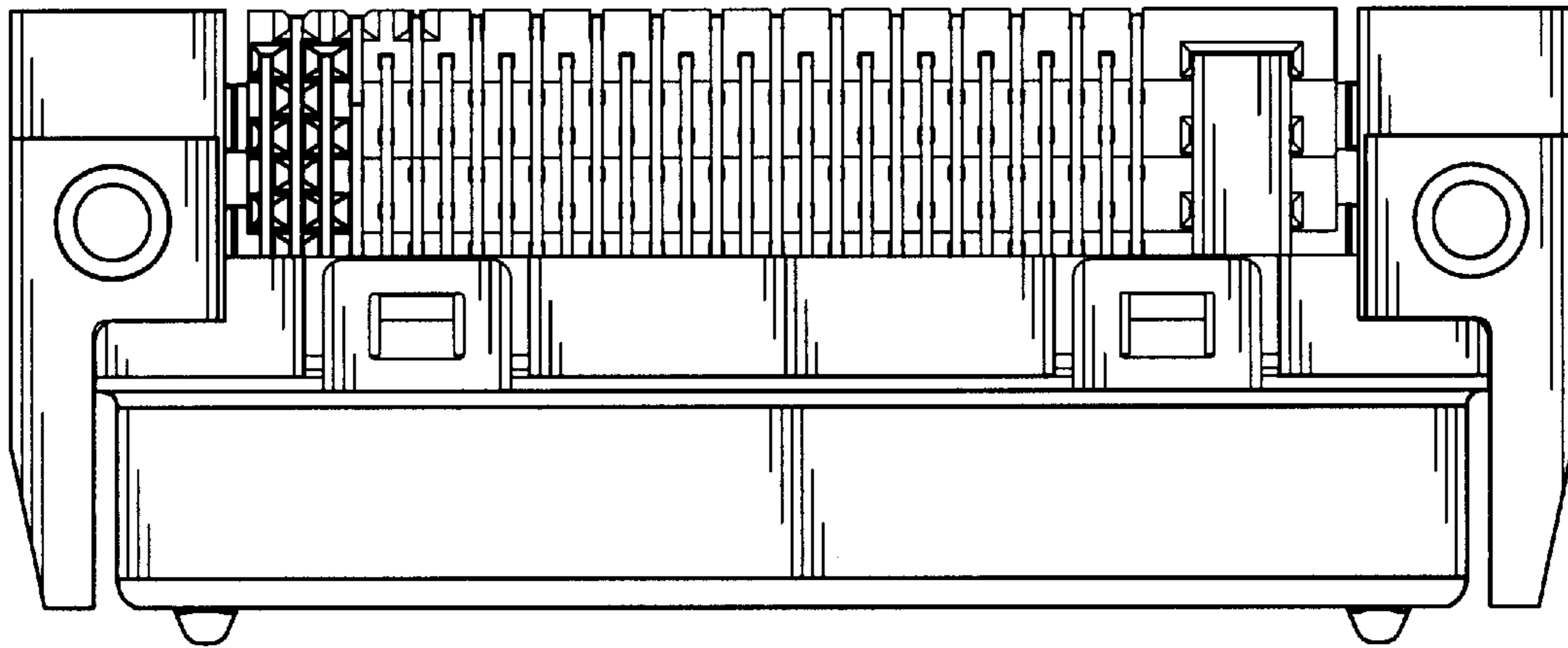


FIG. 6



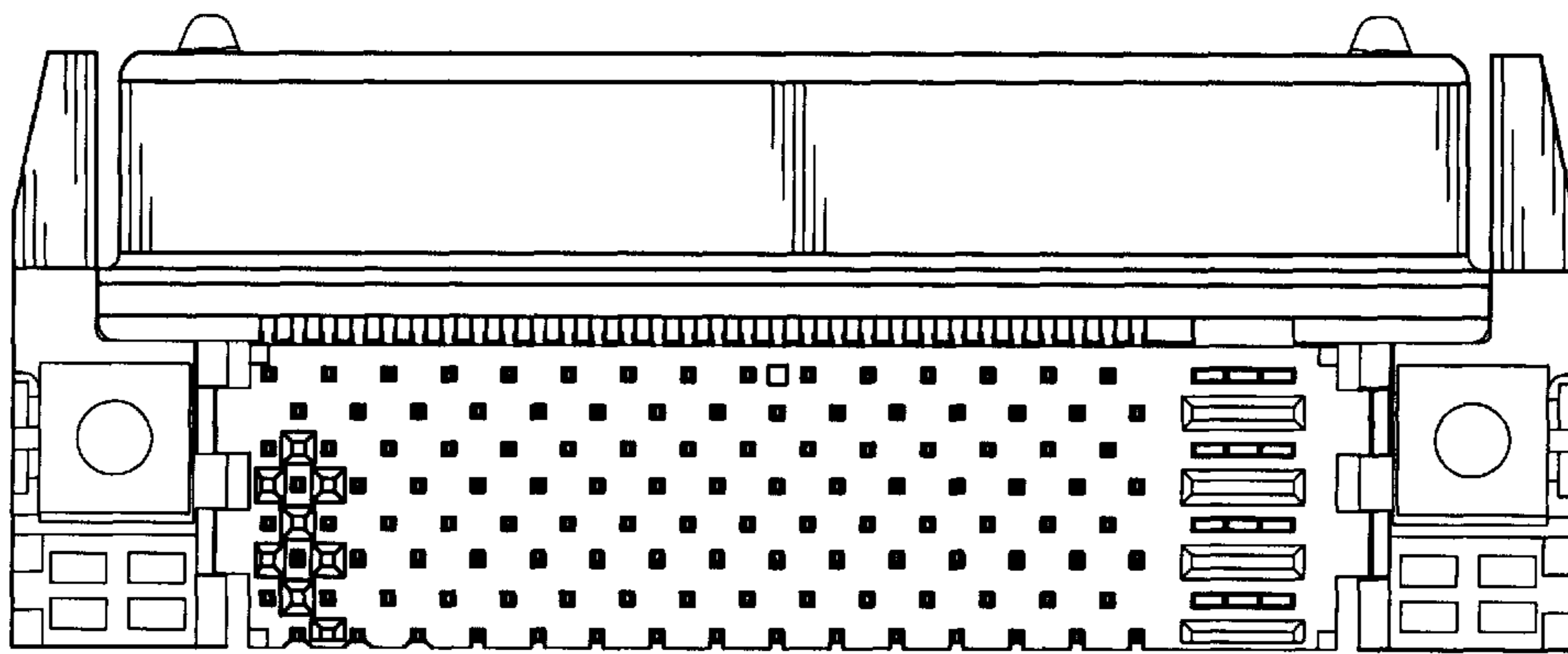


FIG. 7