



US00D518783S

(12) **United States Design Patent**
Takagi et al.

(10) **Patent No.:** **US D518,783 S**

(45) **Date of Patent:** **** Apr. 11, 2006**

(54) **CONNECTOR FOR MEMORY CARD**

(75) Inventors: **Souichi Takagi**, Tama (JP); **Tetsuya Kifune**, Tama (JP)

(73) Assignee: **Mitsumi Electric Co., Ltd.**, Tokyo (JP)

(**) Term: **14 Years**

(21) Appl. No.: **29/212,205**

(22) Filed: **Aug. 30, 2004**

(30) **Foreign Application Priority Data**

Apr. 27, 2004 (JP) 2004-012706

(51) **LOC (8) Cl.** **13-03**

(52) **U.S. Cl.** **D13/147**

(58) **Field of Classification Search** D13/133,
D13/146-147, 184, 199; D14/432-433, 435;
439/64, 79, 159-160, 607-610

See application file for complete search history.

(56) **References Cited**

U.S. PATENT DOCUMENTS

- 5,470,237 A * 11/1995 Byczek et al. 439/76.1
- 6,004,155 A * 12/1999 Wu 439/489
- 6,293,464 B1 * 9/2001 Smalley, Jr. 235/451

- 6,409,546 B1 * 6/2002 Ito et al. 439/630
- D482,692 S * 11/2003 Nishio et al. D14/433
- D488,444 S * 4/2004 Motojima D13/147
- 6,929,513 B1 * 8/2005 Fan 439/630
- 2004/0127079 A1 * 7/2004 Nagata 439/159

* cited by examiner

Primary Examiner—Stella Reid

Assistant Examiner—Daniel Bui

(74) *Attorney, Agent, or Firm*—Sughrue Mion, PLLC

(57) **CLAIM**

The ornamental design for a connector for memory card, as shown.

DESCRIPTION

FIG. 1 is a perspective view of the top, front and right side of a connector for memory card showing our new design; FIG. 2 is a perspective view of the bottom, front and left side thereof; FIG. 3 is a front elevational view thereof; FIG. 4 is a rear elevational view thereof; FIG. 5 is a right side elevational view thereof; FIG. 6 is a left side elevational view thereof; FIG. 7 is a top plan view thereof; and, FIG. 8 is a bottom plan view thereof.

1 Claim, 3 Drawing Sheets

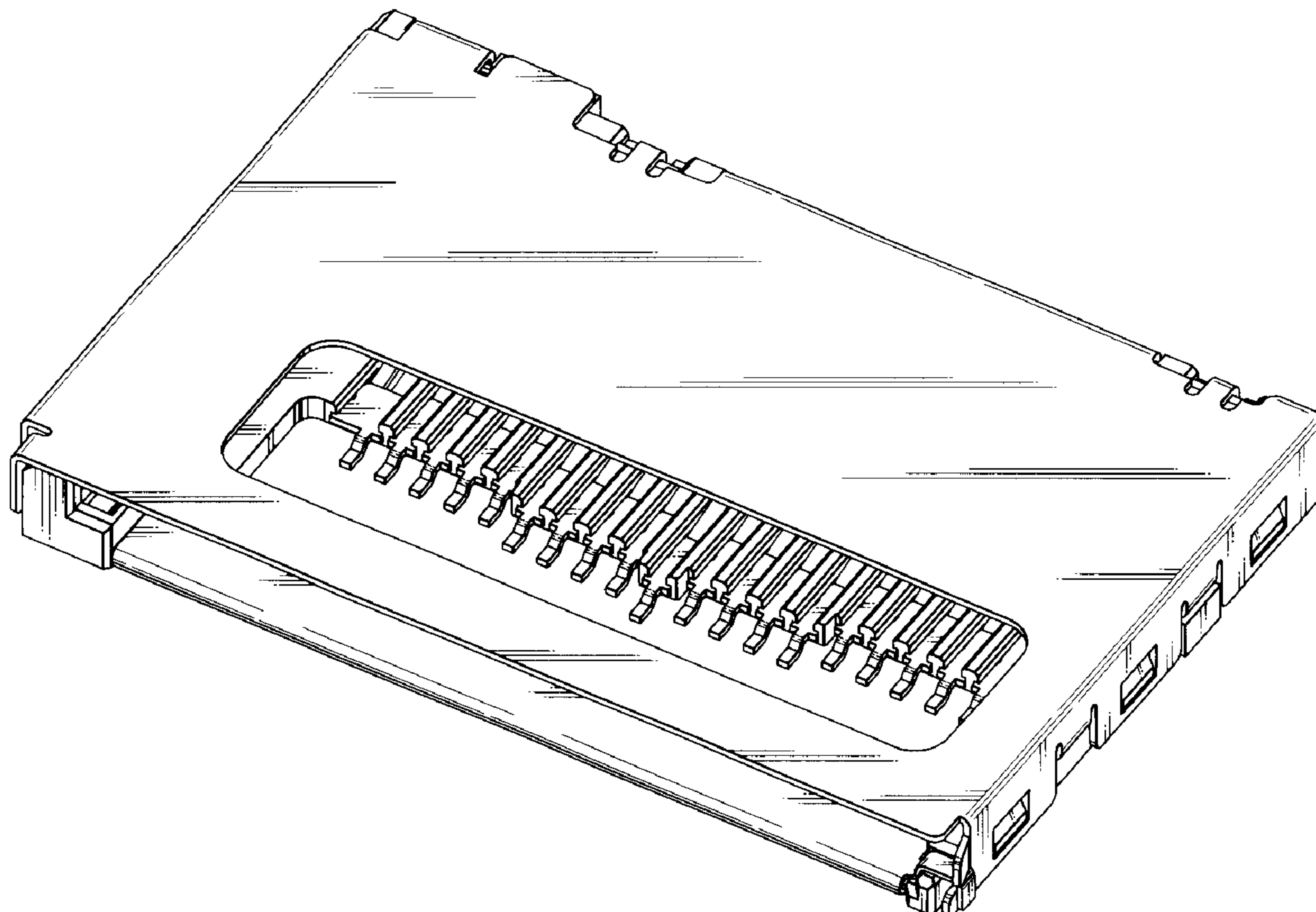


FIG.1

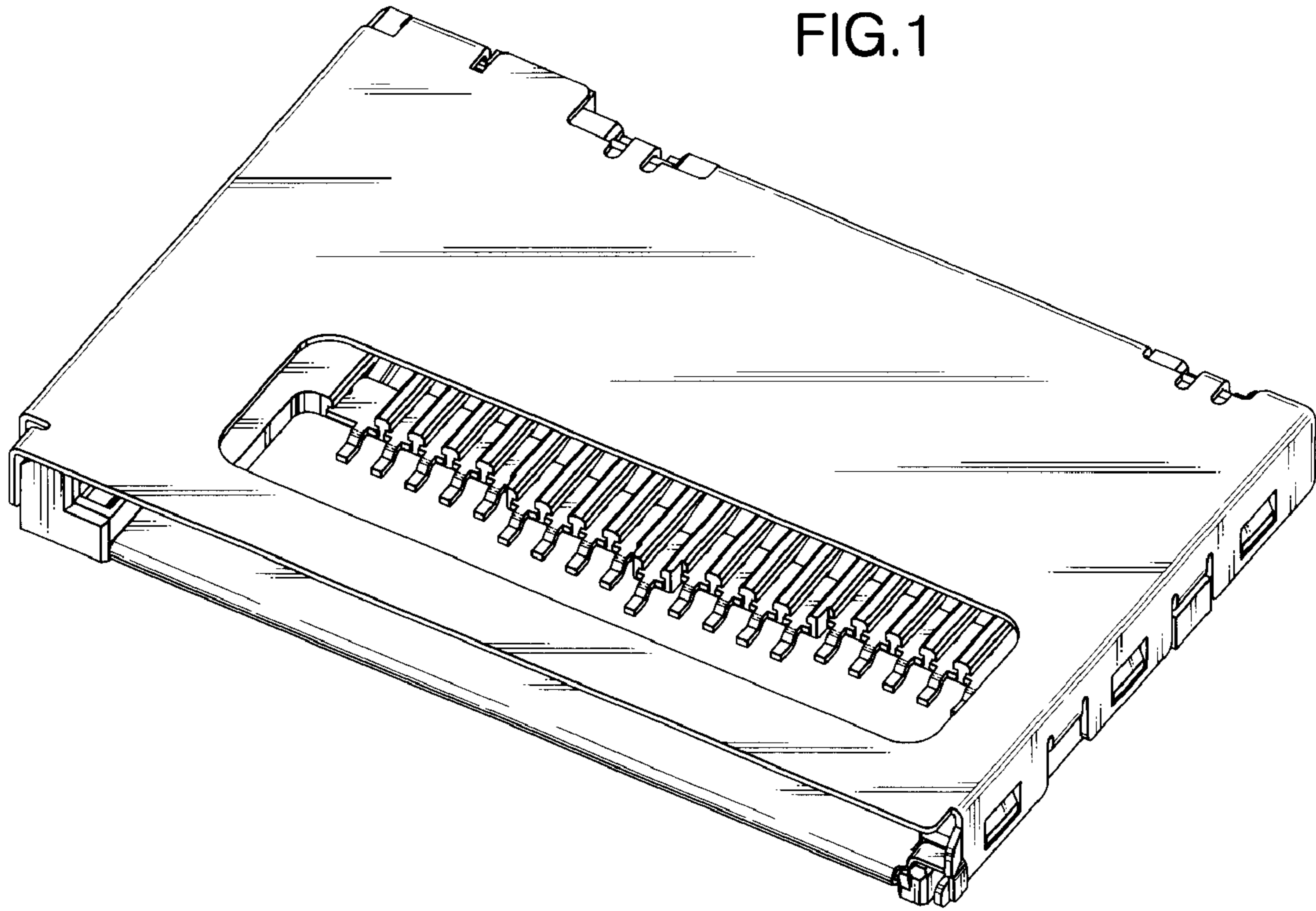


FIG.2

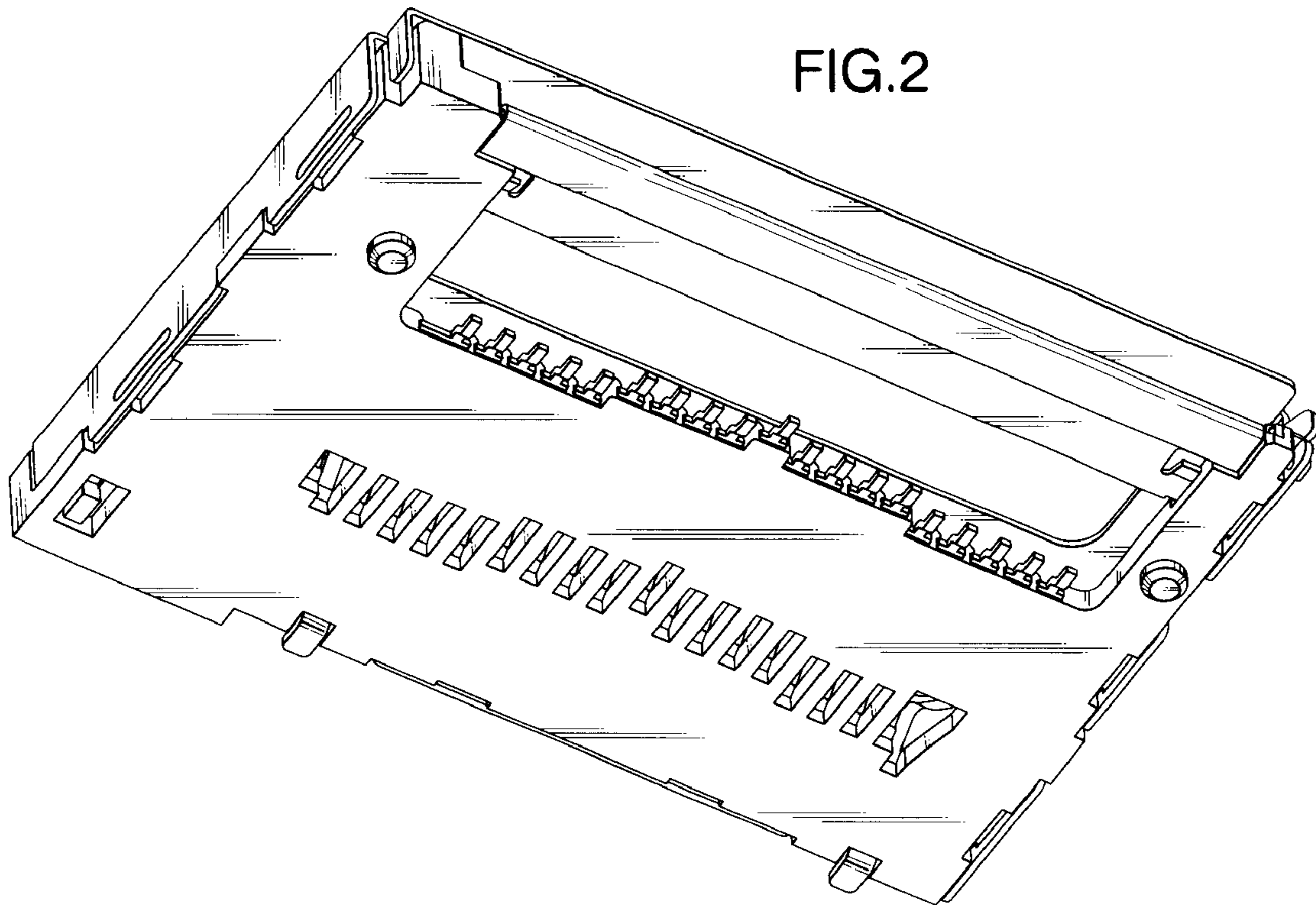


FIG.3

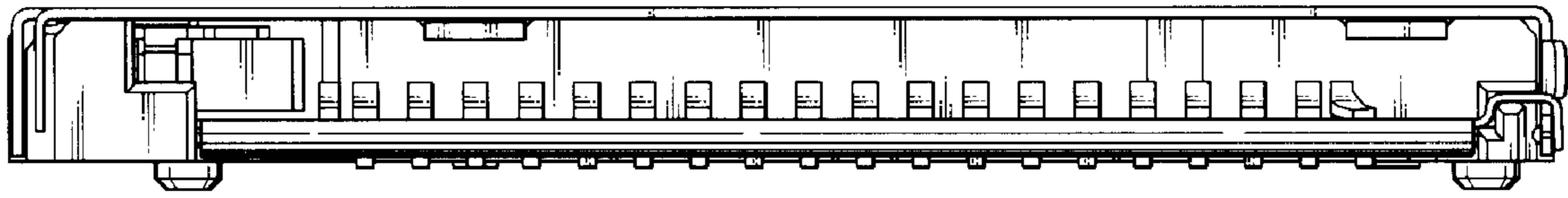


FIG.4

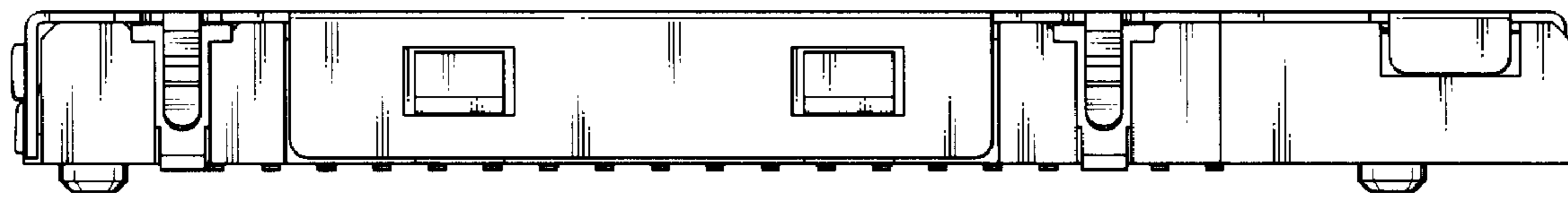


FIG.5

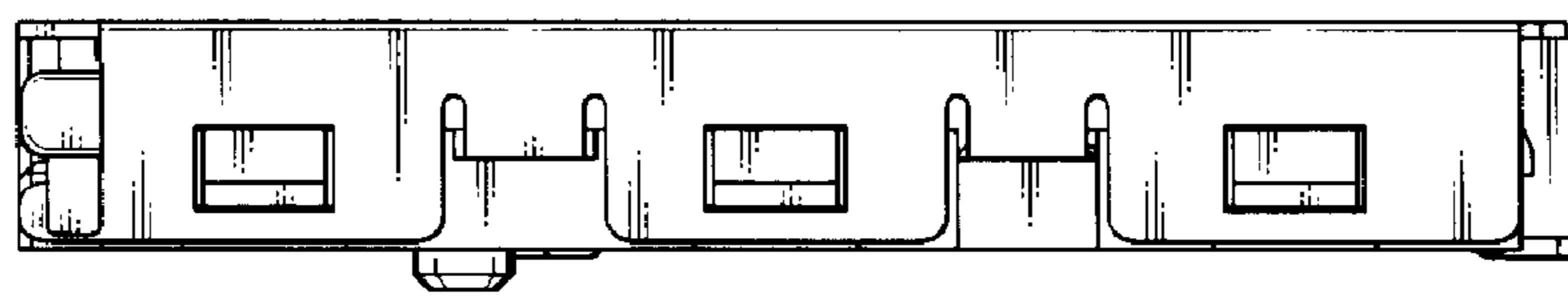


FIG.6

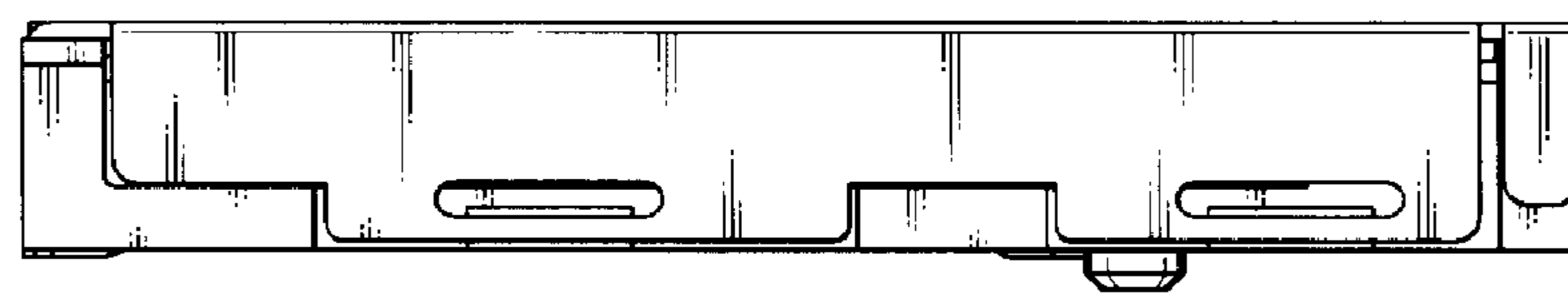


FIG.7

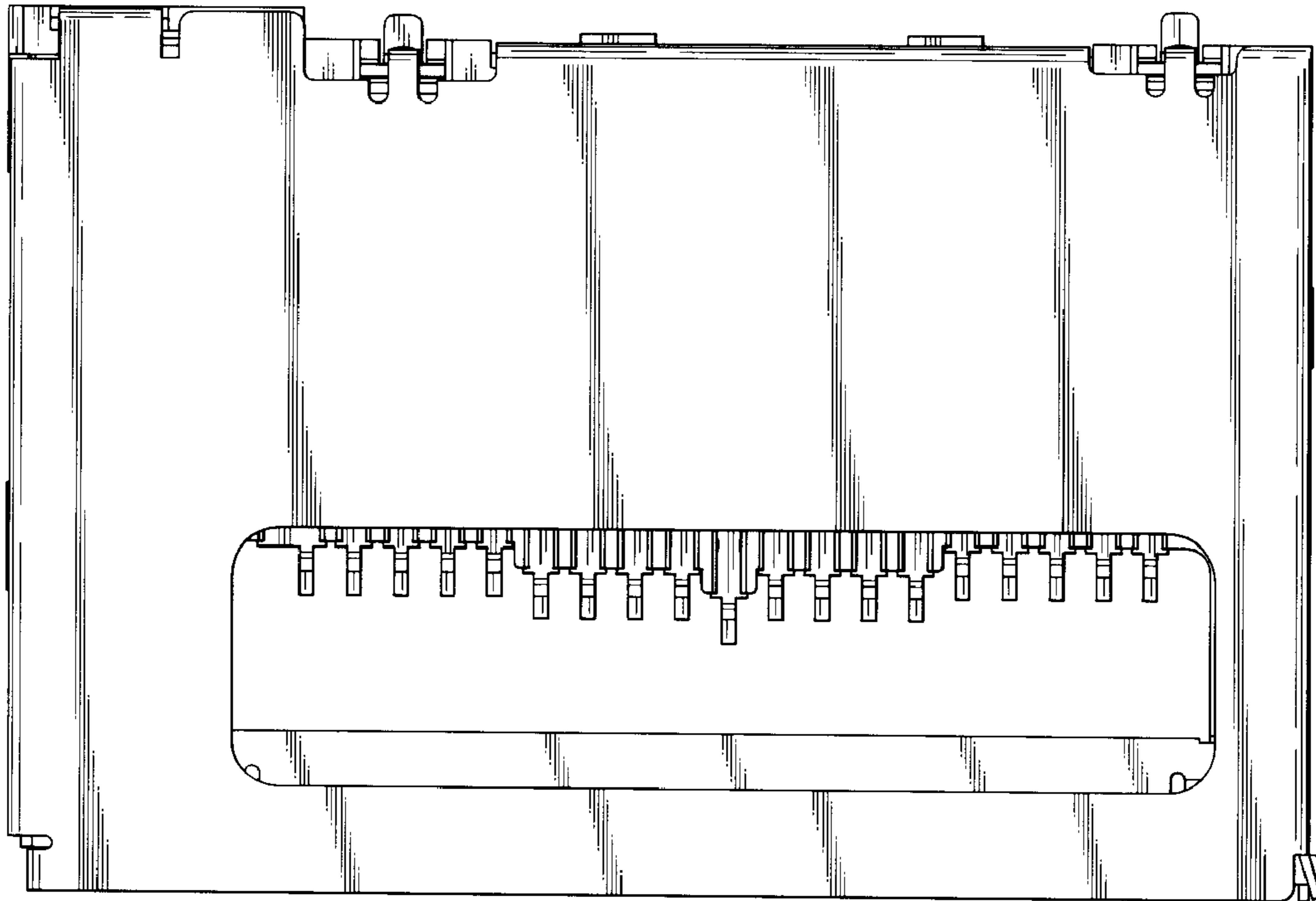


FIG.8

