

US00D518782S

(12) **United States Design Patent** (10) **Patent No.:** **US D518,782 S**  
**Su** (45) **Date of Patent:** **\*\* Apr. 11, 2006**

(54) **RECEPTACLE CONNECTOR**

(75) Inventor: **Chia Sheng Su, Tucheng (TW)**

(73) Assignee: **Cheng Uei Precision Industry Co., Ltd., Taipei (TW)**

(\*\*) Term: **14 Years**

(21) Appl. No.: **29/211,840**

(22) Filed: **Aug. 24, 2004**

(51) **LOC (8) Cl.** ..... **13-03**

(52) **U.S. Cl.** ..... **D13/147**

(58) **Field of Classification Search** ..... D13/133,  
D13/146-147, 184, 199; 439/61-62, 79,  
439/83, 181, 492, 607, 630, 632, 634, 637,  
439/660

See application file for complete search history.

(56) **References Cited**

**U.S. PATENT DOCUMENTS**

D327,252 S	*	6/1992	Moriai et al.	.....	D13/147
D408,788 S	*	4/1999	Homma	.....	D13/147
D416,863 S	*	11/1999	Sato et al.	.....	D13/147
D416,865 S	*	11/1999	Chiou	.....	D13/147
D418,479 S	*	1/2000	Chiou	.....	D13/147
6,083,046 A	*	7/2000	Wu et al.	.....	439/607

D431,531 S	*	10/2000	Chih	.....	D13/147
D452,845 S	*	1/2002	Hiramoto et al.	.....	D13/147
D488,446 S	*	4/2004	Sato	.....	D13/147
2004/0161974 A1	*	8/2004	Lang et al.	.....	439/607
2005/0032433 A1	*	2/2005	Lee et al.	.....	439/660
2005/0064762 A1	*	3/2005	Yu	.....	439/607

\* cited by examiner

*Primary Examiner*—Stella Reid

*Assistant Examiner*—Daniel Bui

(74) *Attorney, Agent, or Firm*—Rosenberg, Klein & Lee

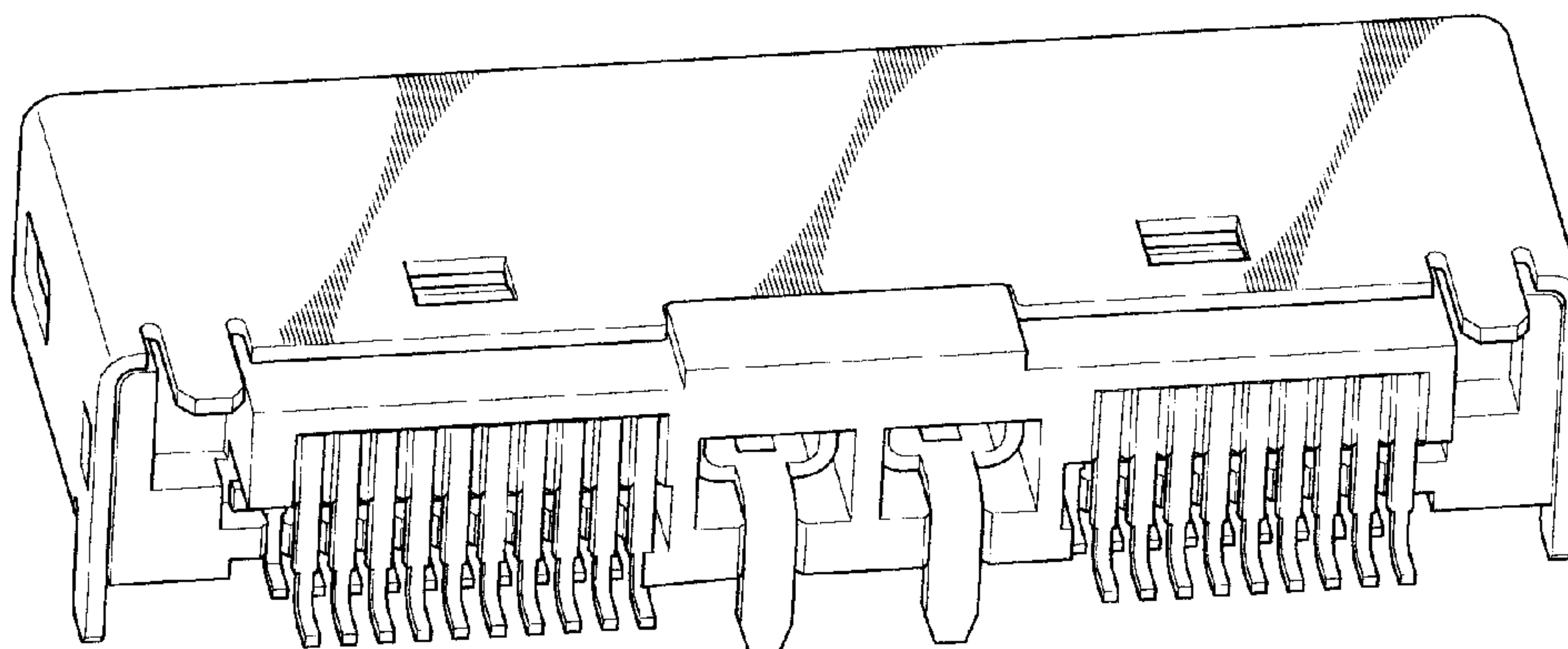
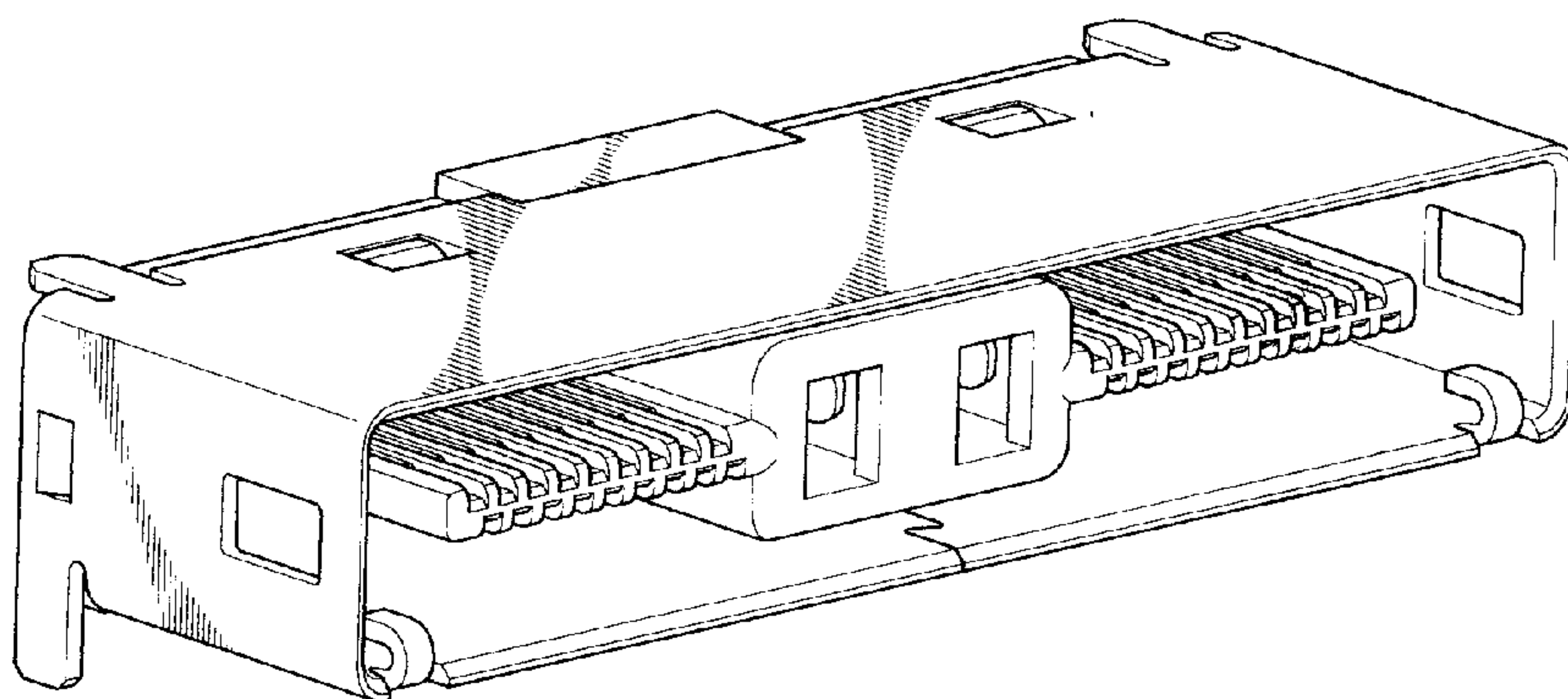
(57) **CLAIM**

The ornamental design for a receptacle connector, as shown and described.

**DESCRIPTION**

FIG. 1 is a top, front and left side perspective view of a receptacle connector, showing my new design; FIG. 2 is a top, rear and right side perspective view thereof; FIG. 3 is a front elevational view thereof; FIG. 4 is a rear elevational view thereof; FIG. 5 is a left side elevational view thereof; FIG. 6 is a right side elevational view thereof; FIG. 7 is a top plan view thereof; and, FIG. 8 is a bottom plan view thereof.

**1 Claim, 7 Drawing Sheets**



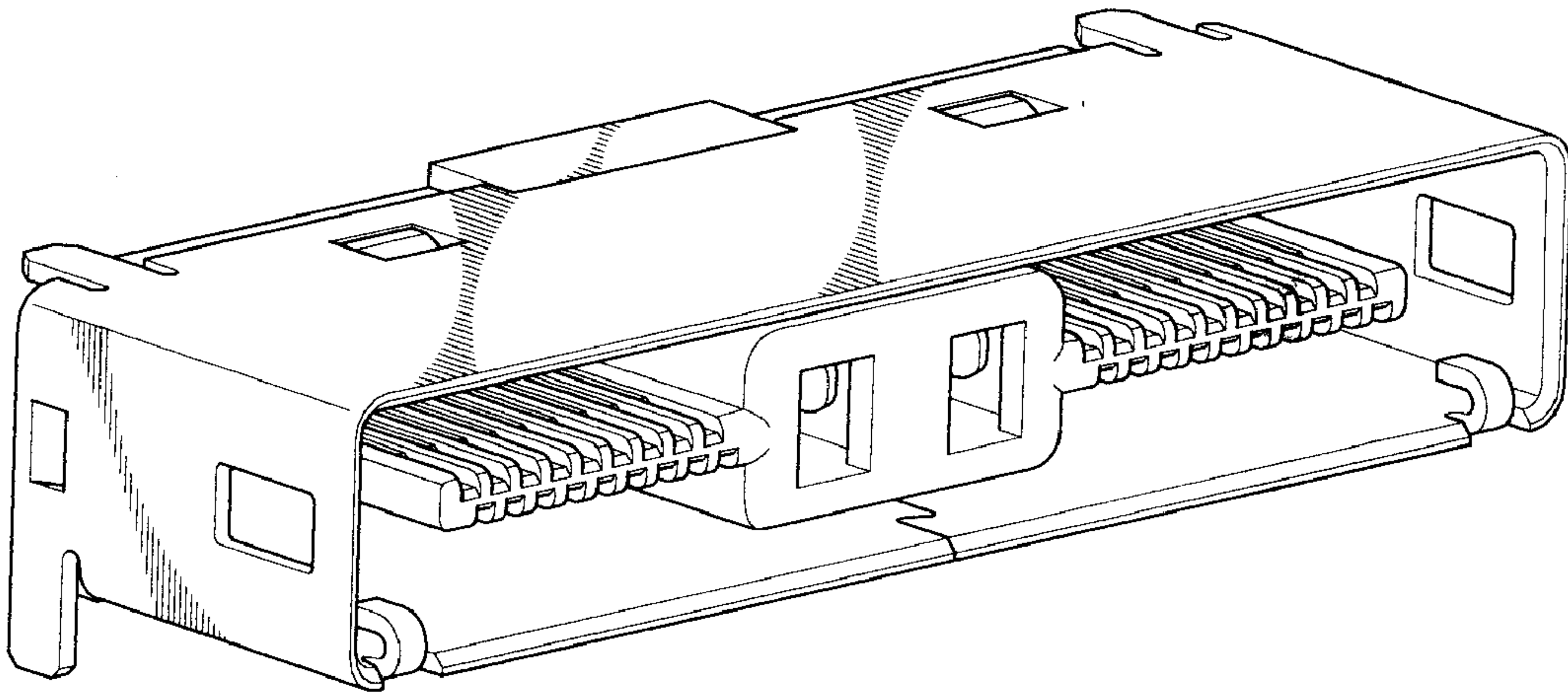


FIG. 1

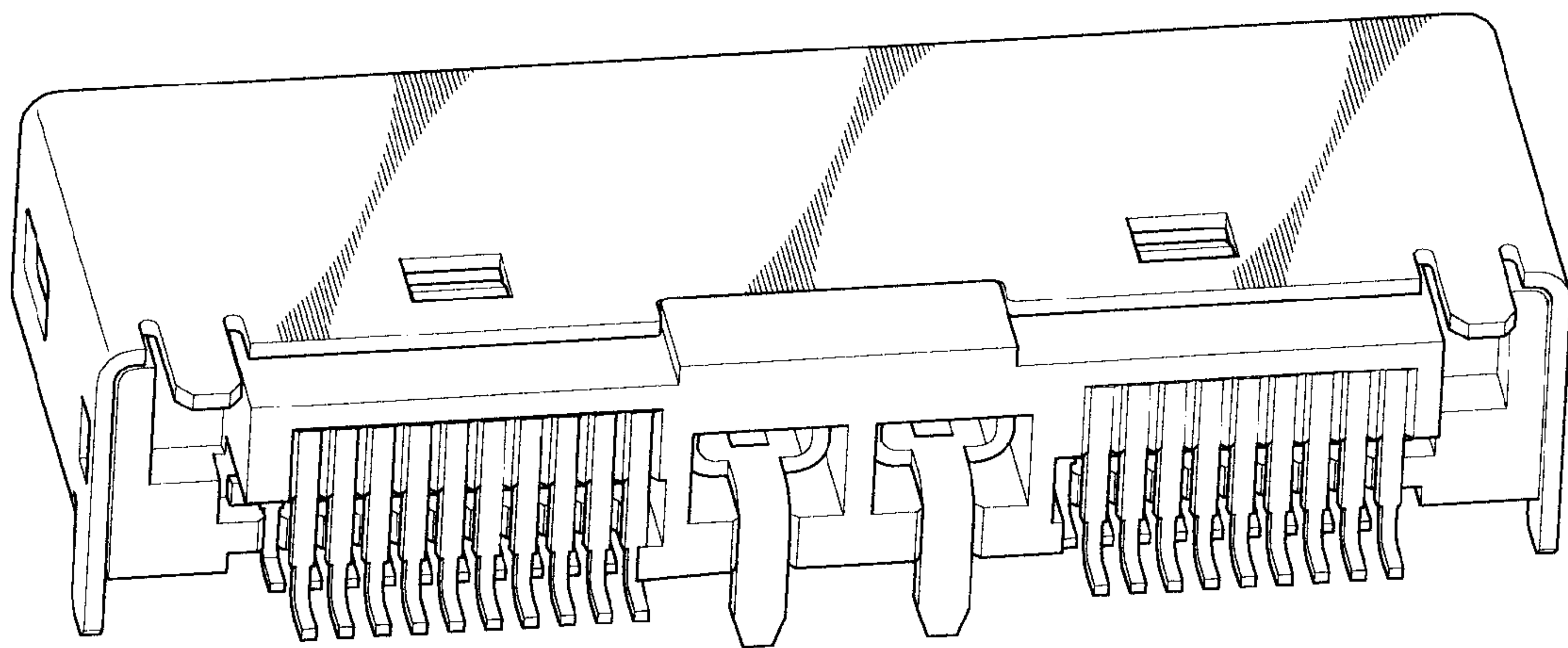


FIG. 2

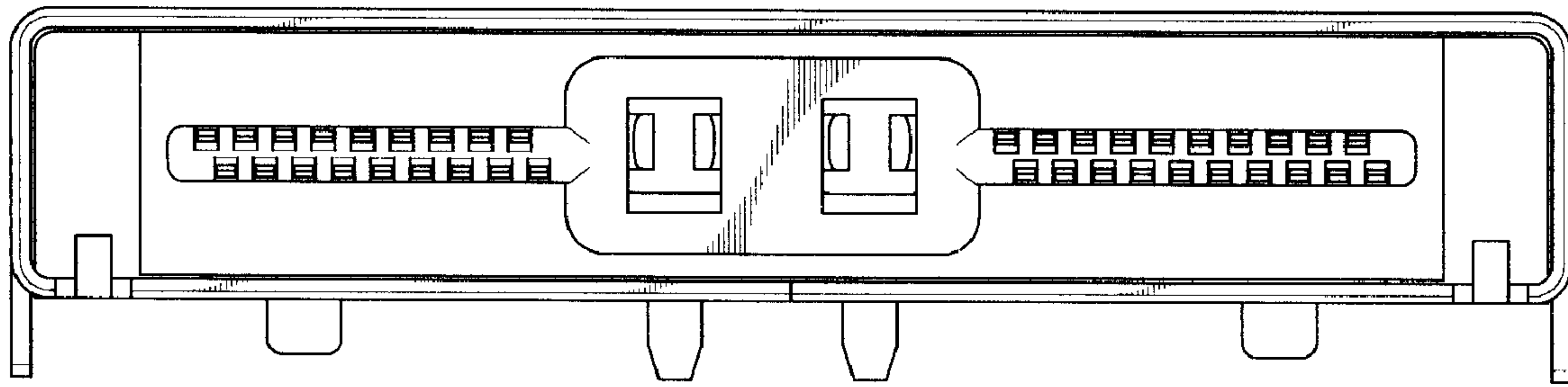


FIG. 3

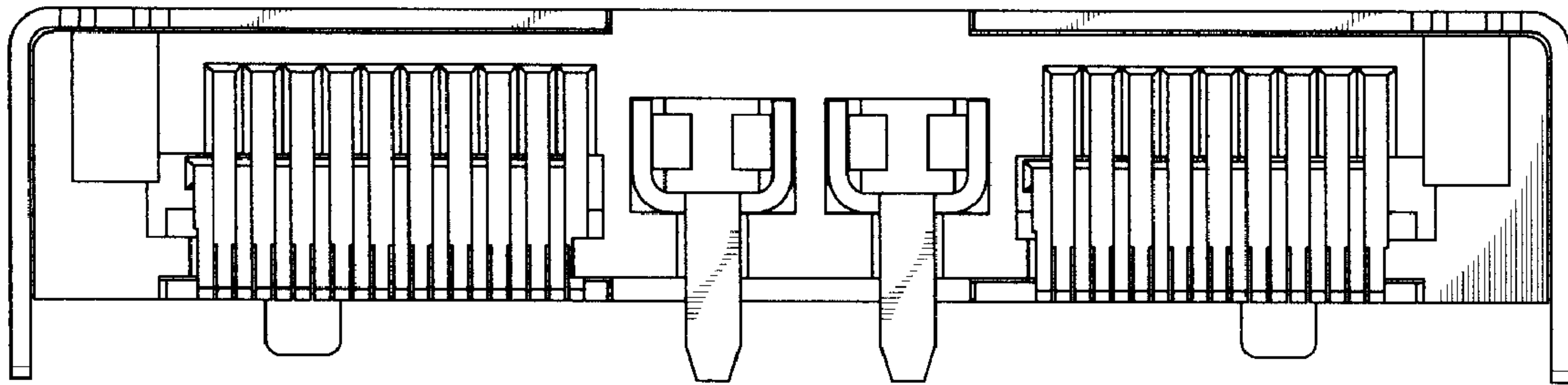


FIG. 4

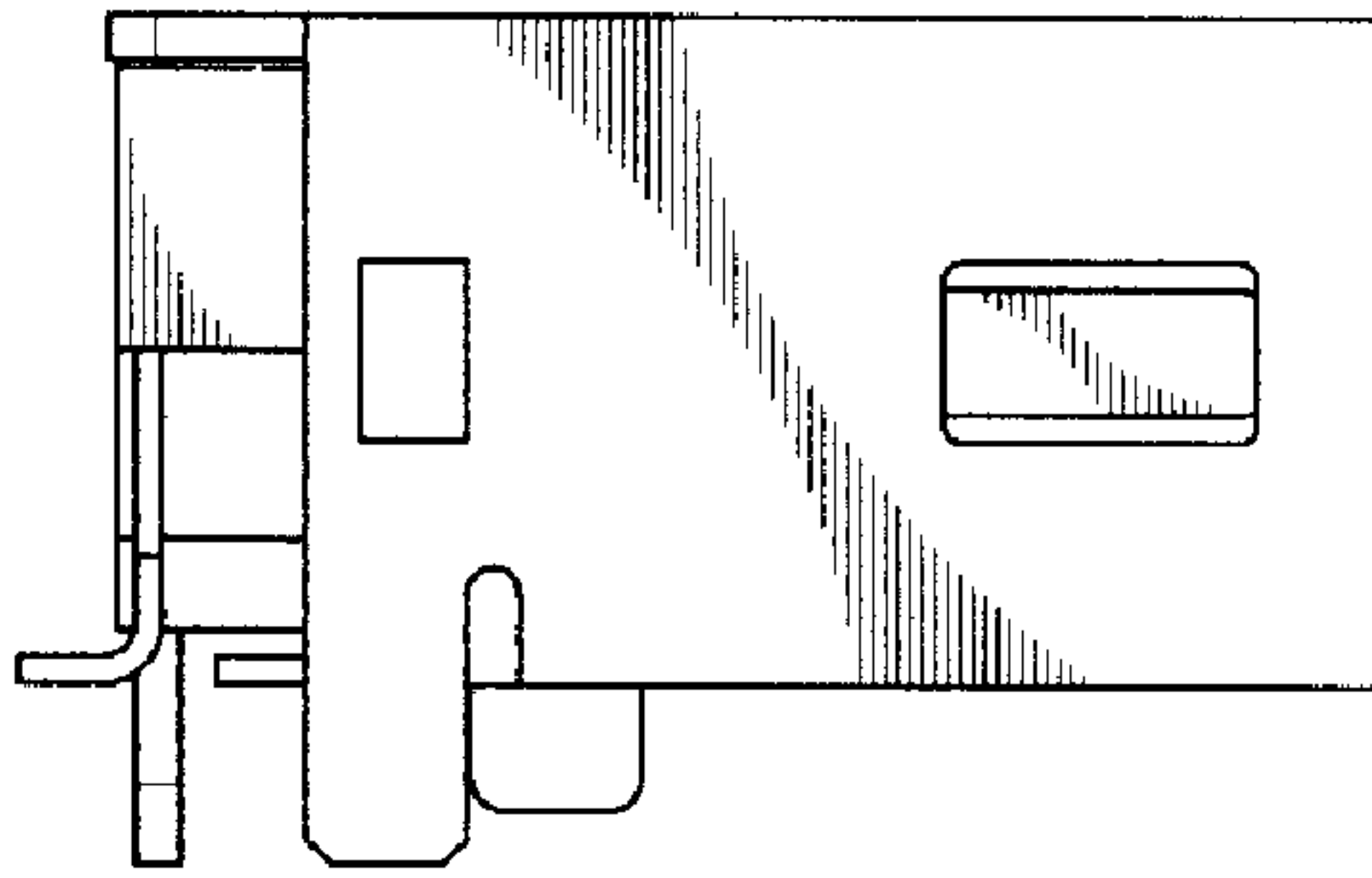


FIG. 5

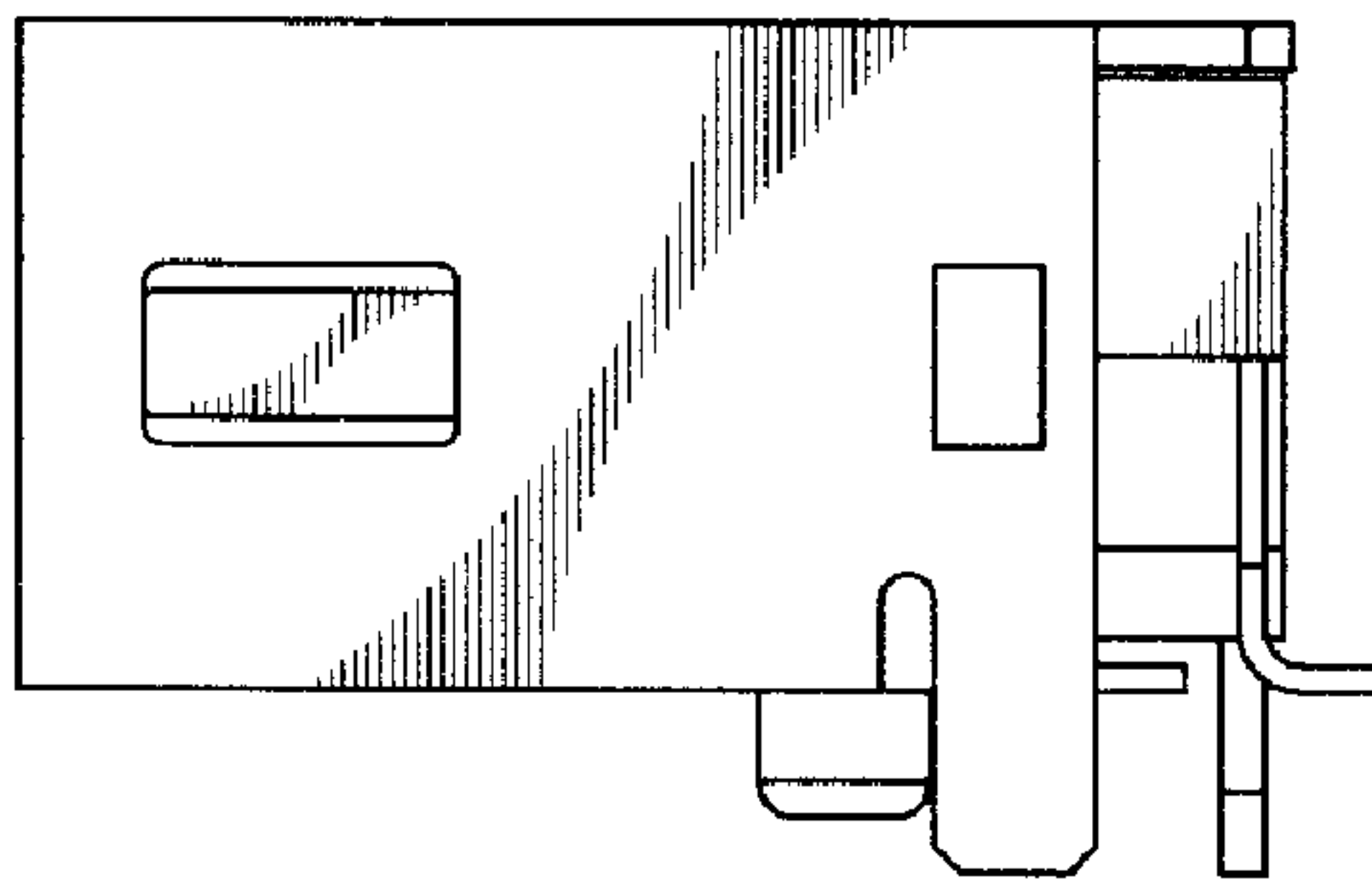


FIG. 6

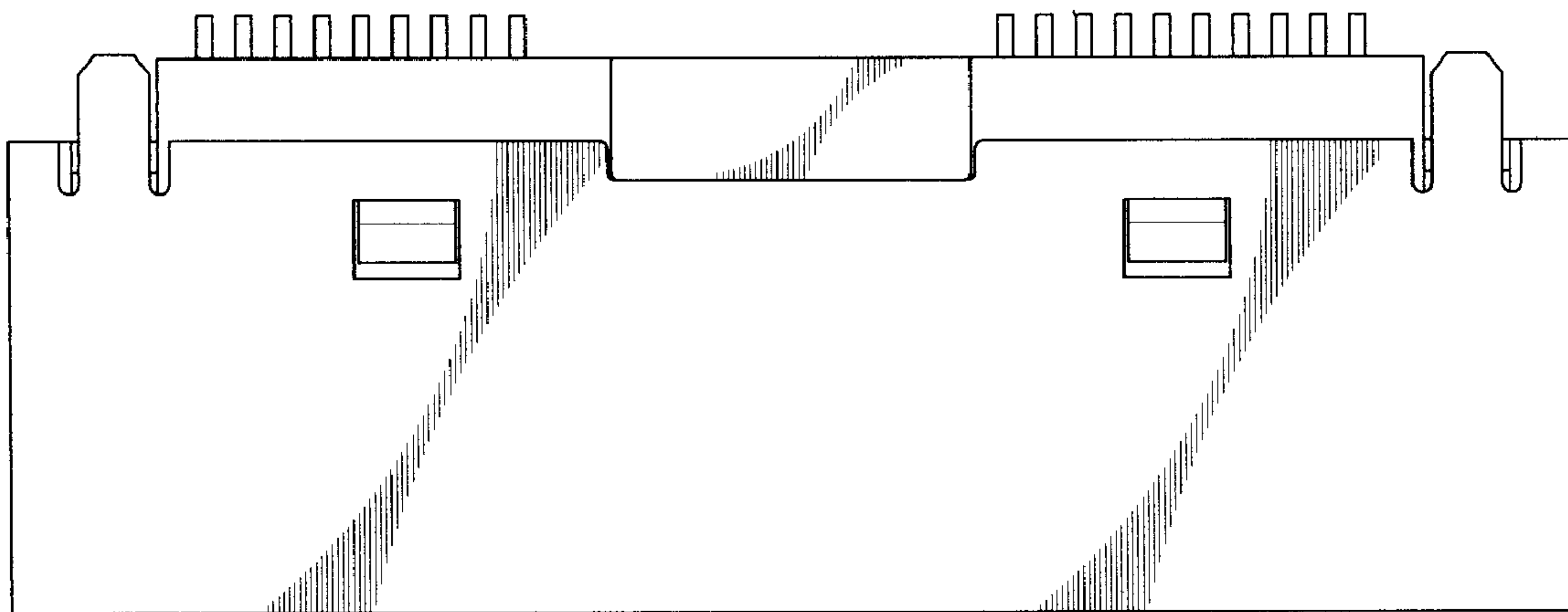


FIG. 7

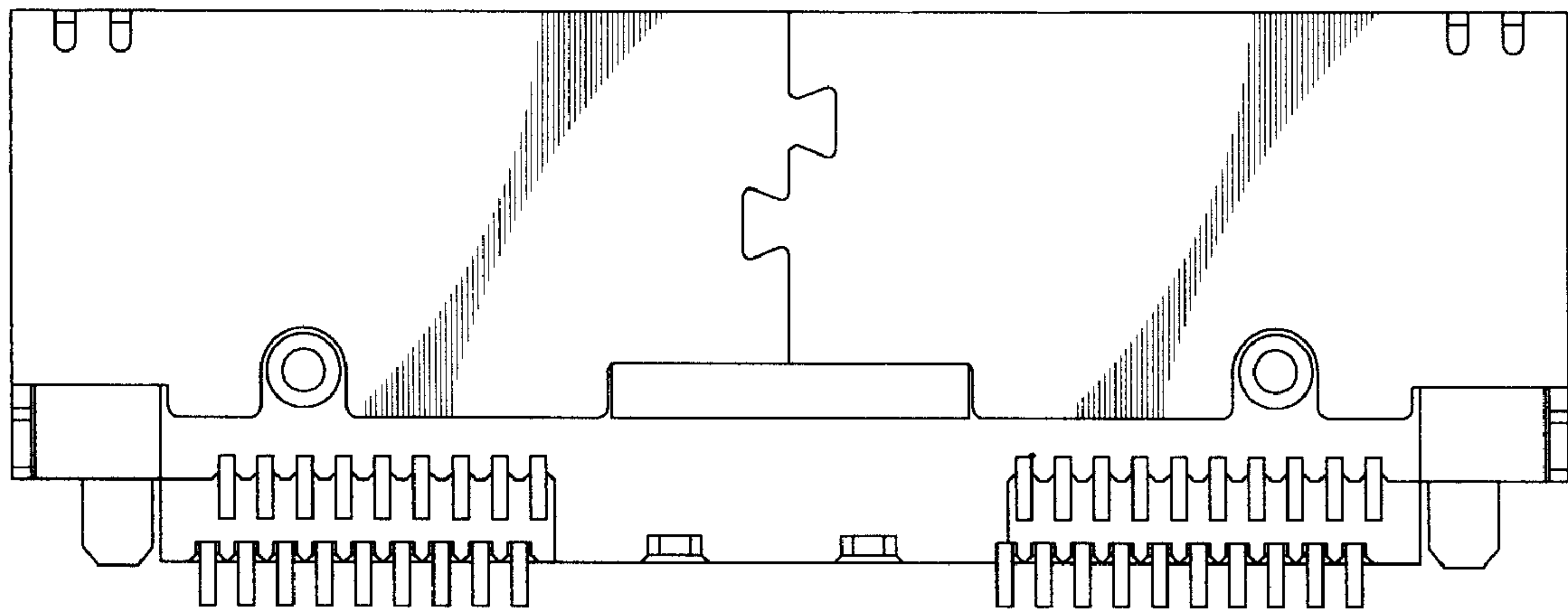


FIG. 8