



US00D518781S

(12) **United States Design Patent**
Wakefield et al.

(10) **Patent No.:** **US D518,781 S**

(45) **Date of Patent:** **** Apr. 11, 2006**

(54) **POWER SURGE PROTECTOR**

(75) Inventors: **Scott H. Wakefield**, Andover, MA
(US); **Ronnie L. Bell**, Nashua, NH
(US); **Greg Fournier**, West Kingston,
RI (US); **Mark H. Germagian**,
Hudson, MA (US)

(73) Assignee: **American Power Conversion**, West
Kingston, RI (US)

(**) Term: **14 Years**

(21) Appl. No.: **29/232,853**

(22) Filed: **Jun. 24, 2005**

Related U.S. Application Data

(62) Division of application No. 29/179,574, filed on Apr. 10,
2003.

(51) **LOC (8) Cl.** **13-03**

(52) **U.S. Cl.** **D13/139.8**

(58) **Field of Classification Search** .. D13/137.1-139.8,
D13/124, 133, 160, 162, 164, 178; 439/107,
439/152-160, 188, 484, 585, 650-654, 692,
439/694

See application file for complete search history.

(56) **References Cited**

U.S. PATENT DOCUMENTS

D356,294 S * 3/1995 Fladung D13/139.8

D399,824 S * 10/1998 Heung et al. D13/139.6
D399,825 S * 10/1998 Heung et al. D13/139.6
D420,602 S * 2/2000 Lamar et al. D10/40
D458,225 S * 6/2002 Stekelenburg D13/139.8
D467,875 S * 12/2002 Barger et al. D13/139.8
D489,685 S * 5/2004 Yu D13/139.8
D495,658 S * 9/2004 Cho D13/137.3

* cited by examiner

Primary Examiner—Alan P. Douglas

Assistant Examiner—Rosemary Tarcza

(74) *Attorney, Agent, or Firm*—Mintz, Levin, Cohn, Ferris
Glovsky and Popeo, P.C.

(57) **CLAIM**

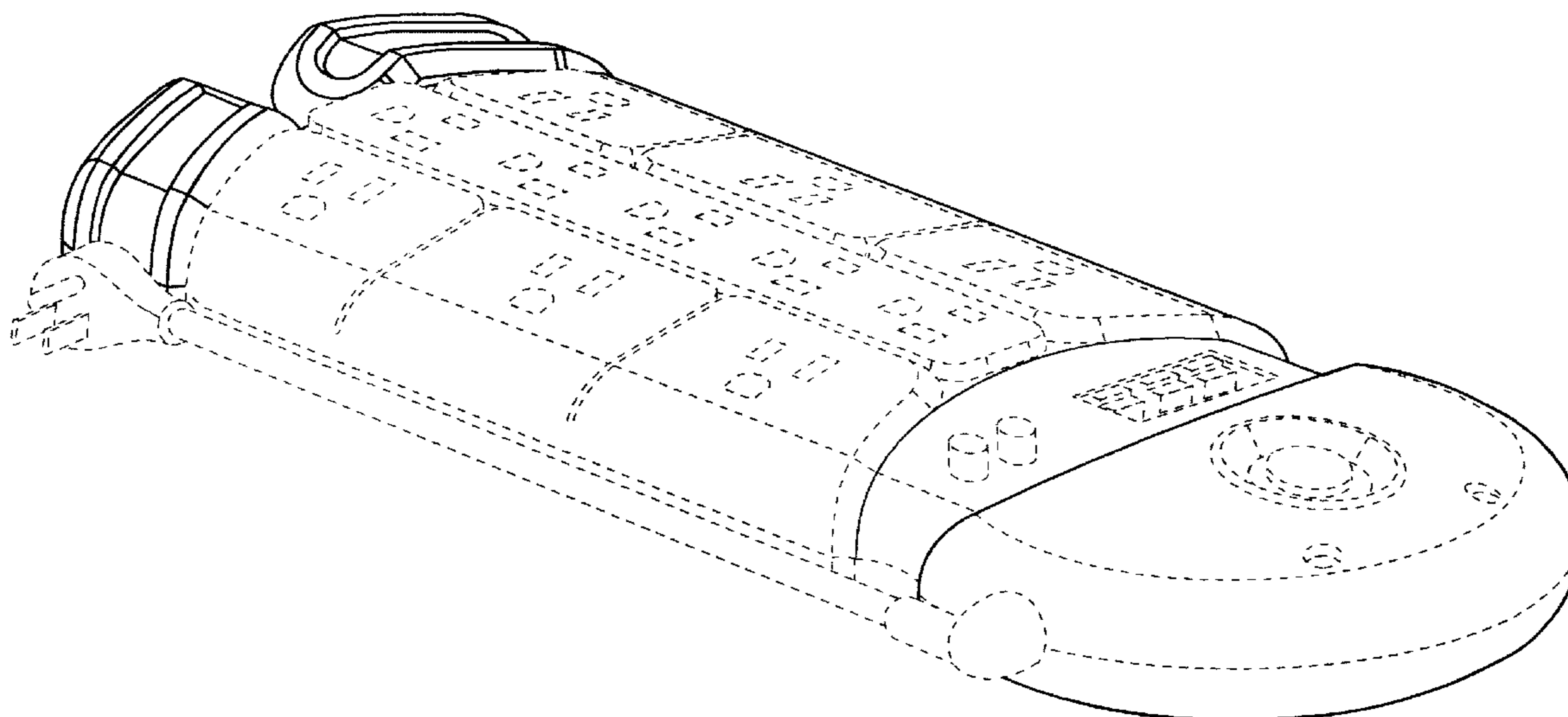
The ornamental design for a power surge protector, as shown
and described.

DESCRIPTION

FIG. 1 is a perspective view of an aspect of our new design;
FIG. 2 is a back view thereof;
FIG. 3 is a front view thereof;
FIG. 4 is a left side view thereof;
FIG. 5 is a right side view thereof;
FIG. 6 is a top view thereof; and,
FIG. 7 is a bottom view thereof.

The ornamental design that is claimed is shown in solid lines
in the drawings. The broken lines in the drawings are for
illustrative purposes only and form no part of the claimed
design.

1 Claim, 4 Drawing Sheets



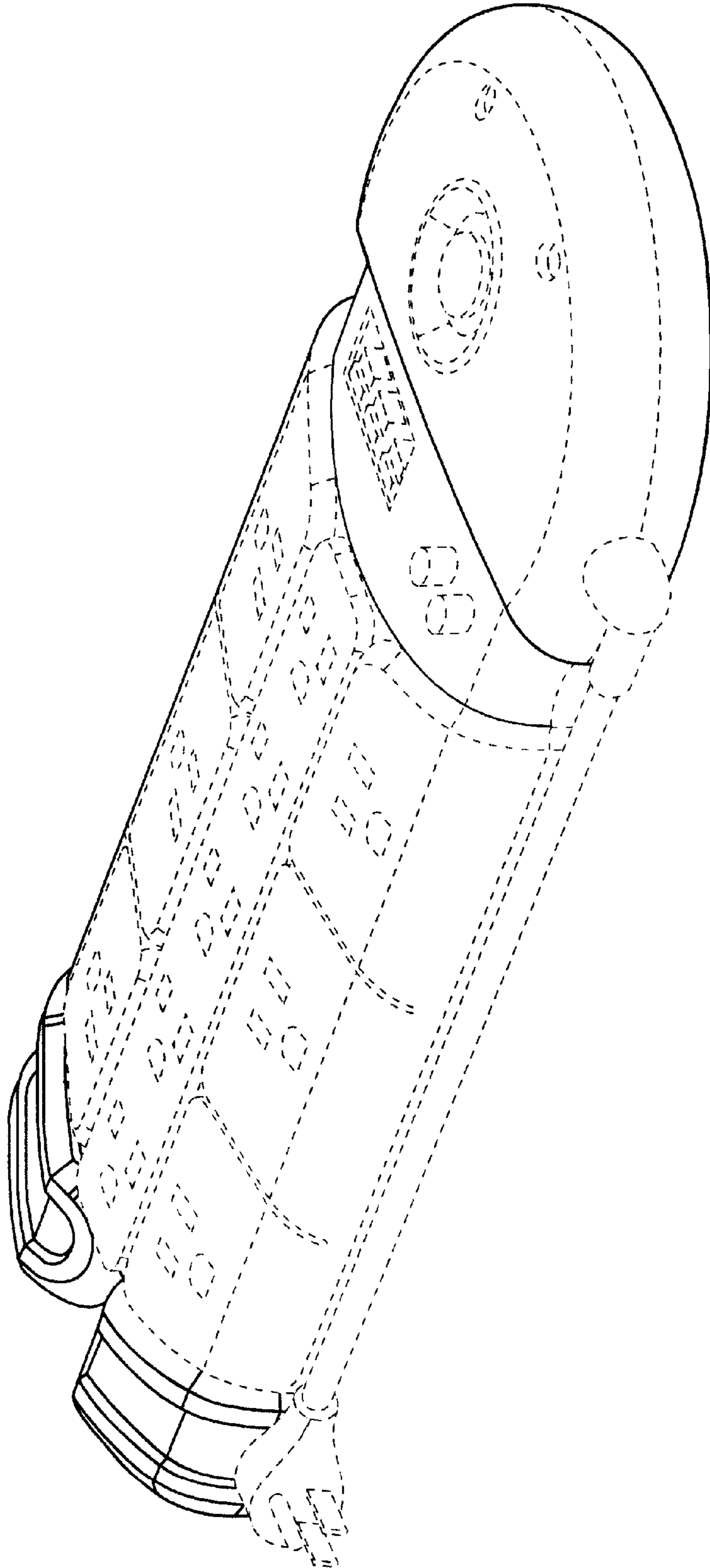


Fig. 1

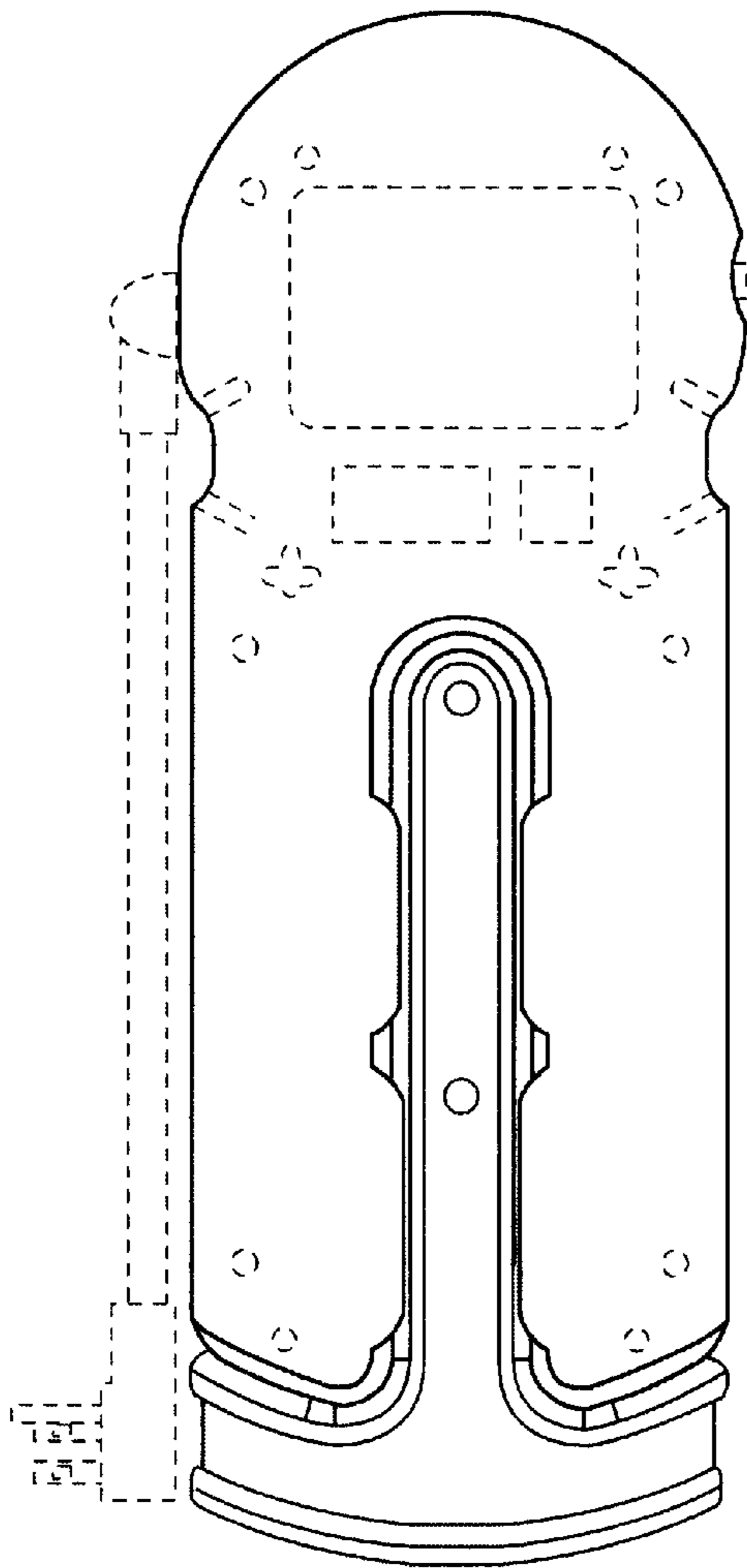


Fig. 2

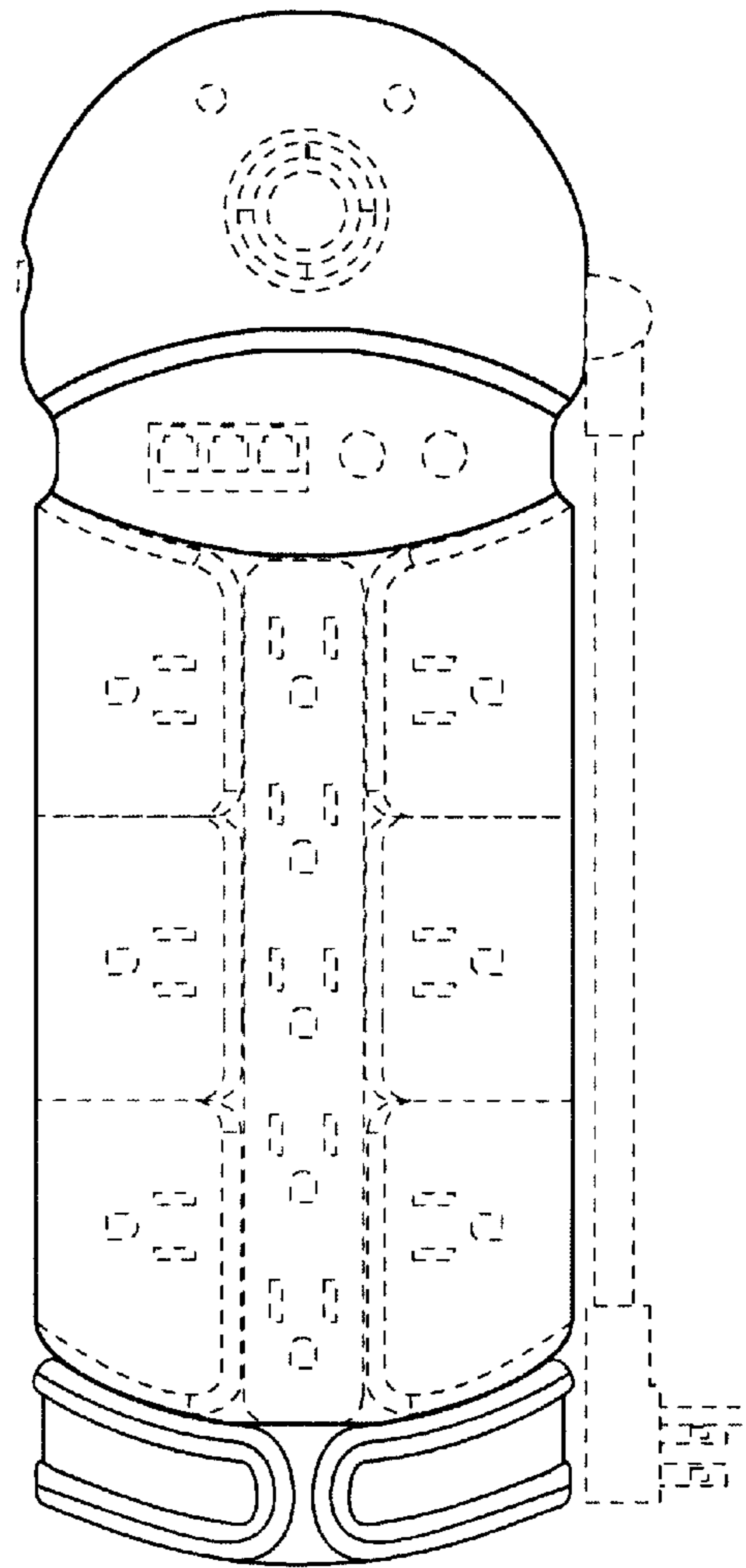


Fig. 3

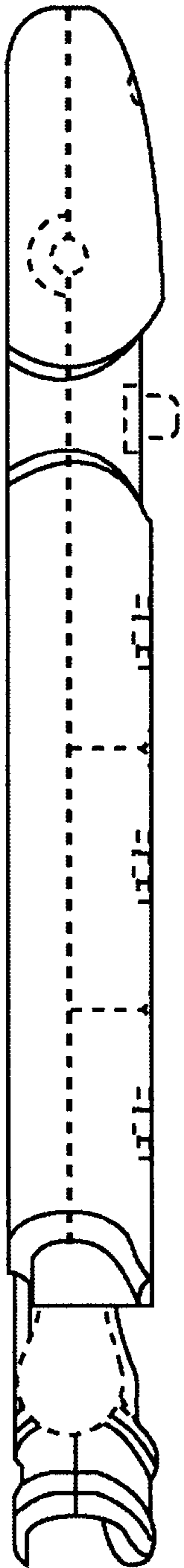


Fig. 4

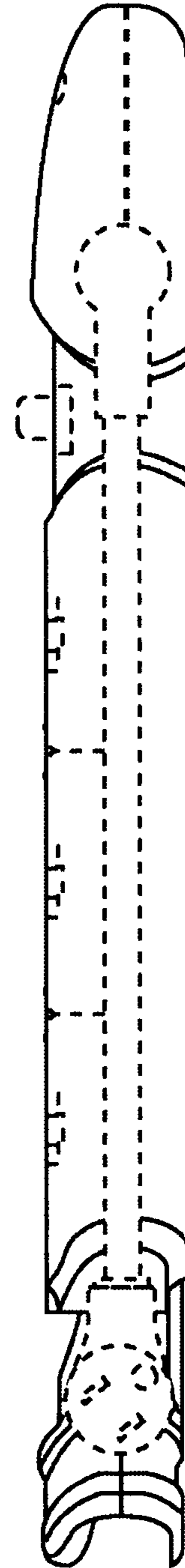


Fig. 5

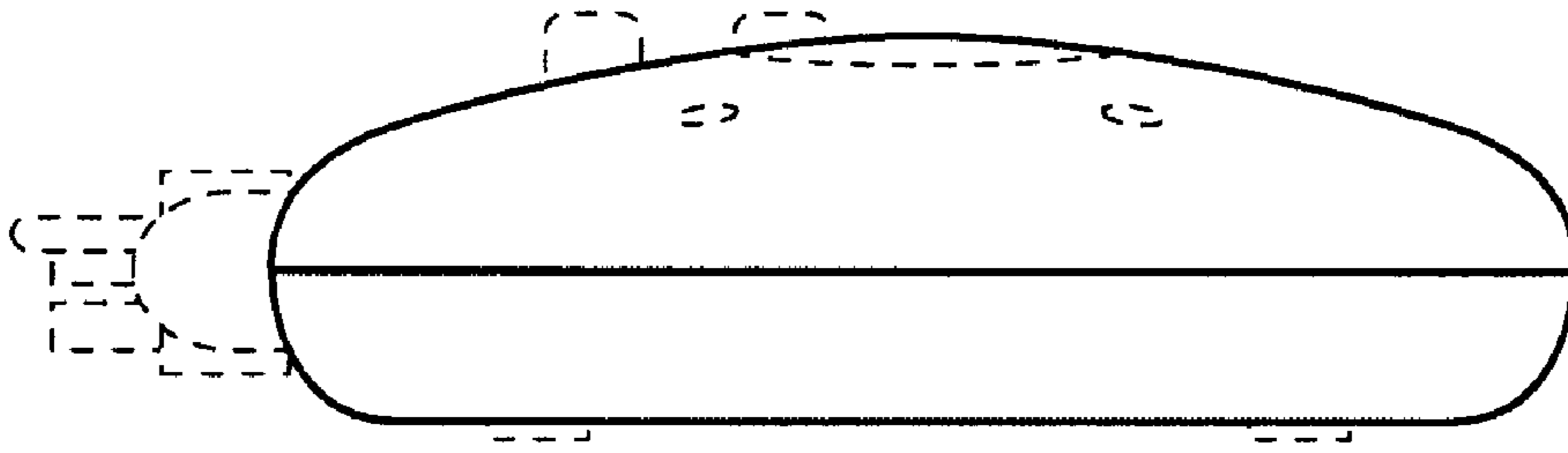


Fig. 6

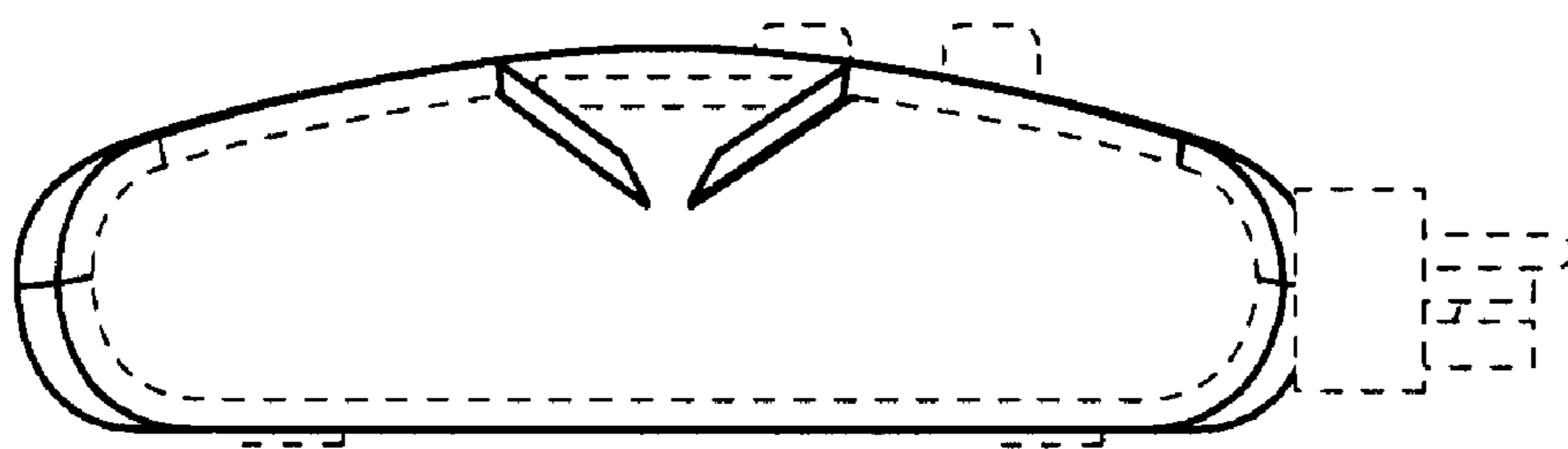


Fig. 7