



US00D518780S

(12) **United States Design Patent**  
**Chang**

(10) **Patent No.:** **US D518,780 S**

(45) **Date of Patent:** **\*\* Apr. 11, 2006**

(54) **SOCKET ASSEMBLY**

(76) Inventor: **Chun Yuan Chang**, P.O. Box 63-99,  
Taichung (TW), 406

(\*\*) Term: **14 Years**

(21) Appl. No.: **29/181,966**

(22) Filed: **May 15, 2003**

(51) **LOC (8) Cl.** ..... **13-03**

(52) **U.S. Cl.** ..... **D13/137.3**

(58) **Field of Classification Search** .. D13/137.1-137.4,  
D13/139.1-139.8, 124, 160, 162, 164, 178;  
361/118-119; 439/106-108, 188, 535, 650-654  
See application file for complete search history.

(56) **References Cited**

**U.S. PATENT DOCUMENTS**

D324,670 S	*	3/1992	Ferraro	.....	D13/137.4
D368,893 S	*	4/1996	Harwood et al.	.....	D13/139.8
5,700,150 A	*	12/1997	Morin	.....	439/4
D390,190 S	*	2/1998	Stekelenburg	.....	D13/139.7
D412,488 S	*	8/1999	Lien	.....	D13/139.8

D440,540 S	*	4/2001	Loh	.....	D13/139.8
D445,090 S	*	7/2001	Payne et al.	.....	D13/139.7
D467,875 S	*	12/2002	Barger et al.	.....	D13/139.8

\* cited by examiner

*Primary Examiner*—Alan P. Douglas

*Assistant Examiner*—Rosemary Tarcza

(74) *Attorney, Agent, or Firm*—Alan D. Kamrath; Nikolai & Mersereau, P.A.

(57) **CLAIM**

The ornamental design for a socket assembly, as shown and described.

**DESCRIPTION**

FIG. 1 is a perspective view of a socket assembly showing my new design;

FIG. 2 is a front elevational view thereof;

FIG. 3 is a rear elevational view thereof;

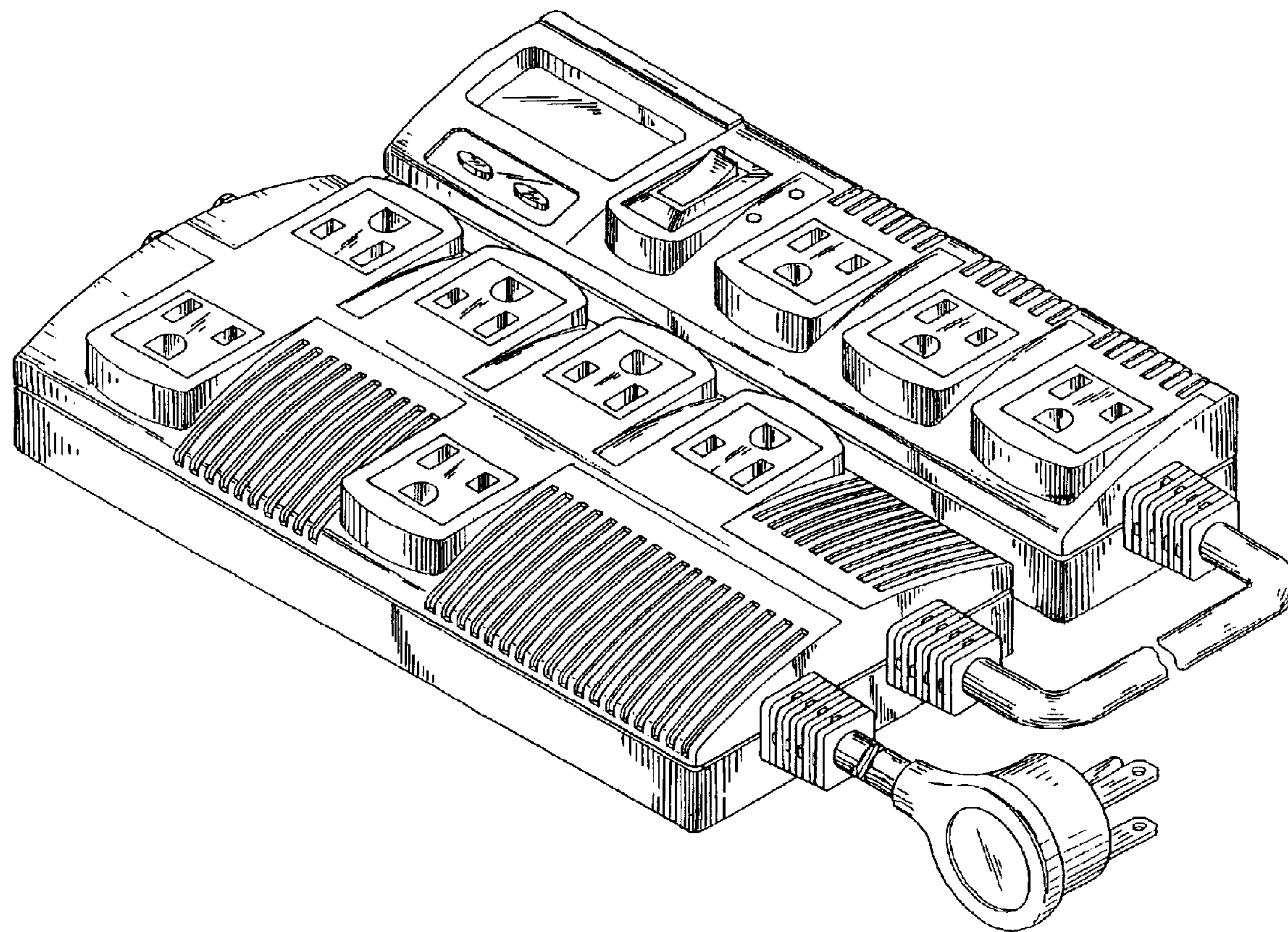
FIG. 4 is a top plan view thereof;

FIG. 5 is a bottom plan view thereof;

FIG. 6 is a left side elevational view thereof; and,

FIG. 7 is a right side elevational view thereof.

**1 Claim, 5 Drawing Sheets**





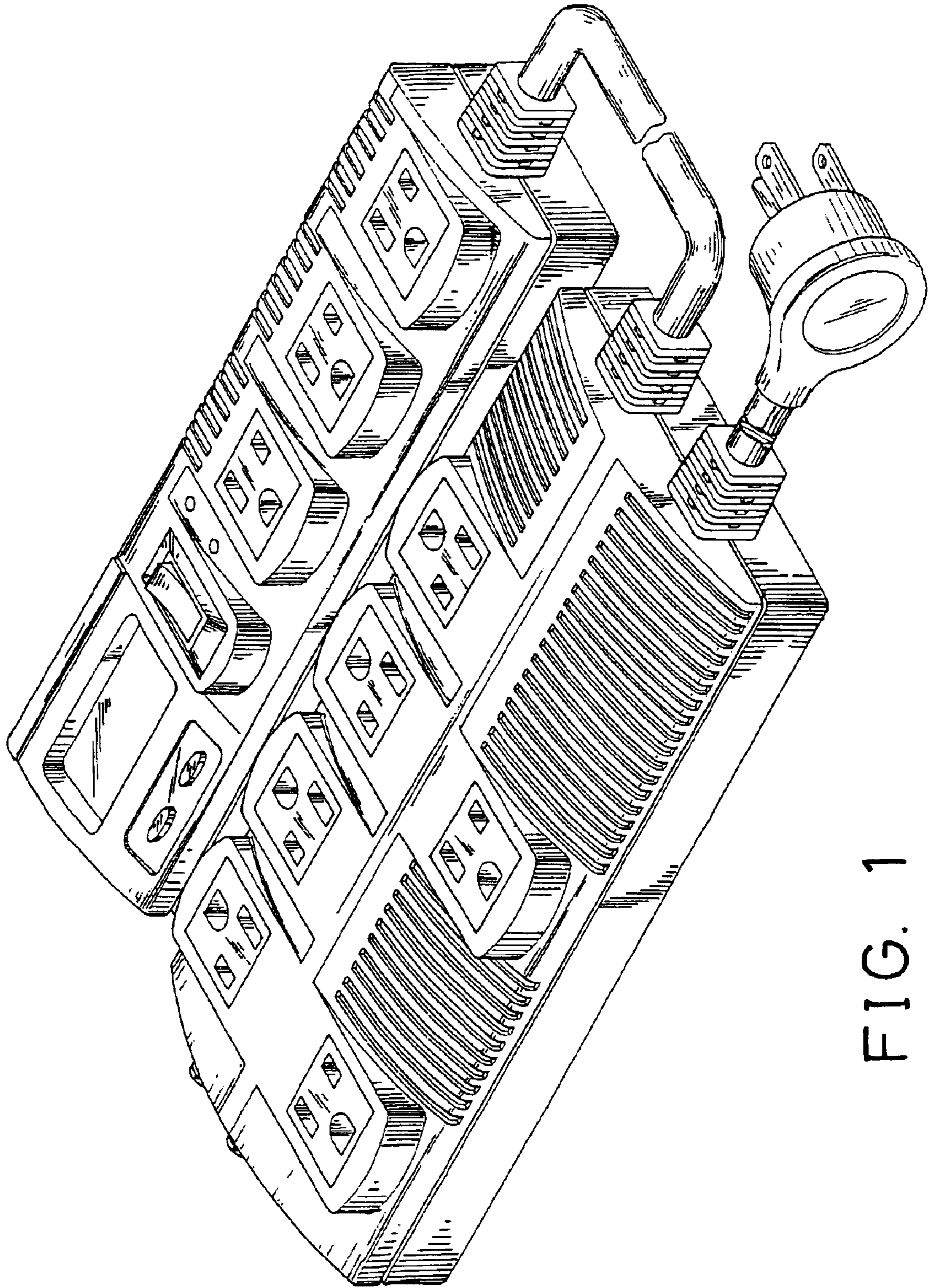


FIG. 1

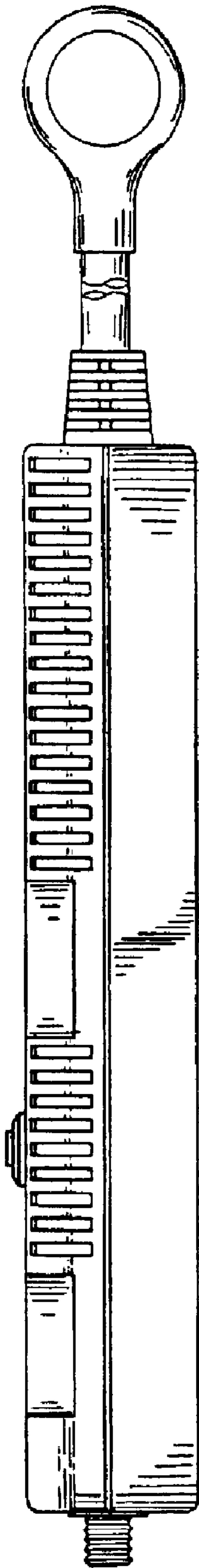


FIG. 2

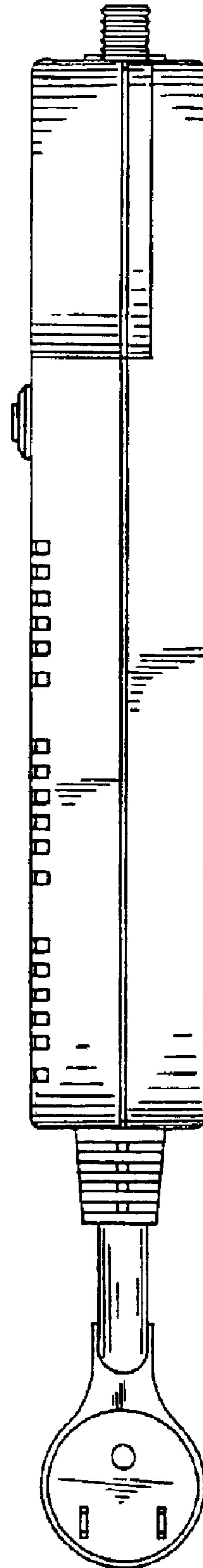


FIG. 3

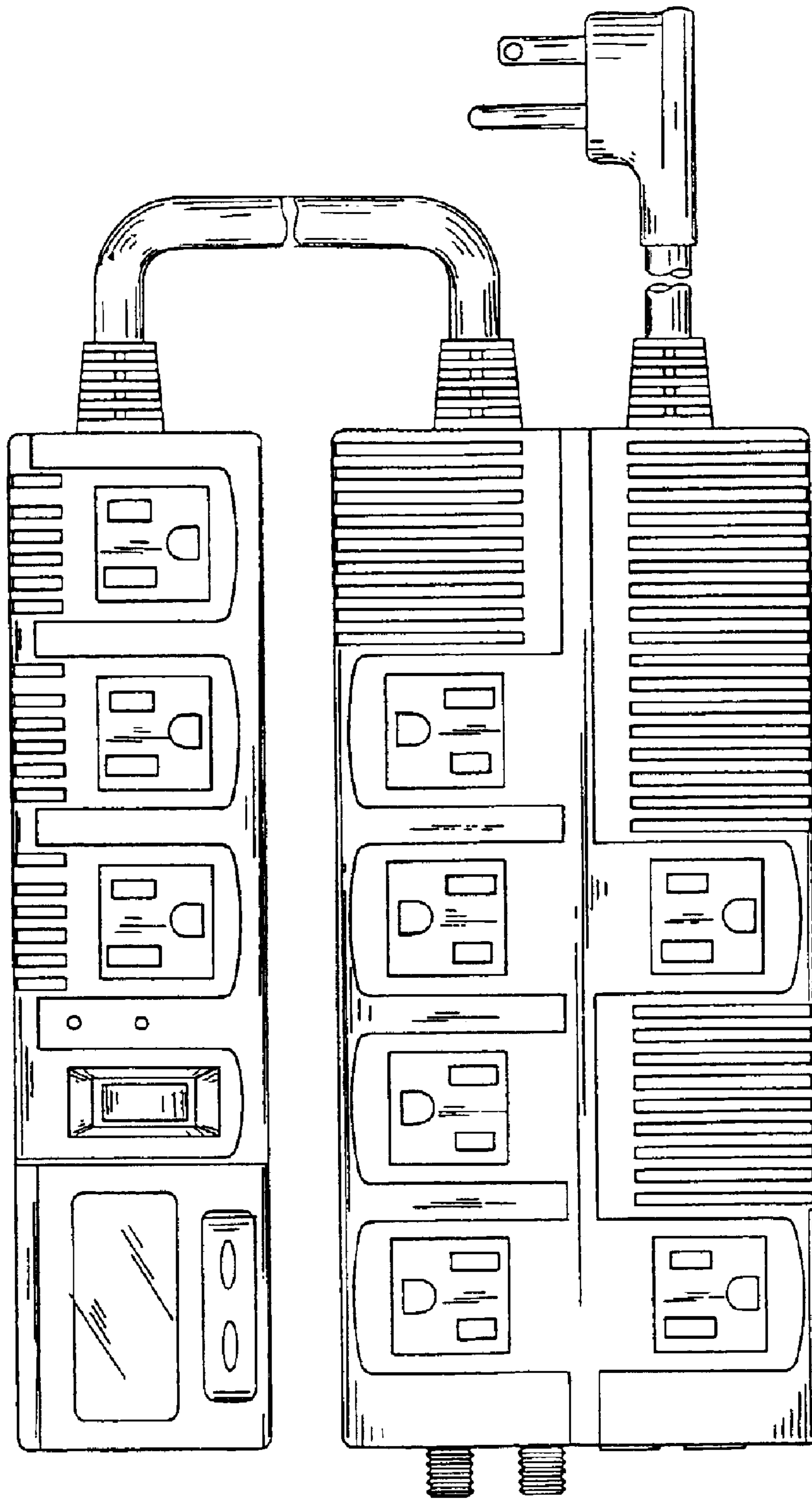


FIG. 4

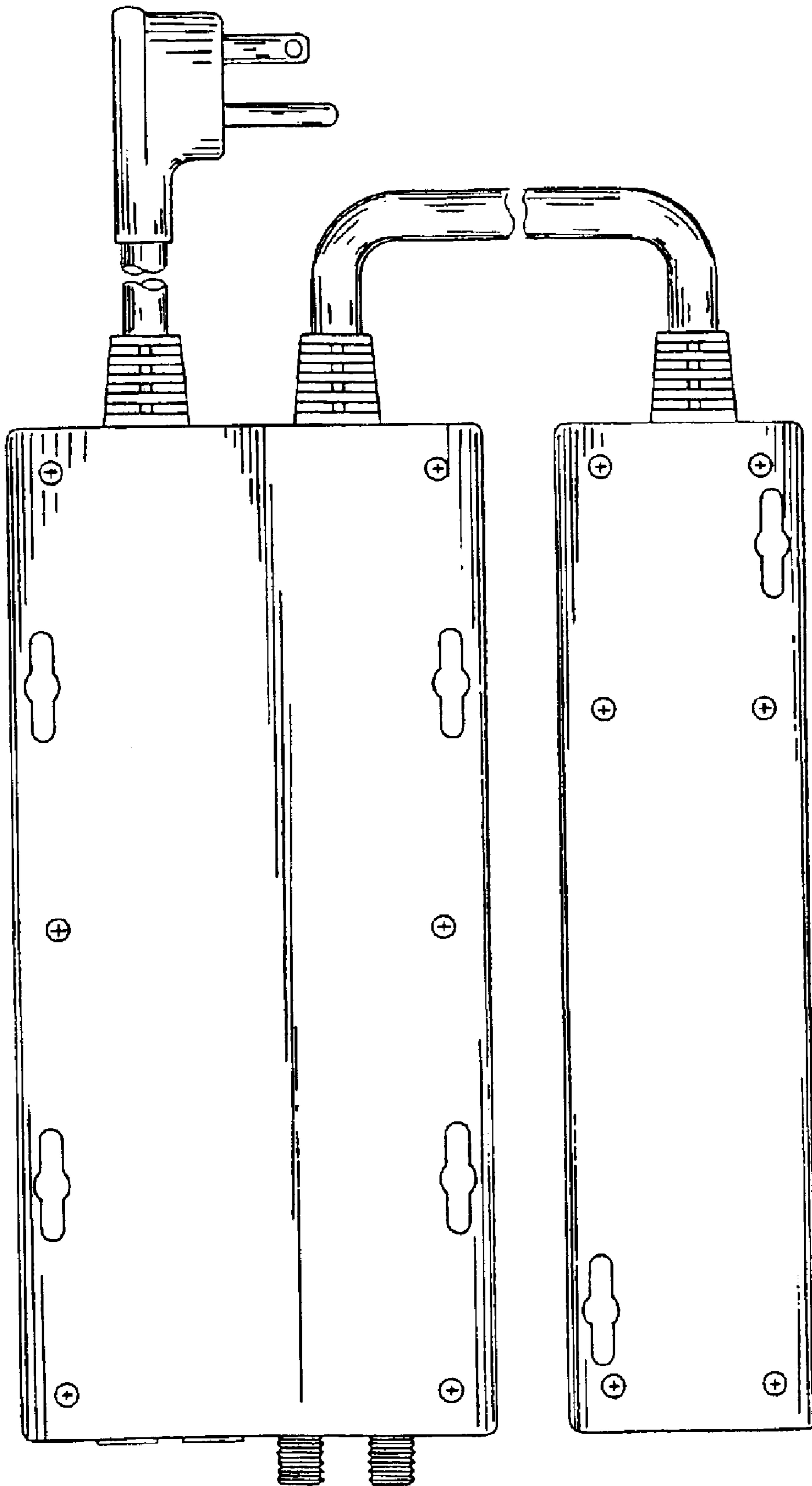


FIG. 5



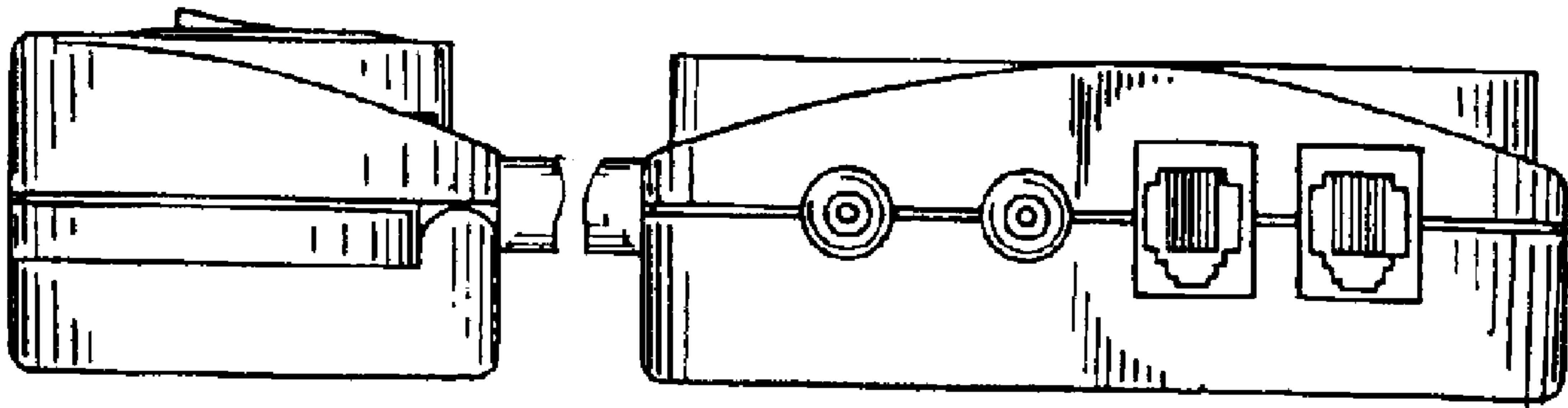


FIG. 6

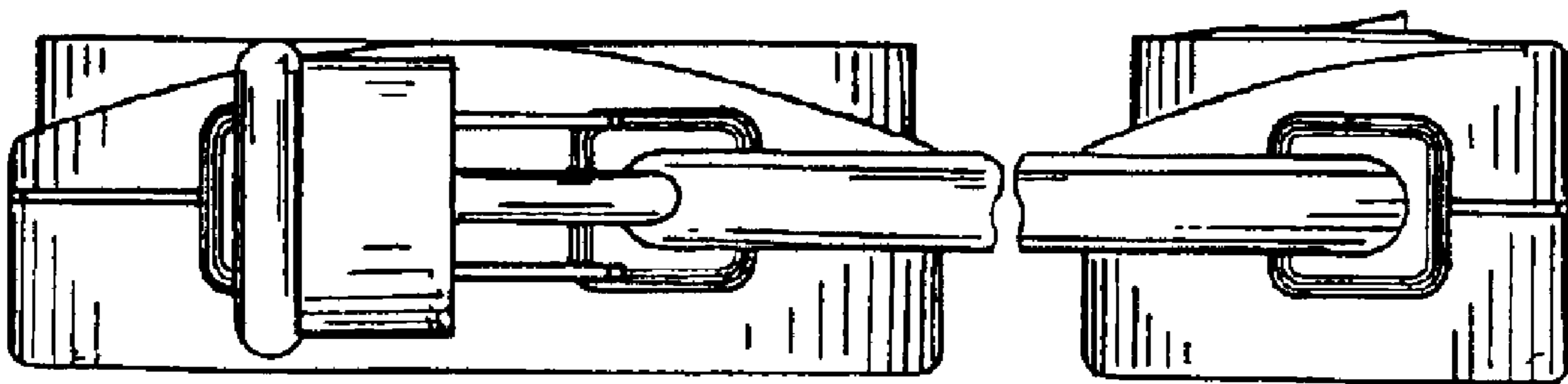


FIG. 7