



US00D518778S

(12) **United States Design Patent**
Wardenburg

(10) **Patent No.:** **US D518,778 S**

(45) **Date of Patent:** **** Apr. 11, 2006**

(54) **ADJUSTABLE REFLECTOR SOCKET**

(57) **CLAIM**

(76) Inventor: **Peter B. Wardenburg**, 3 Bexer Ct.,
Novato, CA (US) 94945

The ornamental design for an adjustable reflector socket, as
shown and described.

(**) Term: **14 Years**

DESCRIPTION

(21) Appl. No.: **29/191,393**

FIG. 1 is a perspective view of an adjustable reflector socket
showing the first embodiment of my new design;

(22) Filed: **Oct. 8, 2003**

FIG. 2 is a front elevational view;

(51) **LOC (8) Cl.** **13-03**

FIG. 3 is a rear elevational view;

(52) **U.S. Cl.** **D13/134**

FIG. 4 is a left side elevational view;

(58) **Field of Classification Search** D13/133-136,
D13/184, 199; D26/24, 60, 106, 113; 313/318.01,
313/318.12; 362/103, 105, 269, 581; 439/336,
439/602

FIG. 5 is a right side elevational view;

FIG. 6 is a top plan view;

FIG. 7 is a bottom plan view;

See application file for complete search history.

FIG. 8 is an exploded perspective view similar to FIG. 1;

FIG. 9 is a vertical sectional view taken along line 9-9 of
FIG. 8;

(56) **References Cited**

U.S. PATENT DOCUMENTS

FIG. 10 is a perspective view of an adjustable reflector
socket showing the second embodiment of my new design;

FIG. 11 is a front elevational view thereof;

D228,191 S * 8/1973 Sullivan D13/134

FIG. 12 is a rear elevational view thereof;

D296,325 S * 6/1988 Hugin D13/133

FIG. 13 is a left side elevational view thereof;

D306,767 S * 3/1990 Ziaylek, Jr. D26/36

FIG. 14 is a right side elevational view thereof;

D308,110 S * 5/1990 Ziaylek, Jr. D26/36

FIG. 15 is a top plan view thereof;

D309,888 S * 8/1990 Cheng D13/110

FIG. 16 is a bottom plan view thereof;

D310,065 S * 8/1990 Cheng D13/165

FIG. 17 is similar to FIG. 9, but having the mounting ring
thereof; and,

5,577,929 A * 11/1996 Sawada 439/336

FIG. 18 is similar to FIG. 2, wherein the adjustable reflector
socket is similar to that shown in FIGS. 1-9, but having a
modified front end.

2005/0052867 A1 * 3/2005 Wardenburg 362/269

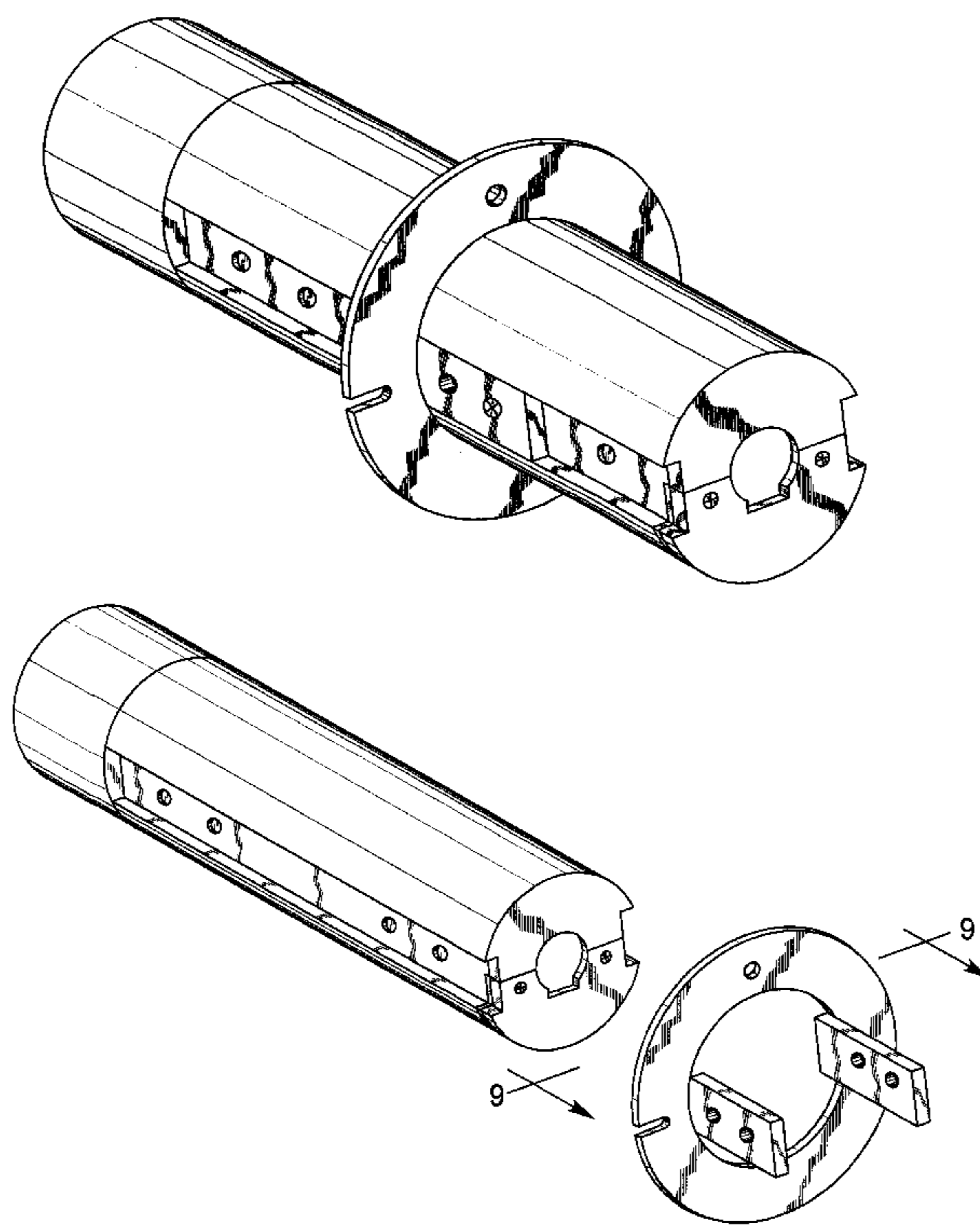
* cited by examiner

Primary Examiner—Stella Reid

Assistant Examiner—Daniel Bui

(74) *Attorney, Agent, or Firm*—Kremblas, Foster, Phillips
& Polliek

1 Claim, 10 Drawing Sheets



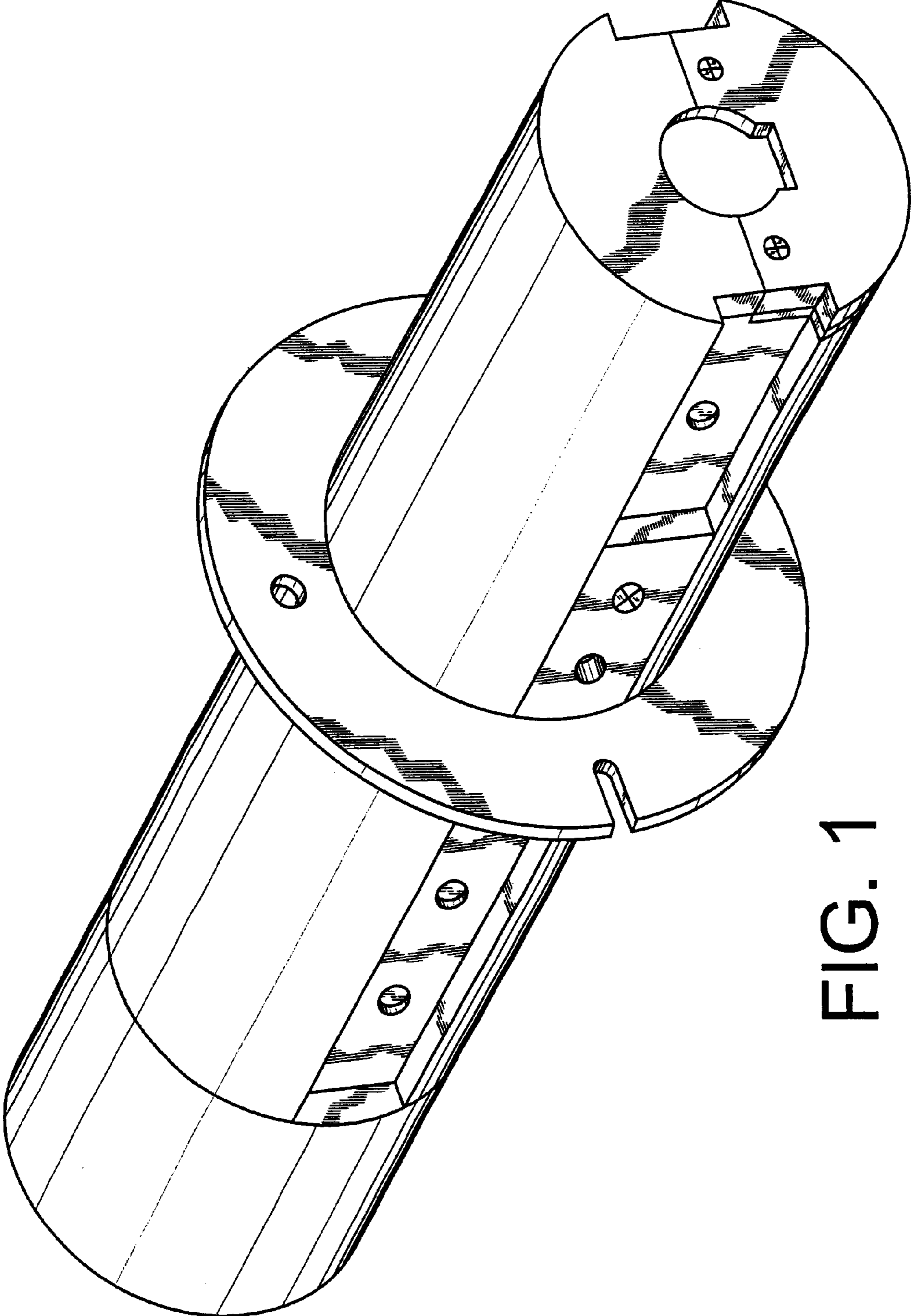


FIG. 1

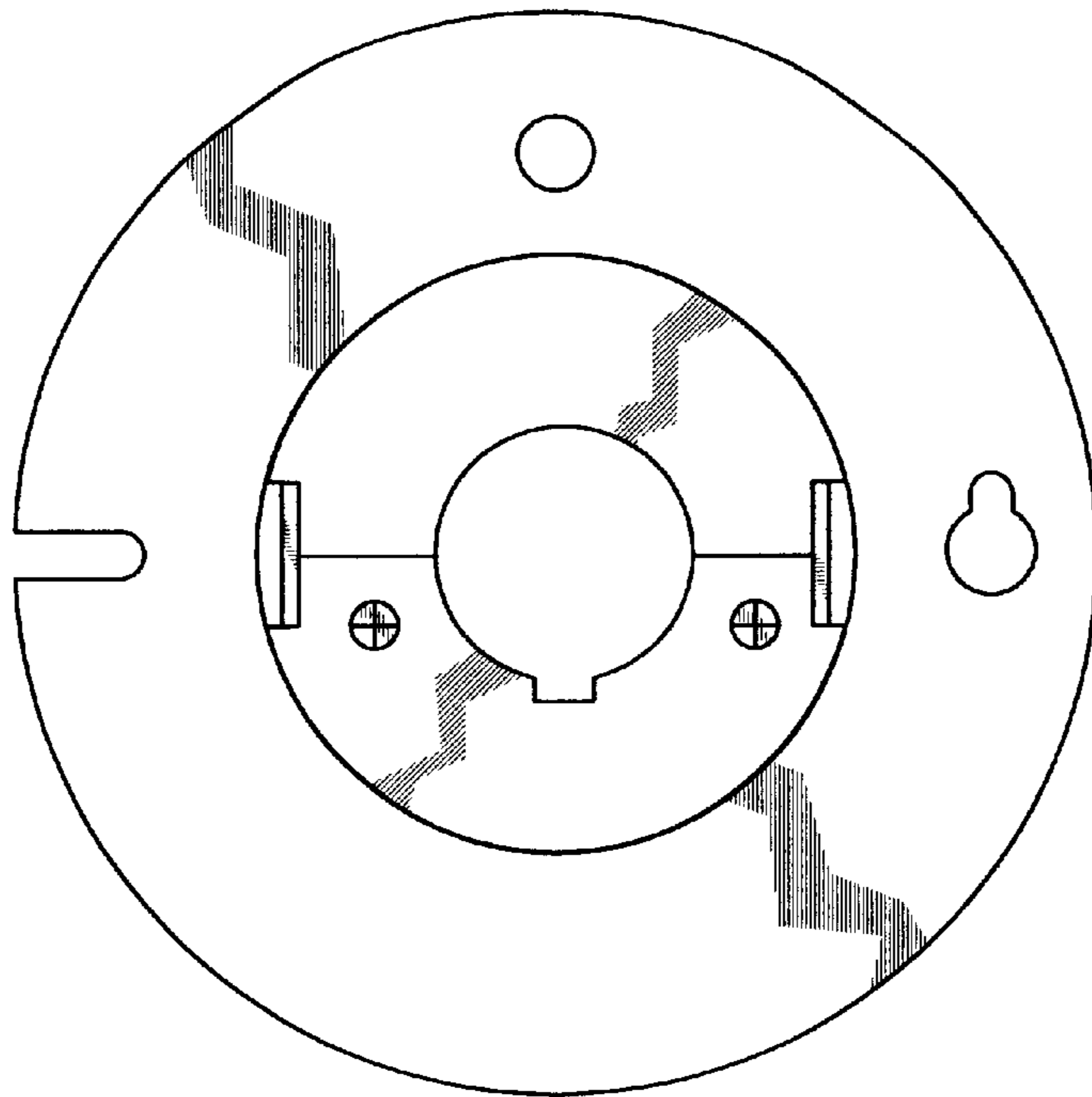


FIG. 2

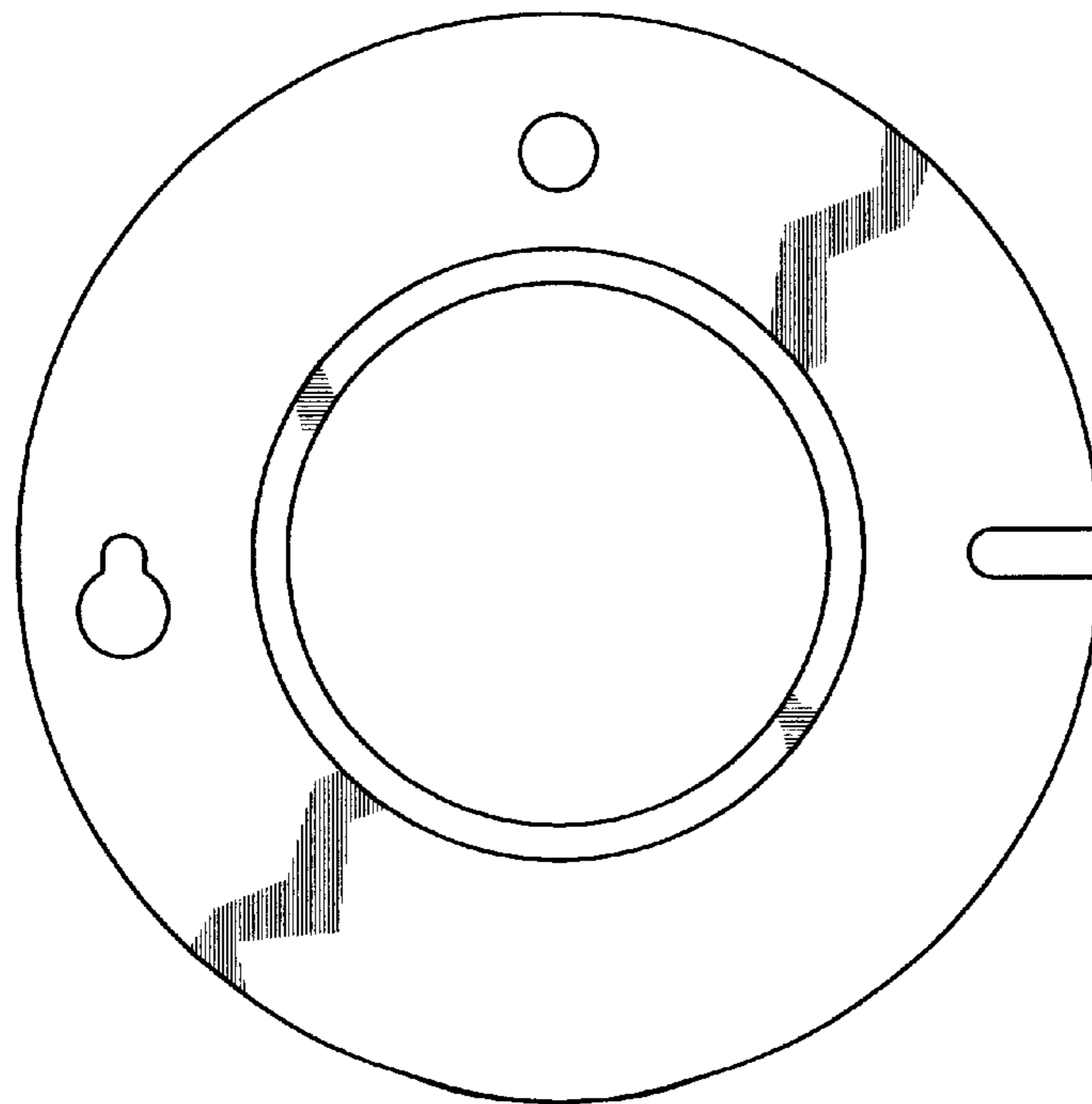


FIG. 3

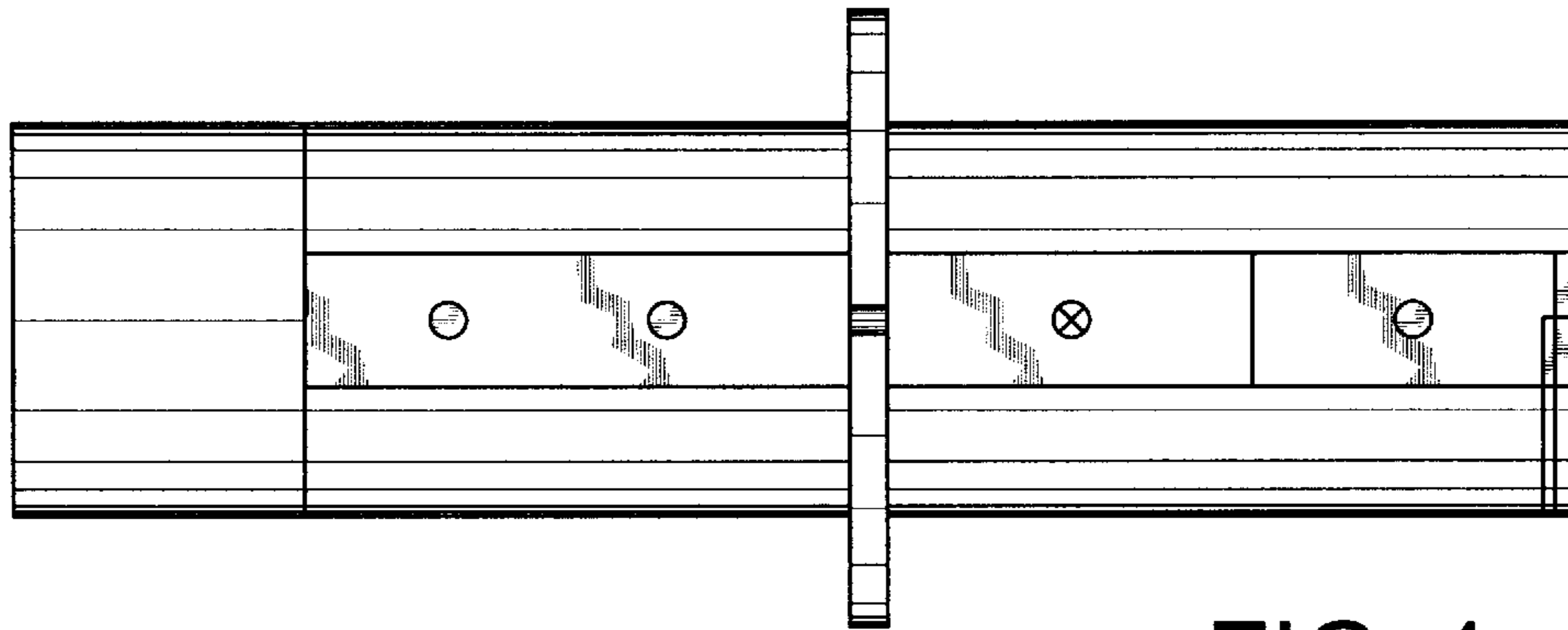


FIG. 4

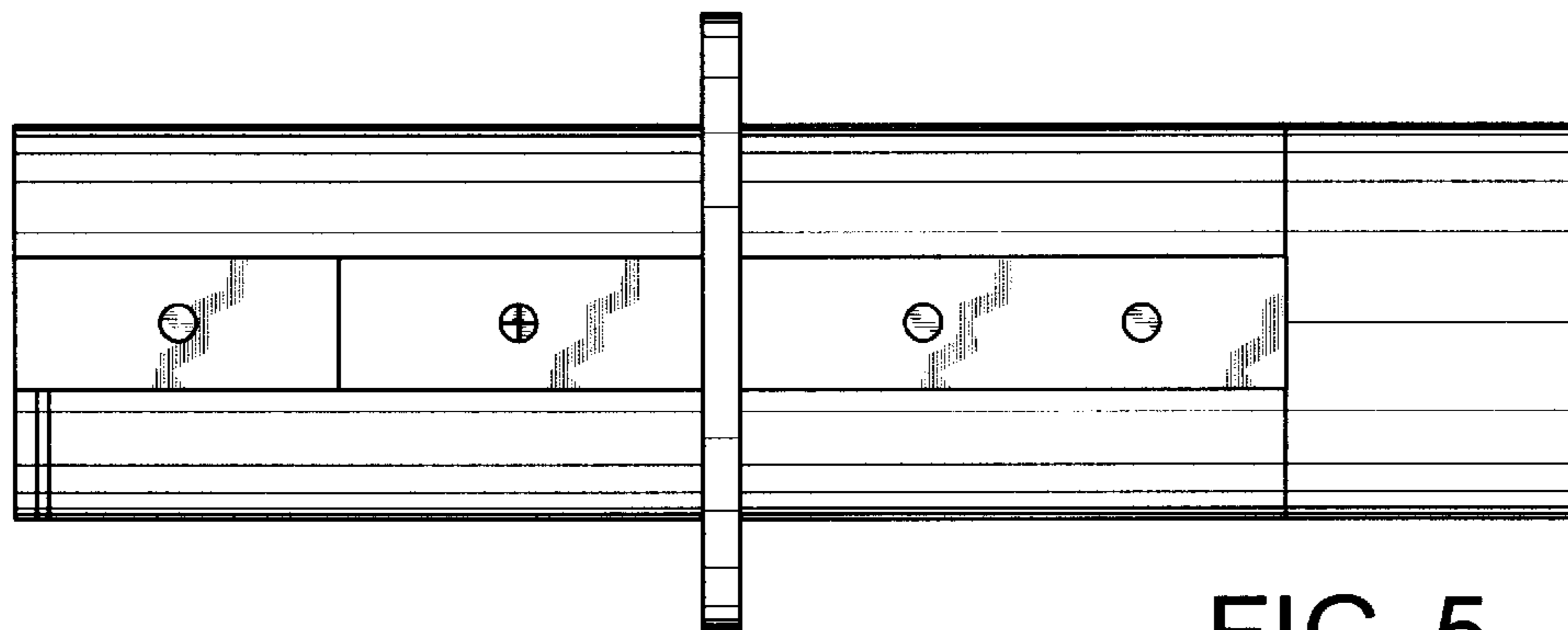


FIG. 5

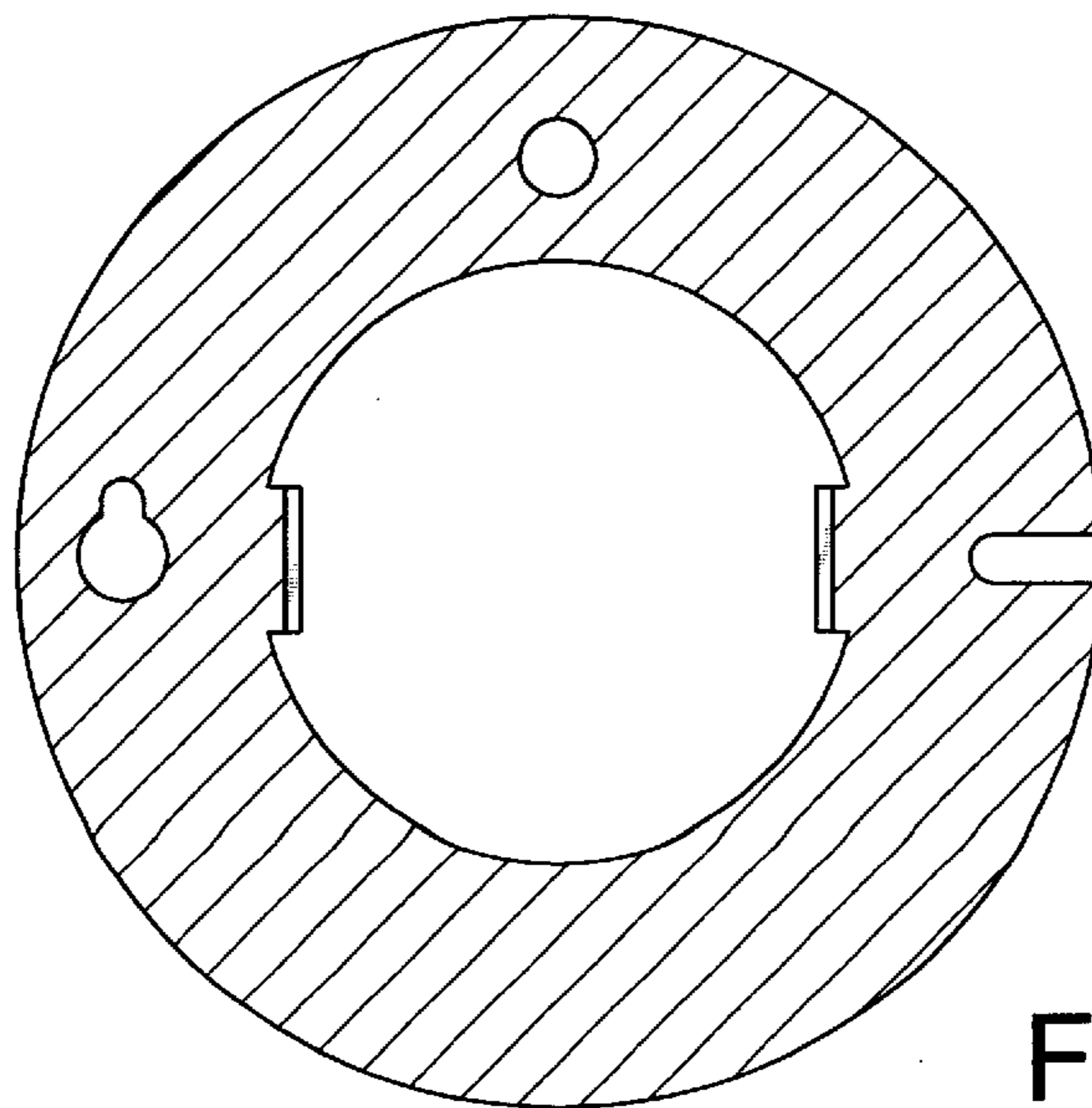


FIG. 9

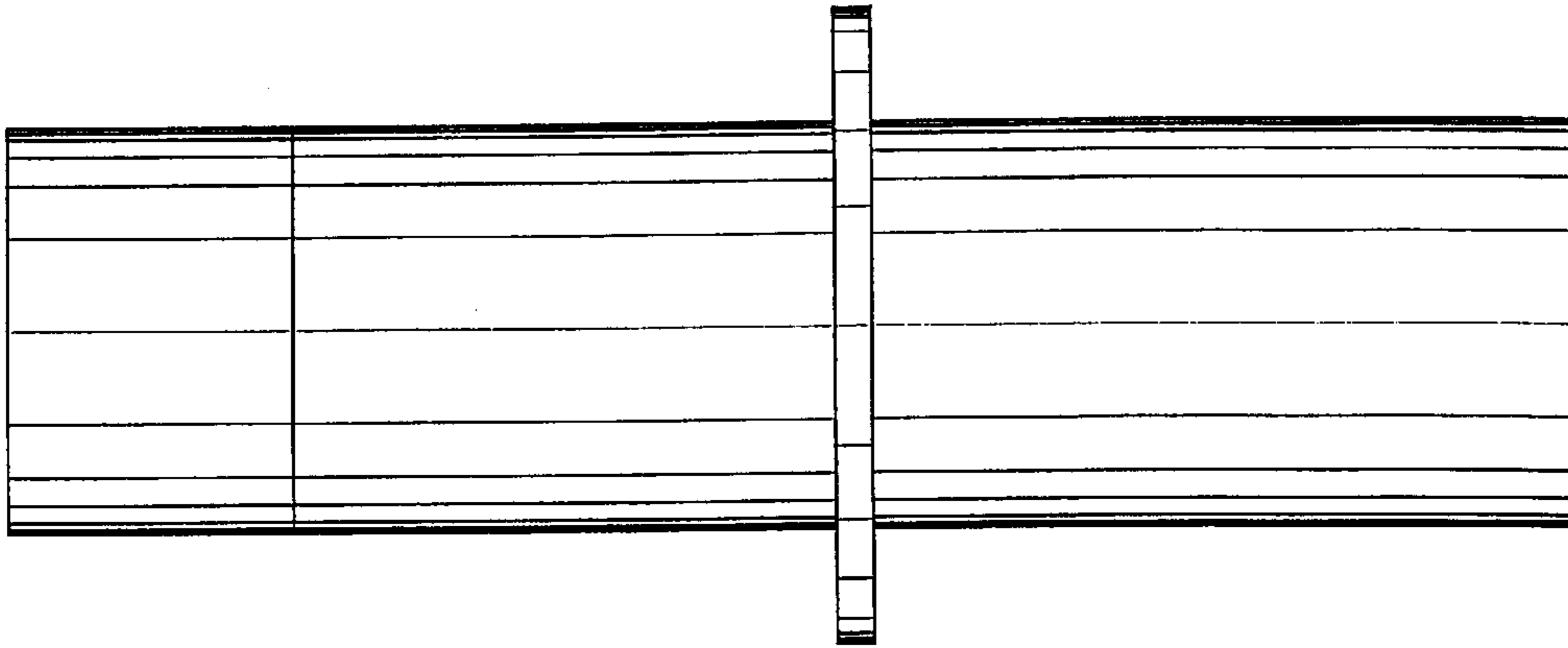


FIG. 6

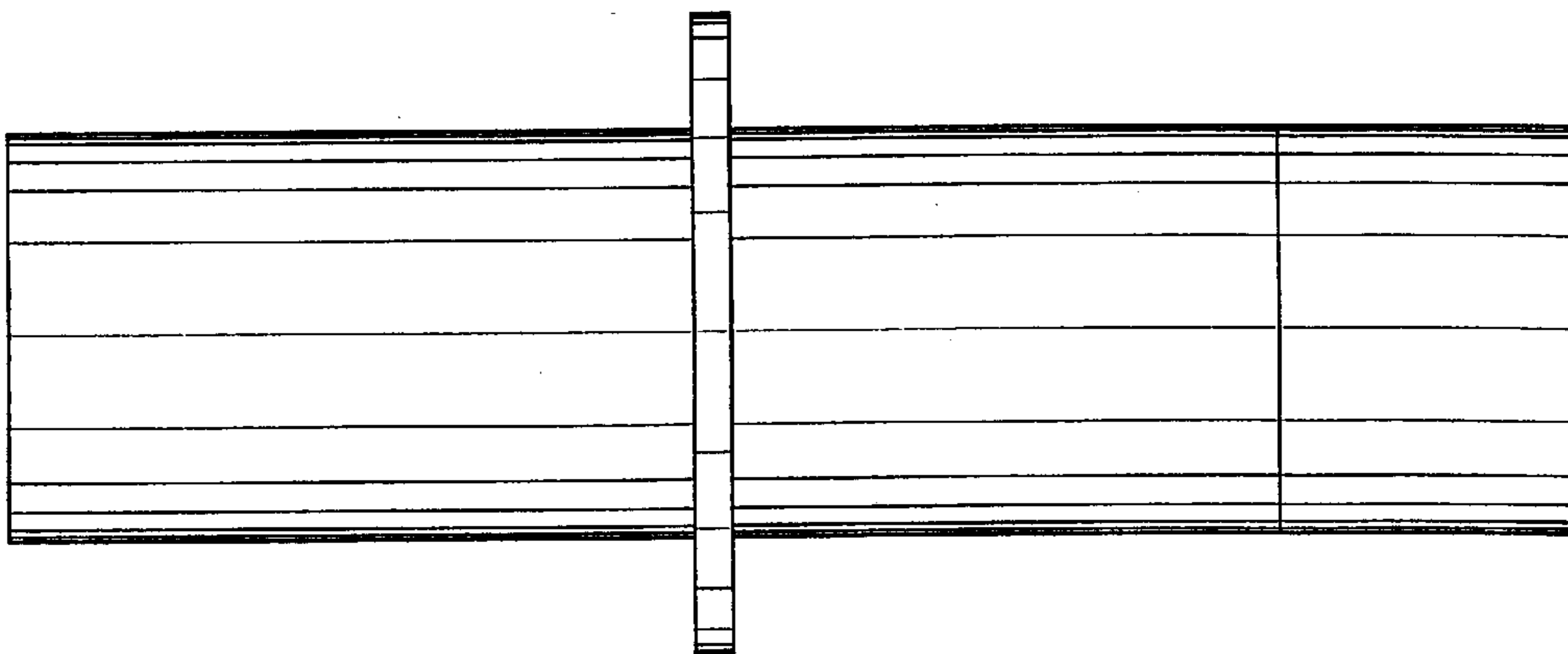
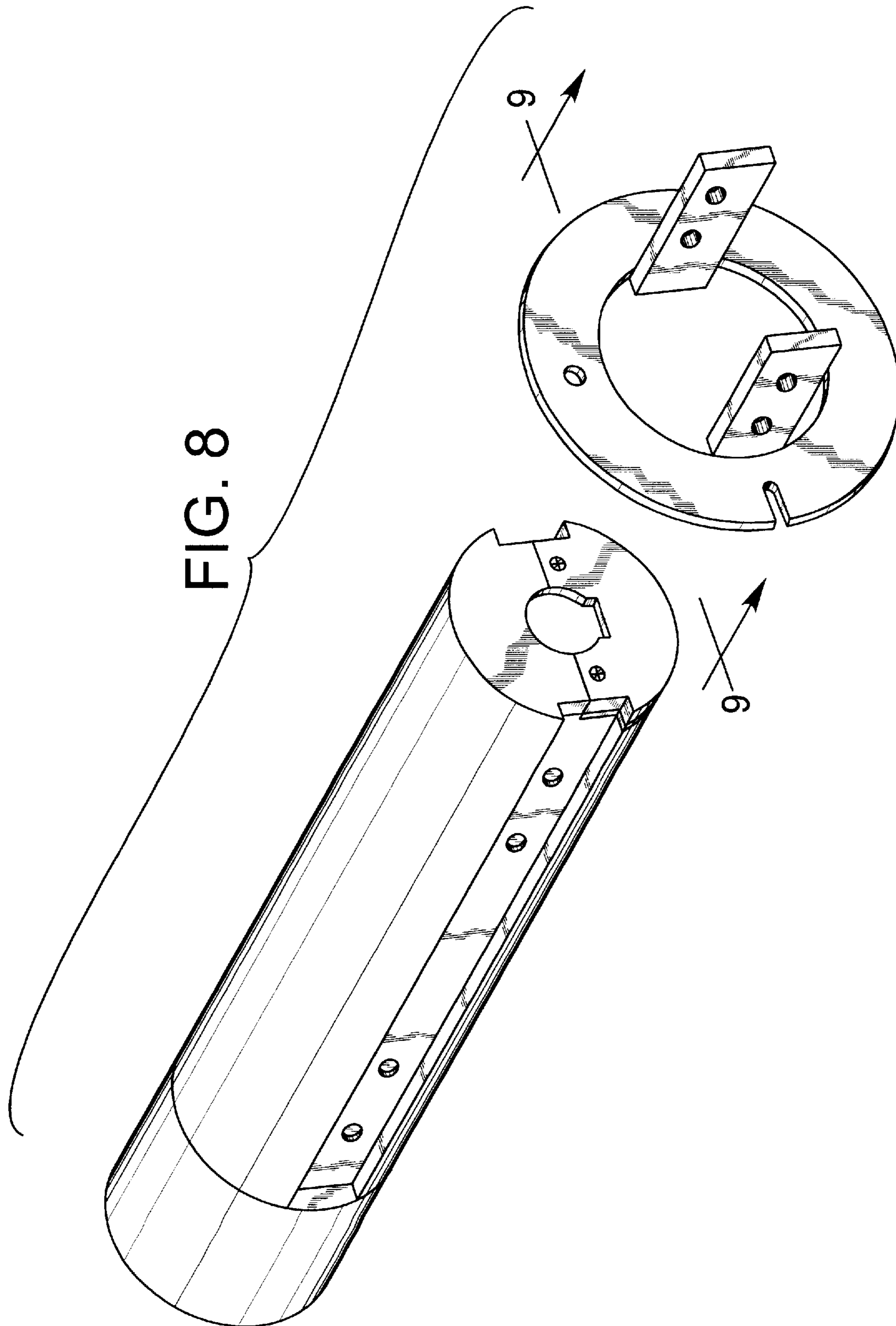


FIG. 7



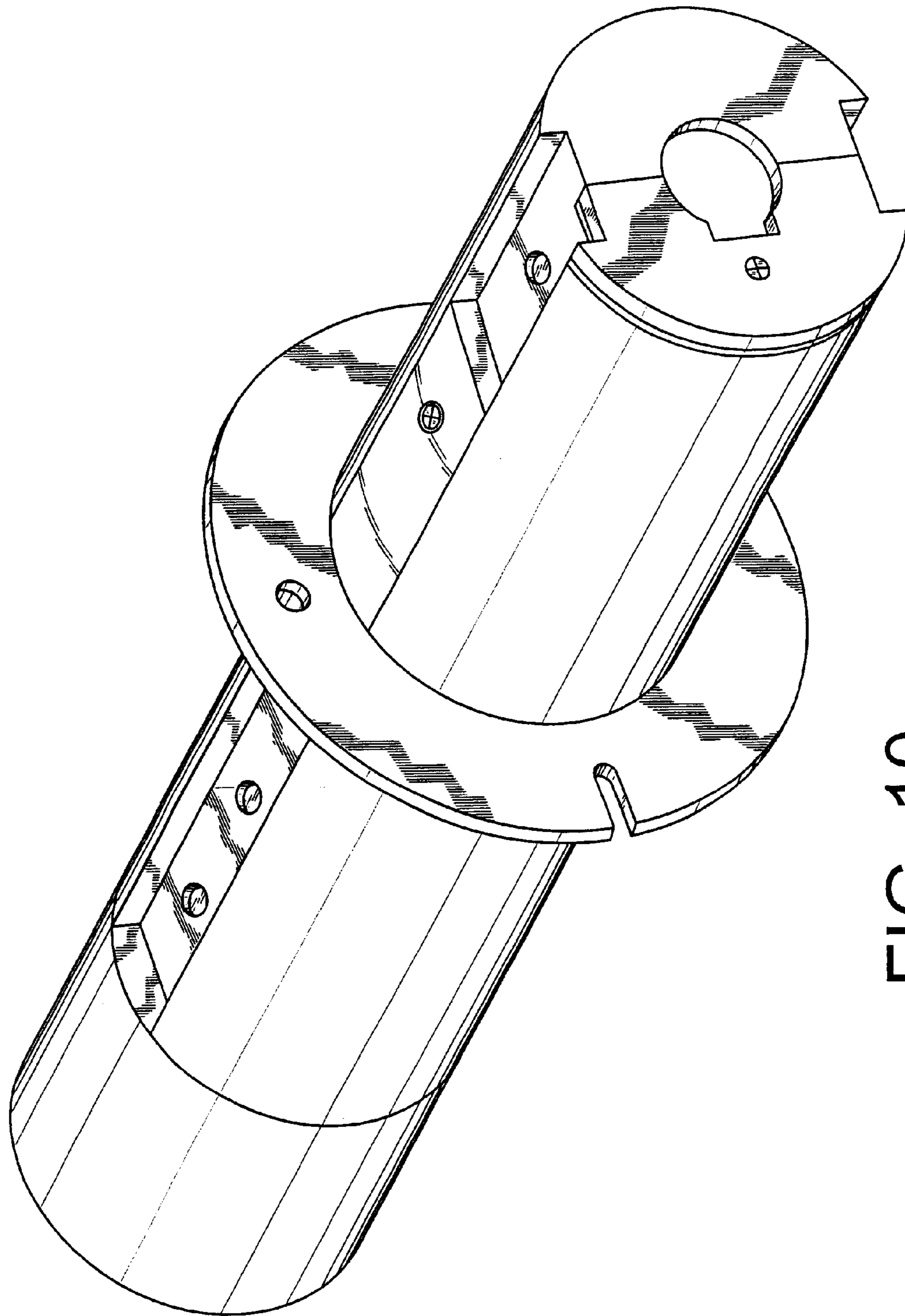


FIG. 10

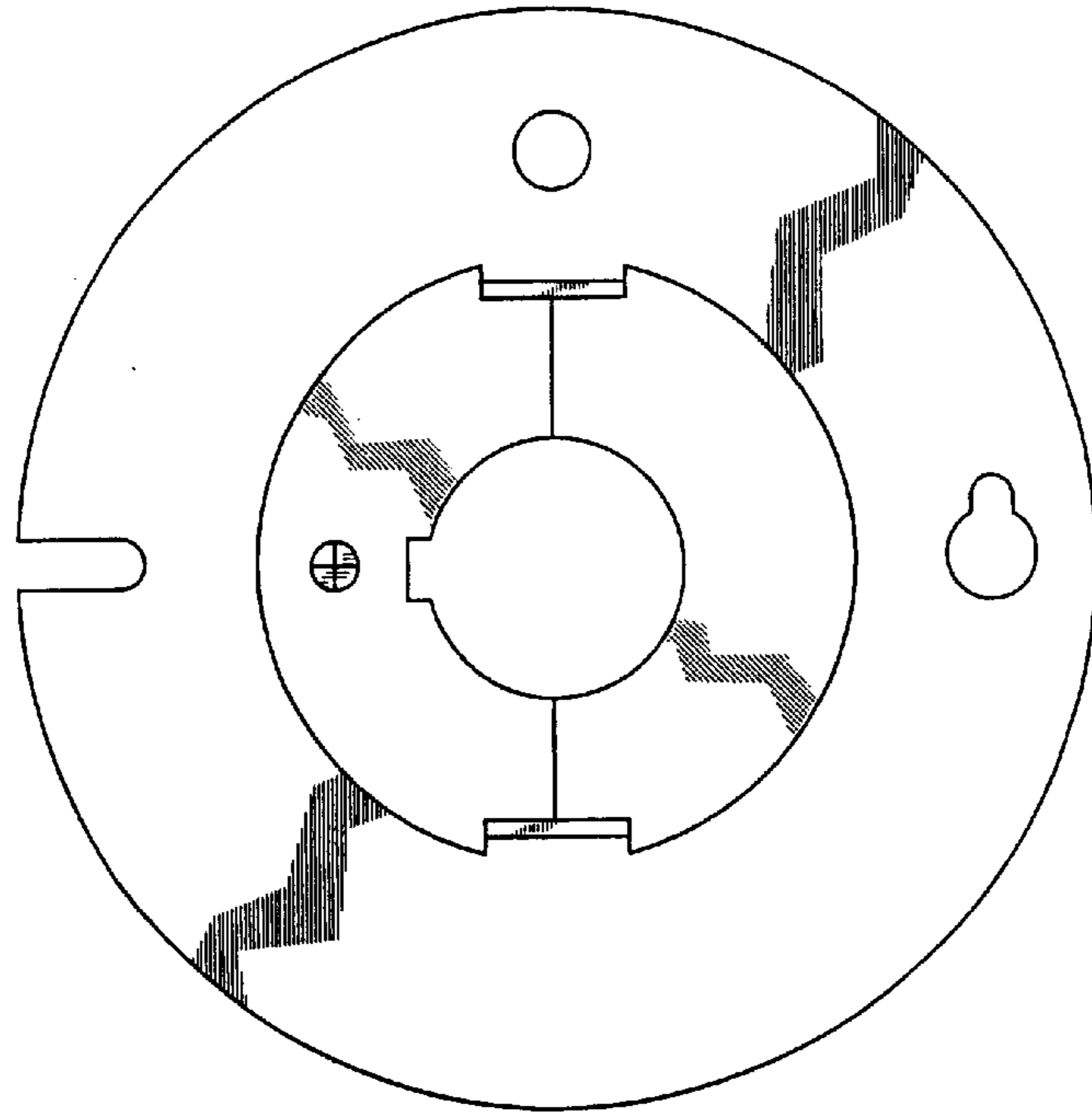


FIG. 11

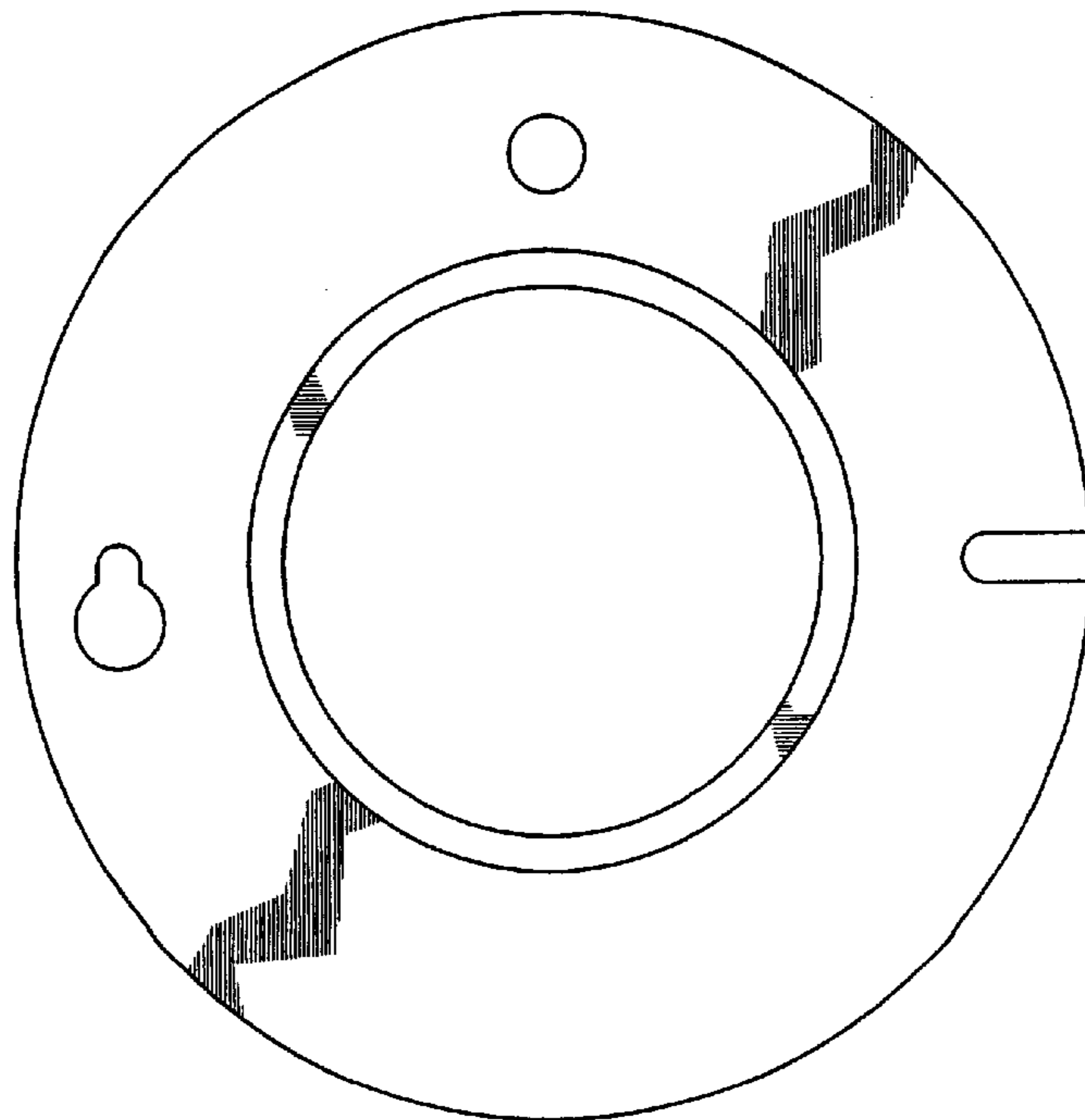


FIG. 12

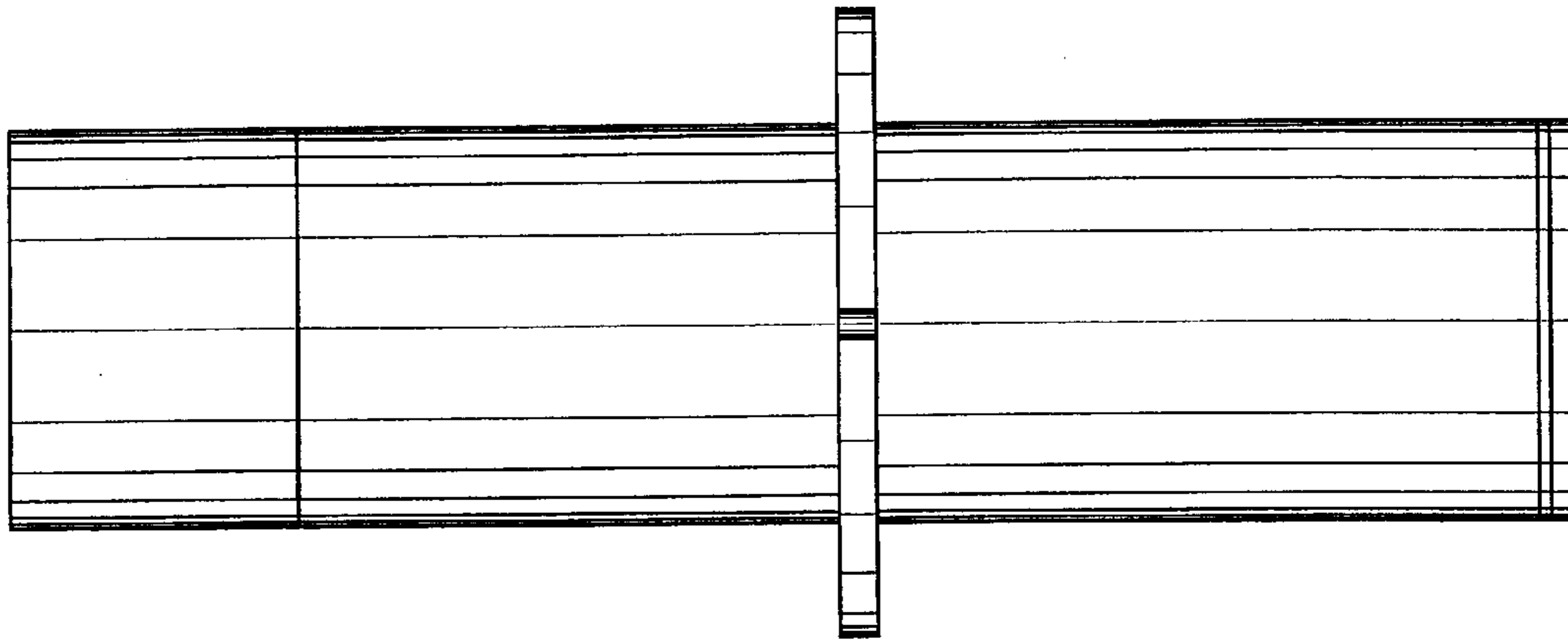


FIG. 13

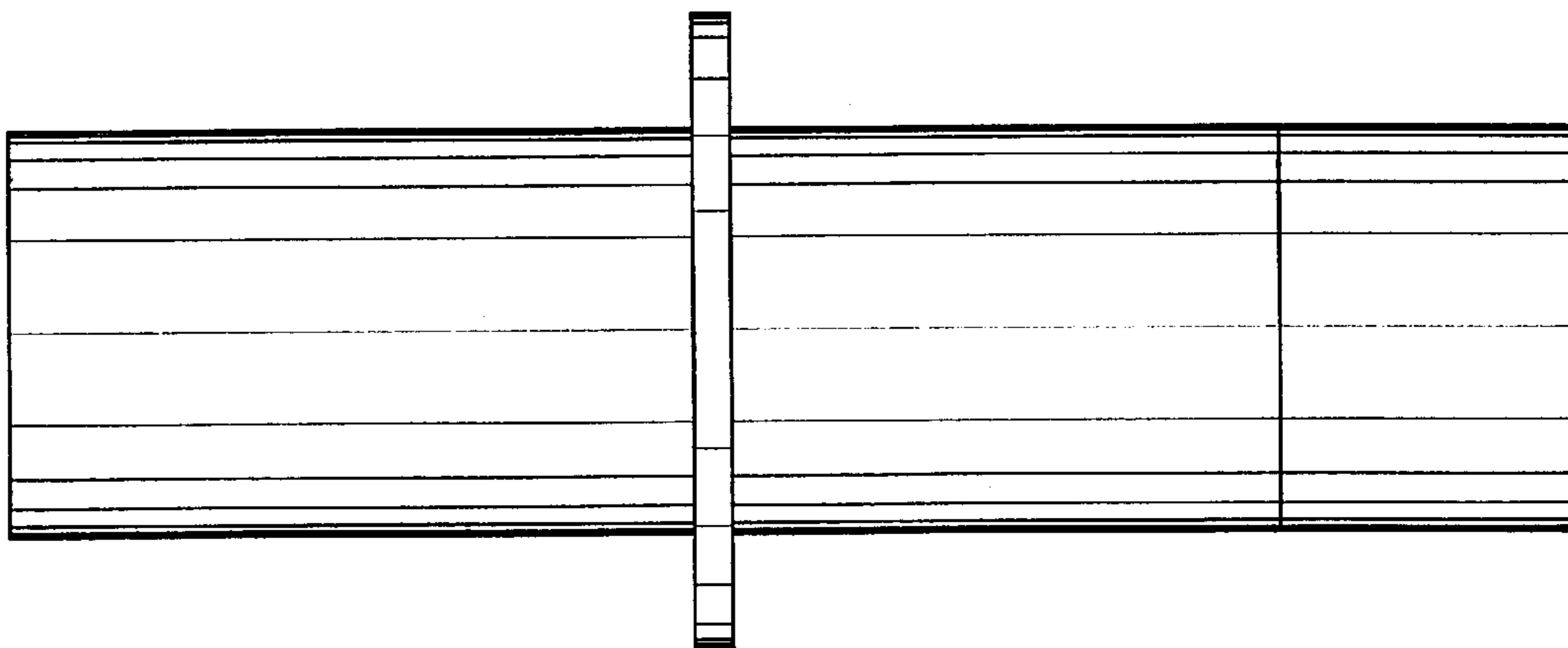


FIG. 14

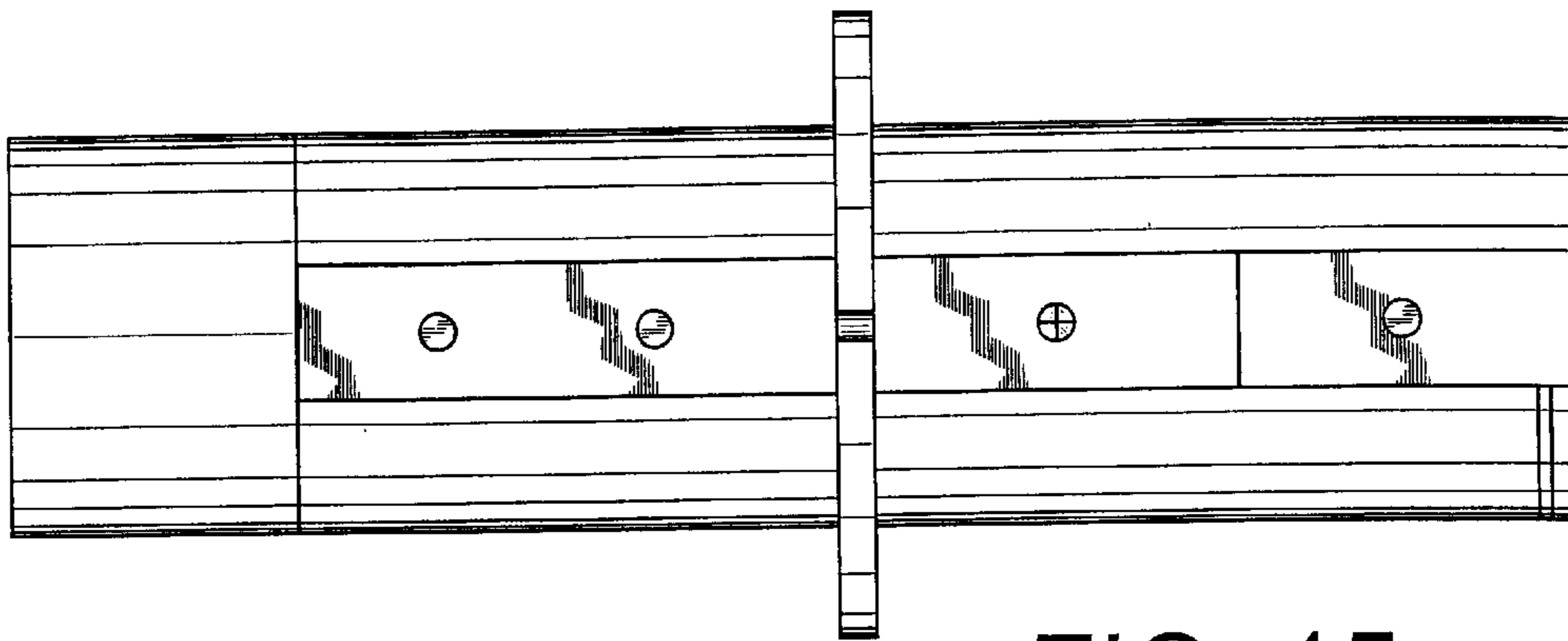


FIG. 15

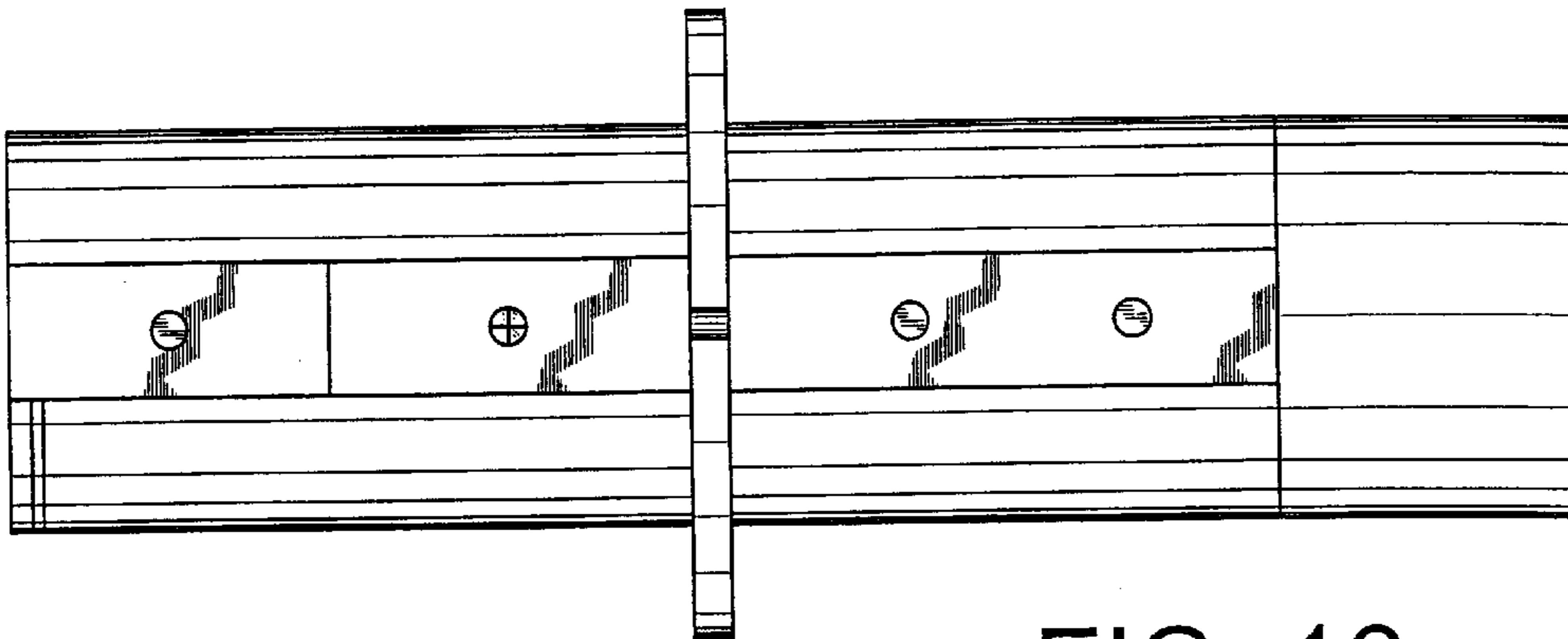


FIG. 16

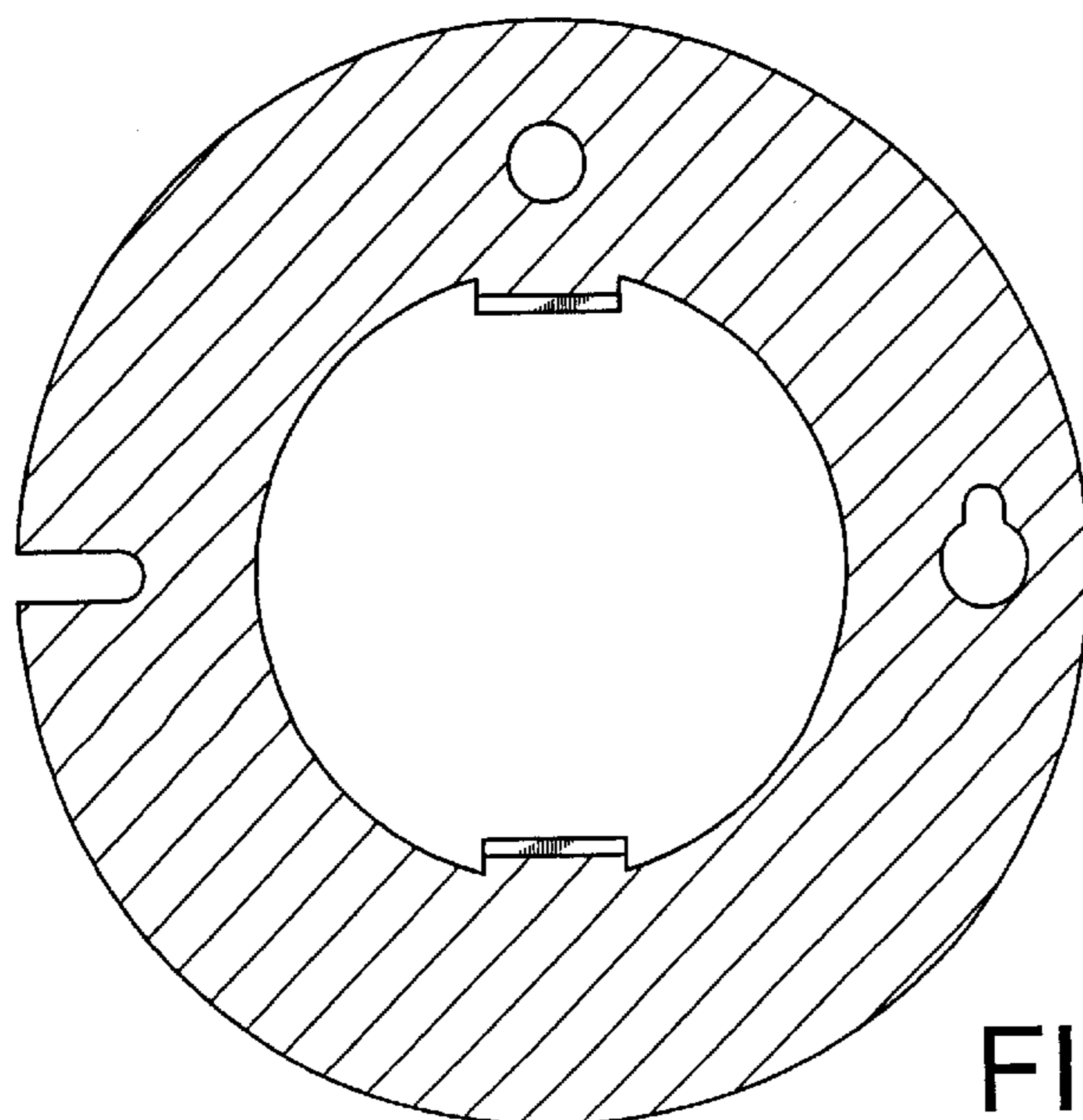


FIG. 17

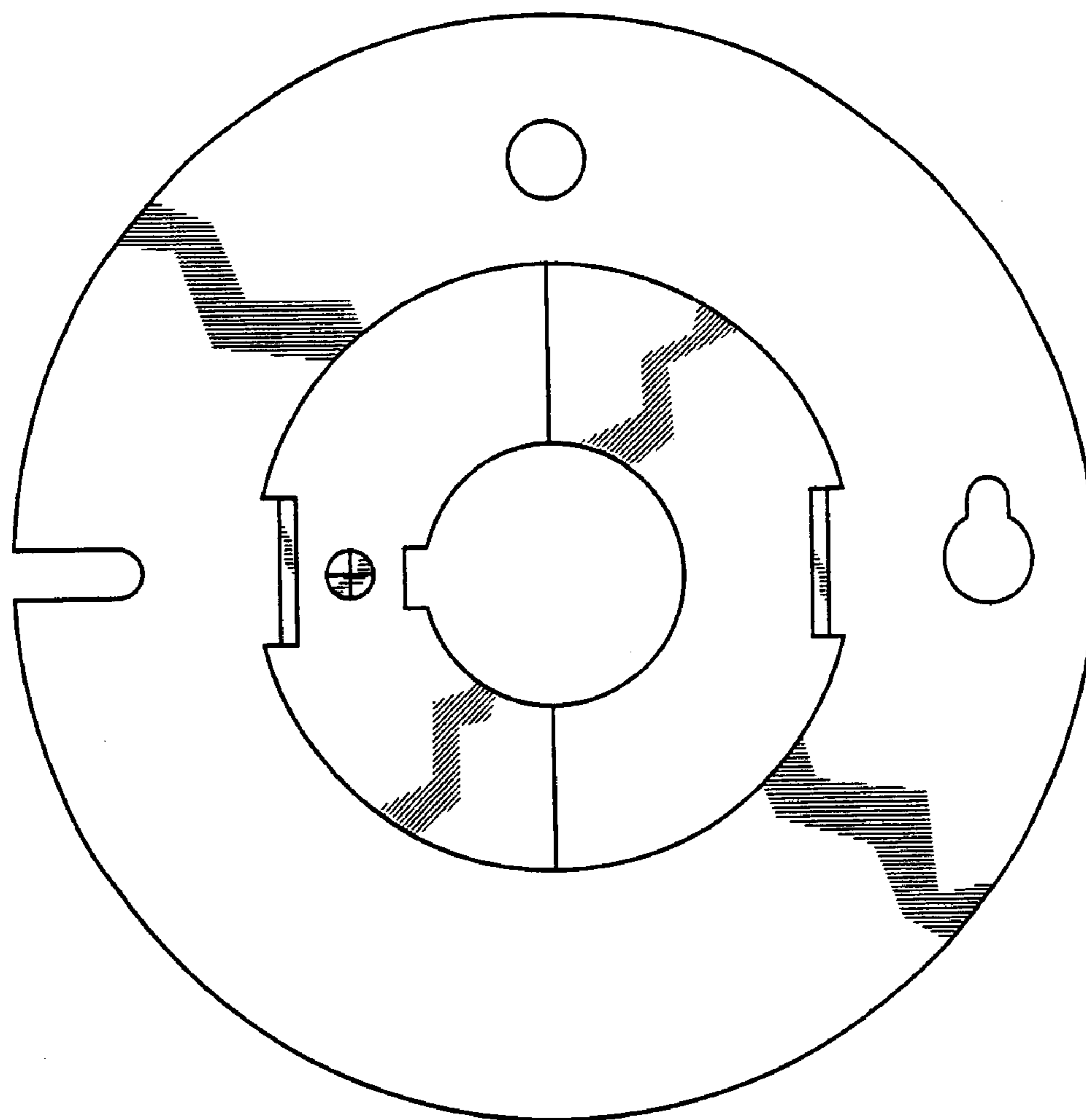


FIG. 18