



US00D518777S

(12) **United States Design Patent**
Christianson

(10) **Patent No.:** **US D518,777 S**

(45) **Date of Patent:** **** Apr. 11, 2006**

(54) **MEDIA CONNECTOR**

(75) Inventor: **Tristan Michael Christianson**, San Francisco, CA (US)

(73) Assignee: **Sharper Image Corporation**, San Francisco, CA (US)

(**) Term: **14 Years**

(21) Appl. No.: **29/232,484**

(22) Filed: **Jun. 20, 2005**

(51) **LOC (8) Cl.** **13-03**

(52) **U.S. Cl.** **D13/133; D14/217**

(58) **Field of Classification Search** D13/133,
D13/139.7, 154, 156; D14/217, 356, 432,
D14/433, 447; D9/516, 526, 523, 737, 738,
D9/751; 206/409, 701, 702; 439/620; 174/135,
174/138 F; 381/182, 370, 371
See application file for complete search history.

(56) **References Cited**

U.S. PATENT DOCUMENTS

D85,017 S	*	9/1931	Fuerst	D2/972
D191,399 S	*	9/1961	Leach	D13/146
D256,010 S	*	7/1980	Fry	D13/156
D301,712 S	*	6/1989	Israel	D13/133
D329,814 S	*	9/1992	Libit	D9/526
D338,406 S	*	8/1993	Bennebroek	D9/523
D373,566 S	*	9/1996	Rak et al.	D13/133
5,641,067 A	*	6/1997	Ellis	206/409
D391,943 S	*	3/1998	Han	D14/356
5,887,720 A	*	3/1999	Lin	206/702
D434,663 S	*	12/2000	Jones et al.	D9/516
D448,006 S	*	9/2001	Lee	D13/133
D465,784 S	*	11/2002	Lin	D14/433
D469,770 S	*	2/2003	Carpenter et al.	D14/433
D471,156 S	*	3/2003	Sass et al.	D13/133
D481,682 S	*	11/2003	Wu	D13/147
D482,694 S	*	11/2003	Chen	D14/433
D485,185 S	*	1/2004	Versace	D9/523

D488,448 S	*	4/2004	Ranger	D13/154
D489,069 S	*	4/2004	Lin	D14/433
D501,184 S	*	1/2005	Ikeda	D13/156

* cited by examiner

Primary Examiner—Holly Baynham

Assistant Examiner—Cynthia M. Chin

(74) *Attorney, Agent, or Firm*—Bell, Boyd & Lloyd, LLC

(57) **CLAIM**

The ornamental design for a media connector, as shown and described.

DESCRIPTION

FIG. 1 is a perspective view of the present media connector, wherein the portion of the media connector shown in phantom is not part of the design sought to be patented and is provided for environmental purposes only.

FIG. 2 is a front view of FIG. 1, wherein the portion of the media connector shown in phantom is not part of the design sought to be patented and is provided for environmental purposes only.

FIG. 3 is a top view of FIG. 1, wherein the portion of the media connector shown in phantom is not part of the design sought to be patented and is provided for environmental purposes only.

FIG. 4 is a bottom view of FIG. 1, wherein the portion of the media connector shown in phantom is not part of the design sought to be patented and is provided for environmental purposes only.

FIG. 5 is a left side view of FIG. 1, wherein the portion of the media connector shown in phantom is not part of the design sought to be patented and is provided for environmental purposes only; and,

FIG. 6 is a right side view of FIG. 1, wherein the portion of the media connector shown in phantom is not part of the design sought to be patented and is provided for environmental purposes only.

1 Claim, 3 Drawing Sheets

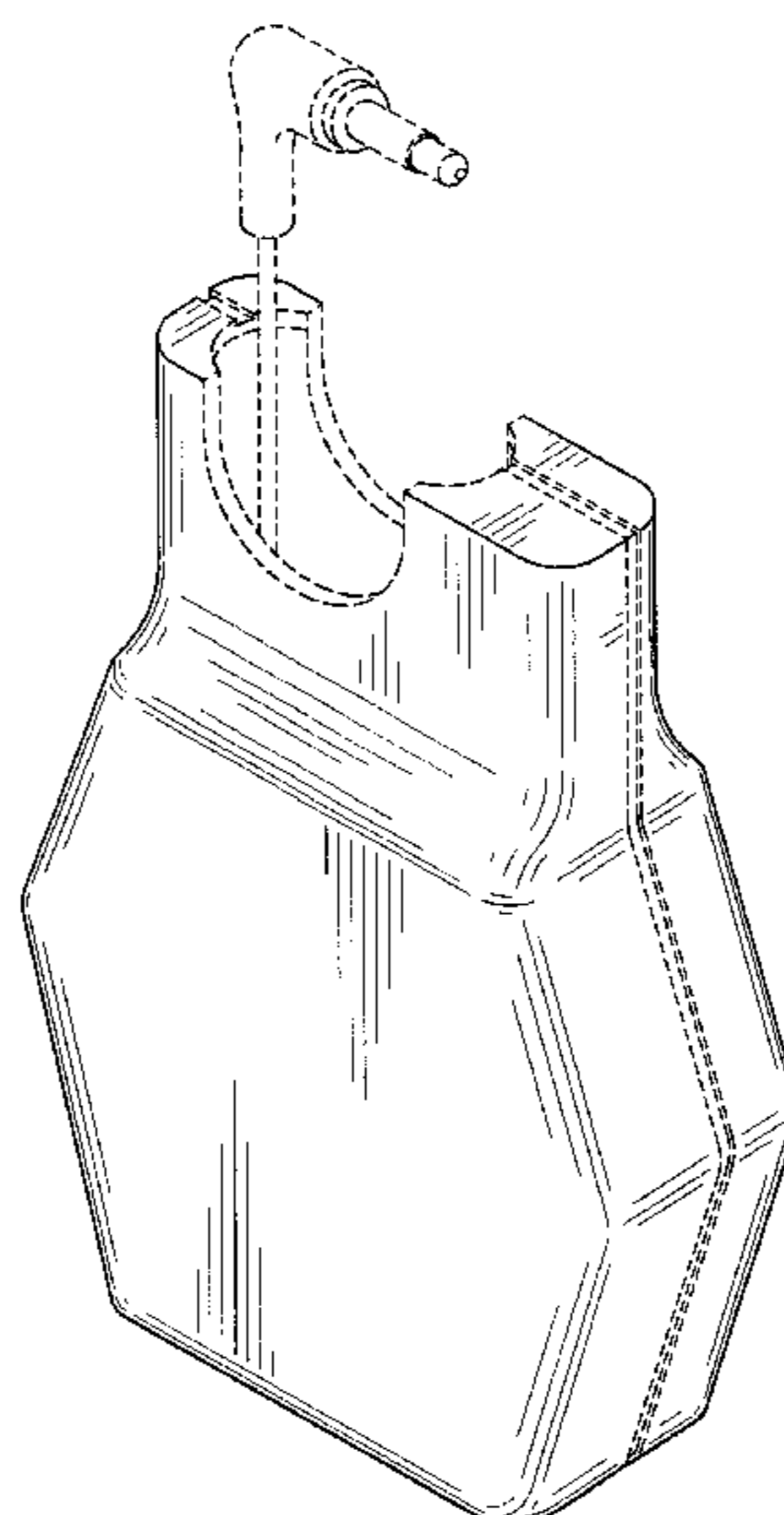


FIG. 1

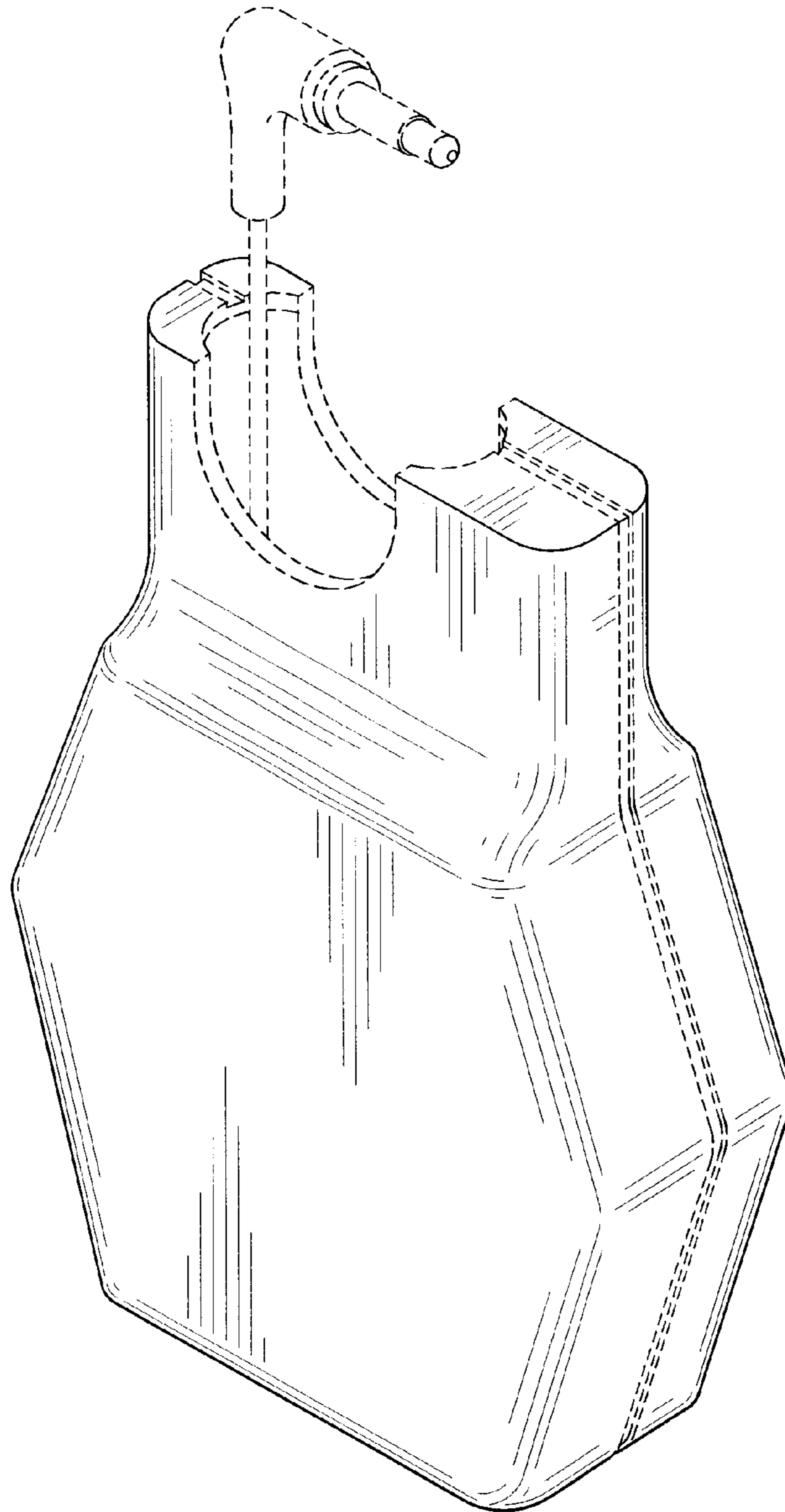


FIG.2

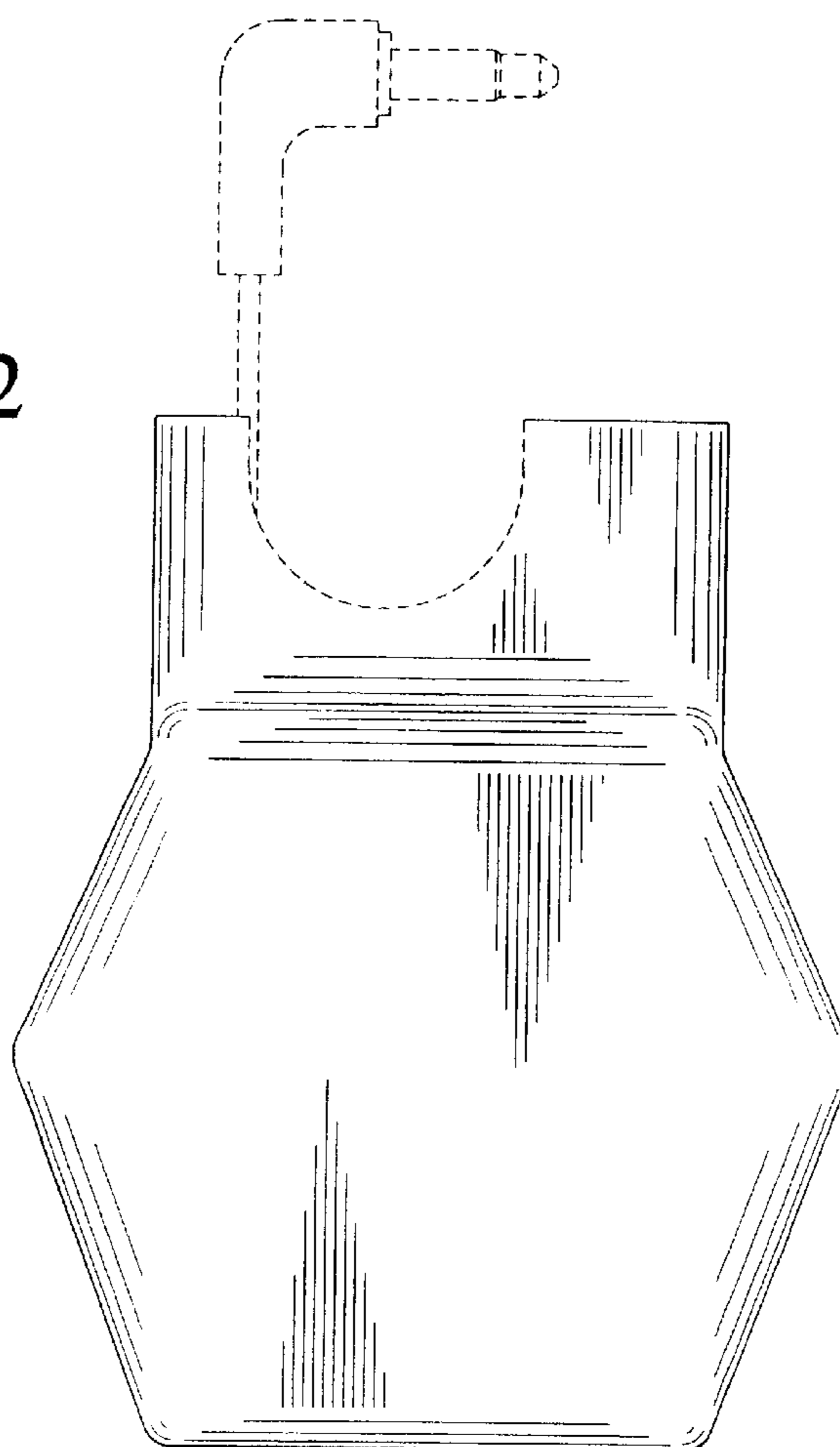


FIG.3

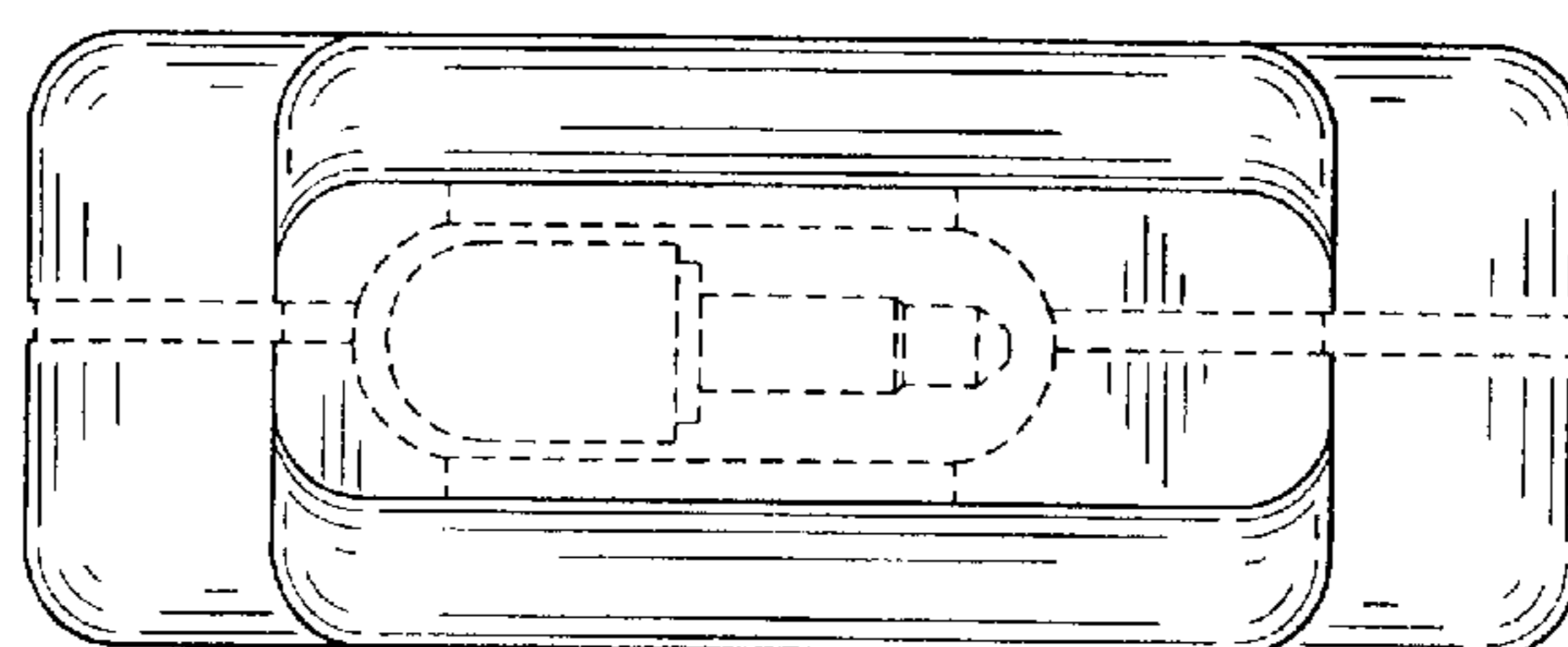


FIG.4

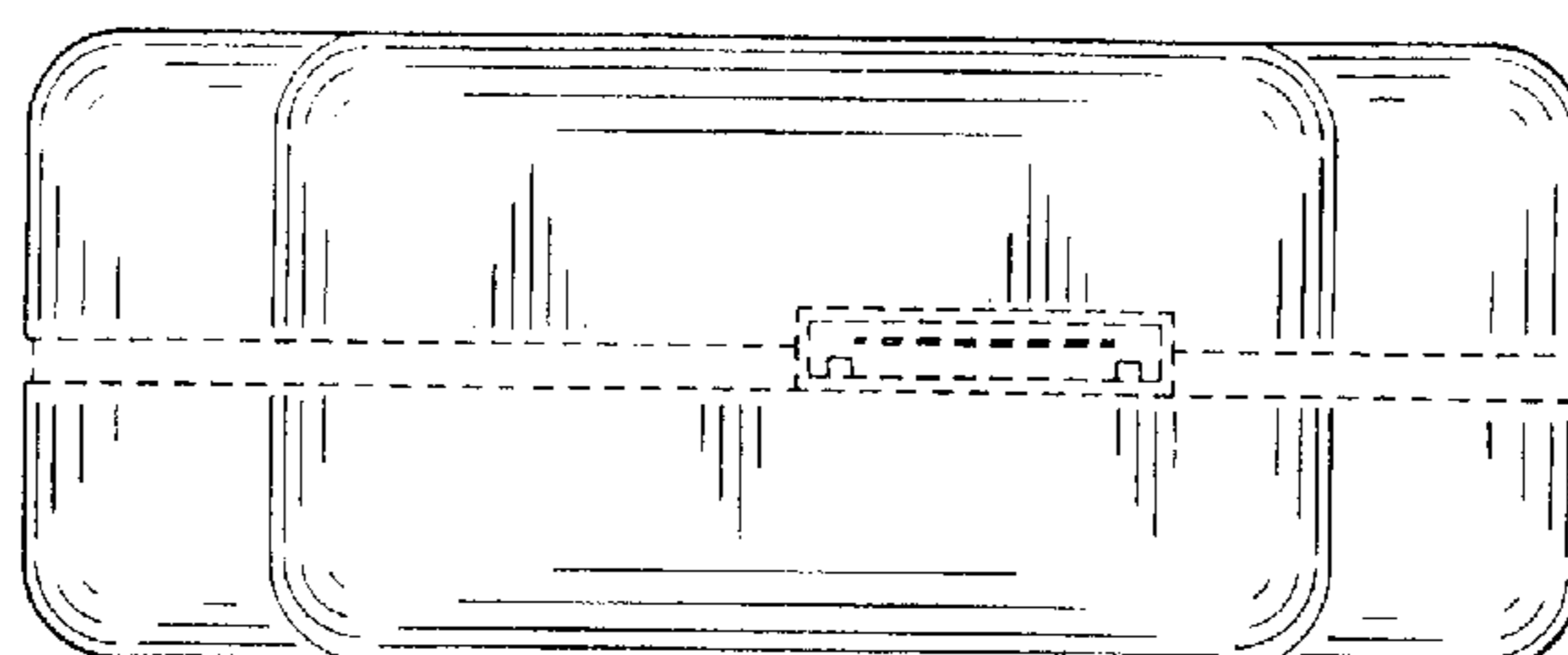


FIG.5

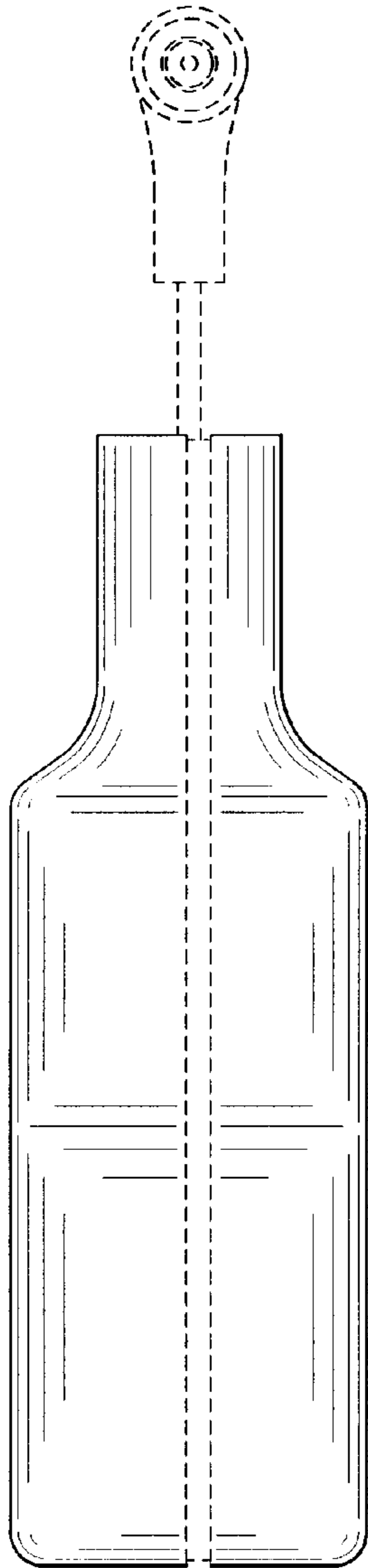


FIG.6

