



US00D518775S

(12) **United States Design Patent** (10) **Patent No.:** **US D518,775 S**  
**Christianson et al.** (45) **Date of Patent:** **\*\* Apr. 11, 2006**

(54) **MEDIA CONNECTOR**  
 (75) Inventors: **Tristan M. Christianson**, San Francisco, CA (US); **Richard J. Thalheimer**, San Francisco, CA (US)

6,011,686 A 1/2000 Grasso et al.  
 D434,663 S \* 12/2000 Jones et al. .... D9/516  
 6,183,304 B1 \* 2/2001 Hollander et al. .... 439/620  
 D449,583 S \* 10/2001 Goto ..... D13/154  
 6,327,507 B1 12/2001 Buchan  
 D459,303 S \* 6/2002 Florescu ..... D13/133  
 D465,784 S \* 11/2002 Lin ..... D14/433

(73) Assignee: **Sharper Image Corporation**, San Francisco, CA (US)

(Continued)

(\*\*) Term: **14 Years**

*Primary Examiner*—Holly Baynham  
*Assistant Examiner*—Cynthia M. Chin

(21) Appl. No.: **29/229,879**

(74) *Attorney, Agent, or Firm*—Bell, Boyd & Lloyd, LLC

(22) Filed: **May 13, 2005**

(57) **CLAIM**

(51) **LOC (8) Cl.** ..... **13-03**  
 (52) **U.S. Cl.** ..... **D13/133; D14/217**  
 (58) **Field of Classification Search** ..... D13/133,  
 D13/139.7, 154, 156; D14/217, 356, 432,  
 D14/433, 447; D9/516, 526, 523, 737, 738,  
 D9/751; 206/409, 701, 702; 439/620; 174/135,  
 174/138 F; 381/182, 370, 371  
 See application file for complete search history.

The ornamental design for a media connector, as shown and described.

**DESCRIPTION**

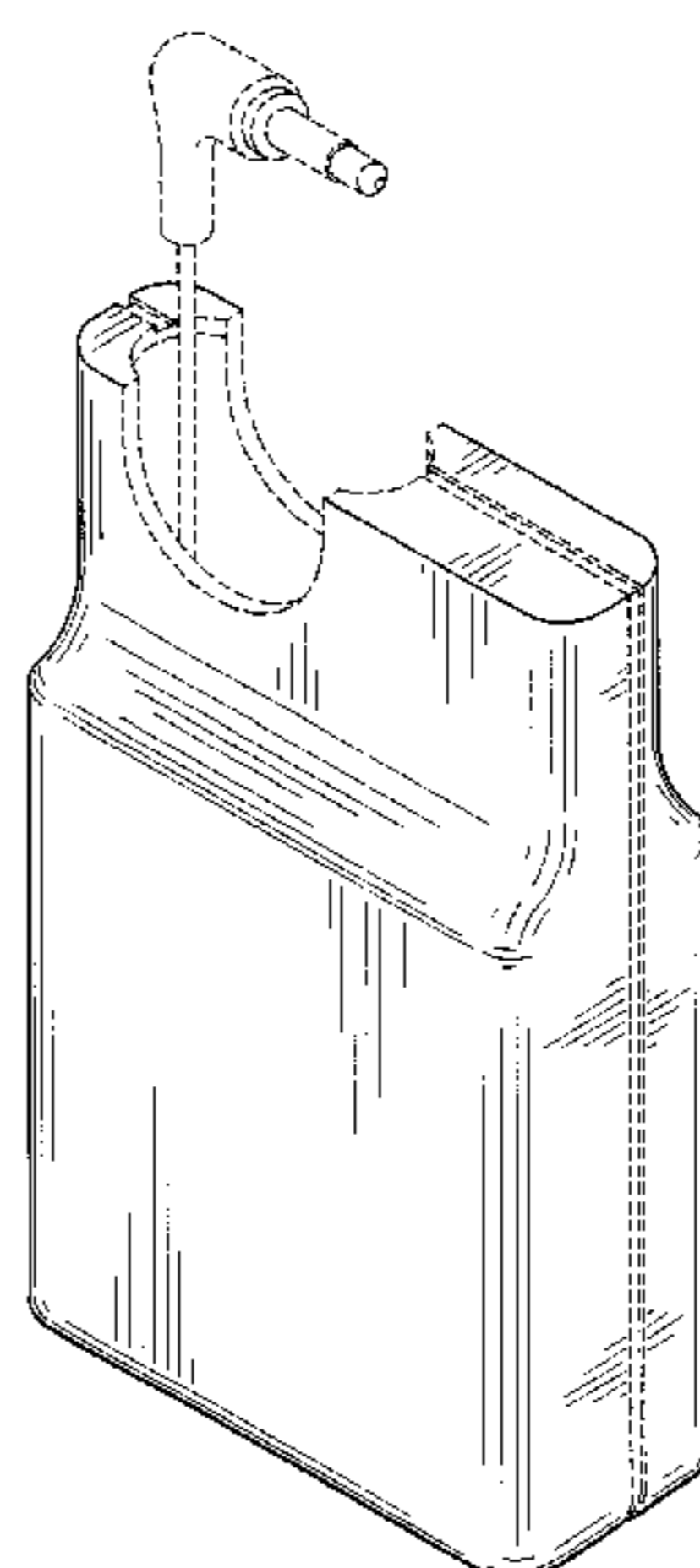
(56) **References Cited**

U.S. PATENT DOCUMENTS

3,798,389	A	3/1974	Tokizaki	
D256,010	S	* 7/1980	Fry	D13/156
4,650,073	A	* 3/1987	Young	206/409
4,691,383	A	9/1987	DeMars	
4,942,617	A	7/1990	Boylan	
D331,907	S	* 12/1992	Hollander et al.	D13/133
D332,084	S	* 12/1992	Hollander et al.	D13/133
5,339,461	A	8/1994	Luplow	
D357,416	S	* 4/1995	Valentine	D9/516
5,641,067	A	6/1997	Ellis	
D382,542	S	* 8/1997	Nakamura	D13/156
5,671,833	A	9/1997	Edwards et al.	
D390,193	S	* 2/1998	Ronchetti	D13/156
D390,194	S	* 2/1998	Thomas	D13/158
D390,536	S	* 2/1998	Austin	D13/156
D393,830	S	* 4/1998	Tobler et al.	D13/133
5,832,098	A	11/1998	Chen	
5,887,720	A	* 3/1999	Lin	206/702
D408,384	S	* 4/1999	Hata et al.	D14/433
D413,301	S	* 8/1999	Goto et al.	D13/133

FIG. 1 is a perspective view of the present media connector, wherein the portion of the media connector shown in phantom is not part of the design sought to be patented and is provided for environmental purposes only.  
 FIG. 2 is a front view of FIG. 1, wherein the portion of the media connector shown in phantom is not part of the design sought to be patented and is provided for environmental purposes only.  
 FIG. 3 is a top view of FIG. 1, wherein the portion of the media connector shown in phantom is not part of the design sought to be patented and is provided for environmental purposes only.  
 FIG. 4 is a bottom view of FIG. 1, wherein the portion of the media connector shown in phantom is not part of the design sought to be patented and is provided for environmental purposes only.  
 FIG. 5 is a left side view of FIG. 1, wherein the portion of the media connector shown in phantom is not part of the design sought to be patented and is provided for environmental purposes only; and,  
 FIG. 6 is a right side view of FIG. 1, wherein the portion of the media connector shown in phantom is not part of the design sought to be patented and is provided for environmental purposes only.

**1 Claim, 3 Drawing Sheets**



# US D518,775 S

Page 2

---

## U.S. PATENT DOCUMENTS

6,480,611 B1	11/2002	Hashimoto et al.		
D469,770 S *	2/2003	Carpenter et al. ....	D14/433	
6,542,757 B1	4/2003	Bae		
D475,682 S *	6/2003	Li et al. ....	D13/133	
6,616,080 B1	9/2003	Edwards et al.		
D485,185 S *	1/2004	Versace ....	D9/523	
6,712,304 B1	3/2004	Taylor		
				D489,069 S * 4/2004 Lin ..... D14/433
				6,803,525 B1 10/2004 Liao
				6,834,820 B1 12/2004 Wei
				6,847,724 B1 1/2005 Weng et al.
				D501,447 S * 2/2005 Greenwood et al. .... D13/133
				2005/0145522 A1 * 7/2005 Bloodworth et al. .... 206/409

\* cited by examiner

FIG.1

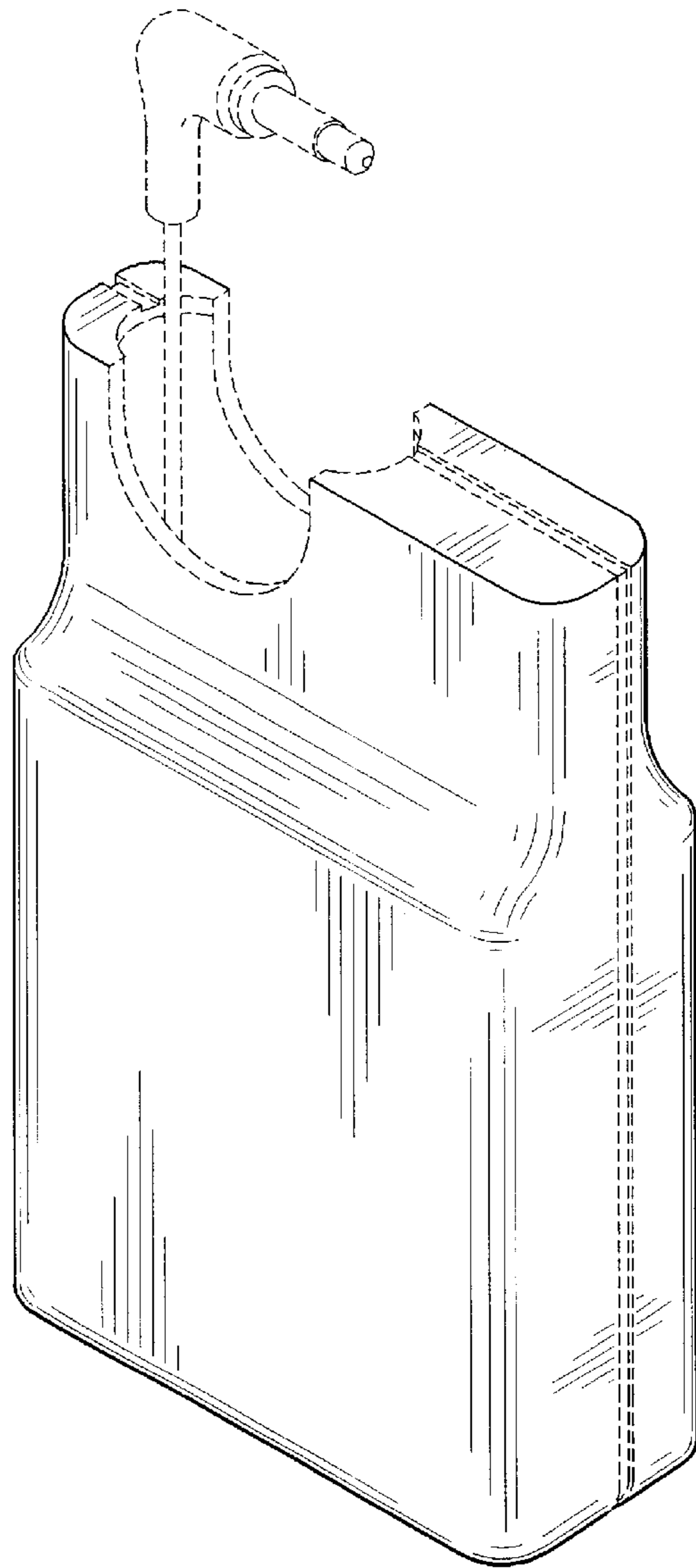


FIG. 2

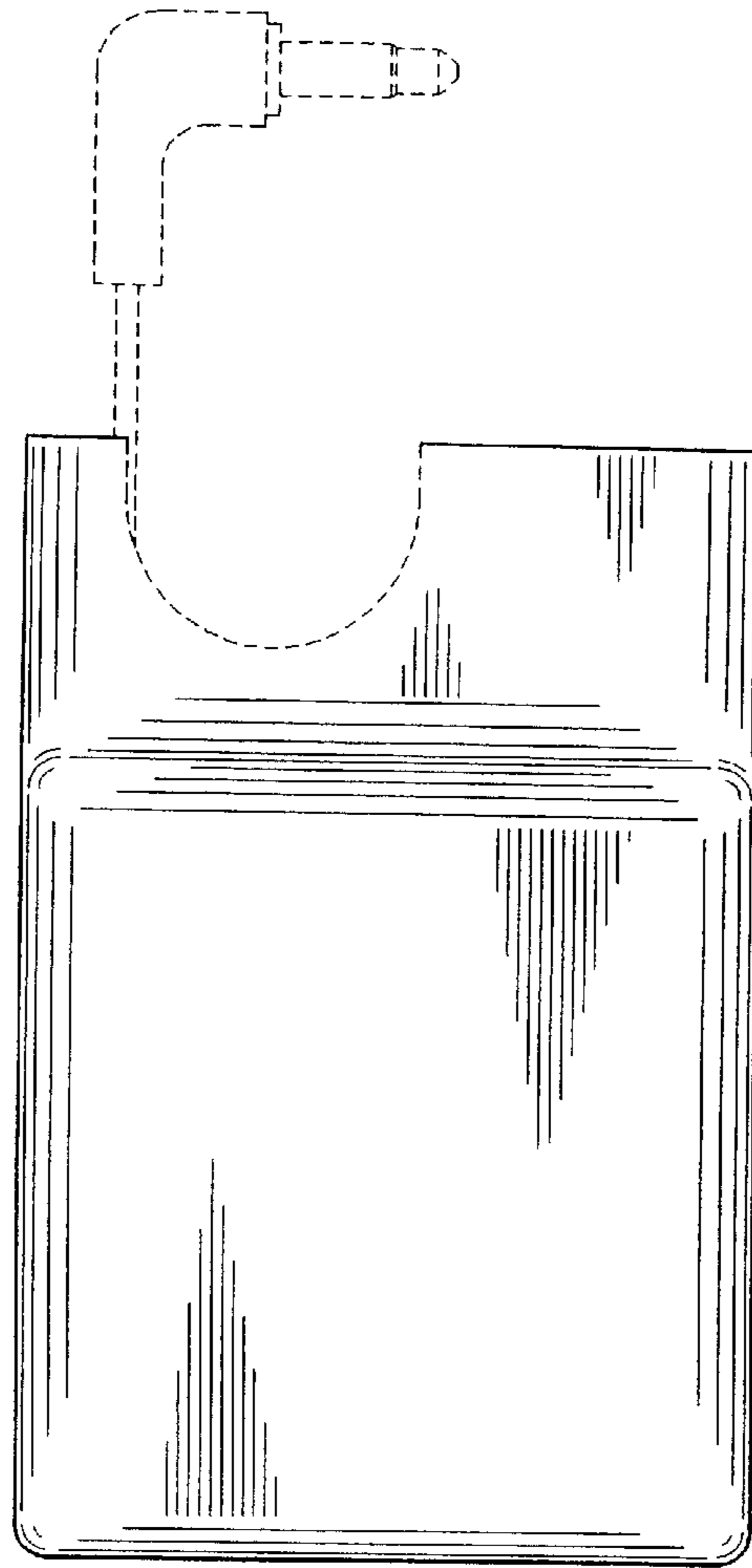


FIG. 3

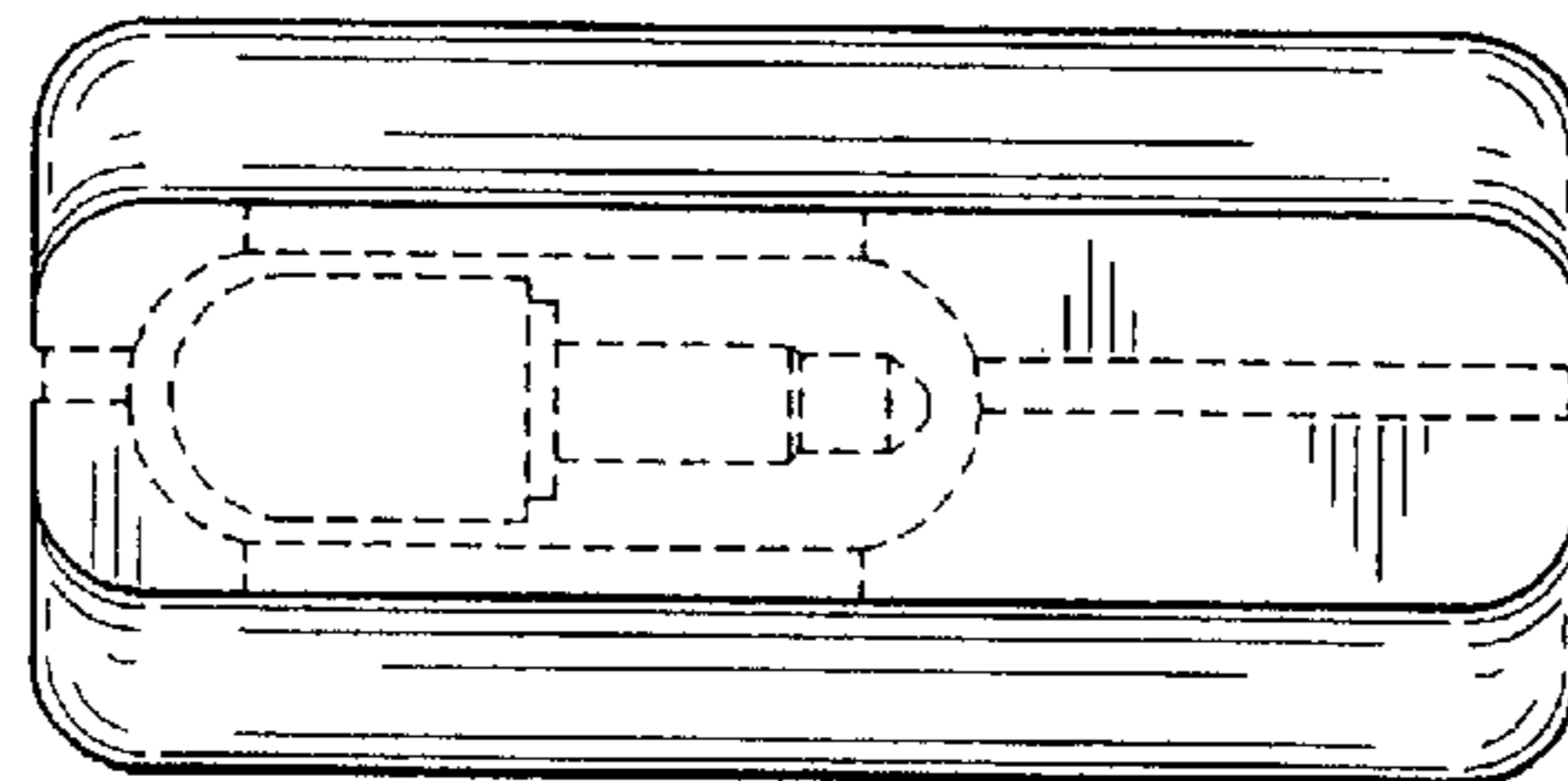


FIG. 4

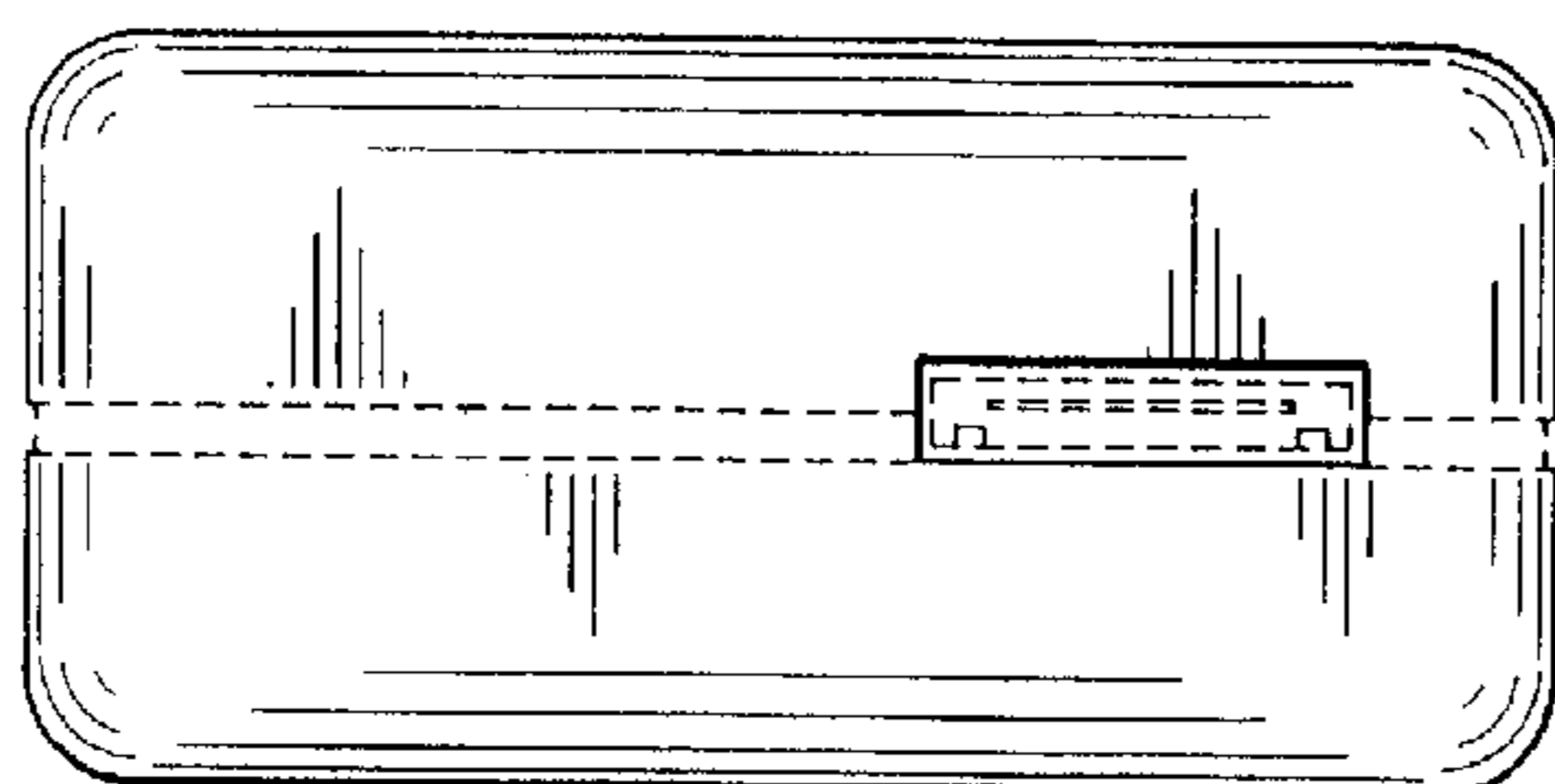


FIG.5

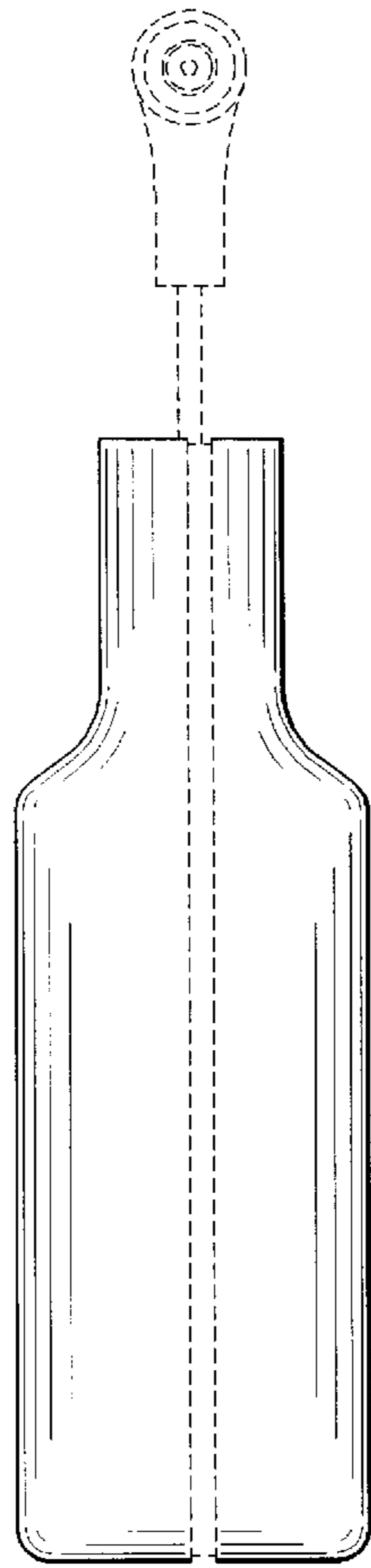


FIG.6

