



US00D518773S

(12) **United States Design Patent**  
**Kurasaki**

(10) **Patent No.:** **US D518,773 S**

(45) **Date of Patent:** **\*\* Apr. 11, 2006**

(54) **CONNECTOR HOUSING**

(75) Inventor: **Naoki Kurasaki**, Osaka (JP)

(73) Assignee: **J.S.T. Mfg. Co., Ltd.**, Osaka (JP)

(\*\*) Term: **14 Years**

(21) Appl. No.: **29/208,389**

(22) Filed: **Jun. 28, 2004**

(30) **Foreign Application Priority Data**

Dec. 29, 2003 (JP) ..... 2003-39265

(51) **LOC (8) Cl.** ..... **13-03**

(52) **U.S. Cl.** ..... **D13/133**

(58) **Field of Classification Search** ..... D13/133,  
D13/146, 147, 184, 199; 439/350, 352, 353,  
439/354, 357, 358, 752

See application file for complete search history.

(56) **References Cited**

**U.S. PATENT DOCUMENTS**

D208,551 S	*	9/1967	Geis, Jr.	.....	D13/133
D310,993 S	*	10/1990	Ohkura et al.	.....	D13/146
5,391,090 A	*	2/1995	Power	.....	439/354
D415,107 S	*	10/1999	Avery et al.	.....	D13/147
D476,627 S	*	7/2003	Ushiro et al.	.....	D13/147
D492,256 S	*	6/2004	Wu	.....	D13/147

2005/0101176 A1 \* 5/2005 Kachlic ..... 439/352

\* cited by examiner

*Primary Examiner*—Stella Reid

*Assistant Examiner*—Daniel Bui

(74) *Attorney, Agent, or Firm*—Jordan and Hamburg LLP

(57) **CLAIM**

The ornamental design for connector housing, as shown and described.

**DESCRIPTION**

FIG. 1 is a front elevational view of a connector housing showing my new design;

FIG. 2 is a rear elevational view thereof;

FIG. 3 is a right side elevational view thereof, the left side elevational view being a mirror image of that shown;

FIG. 4 is a top plan view thereof;

FIG. 5 is a bottom plan view thereof;

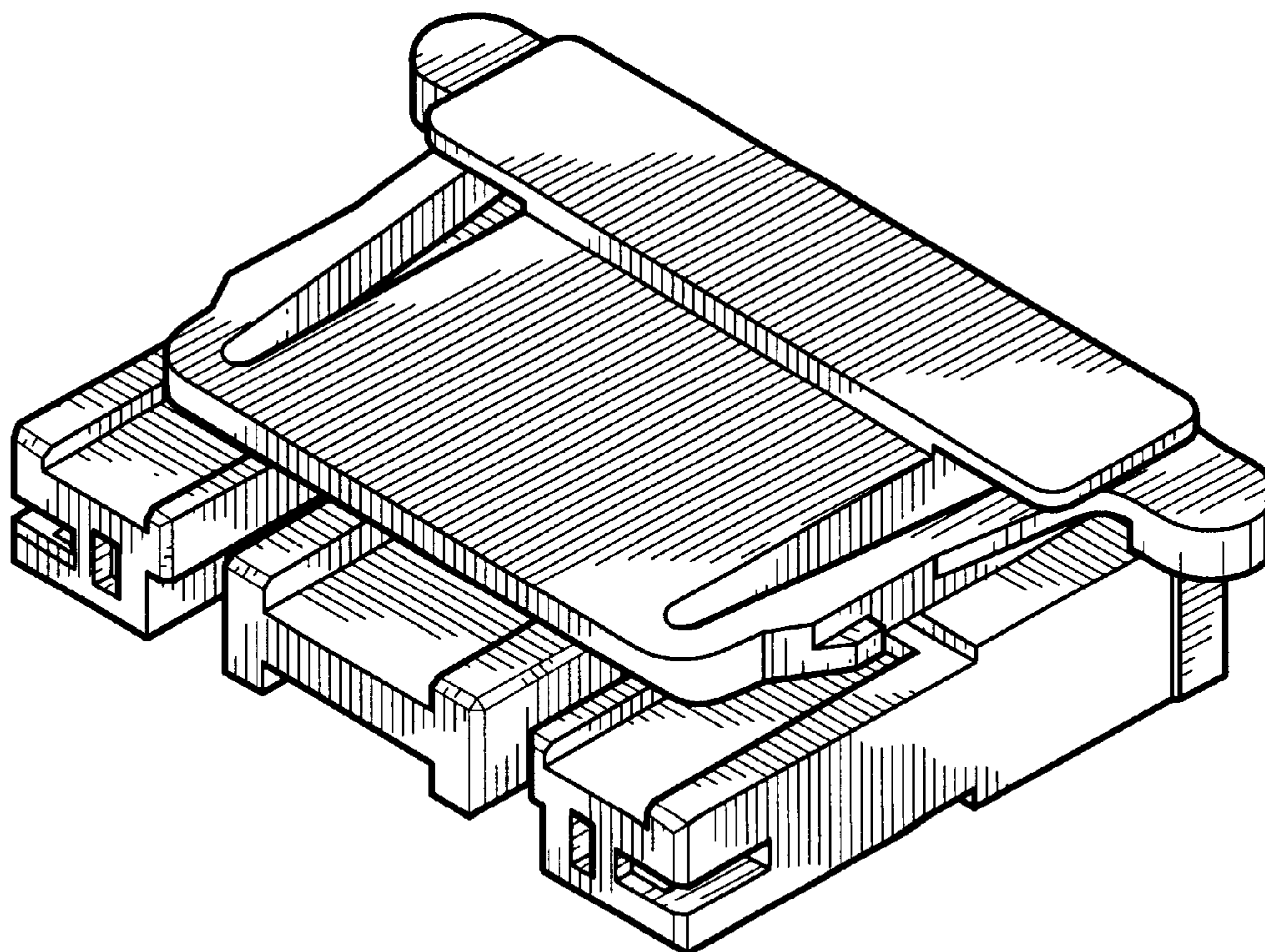
FIG. 6 is a sectional view thereof taken along the line 6—6 in FIG. 1;

FIG. 7 is a sectional view thereof taken along the line 7—7 in FIG. 1;

FIG. 8 is a sectional view thereof taken along the line 8—8 in FIG. 1; and,

FIG. 9 is a perspective view thereof.

**1 Claim, 4 Drawing Sheets**



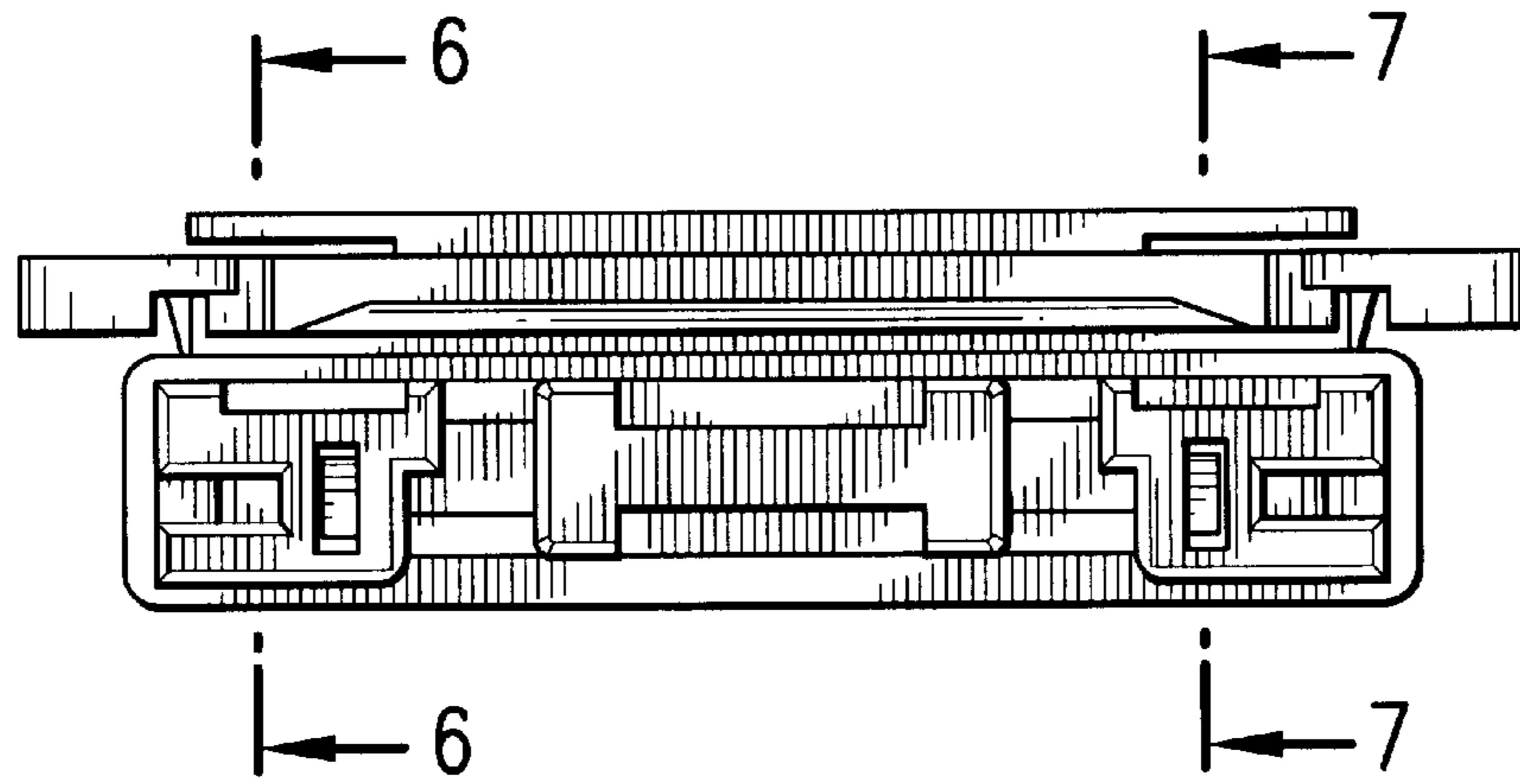


FIG. 1

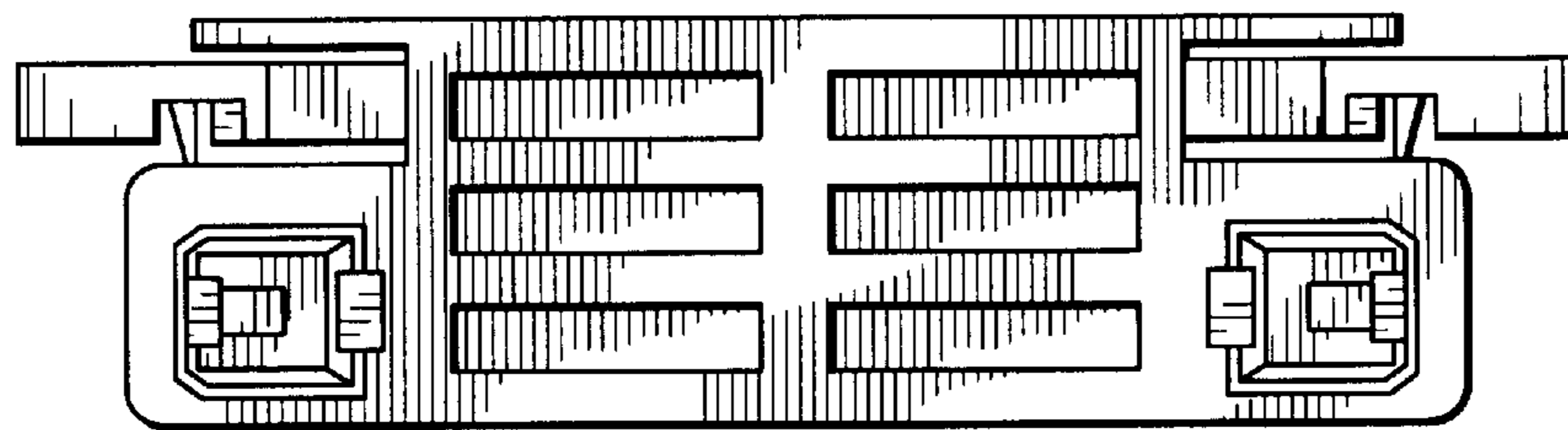


FIG. 2

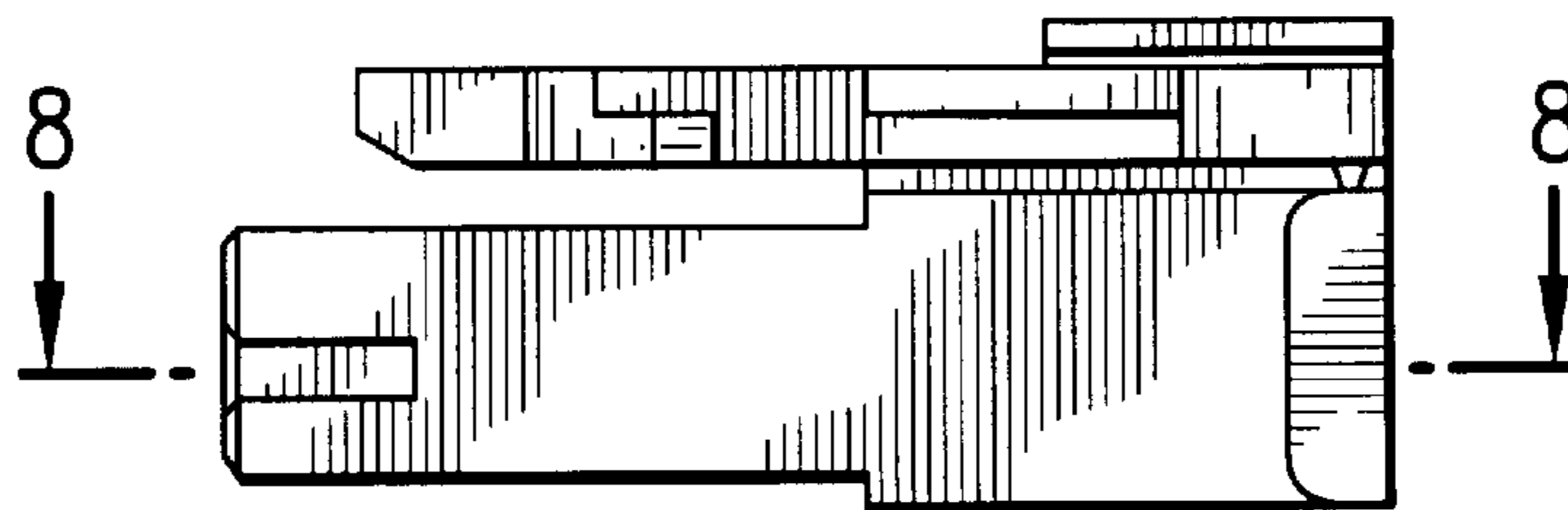


FIG. 3

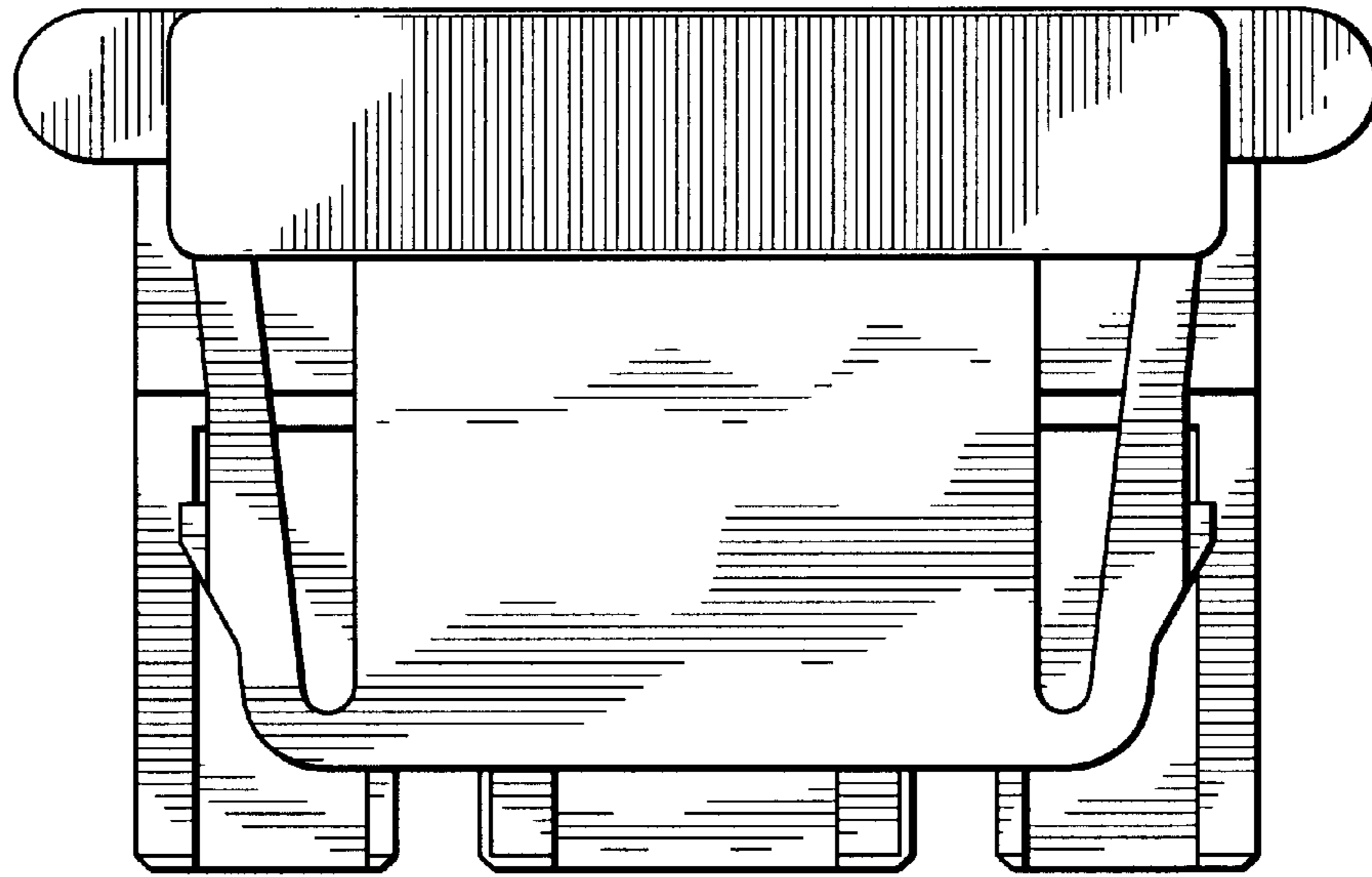


FIG. 4

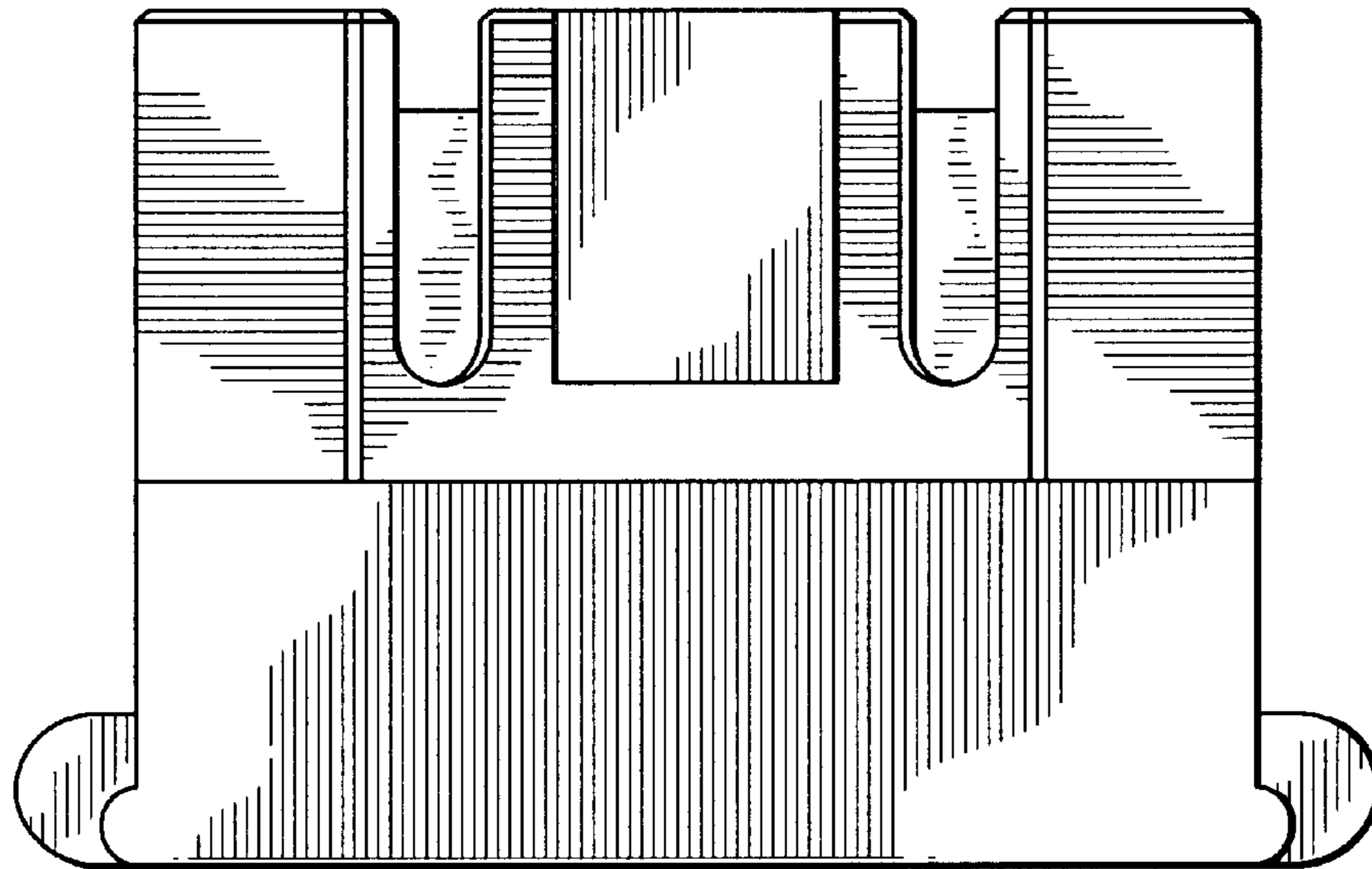


FIG. 5

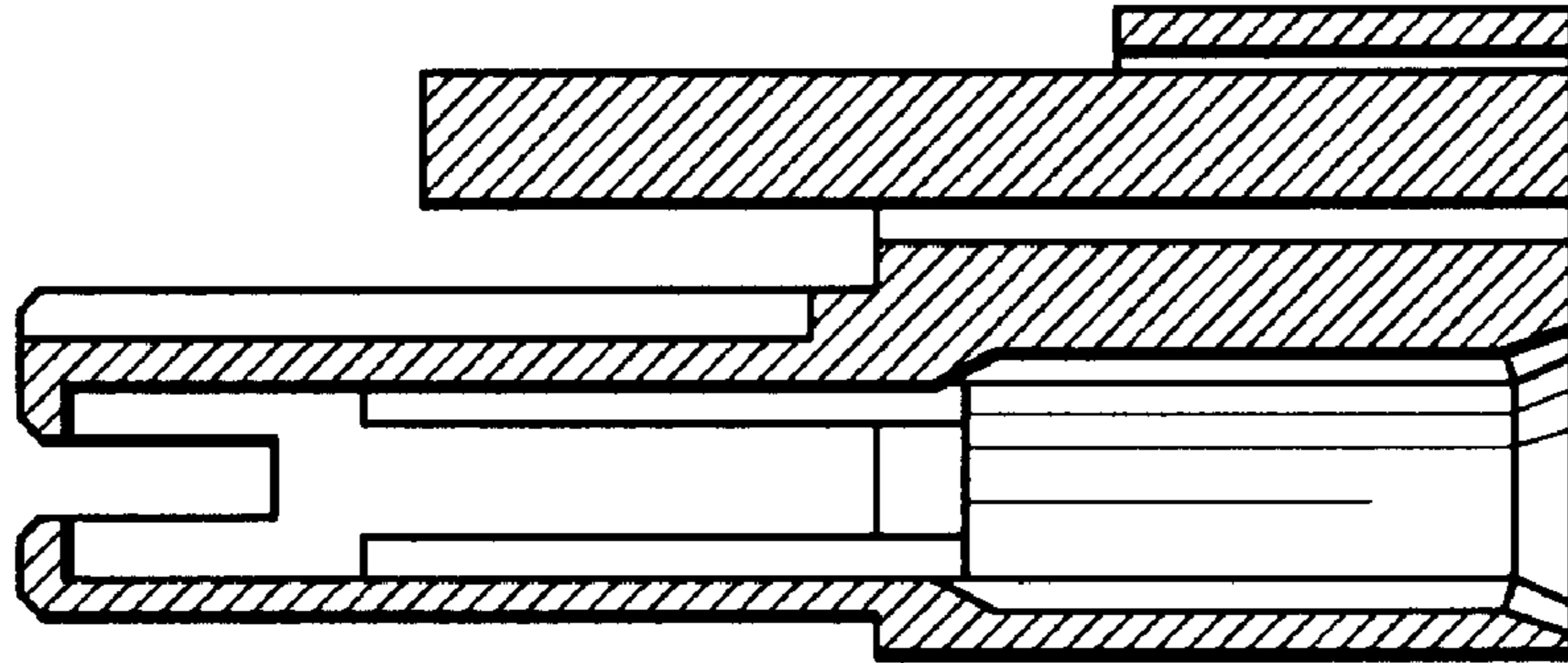


FIG. 6

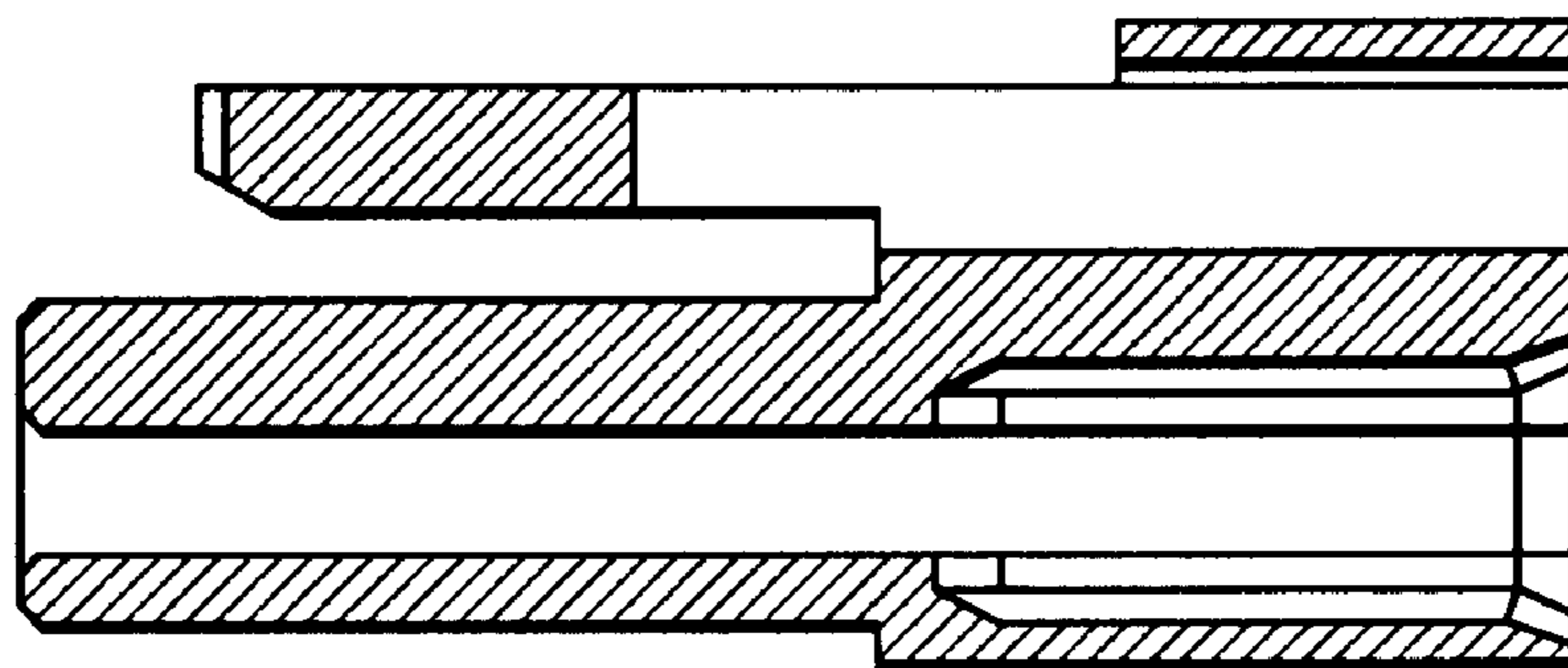


FIG. 7

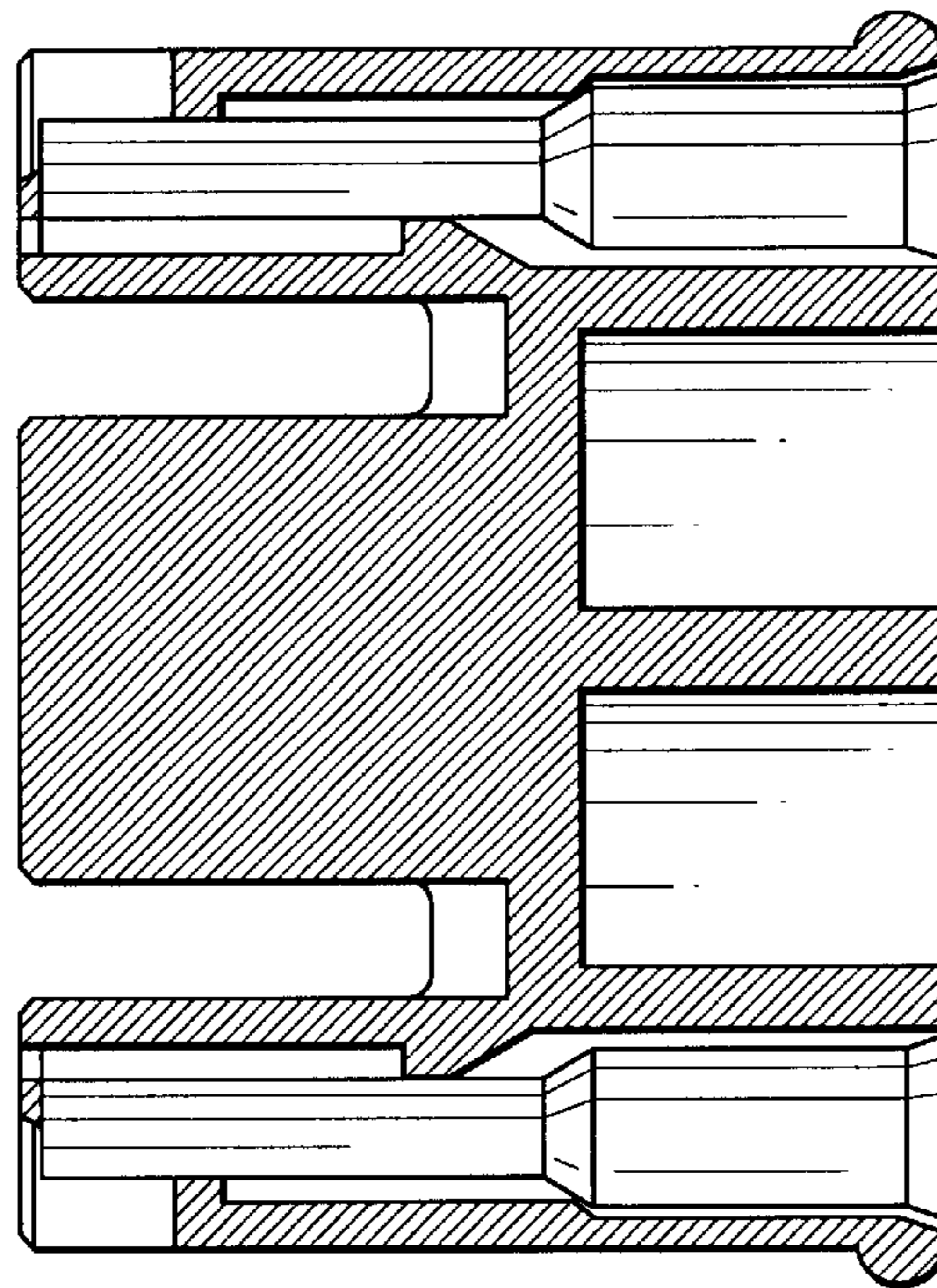


FIG. 8

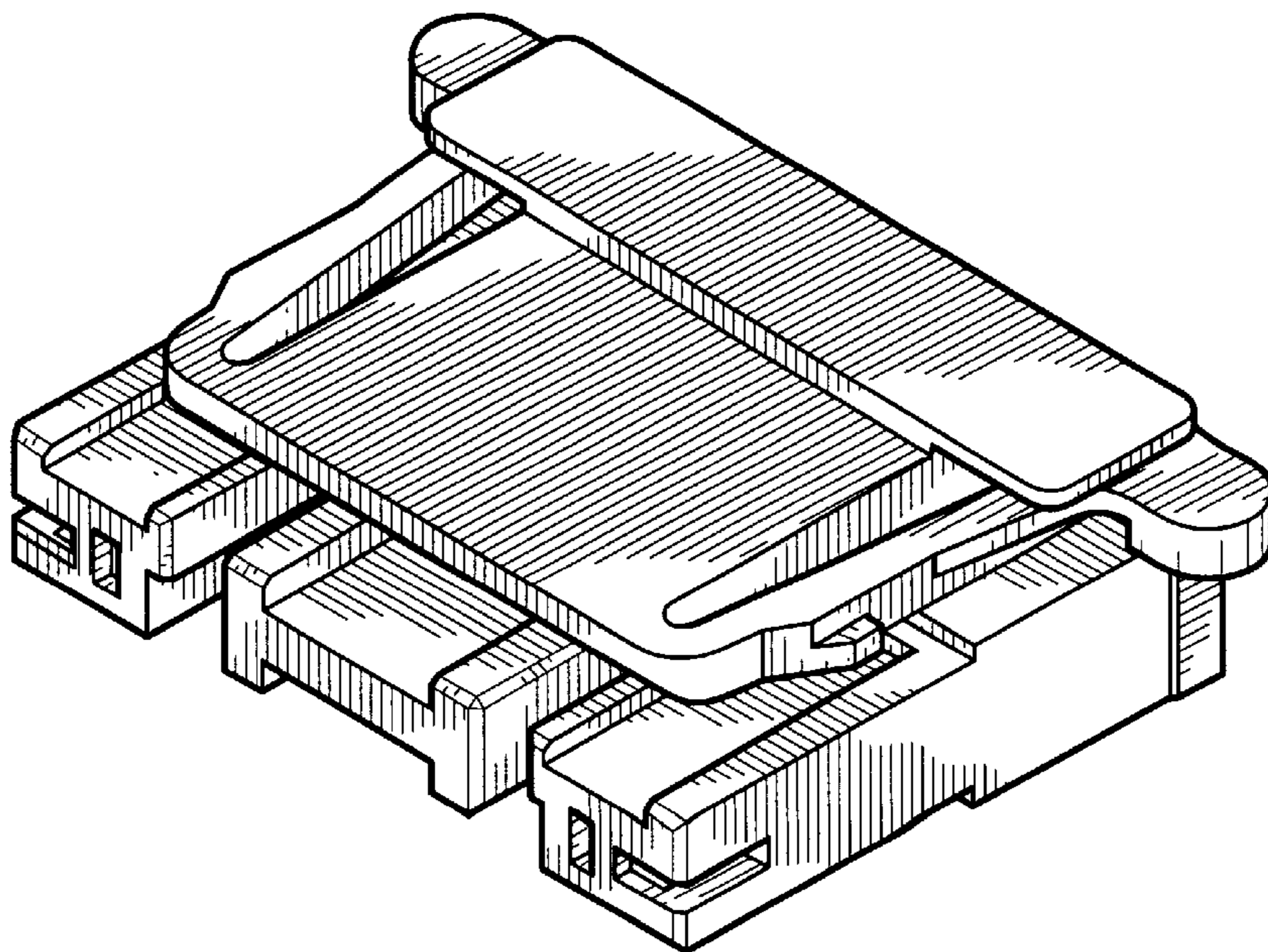


FIG. 9