



US00D518768S

(12) **United States Design Patent**
Mah et al.

(10) **Patent No.:** **US D518,768 S**

(45) **Date of Patent:** **** Apr. 11, 2006**

(54) **UNDERWATER MOTIVE DEVICE**

(75) Inventors: **Pat Y. Mah**, Kowloon (HK);
Alexander Joseph Kalogroulis,
Coulsdon (GB)

(73) Assignee: **Daka Research Inc. (Br. Virg. Isl**
Corp.) Offshore Incorporations,
Tortolla (VG)

(**) Term: **14 Years**

(21) Appl. No.: **29/224,915**

(22) Filed: **Mar. 7, 2005**

(51) **LOC (8) Cl.** **12-06**

(52) **U.S. Cl.** **D12/317**

(58) **Field of Classification Search** D12/300-318;
114/312, 314, 315, 337, 330, 331, 434; 440/56,
440/65

See application file for complete search history.

(56) **References Cited**

U.S. PATENT DOCUMENTS

1,793,973 A * 2/1931 Stamegna et al. 114/283

D188,014 S * 5/1960 Walcot D12/308
4,315,475 A * 2/1982 Echols 114/61.24
4,555,233 A * 11/1985 Klammer et al. 440/56
6,152,064 A * 11/2000 Morton 114/361

* cited by examiner

Primary Examiner—Holly Baynham
Assistant Examiner—Cynthia M. Chin

(74) *Attorney, Agent, or Firm*—Curtis L. Harrington

(57) **CLAIM**

The ornamental design for an underwater motive device, as shown and described.

DESCRIPTION

FIG. 1 is a perspective view of the underwater motive device showing our new design;

FIG. 2 is a left side view;

FIG. 3 is a right side view;

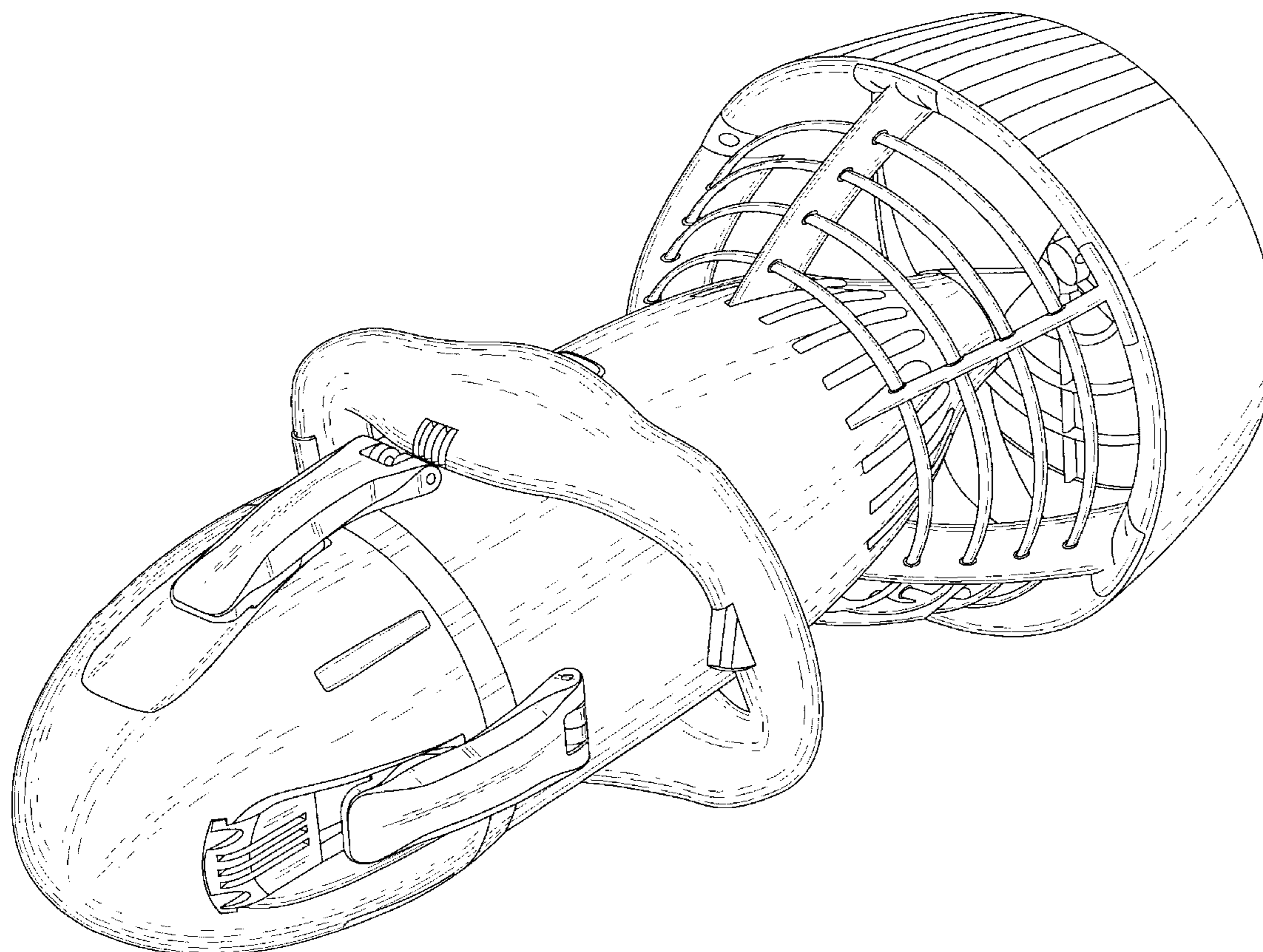
FIG. 4 is a top view;

FIG. 5 is a bottom view;

FIG. 6 is a front view; and,

FIG. 7 is a rear view.

1 Claim, 6 Drawing Sheets



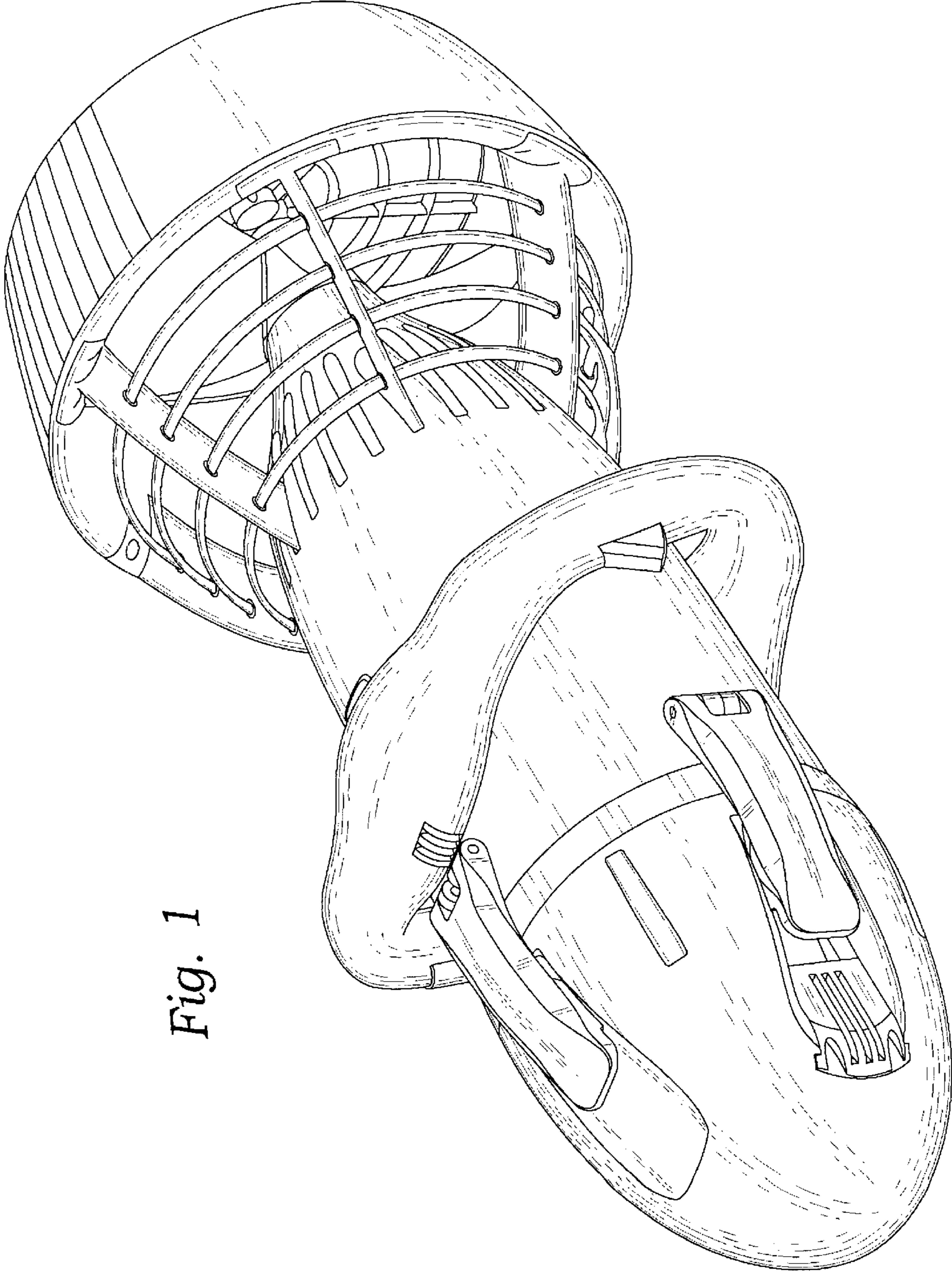


Fig. 1

Fig. 2

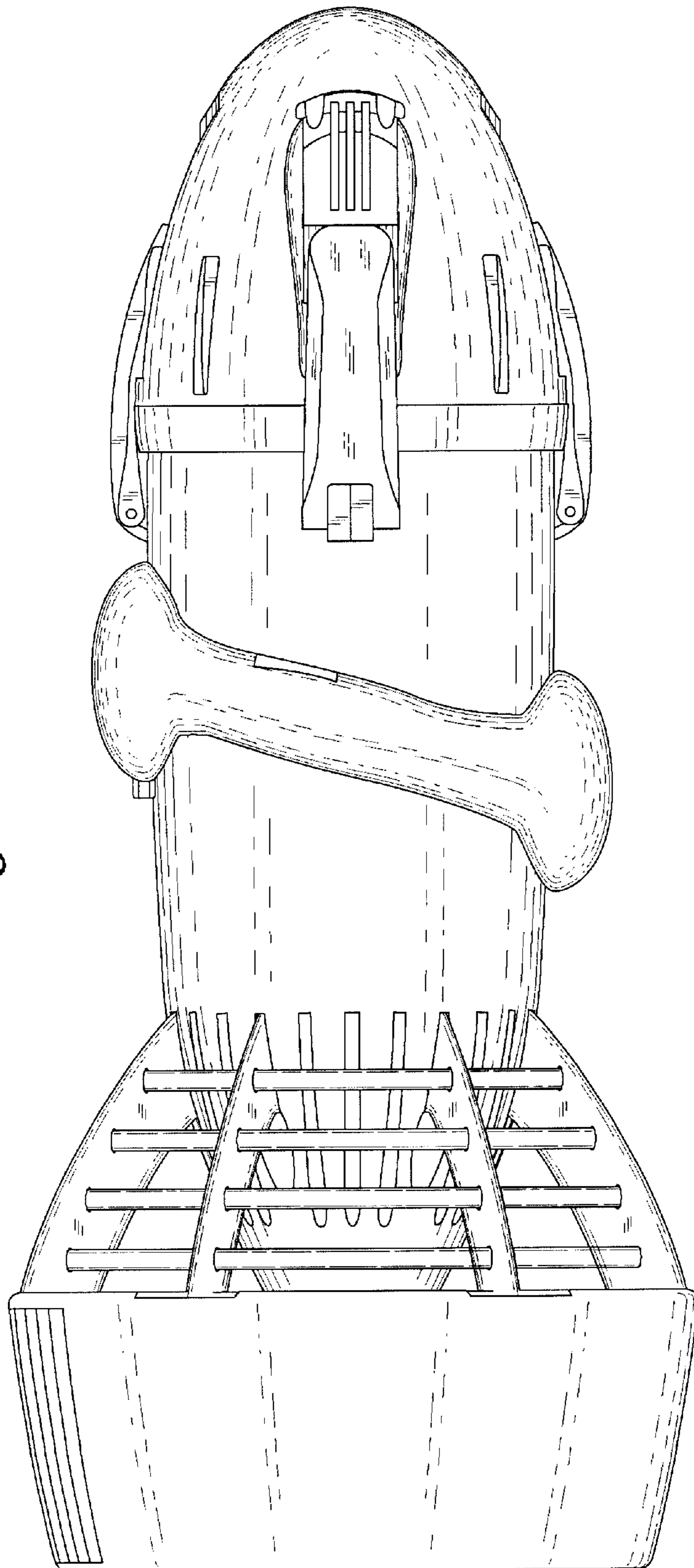


Fig. 3

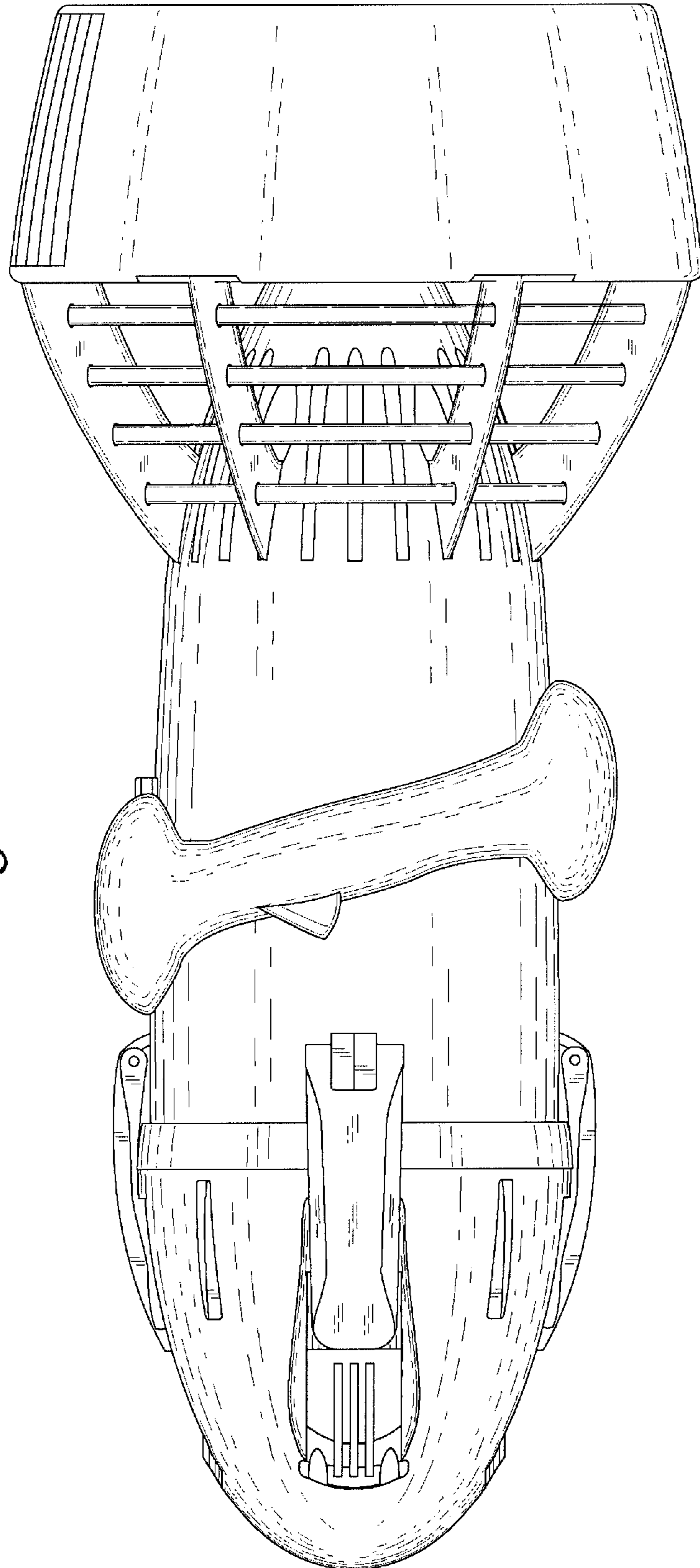


Fig. 4

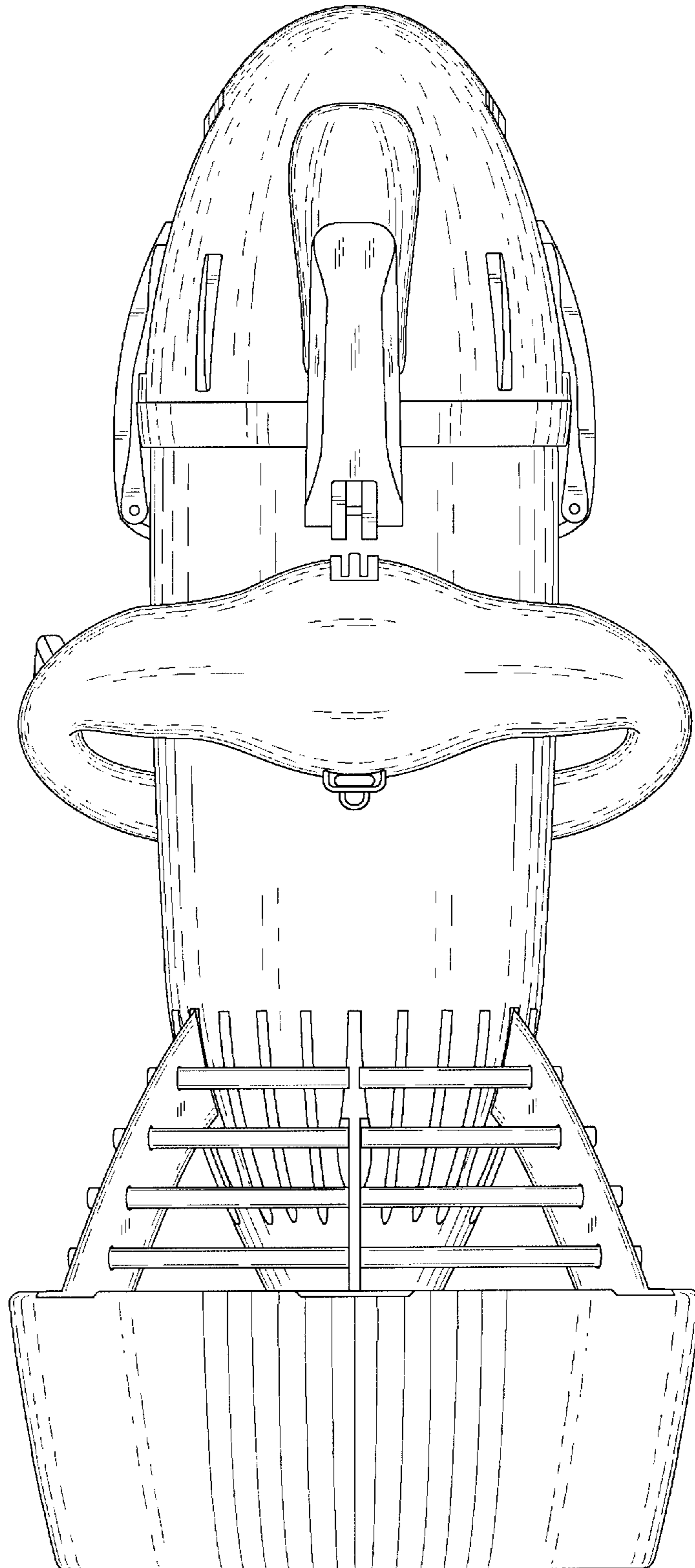


Fig. 5

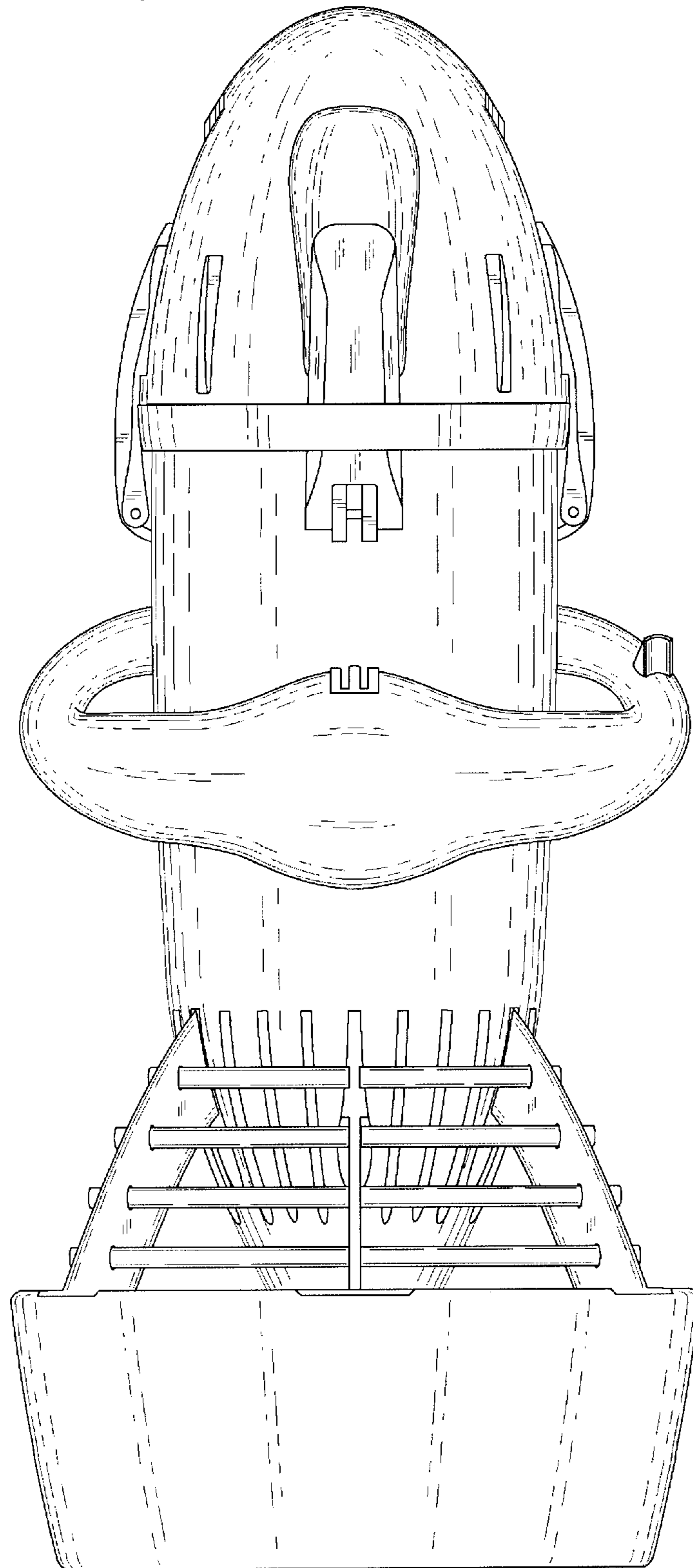


Fig. 6

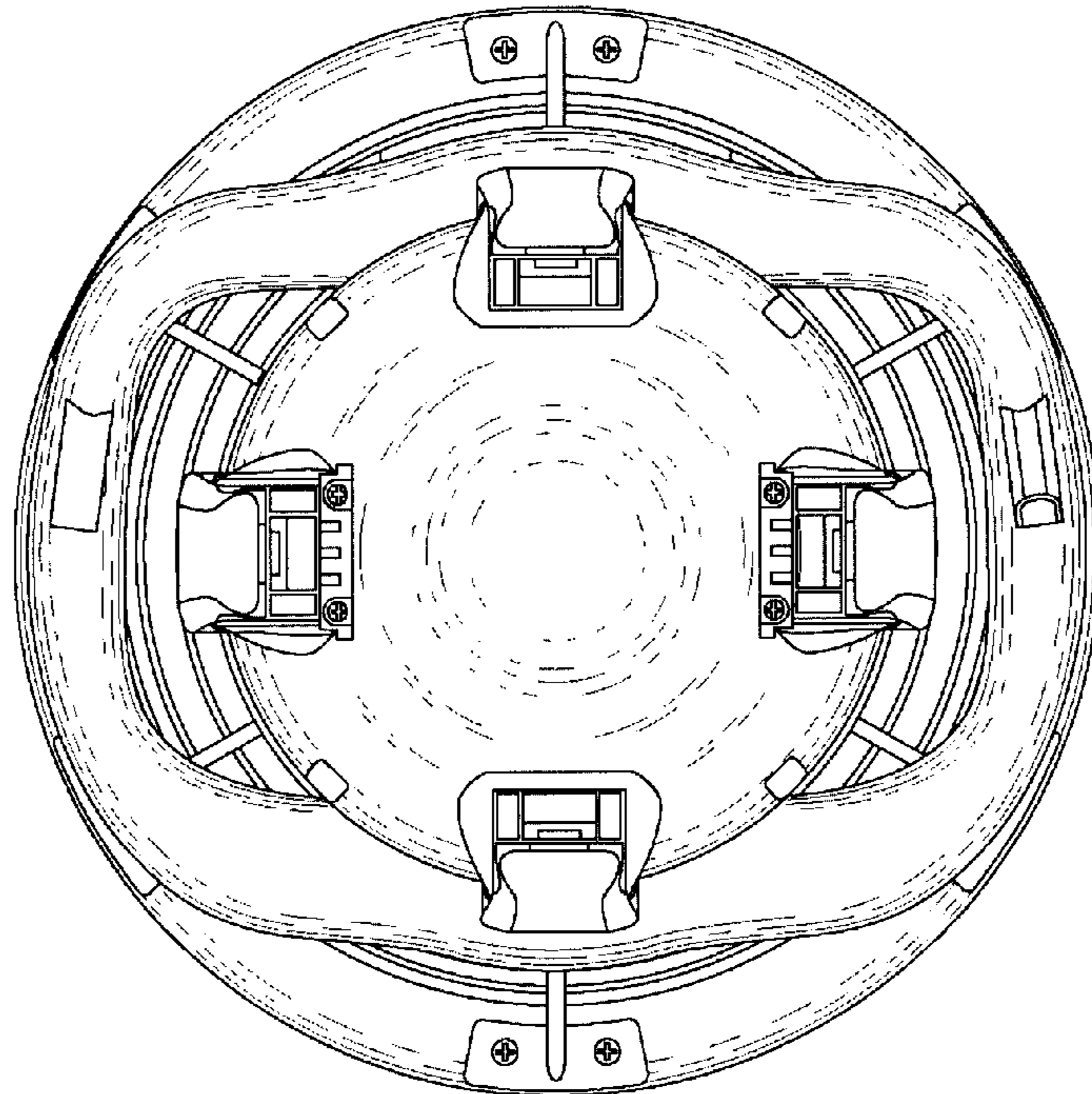


Fig. 7

