



US00D518766S

(12) **United States Design Patent**
Burns

(10) **Patent No.:** **US D518,766 S**

(45) **Date of Patent:** **** Apr. 11, 2006**

(54) **WHEEL DESIGN**

(76) **Inventor:** **Garry Burns**, P.O. Box 7513, Irvine,
CA (US) 92616

(**) **Term:** **14 Years**

(21) **Appl. No.:** **29/229,237**

(22) **Filed:** **May 4, 2005**

(51) **LOC (8) Cl.** **12-16**

(52) **U.S. Cl.** **D12/211**

(58) **Field of Classification Search** D12/204-213;
301/37.101, 64.101, 65

See application file for complete search history.

D479,174 S	9/2003	McMath	
D481,342 S	10/2003	Kang	
D481,348 S	10/2003	Kang	
D486,108 S	2/2004	Min	
D487,241 S	3/2004	Min	
D487,420 S	3/2004	Kang	
D490,354 S	5/2004	Kataoka	
D491,512 S	6/2004	Kataoka	
D491,871 S	6/2004	Kang	
D492,234 S	6/2004	Kataoka	
D493,403 S	7/2004	Kataoka	
D494,119 S	8/2004	Sands	
D498,195 S	* 11/2004	Guevara D12/211
D498,725 S	* 11/2004	Suciu D12/211
D500,006 S	* 12/2004	Cahyono D12/211
D500,723 S	1/2005	Alimchandani	
D505,102 S	* 5/2005	Cahyono D12/209
D507,518 S	* 7/2005	Scheu D12/209

(56) **References Cited**

U.S. PATENT DOCUMENTS

D208,542 S	* 9/1967	Halibrand D12/211
D410,617 S	6/1999	Hussaini et al.	
D412,480 S	8/1999	Hussaini et al.	
D420,320 S	2/2000	Khoury	
D427,558 S	7/2000	Neeper	
D451,461 S	12/2001	Arellano	
D458,205 S	6/2002	McCowin	
D464,924 S	* 10/2002	Singer D12/211
D466,849 S	12/2002	Lee	
D470,449 S	* 2/2003	Bernoni D12/211
D471,500 S	* 3/2003	Kataoka D12/209
D471,502 S	3/2003	McMath	
D474,439 S	5/2003	McMath	
D475,671 S	6/2003	Chung	
D476,281 S	6/2003	McMath	

* cited by examiner

Primary Examiner—Stacia Cadmus

(74) *Attorney, Agent, or Firm*—Fulwider Patton LLP

(57) **CLAIM**

The ornamental design for a wheel, as shown and described.

DESCRIPTION

FIG. 1 is a front perspective view showing my new design; FIG. 2 is a front view thereof; and, FIG. 3 is a left side view, the right side view being a mirror image thereof.

1 Claim, 2 Drawing Sheets

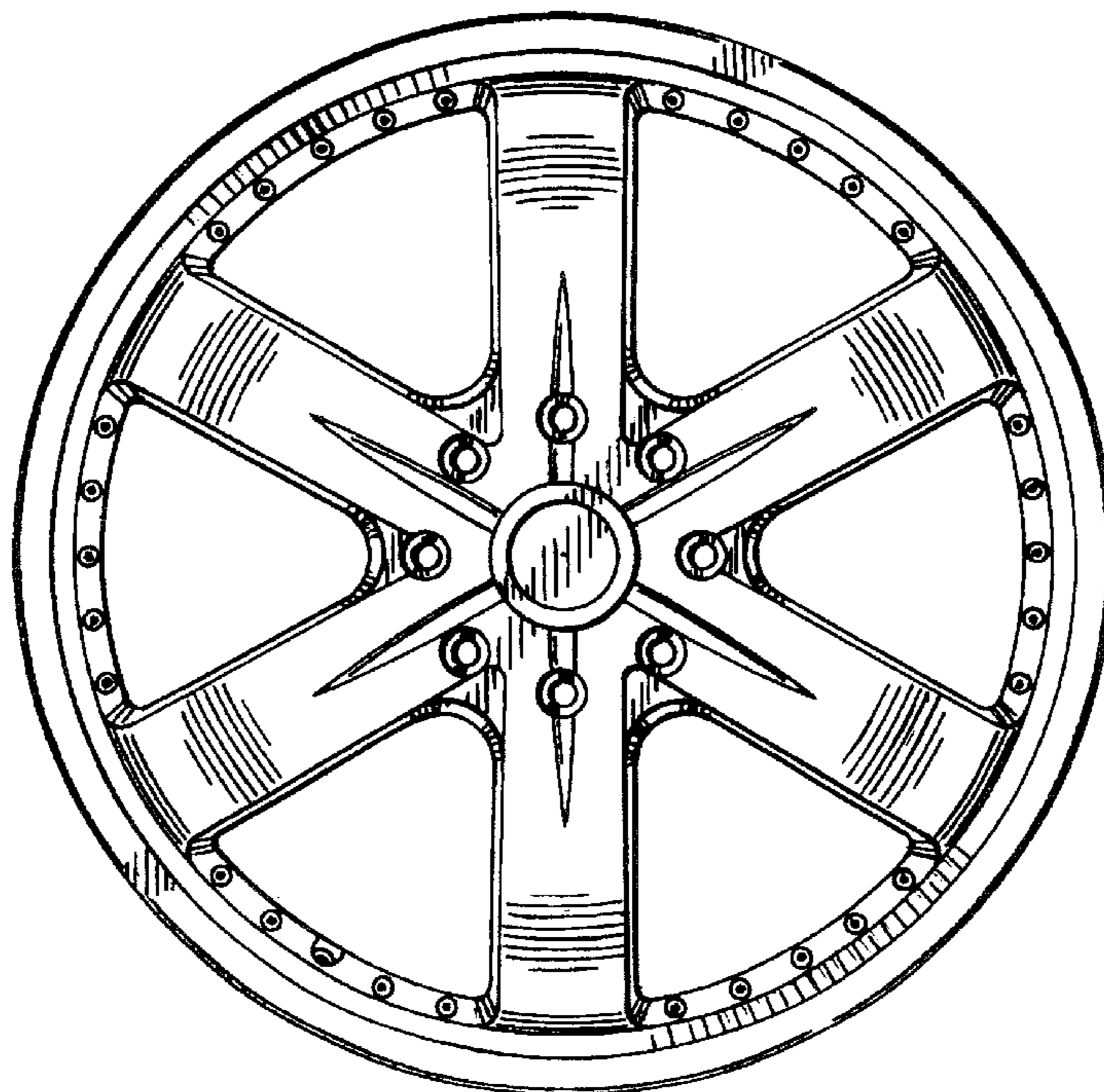


FIG. 1

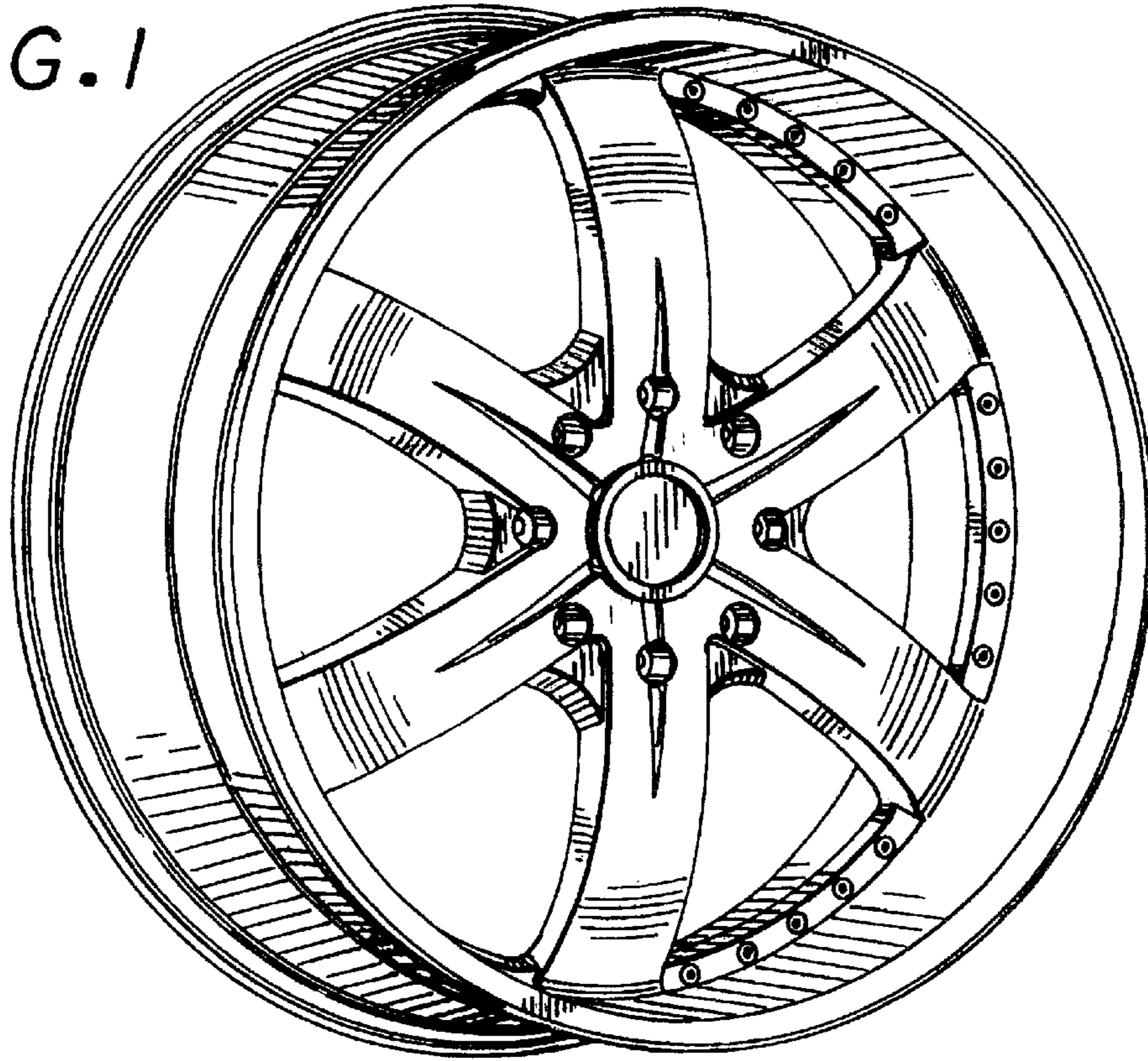


FIG. 2

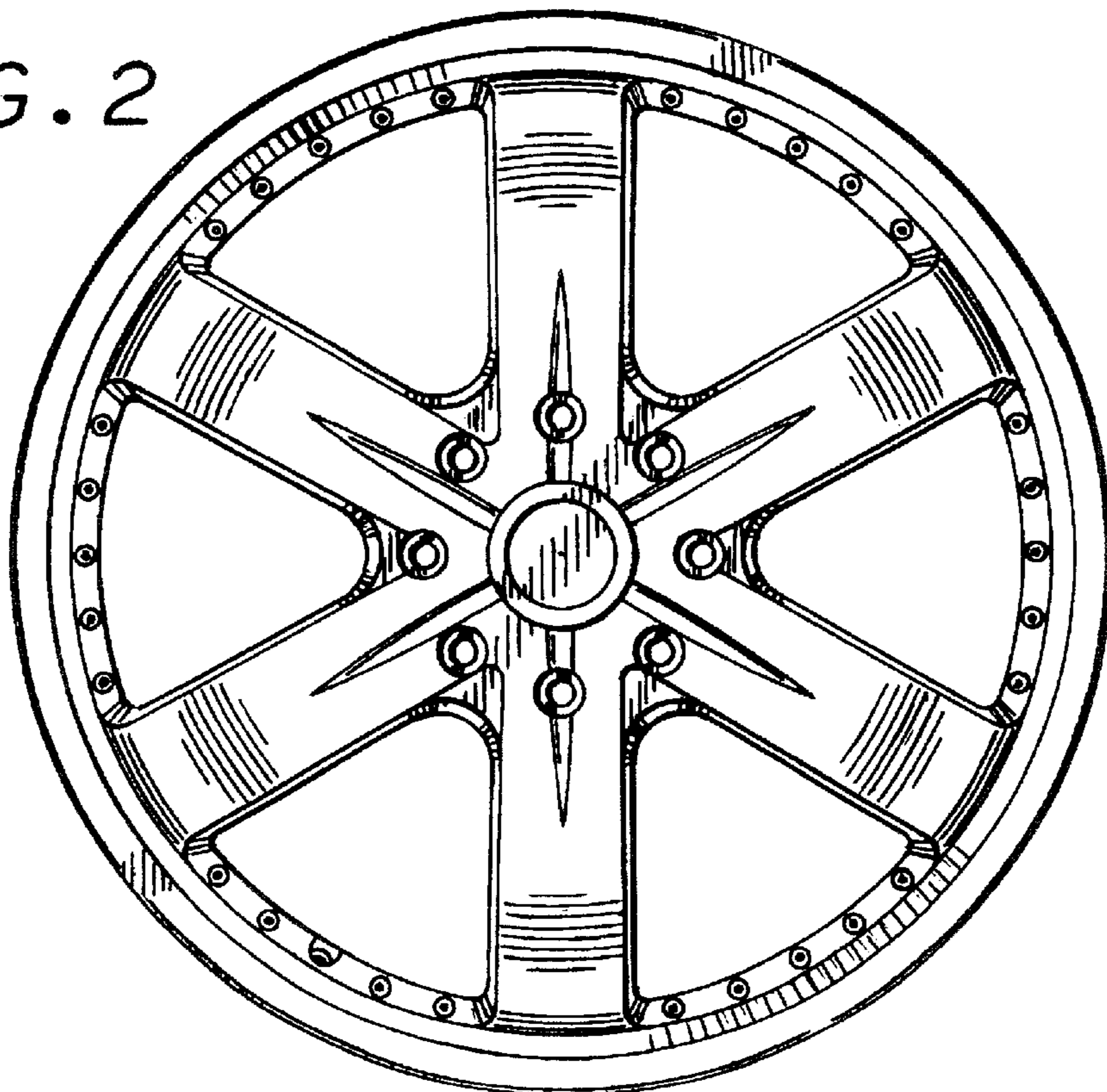


FIG. 3

