



US00D518764S

(12) **United States Design Patent**
Looho

(10) **Patent No.:** **US D518,764 S**

(45) **Date of Patent:** **** Apr. 11, 2006**

(54) **VEHICLE WHEEL**

(75) Inventor: **Justinus Looho**, Surabaya (ID)

(73) Assignee: **PT Prima Alloy Steel Universal**,
Sidoarjo (ID)

(**) Term: **14 Years**

(21) Appl. No.: **29/227,568**

(22) Filed: **Apr. 13, 2005**

(51) **LOC (8) Cl.** **12-16**

(52) **U.S. Cl.** **D12/209**

(58) **Field of Classification Search** D12/204–213;
301/37.101, 64.101, 65

See application file for complete search history.

(56) **References Cited**

U.S. PATENT DOCUMENTS

D436,339 S	*	1/2001	Fitzgerald	D12/209
D460,941 S	*	7/2002	Muzzarelli	D12/211
D474,141 S	*	5/2003	Foose	D12/211
D490,040 S	*	5/2004	Foose	D12/211

D497,869 S * 11/2004 Guevara D12/211

D500,277 S * 12/2004 Kataoka D12/209

D500,279 S * 12/2004 Kataoka D12/211

D503,916 S * 4/2005 Clarke D12/209

D505,905 S * 6/2005 Walbey, Jr. D12/209

* cited by examiner

Primary Examiner—Stacia Cadmus

(74) *Attorney, Agent, or Firm*—Fulwider Patton Lee &
Utecht, LLP

(57) **CLAIM**

The ornamental design for the “vehicle wheel,” as shown
and described.

DESCRIPTION

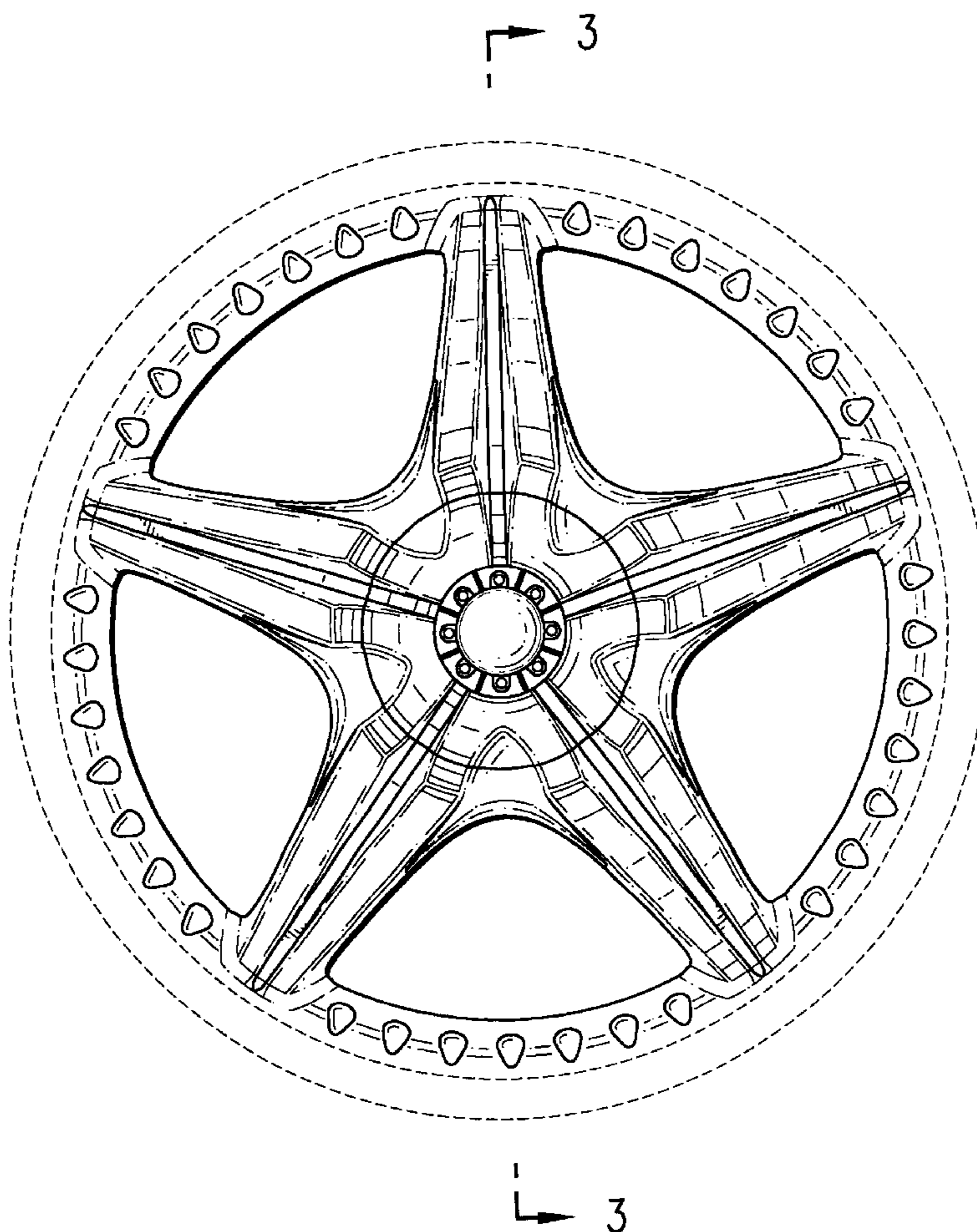
FIG. 1 is a perspective view of the vehicle wheel showing
my new design;

FIG. 2 is a front elevational view thereof; and,

FIG. 3 is a cross-sectional view taken along the lines of 3—3
of FIG. 2.

The broken line showing of environment is for illustrative
purposes only and forms no part of the claimed design.

1 Claim, 3 Drawing Sheets



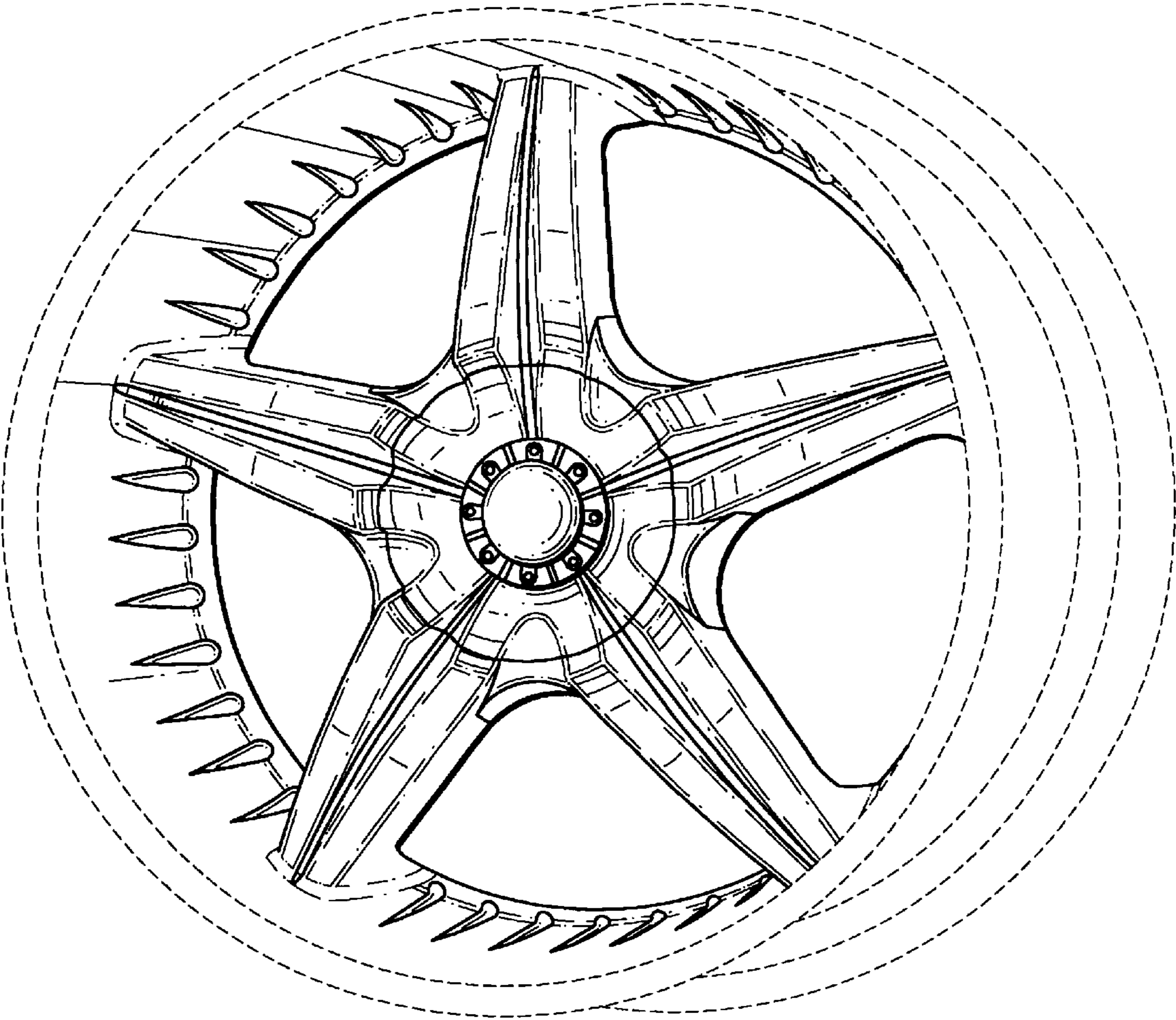
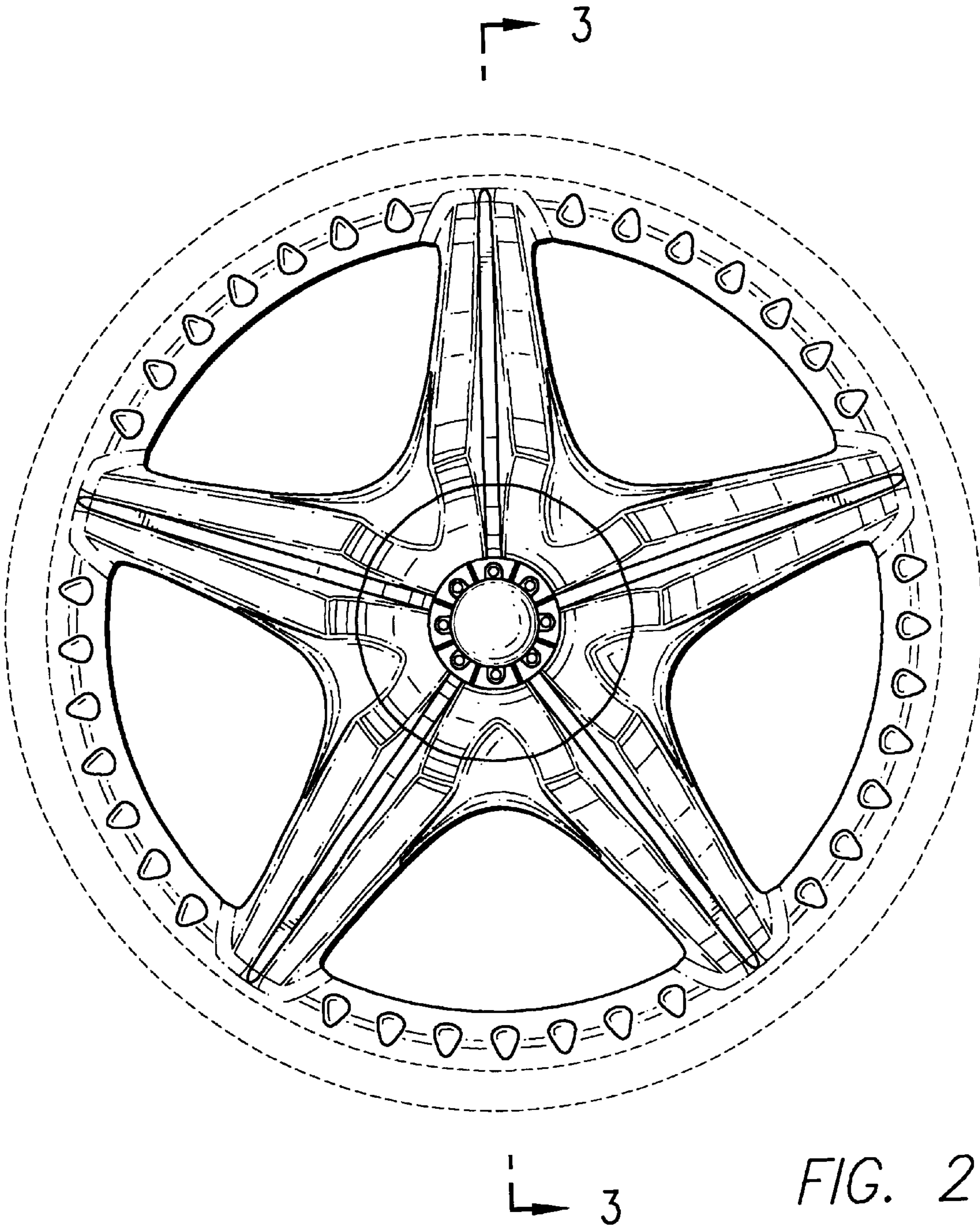


FIG. 1



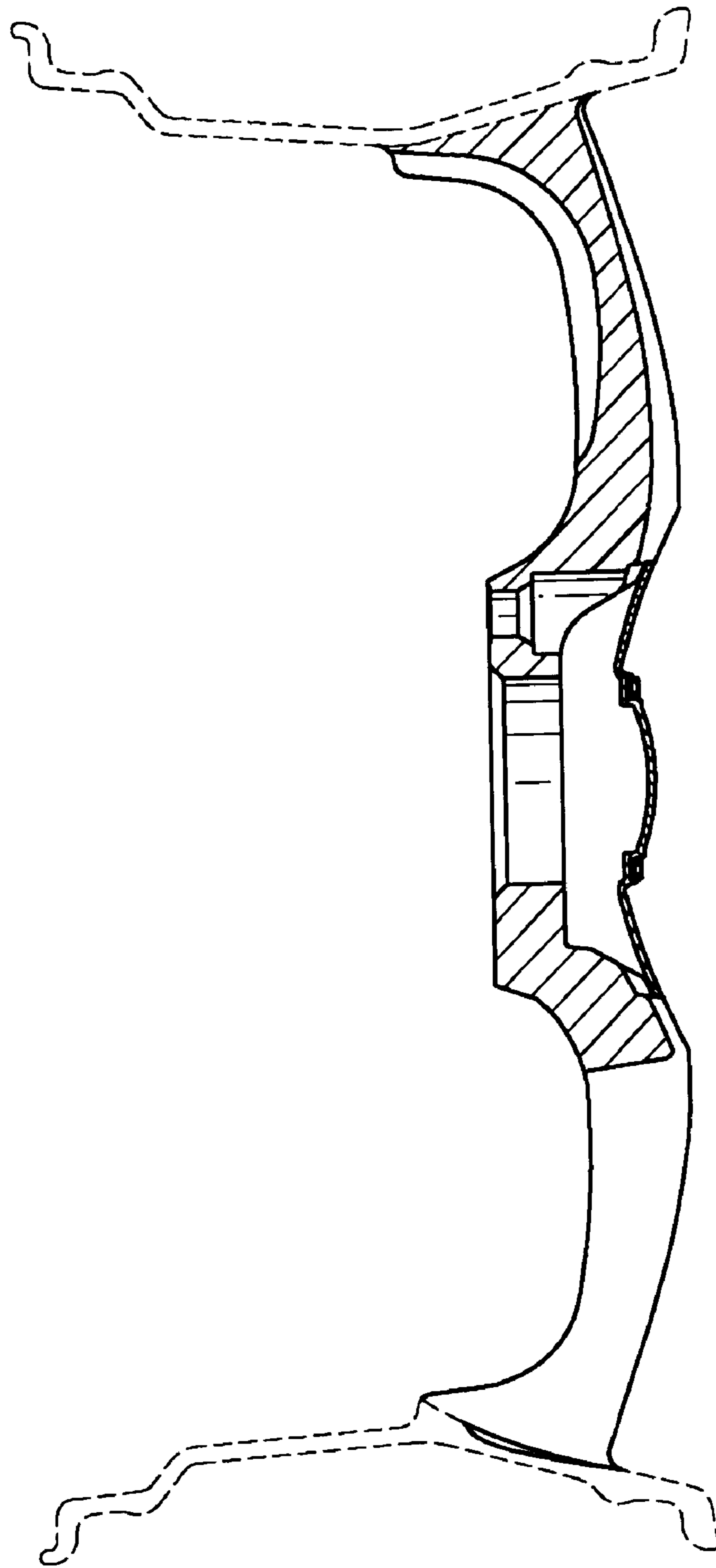


FIG. 3