



US00D518763S

(12) **United States Design Patent**
Sudo

(10) **Patent No.:** **US D518,763 S**

(45) **Date of Patent:** **** Apr. 11, 2006**

(54) **DOOR LINING FOR AUTOMOBILE**

(75) Inventor: **Takashi Sudo**, Wako (JP)

(73) Assignee: **Honda Motor Co., Ltd.**, Tokyo (JP)

(**) Term: **14 Years**

(21) Appl. No.: **29/236,383**

(22) Filed: **Aug. 16, 2005**

(30) **Foreign Application Priority Data**

Feb. 18, 2005 (JP) 2005-004518

(51) **LOC (8) Cl.** **12-08**

(52) **U.S. Cl.** **D12/195**

(58) **Field of Classification Search** D12/195,
D12/190; 49/501-502; 296/37.1, 37.13, 149,
296/153, 146.1

See application file for complete search history.

(56) **References Cited**

U.S. PATENT DOCUMENTS

D382,528 S * 8/1997 Hellhake et al. D12/195

D411,157 S * 6/1999 Sacco et al. D12/195

D415,461 S * 10/1999 Sacco et al. D12/195

D435,003 S * 12/2000 Tsay D12/195

D458,883 S * 6/2002 Tsay et al. D12/195

D463,343 S * 9/2002 Siegert D12/195

D467,211 S * 12/2002 Pfeiffer et al. D12/195

D493,399 S * 7/2004 Schowalter et al. D12/195

D497,337 S * 10/2004 Takagi et al. D12/195

* cited by examiner

Primary Examiner—Stacia Cadmus

(74) *Attorney, Agent, or Firm*—Sughrue Mion, PLLC

(57) **CLAIM**

The ornamental design for a door lining for automobile, as shown and described.

DESCRIPTION

FIG. 1 is a perspective view from the front left side of a door lining for automobile.

FIG. 2 is a perspective view from the front right side thereof.

FIG. 3 is a front elevation view thereof.

FIG. 4 is a top plan view thereof.

FIG. 5 is a bottom plan view thereof.

FIG. 6 is a left side elevation view thereof; and,

FIG. 7 is a right side elevation view thereof.

The portion of the article shown in broken lines is for illustrative purpose only and forms no part of the claimed design.

1 Claim, 7 Drawing Sheets

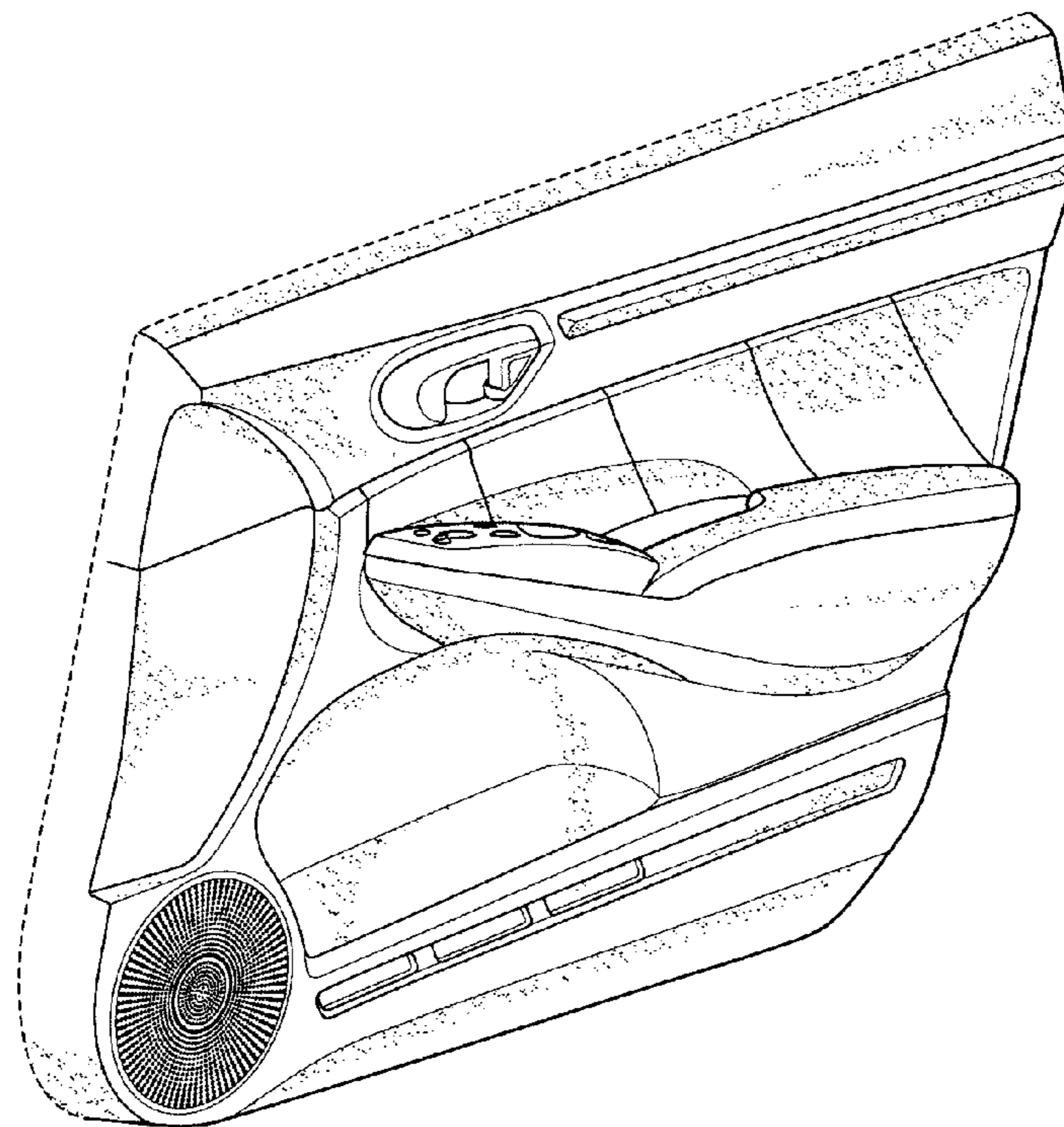


FIG. 1

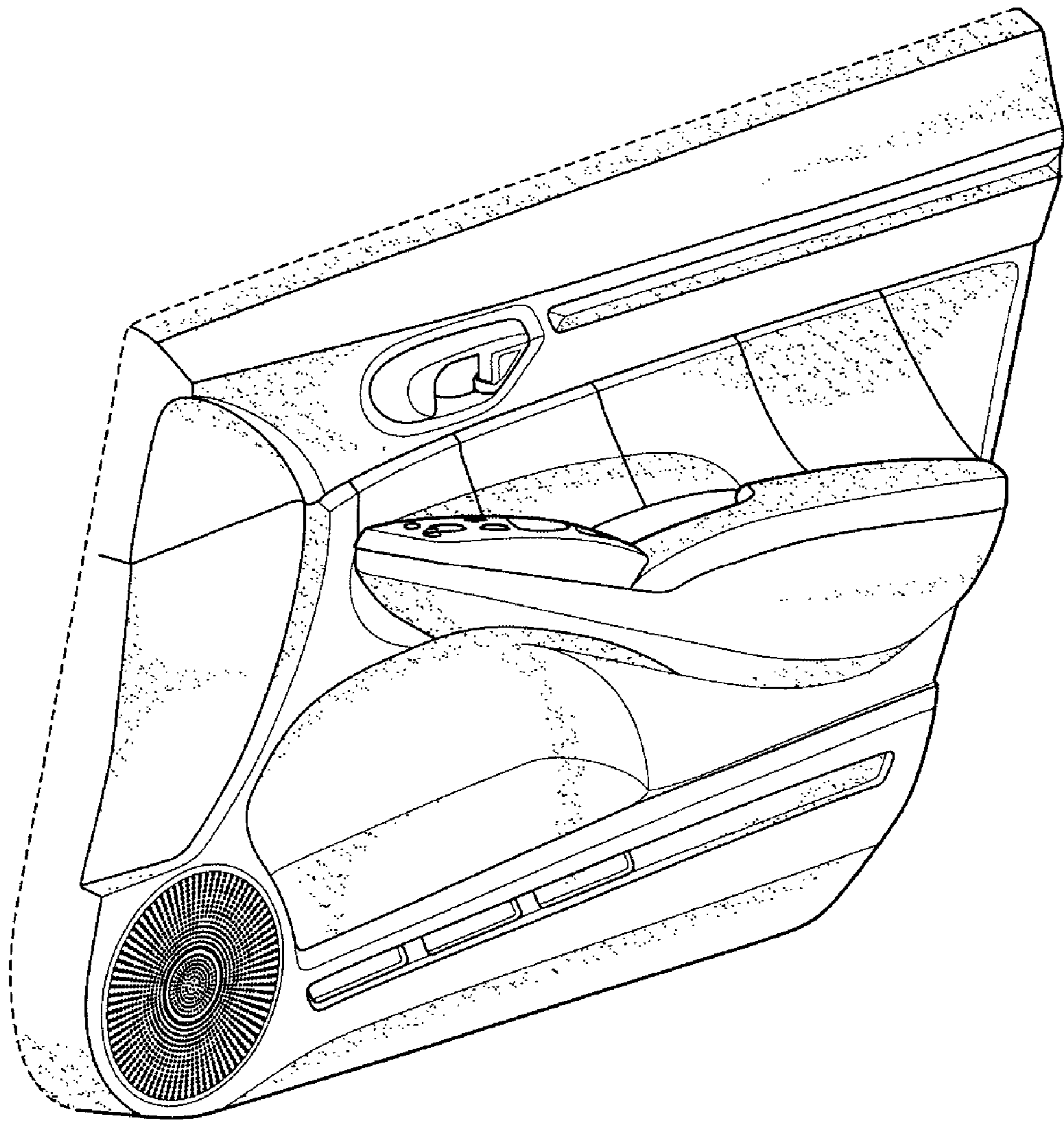


FIG. 2

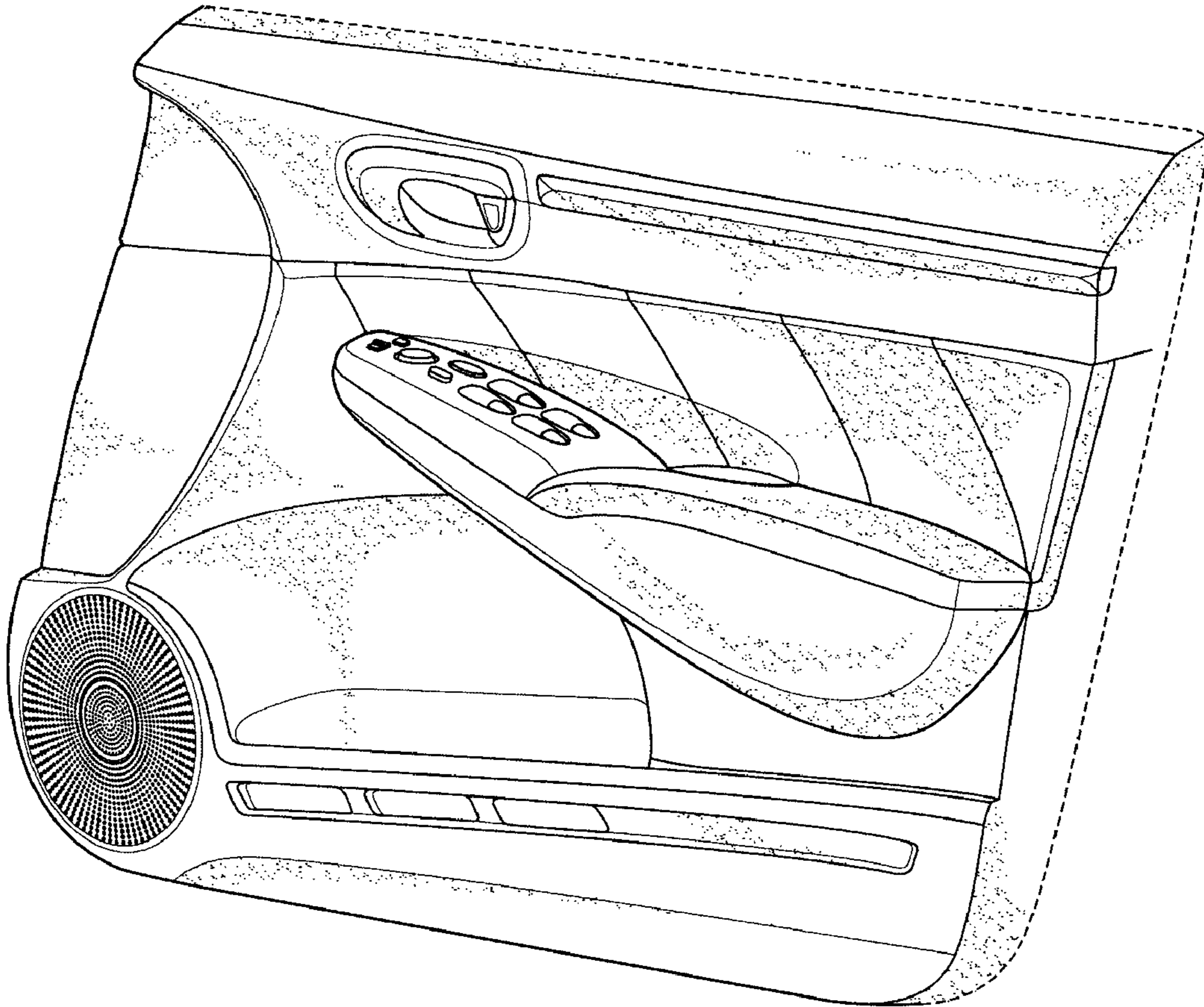


FIG. 3

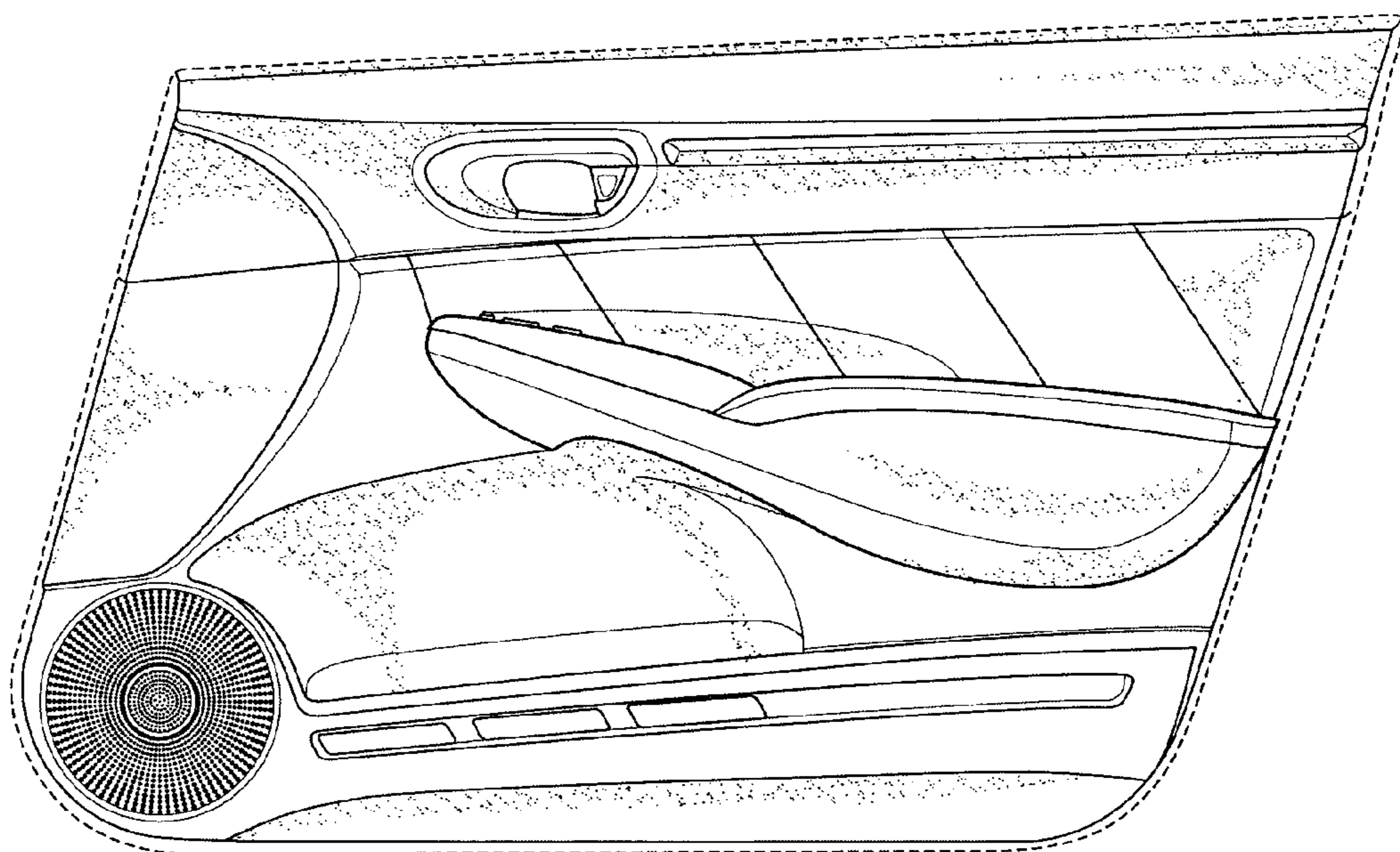


FIG. 4

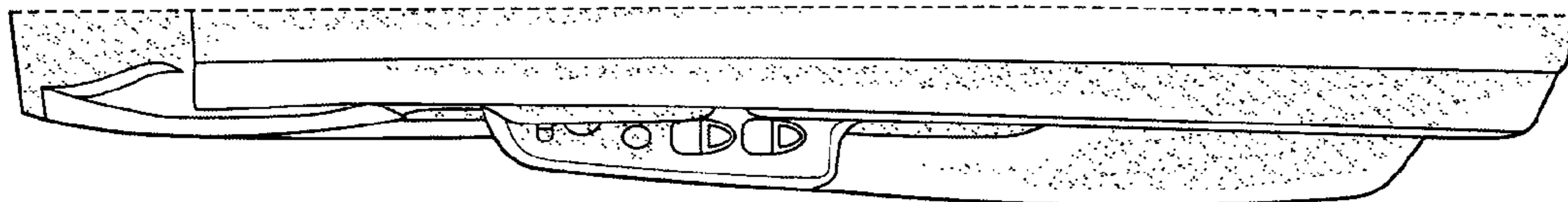


FIG. 5

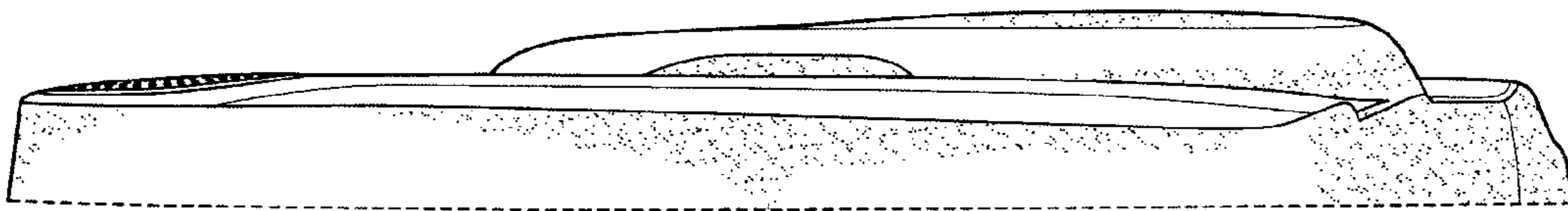


FIG. 6

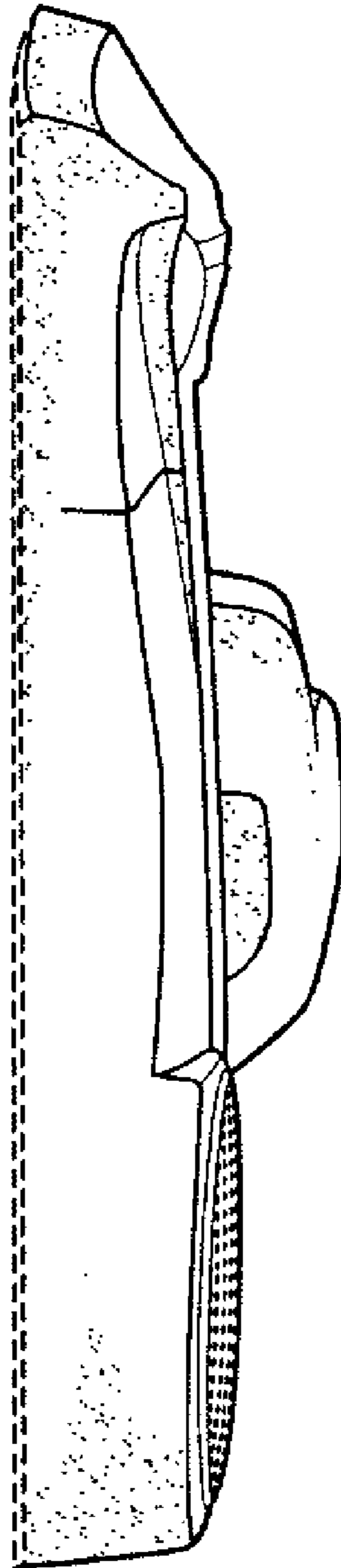


FIG. 7

