

US00D518759S

(12) **United States Design Patent**  
**Kettler et al.**

(10) **Patent No.:** **US D518,759 S**  
(45) **Date of Patent:** **\*\* Apr. 11, 2006**

(54) **ALL TERRAIN VEHICLE**

(75) Inventors: **Daniel James Kettler**, Apex, NC (US);  
**Jonathan Richard Chase**, Raleigh, NC  
(US); **Ronald Mark Harycki**,  
Matthews, NC (US); **Germain Cadotte**,  
St-Elie D'Orford (CA); **Jamie David**  
**Kovalaske**, Pineville, NC (US); **James**  
**Heinrich Weitz**, Hoboken, NJ (US);  
**Jean-Philippe Crépeau**, Bromont (CA)

(73) Assignees: **Deere & Company**, Moline, IL (US);  
**Bombardier, Inc.**, Valcourt (CA)

(\*\*) Term: **14 Years**

(21) Appl. No.: **29/213,200**

(22) Filed: **Sep. 15, 2004**

(51) **LOC (8) Cl.** ..... **12-11**

(52) **U.S. Cl.** ..... **D12/107**

(58) **Field of Classification Search** ..... D12/3,  
D12/86, 87, 107, 110; 180/225, 229, 233,  
180/311, 312, 315

See application file for complete search history.

(56) **References Cited**

**U.S. PATENT DOCUMENTS**

D427,110 S \* 6/2000 Saito et al. .... D12/107

**OTHER PUBLICATIONS**

Kawasaki Brochure; Kawasaki All Terrain Vehicles 2000.  
Polaris Brochure; Polaris (You'll recommend it to your  
friends) 1989.

Polaris Brochure; Polaris (Where The Road Ends, The  
Stories Begin)1989.

Polaris Brochure; Polaris (You Can Get There From Here)  
1990.

Honda Brochure; 1999 Honda Full Line.

M.U.D. Moose Utility Division Brochure, 1999.

Suzuki Brochure: Quadrunners

\* cited by examiner

*Primary Examiner*—Alan P. Douglas

*Assistant Examiner*—Linda Brooks

(57) **CLAIM**

The ornamental design for an all terrain vehicle, as shown  
and described.

**DESCRIPTION**

FIG. 1 is a front left elevated perspective view of an all  
terrain vehicle showing our new design.

FIG. 2 is a front view of the all terrain vehicle design of FIG.  
1.

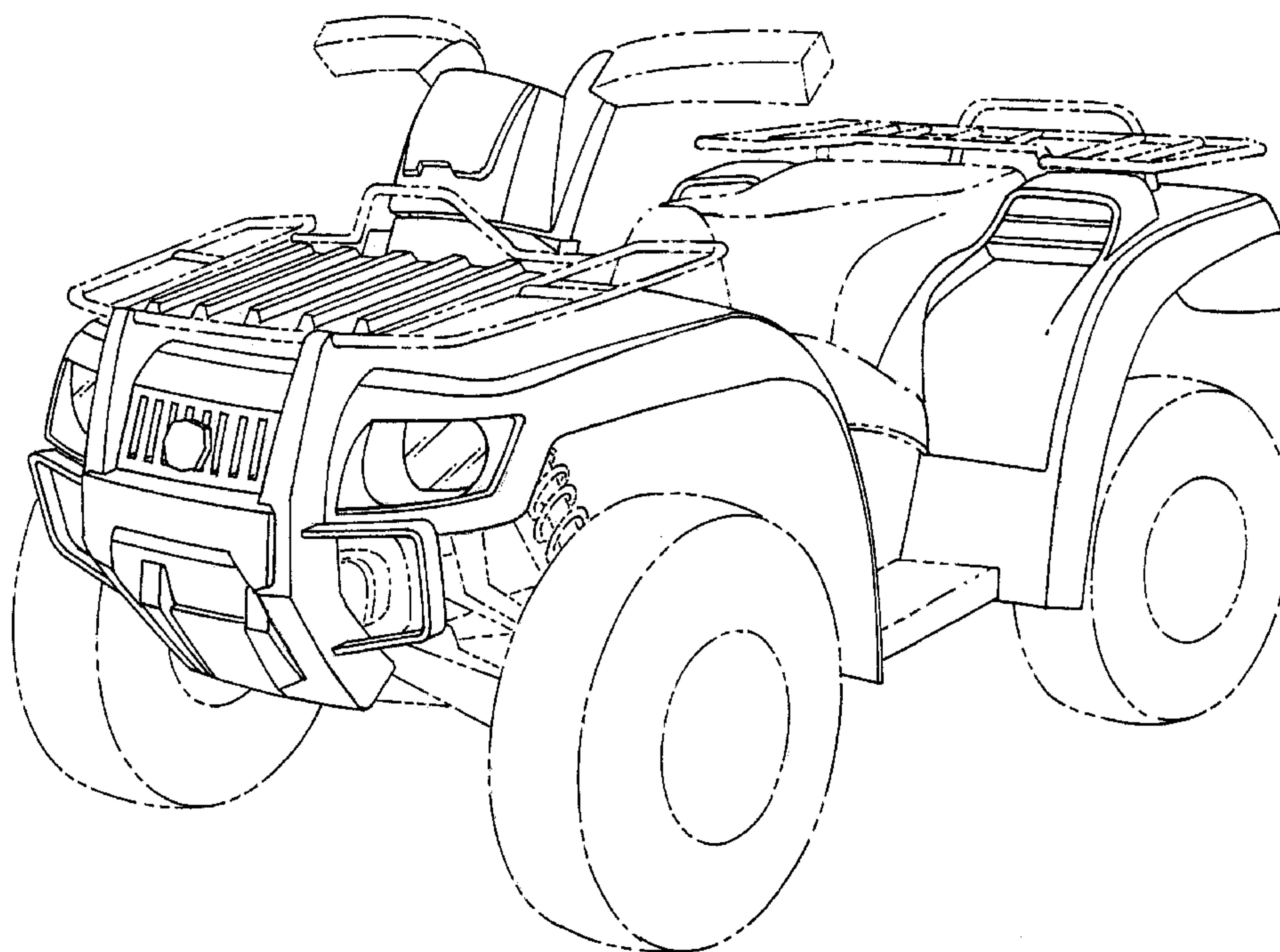
FIG. 3 is a rear view of the all terrain vehicle design of FIG.  
1.

FIG. 4 is a side elevational view of the all terrain vehicle  
design of FIG. 1; and,

FIG. 5 is a rear perspective view of the all terrain vehicle  
design of FIG. 1.

The broken lines shown are for illustrative purposes only  
and form no part of the claimed design.

**1 Claim, 5 Drawing Sheets**



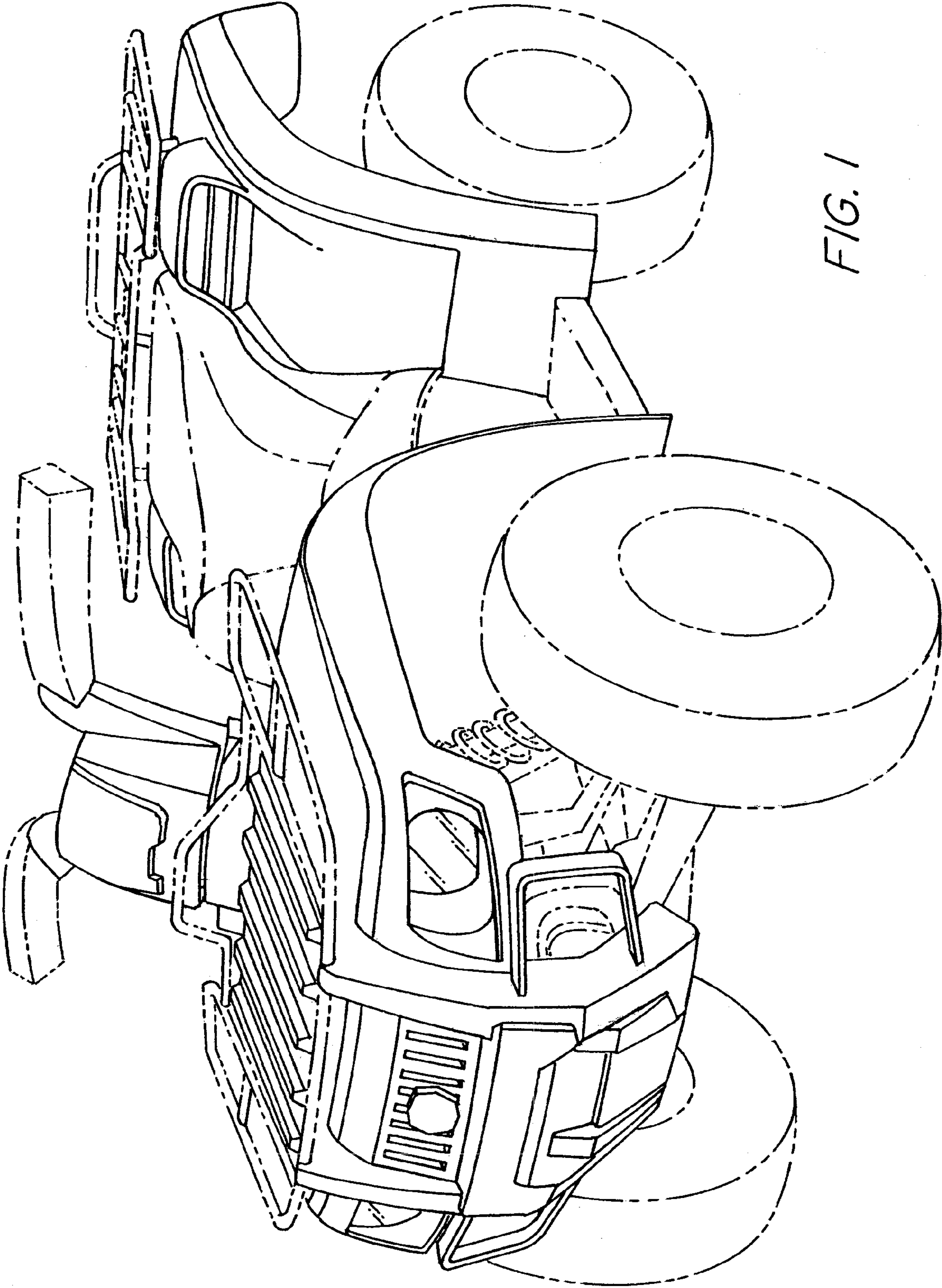


FIG. 1

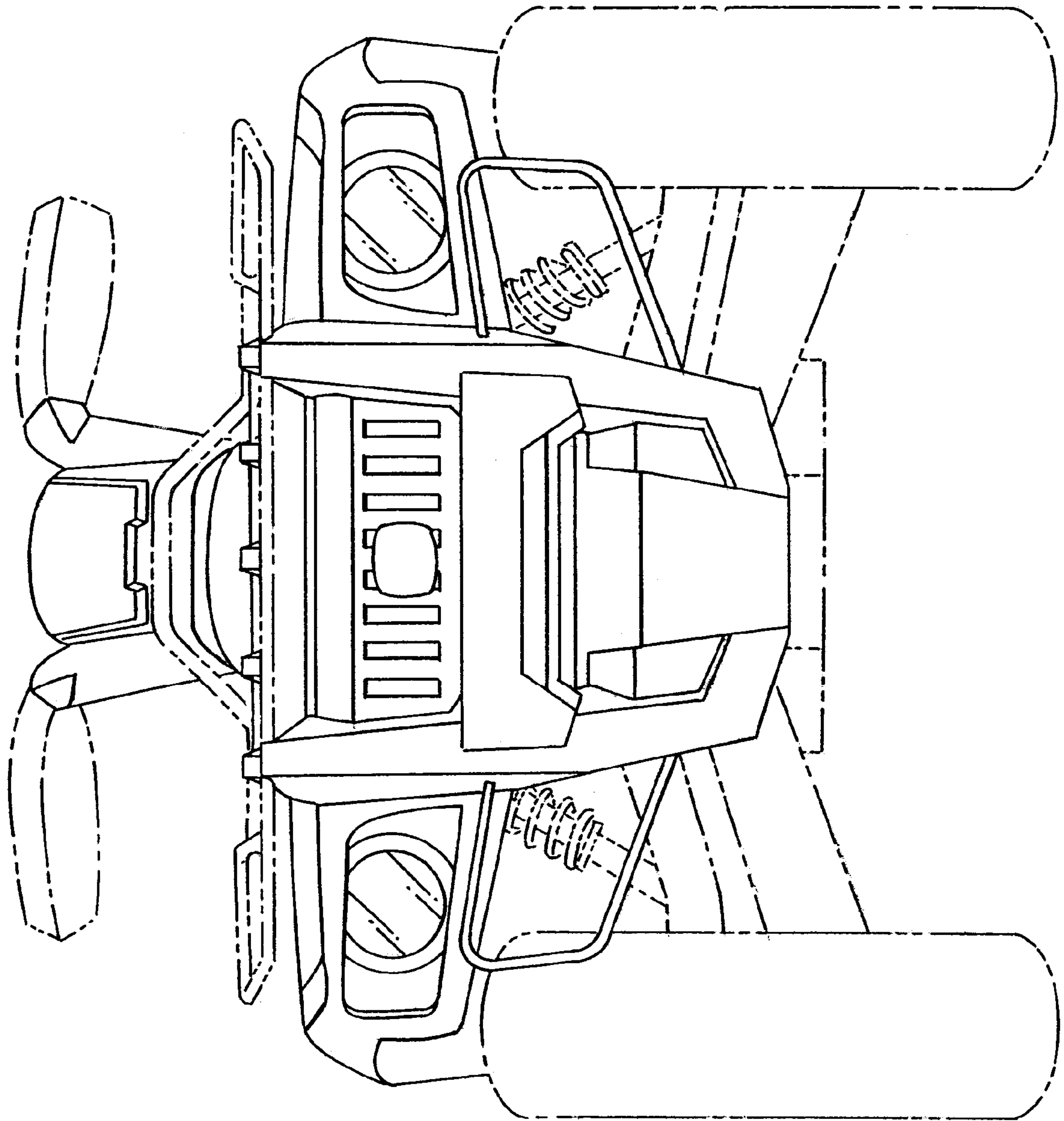


FIG. 2



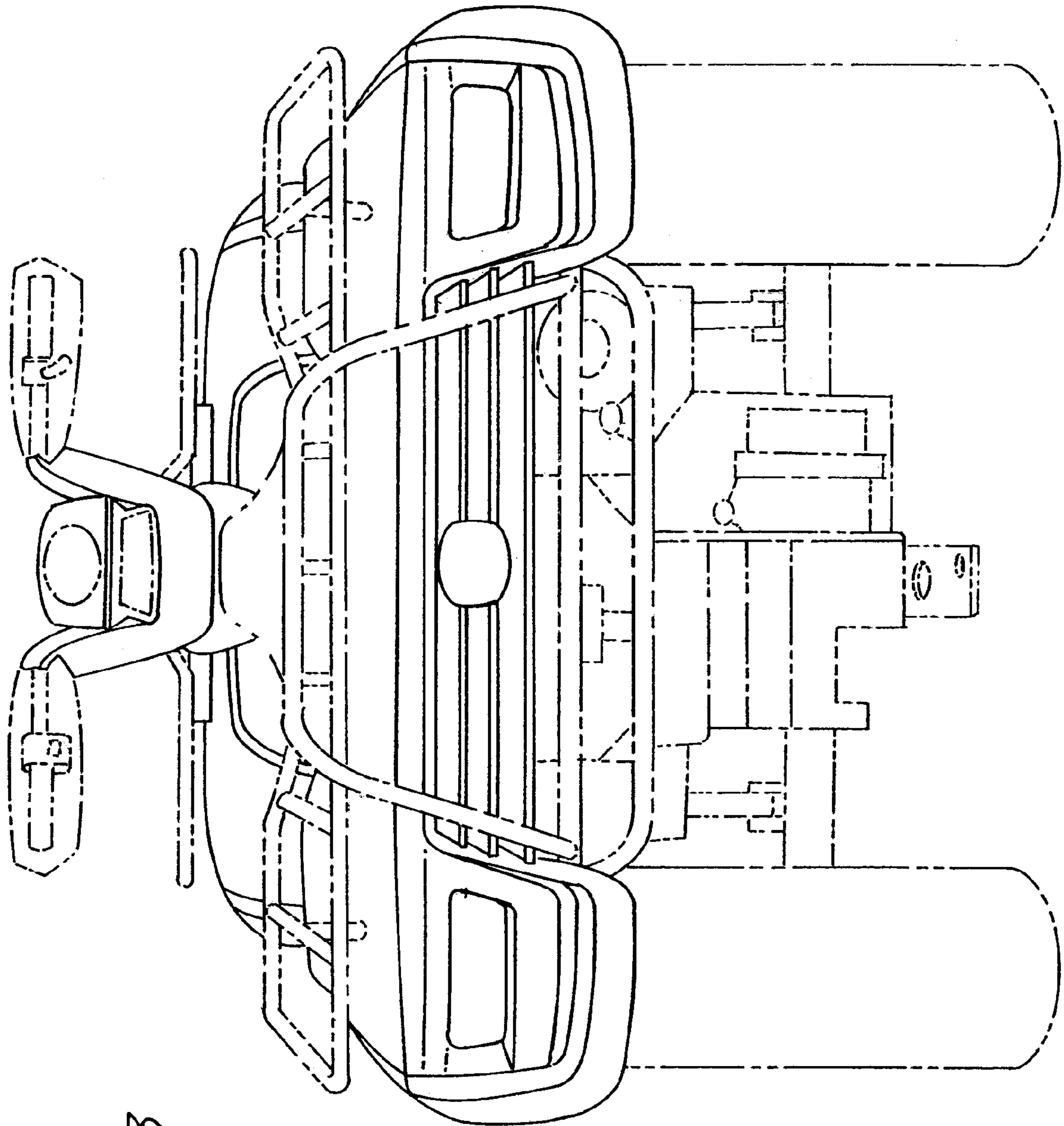


FIG. 3

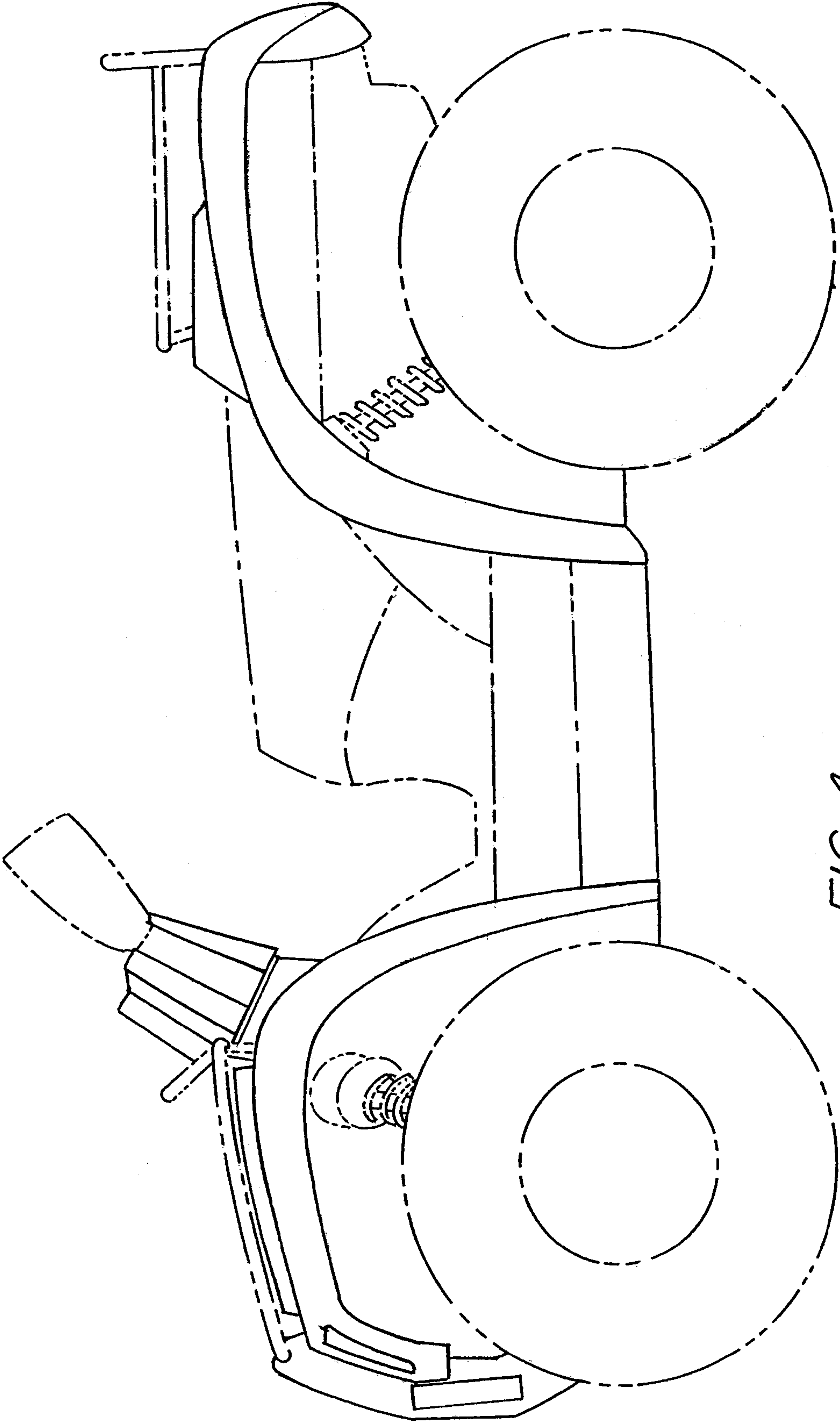


FIG. 4

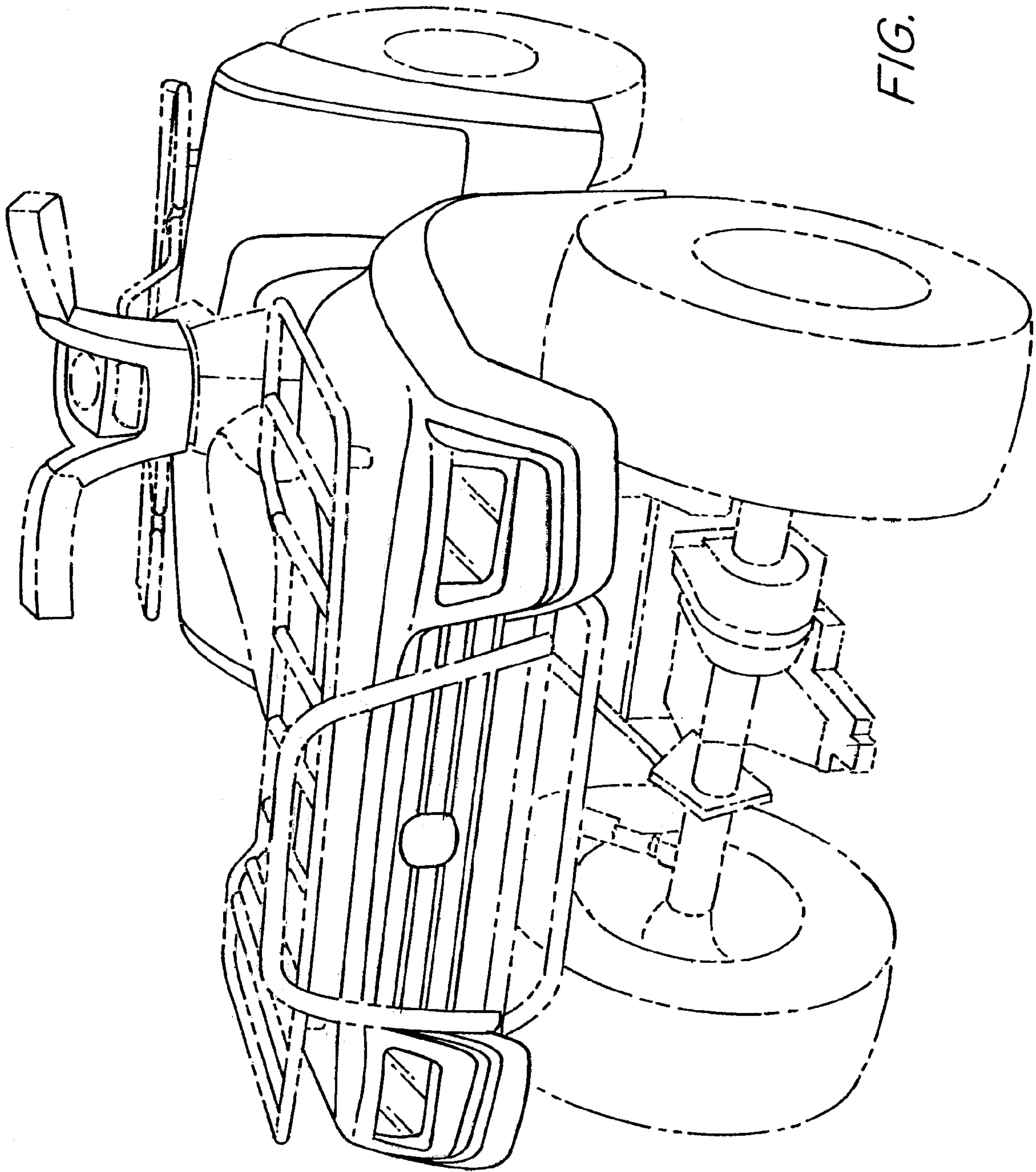


FIG. 5