



US00D518747S

(12) **United States Design Patent**
Lopano

(10) **Patent No.:** **US D518,747 S**

(45) **Date of Patent:** **** Apr. 11, 2006**

(54) **LASER LEVEL**

(75) Inventor: **Daniel N. Lopano**, Towson, MD (US)

(73) Assignee: **Black & Decker Inc.**, Newark, DE (US)

(**) Term: **14 Years**

(21) Appl. No.: **29/235,771**

(22) Filed: **Aug. 5, 2005**

(51) **LOC (8) Cl.** **10-04**

(52) **U.S. Cl.** **D10/69**

(58) **Field of Classification Search** D10/69,
D10/74; 33/365, 366.11-366.27, 367-391
See application file for complete search history.

(56) **References Cited**

U.S. PATENT DOCUMENTS

D395,013 S	*	6/1998	Webb	D10/69
D411,470 S	*	6/1999	Webb	D10/69
D415,436 S	*	10/1999	Martone	D10/69
6,293,024 B1	*	9/2001	Fiebig et al.	33/375

* cited by examiner

Primary Examiner—Antoine D. Davis

(74) *Attorney, Agent, or Firm*—Joseph F. Key; Charles E. Yocum; Adan Ayala

(57) **CLAIM**

The ornamental design for a laser level, as shown and described.

DESCRIPTION

FIG. 1 is a rear side perspective view of a first embodiment of a laser level according to the invention.

FIG. 2 is a right elevational view of the first embodiment.

FIG. 3 is a left elevational view of the first embodiment.

FIG. 4 is a front elevational view of the first embodiment.

FIG. 5 is a rear elevational view of the first embodiment.

FIG. 6 is a top plan view of the first embodiment.

FIG. 7 is a bottom plan view of the first embodiment.

FIG. 8 is a rear side perspective view of a second embodiment of a laser level according to the invention.

FIG. 9 is a right elevational view of the second embodiment.

FIG. 10 is a left elevational view the second embodiment.

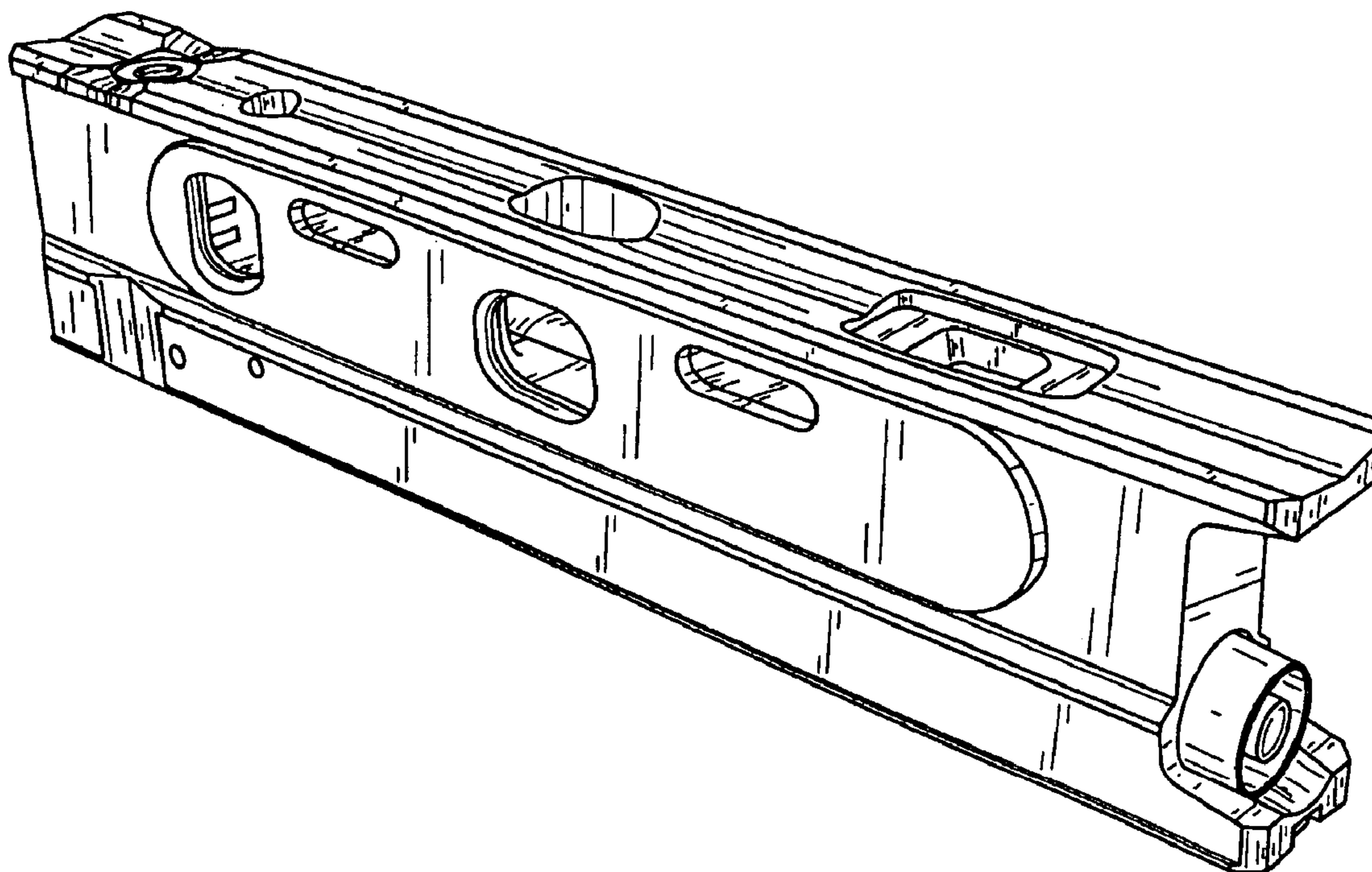
FIG. 11 is a front elevational view the second embodiment.

FIG. 12 is a rear elevational view the second embodiment.

FIG. 13 is a top plan view the second embodiment; and,

FIG. 14 is a bottom plan view the second embodiment.

1 Claim, 12 Drawing Sheets



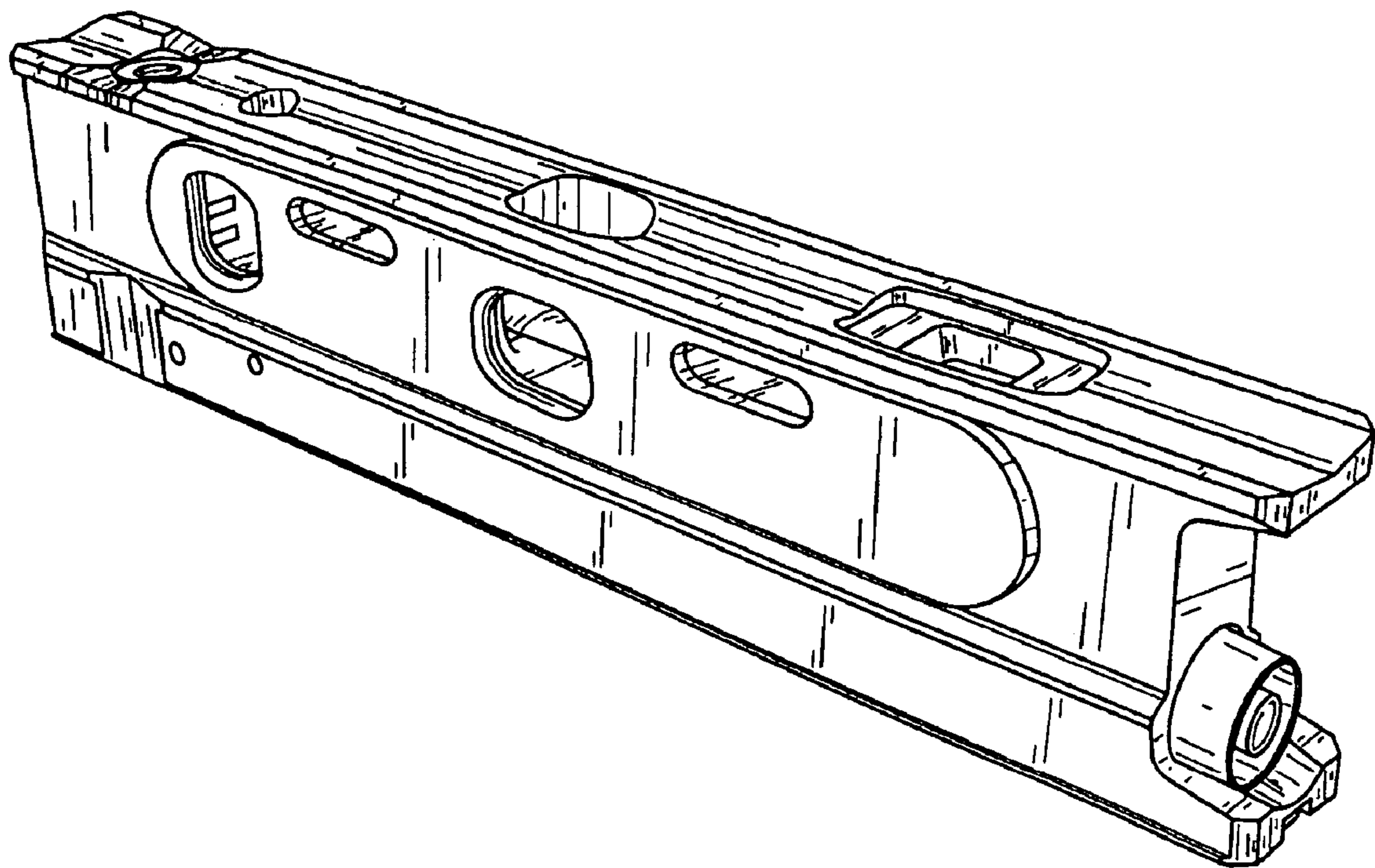


FIG. 1

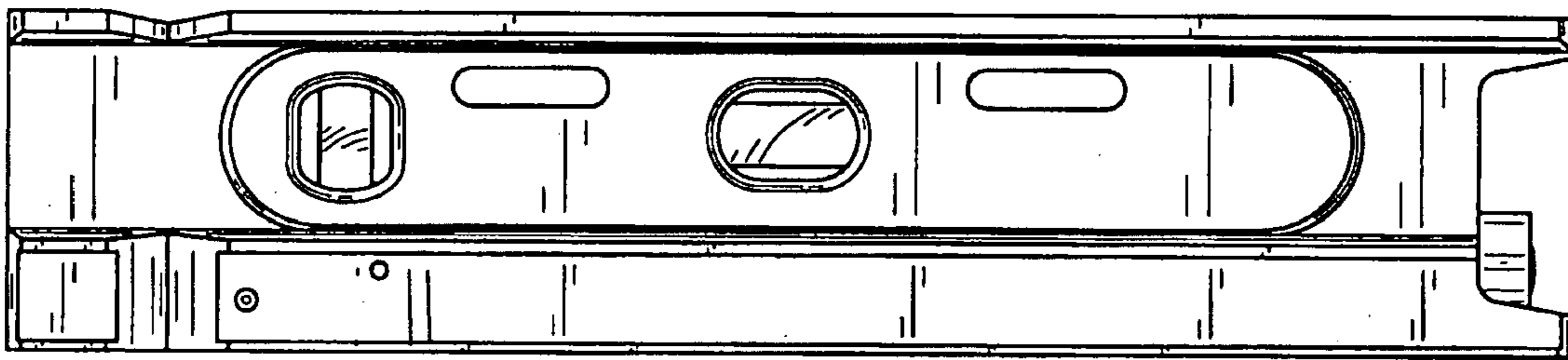


FIG. 2

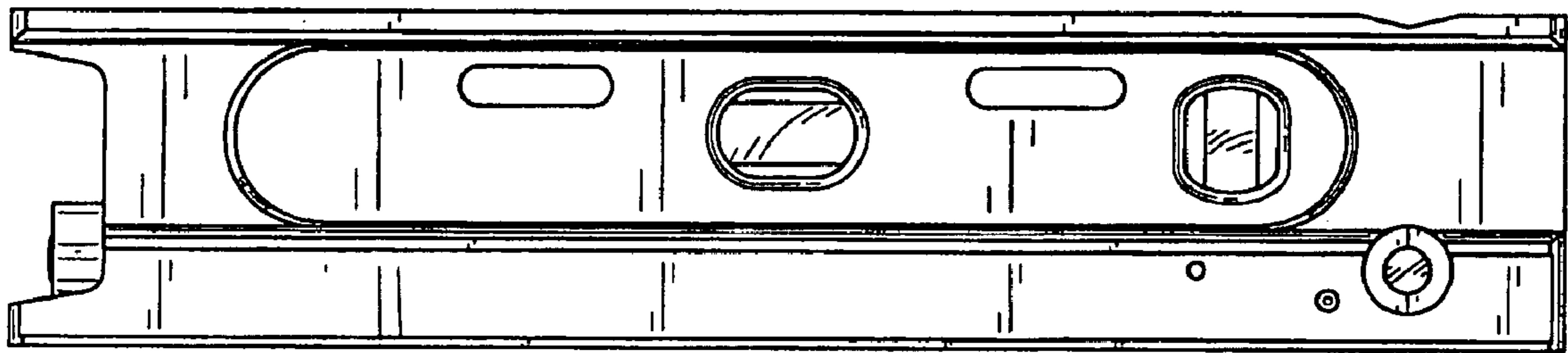


FIG. 3

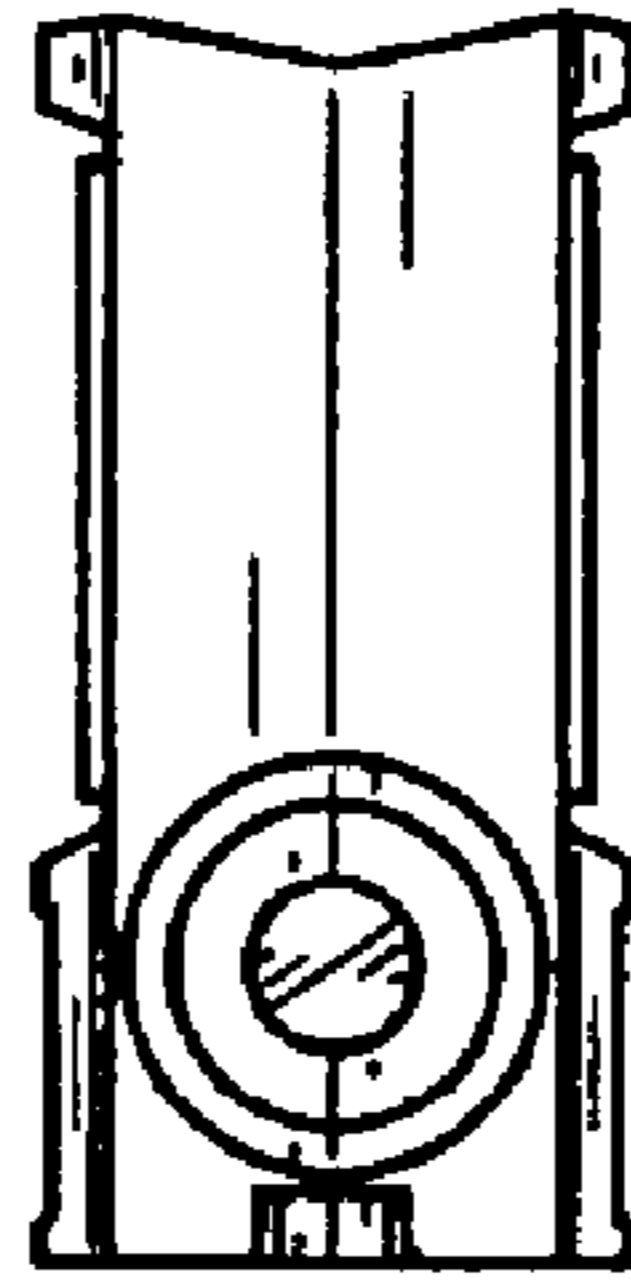


FIG. 4

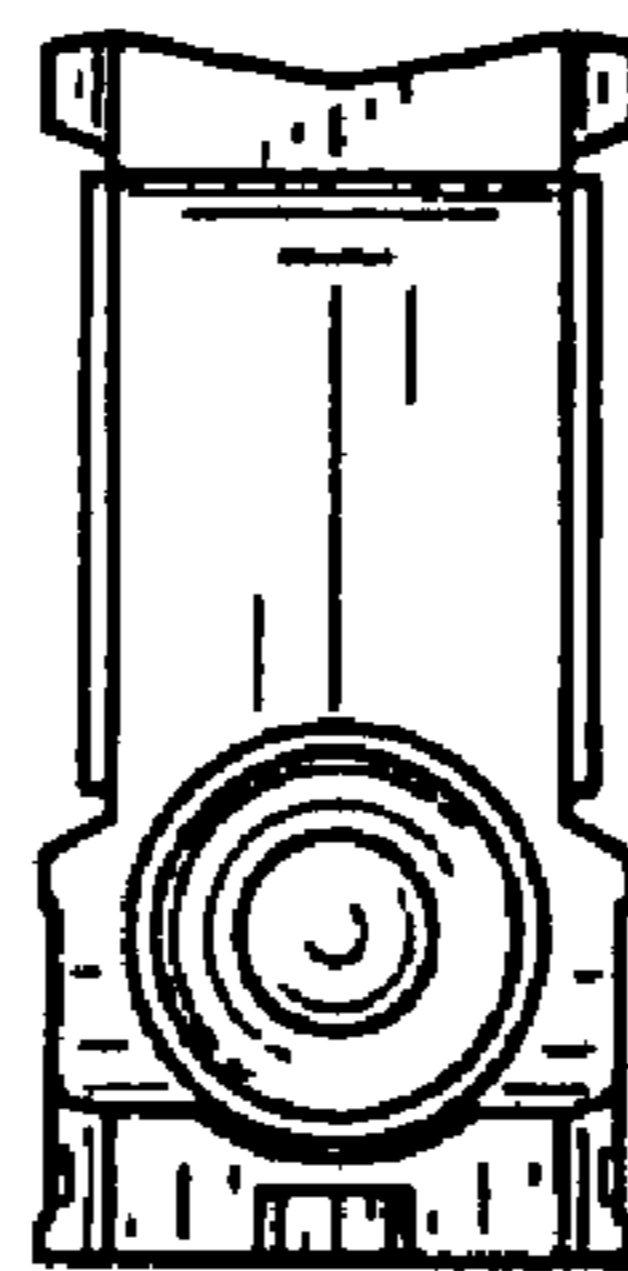


FIG. 5

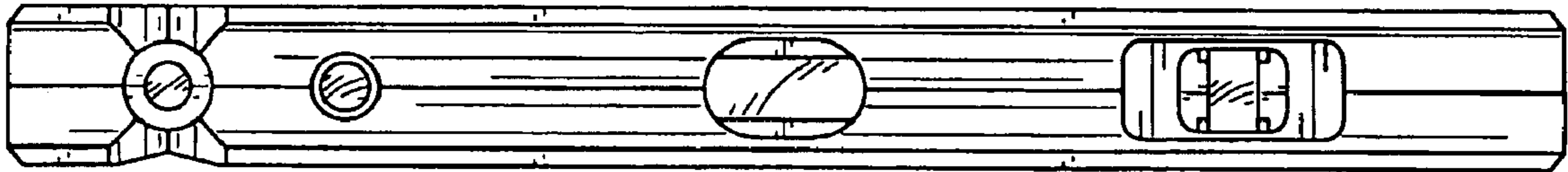


FIG. 6

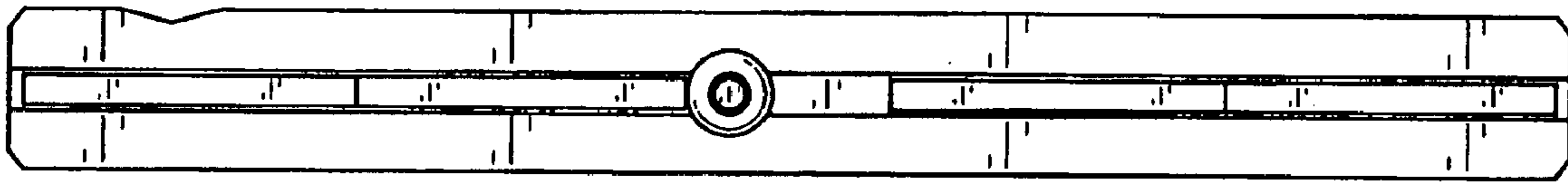


FIG. 7

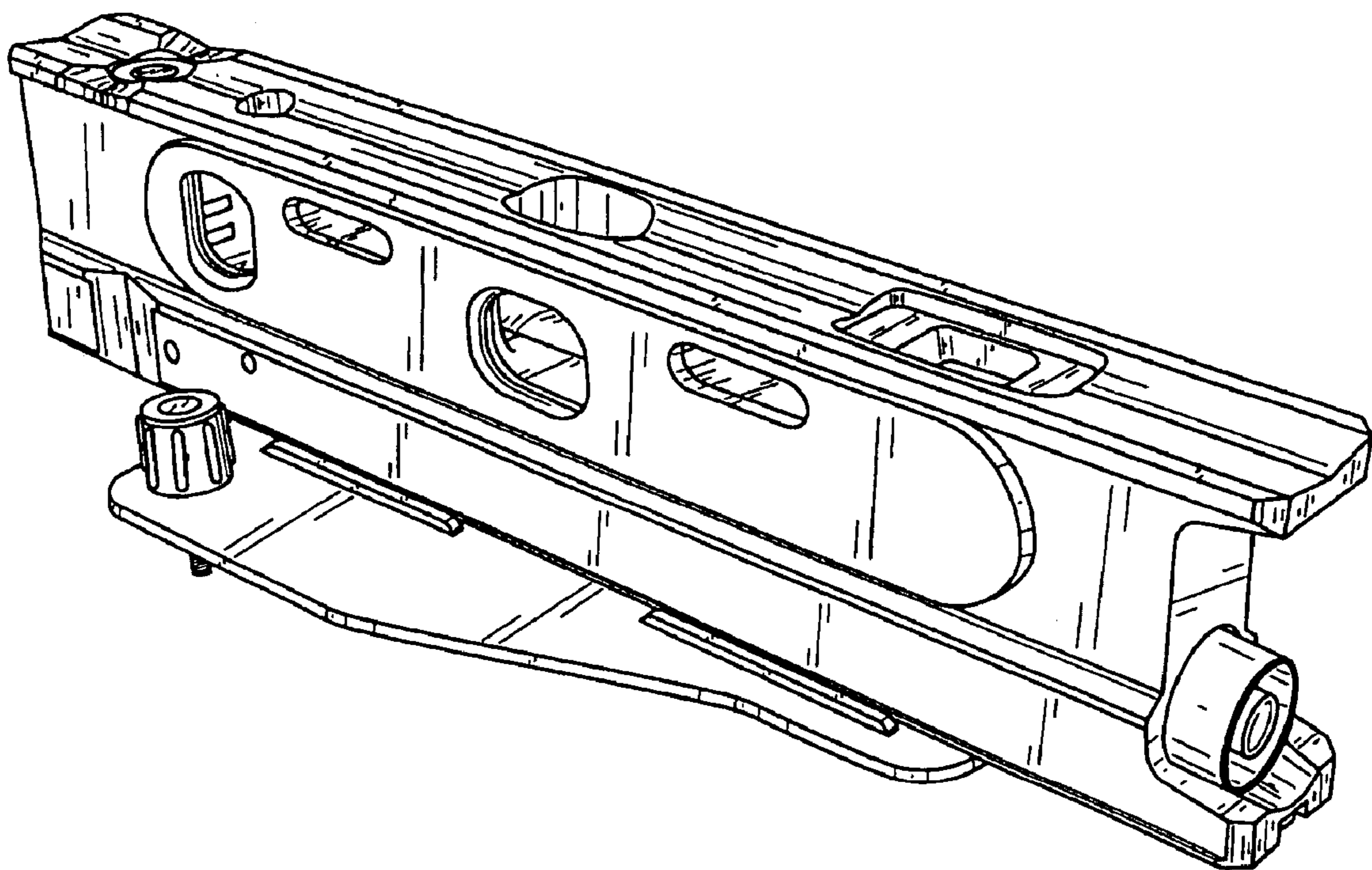


FIG. 8

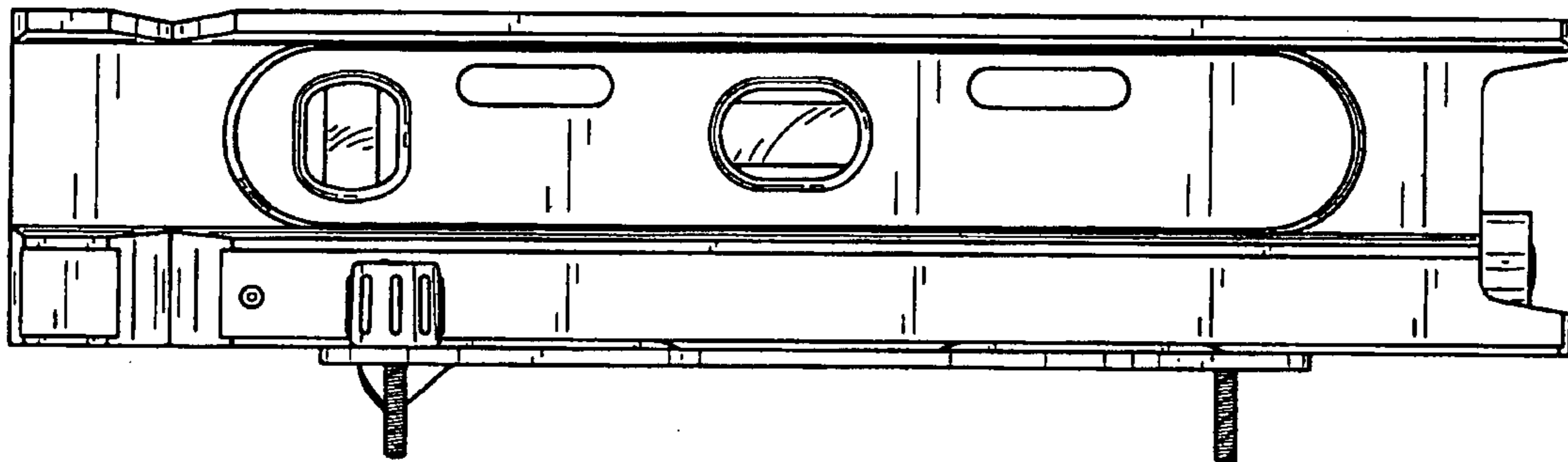


FIG. 9

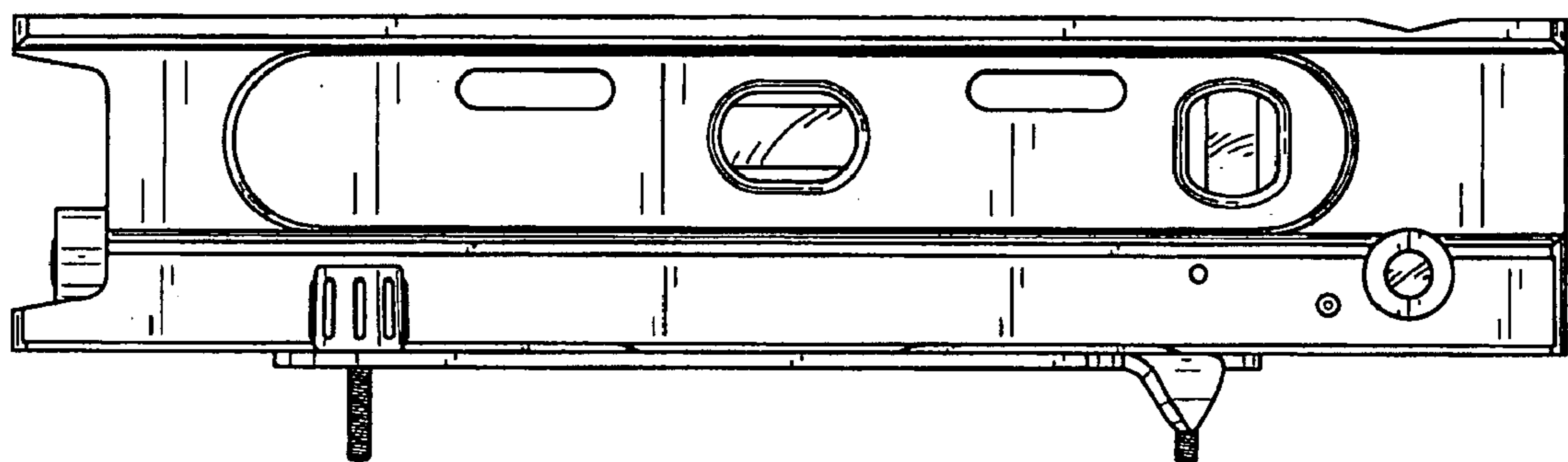


FIG. 10

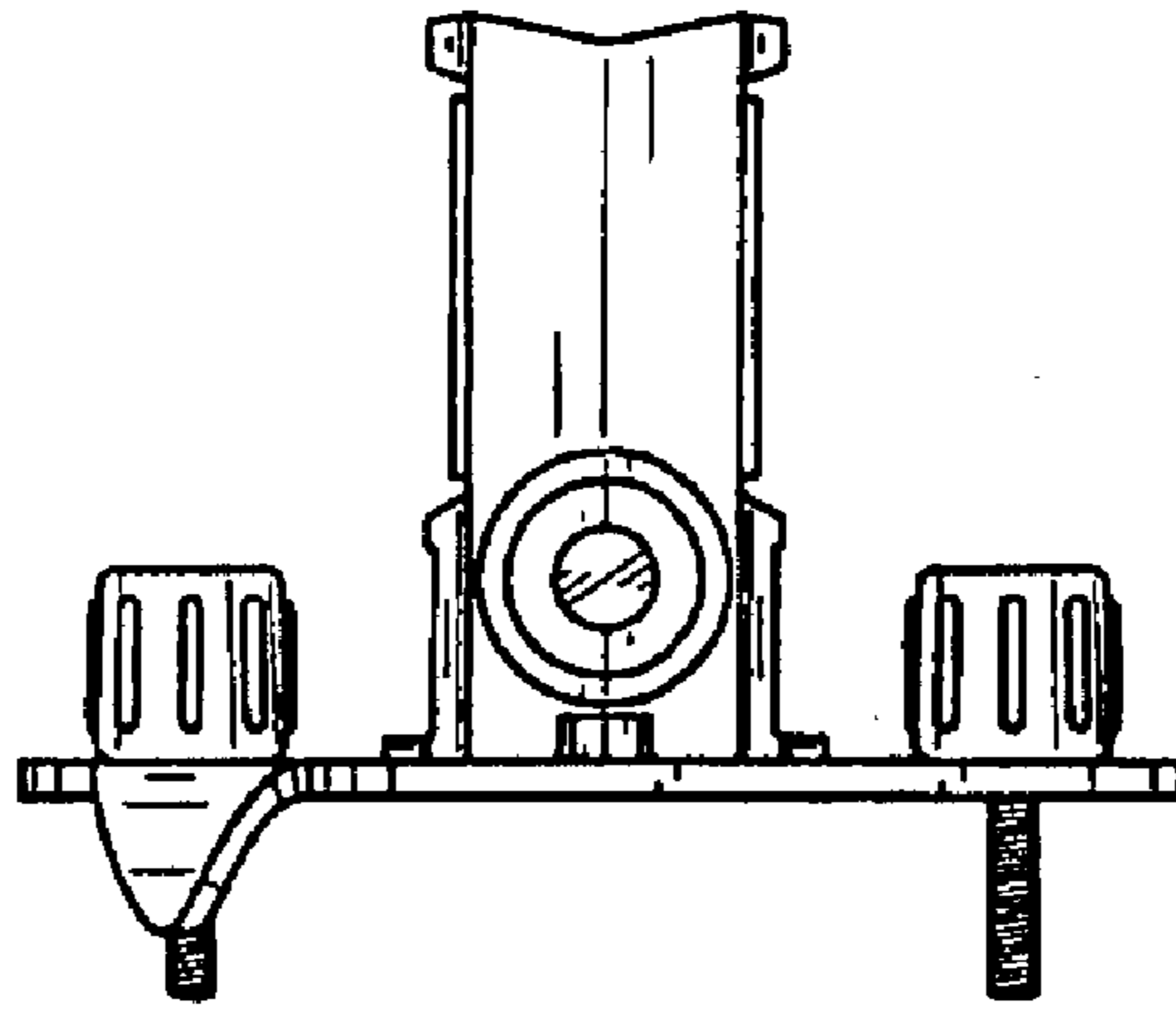


FIG. 11

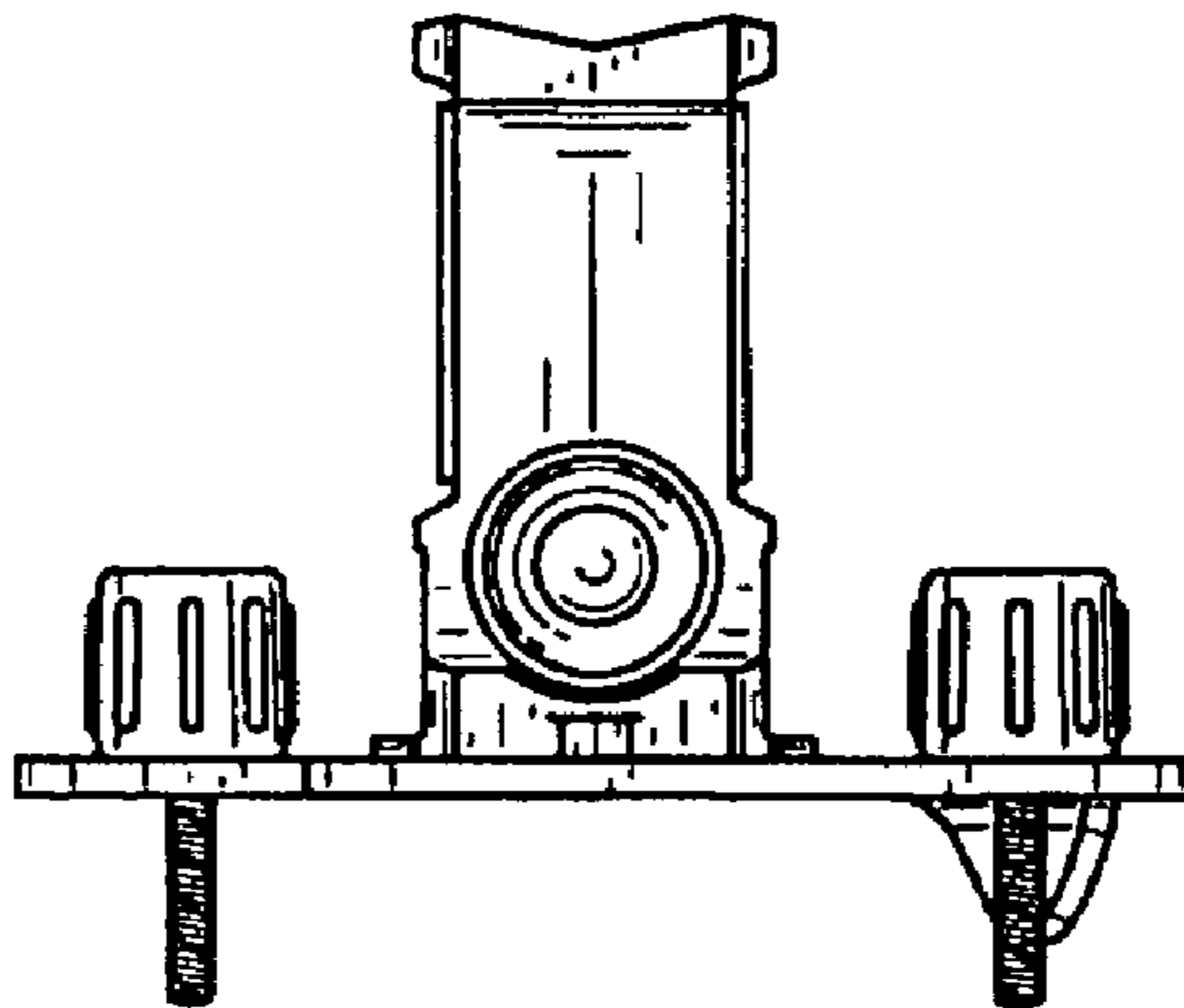


FIG. 12

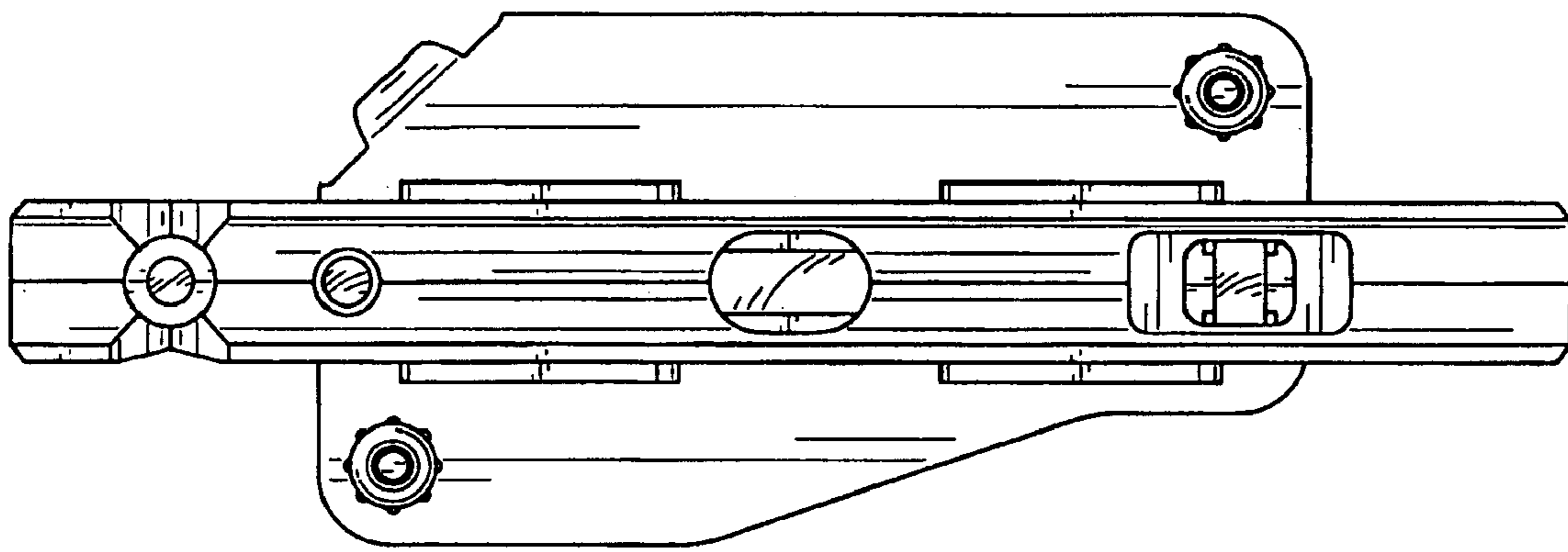


FIG. 13

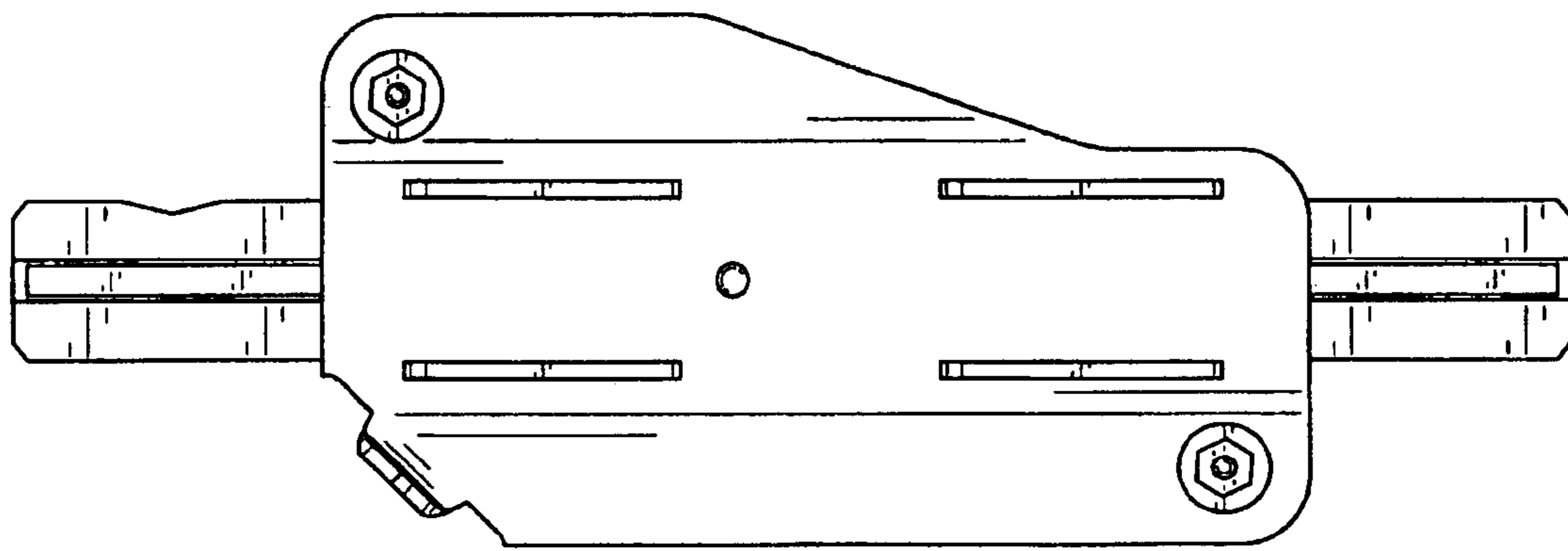


FIG. 14