



US00D518746S

(12) **United States Design Patent**  
**Kim**

(10) **Patent No.:** **US D518,746 S**  
(45) **Date of Patent:** **\*\* Apr. 11, 2006**

- (54) **HANG-HOLE AND VIAL WINDOW FOR A LEVEL**
- (75) Inventor: **Charles D. Kim**, Raleigh, NC (US)
- (73) Assignee: **Ruud Lighting, Inc.**, Racine, WI (US)
- (\*\*) Term: **14 Years**
- (21) Appl. No.: **29/228,636**
- (22) Filed: **Apr. 26, 2005**
- (51) **LOC (8) Cl.** ..... **10-04**
- (52) **U.S. Cl.** ..... **D10/69**
- (58) **Field of Classification Search** ..... D10/69,  
D10/74; 33/365, 366.11–366.27, 367–391  
See application file for complete search history.

(56) **References Cited**

U.S. PATENT DOCUMENTS

D493,737 S \* 8/2004 Nickel ..... D10/74

\* cited by examiner

*Primary Examiner*—Antoine D. Davis

(74) *Attorney, Agent, or Firm*—Jansson, Shupe, Munger & Antaramian, Ltd.

(57) **CLAIM**

The ornamental design for a hang-hole and vial window for a level, as shown and described.

**DESCRIPTION**

FIG. 1 is a top perspective view of a hang-hole and vial window for a level, illustrating the hang-hole and vial window as part of a level shown in broken lines with one hand-hold.

FIG. 2 is a front elevation view of the hang-hole and vial window of FIG. 1.

FIG. 3 is a rear elevation view of the hang-hole and vial window of FIG. 1.

FIG. 4 is a top plan view of the level of FIG. 1.

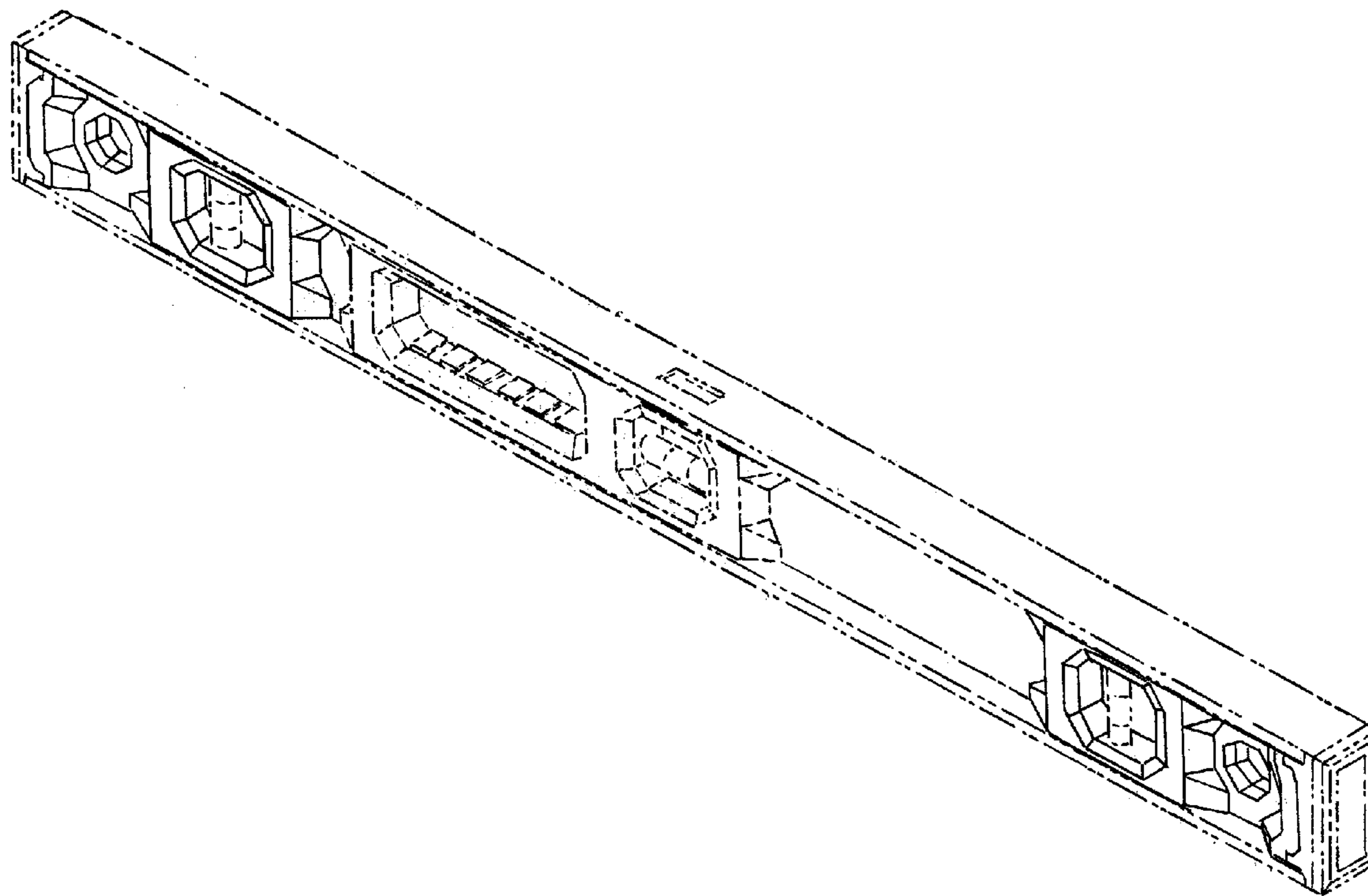
FIG. 5 is a bottom plan view of the level of FIG. 1.

FIG. 6 is a right-end plan view of the level of FIG. 1, the left-end being a mirror image; and,

FIG. 7 is a top perspective view of the hang-hole and vial window, illustrating the hang-hole and vial window as part of a level shown in broken lines with two hand-holds.

The broken lines are provided for illustrative purposes only and form no part of the claimed design.

**1 Claim, 4 Drawing Sheets**



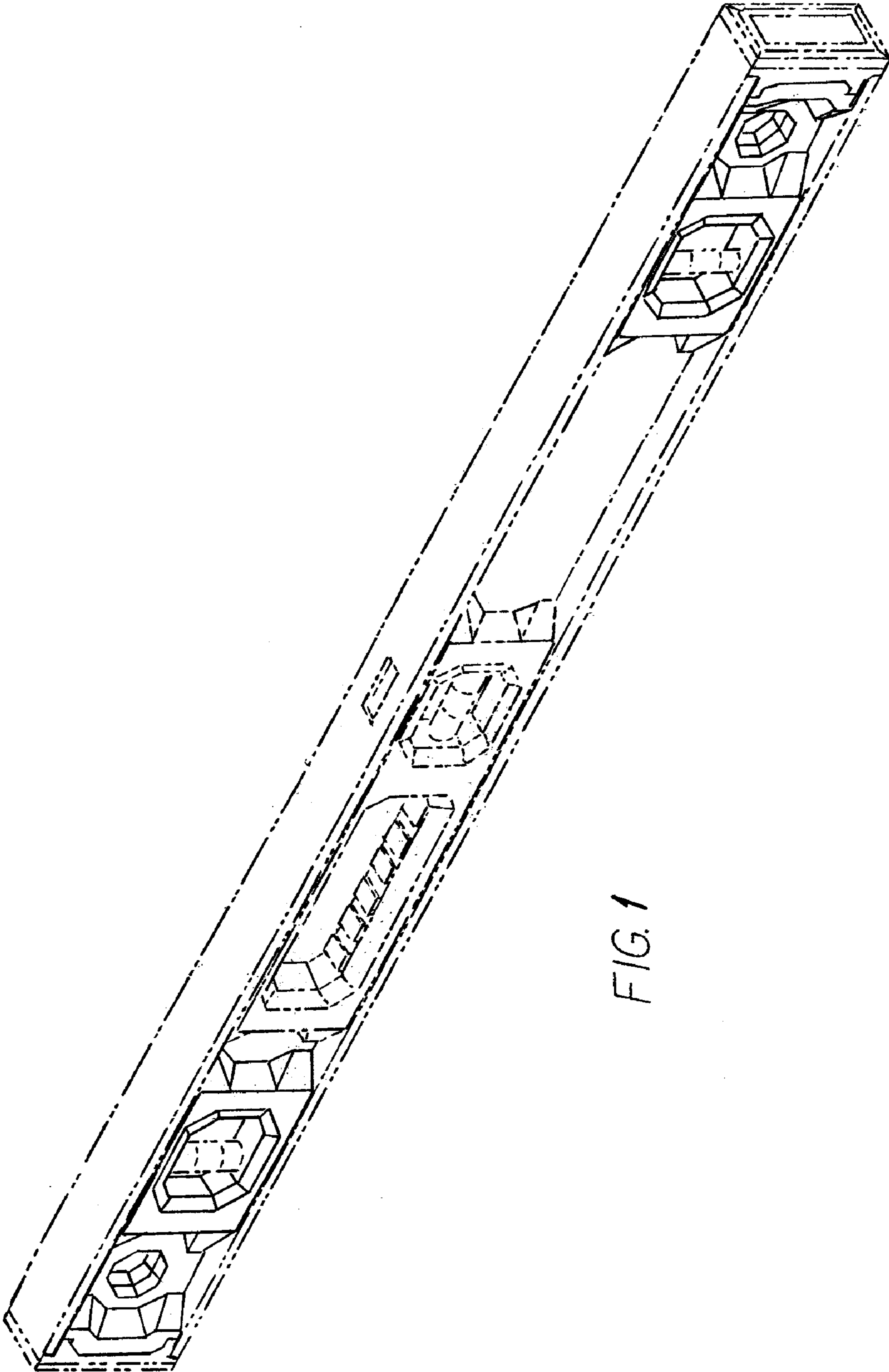


FIG. 1

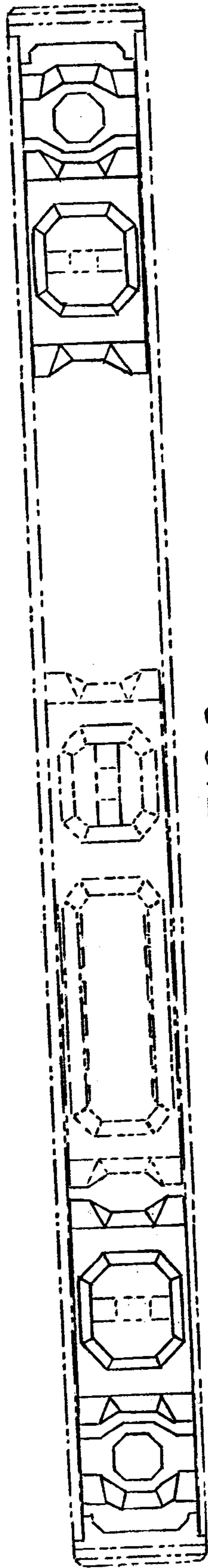


FIG. 2

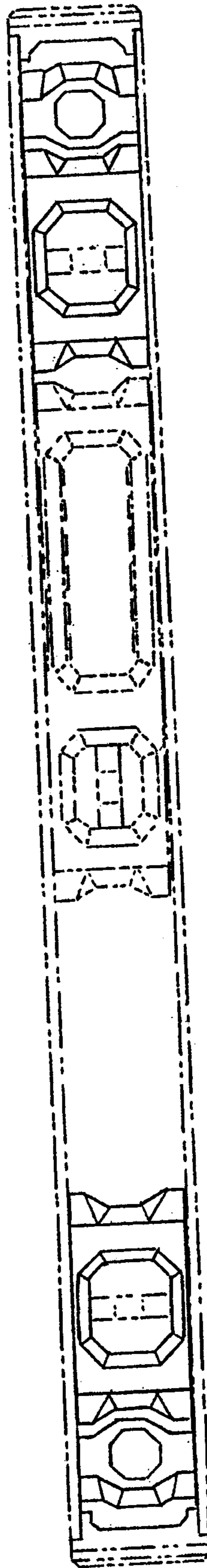


FIG. 3



FIG. 4

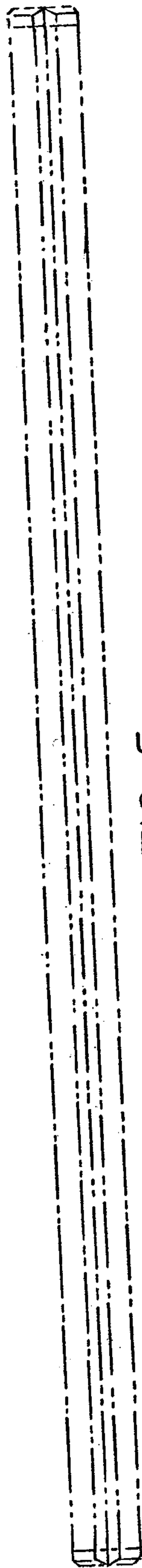


FIG. 5

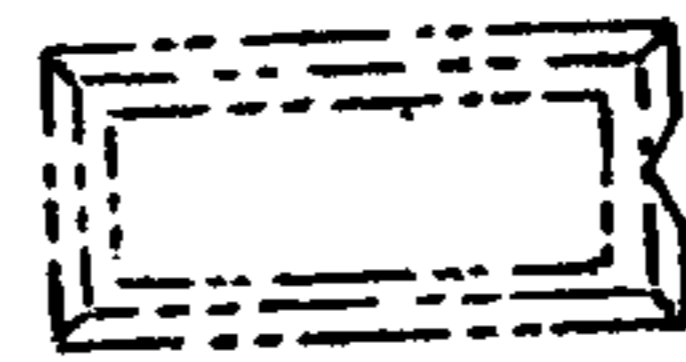


FIG. 6

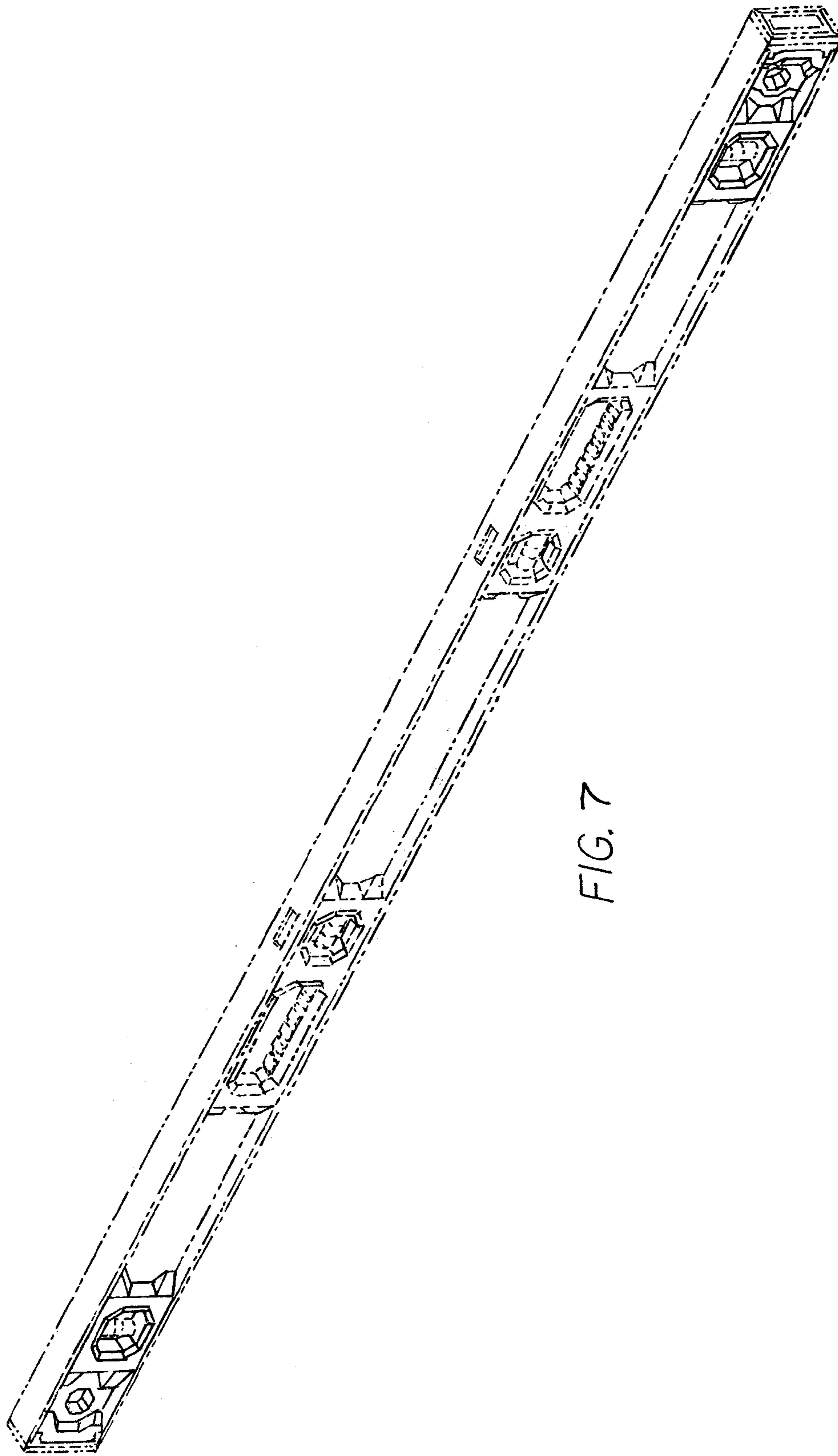


FIG. 7



UNITED STATES PATENT AND TRADEMARK OFFICE  
**CERTIFICATE OF CORRECTION**

PATENT NO. : Des. 518,746 S  
APPLICATION NO. : 29/228636  
DATED : April 11, 2006  
INVENTOR(S) : Charles D. Kim

Page 1 of 1

It is certified that error appears in the above-identified patent and that said Letters Patent is hereby corrected as shown below:

On Title Page, Col. 1

(73) Assignee: delete the words "Ruud Lighting, Inc." and replace with the words --Empire Level Mfg. Co.--.

Signed and Sealed this

Eleventh Day of July, 2006

A handwritten signature in black ink on a light gray dotted background. The signature reads "Jon W. Dudas" in a cursive style.

JON W. DUDAS

*Director of the United States Patent and Trademark Office*

UNITED STATES PATENT AND TRADEMARK OFFICE  
**CERTIFICATE OF CORRECTION**

PATENT NO. : Des. 518,746 S  
APPLICATION NO. : 29/228636  
DATED : April 11, 2006  
INVENTOR(S) : Charles D. Kim

Page 1 of 1

It is certified that error appears in the above-identified patent and that said Letters Patent is hereby corrected as shown below:

On the Title Page, Item (73) Assignee: delete the words "Ruud Lighting, Inc." and replace with the words --Empire Level Mfg. Co.--.

Signed and Sealed this

Seventh Day of August, 2007

A handwritten signature in black ink on a light gray dotted background. The signature reads "Jon W. Dudas" in a cursive style.

JON W. DUDAS

*Director of the United States Patent and Trademark Office*

UNITED STATES PATENT AND TRADEMARK OFFICE  
**CERTIFICATE OF CORRECTION**

PATENT NO. : Des. 518,746 S  
APPLICATION NO. : 29/228636  
DATED : April 11, 2006  
INVENTOR(S) : Charles D. Kim

Page 1 of 1

It is certified that error appears in the above-identified patent and that said Letters Patent is hereby corrected as shown below:

On Title Page, Col. 1

(73) Assignee: delete the words "Ruud Lighting, Inc." and replace with the words --Empire Level Mfg. Corp., Mukwonago, WI--.

This certificate supersedes the Certificate of Correction issued July 11, 2006.

Signed and Sealed this

Twentieth Day of May, 2008



JON W. DUDAS

*Director of the United States Patent and Trademark Office*