



US00D518740S

(12) **United States Design Patent**
Suzuki

(10) **Patent No.:** **US D518,740 S**

(45) **Date of Patent:** **** Apr. 11, 2006**

(54) **CLOCK**

(75) Inventor: **Hitoshi Suzuki**, Sakuragaoka-Machi (JP)

(73) Assignee: **Hiromori Corporation Holding Company**, Tokyo (JP)

(**) Term: **14 Years**

(21) Appl. No.: **29/224,002**

(22) Filed: **Feb. 23, 2005**

(30) **Foreign Application Priority Data**

Aug. 25, 2004 (HK) 0411879

(51) **LOC (8) Cl.** **10-01**

(52) **U.S. Cl.** **D10/18; D10/20**

(58) **Field of Classification Search** D10/1-29,
D10/122-132; 368/276-278, 280, 284, 285,
368/286, 316, 317, 294, 10, 82-84, 28-30,
368/239-242, 63, 72, 73, 228, 232, 223

See application file for complete search history.

(56) **References Cited**

U.S. PATENT DOCUMENTS

- D299,011 S * 12/1988 Brüssing D10/23
- D309,572 S * 7/1990 Suzuki D10/18
- D319,394 S * 8/1991 Mayuzumi D10/18
- D319,589 S * 9/1991 Unruh et al. D10/23
- D320,163 S * 9/1991 Dingelstad et al. D10/18
- D390,474 S * 2/1998 Wong D10/18
- D410,393 S * 6/1999 Hanig D10/18
- D452,167 S * 12/2001 Leyde et al. D10/18

* cited by examiner

Primary Examiner—Lucy Lieberman

(74) *Attorney, Agent, or Firm*—Robert M. Downey, P.A.

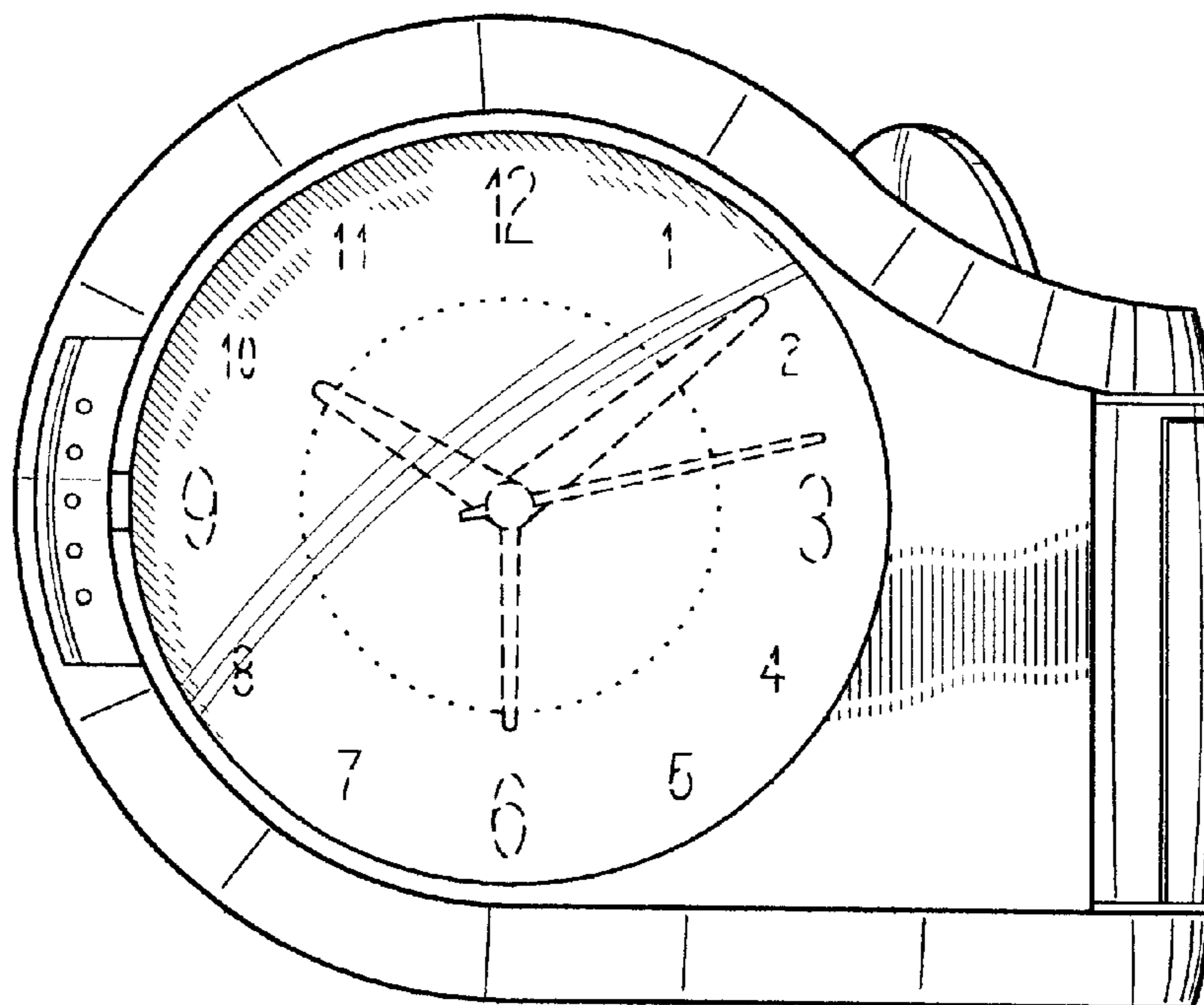
(57) **CLAIM**

The ornamental design for a clock, as shown and described.

DESCRIPTION

FIG. 1 is a top plan view of a clock, showing my new design, wherein a cover of the clock is shown in a closed position; FIG. 2 is a bottom plan view thereof; FIG. 3 is a left side elevational view thereof; FIG. 4 is a right side elevational view thereof; FIG. 5 is a front elevational view thereof; FIG. 6 is a rear elevational view thereof; FIG. 7 is a top right perspective view thereof; FIG. 8 is a top right perspective view shown with the cover in an open position to reveal a clock face; FIG. 9 is a top plan view with the cover in an open position to reveal the clock face; FIG. 10 is a bottom plan view with the cover in an open position; FIG. 11 is a left end elevational view shown with the cover in an open position; FIG. 12 is a right end elevational view shown with the cover in an open position; FIG. 13 is a front elevational view shown with the cover in an open position; and, FIG. 14 is a rear elevational view shown with the cover in an open position. The broken lines showing portions of the clock in FIGS. 2, 8, 9 and 10 are for illustrative purposes only and do not form part of the claimed design.

1 Claim, 6 Drawing Sheets



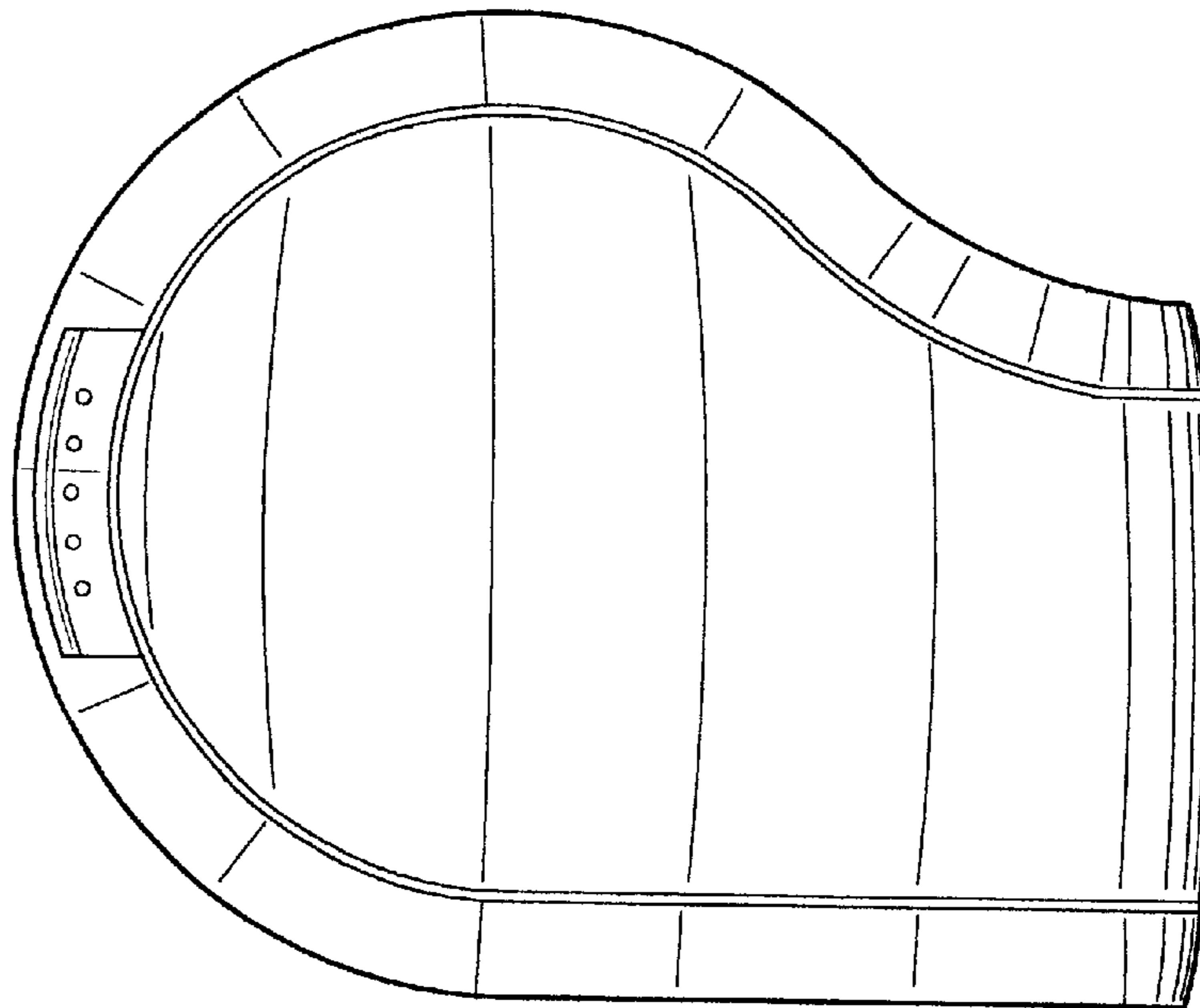


FIG. 1

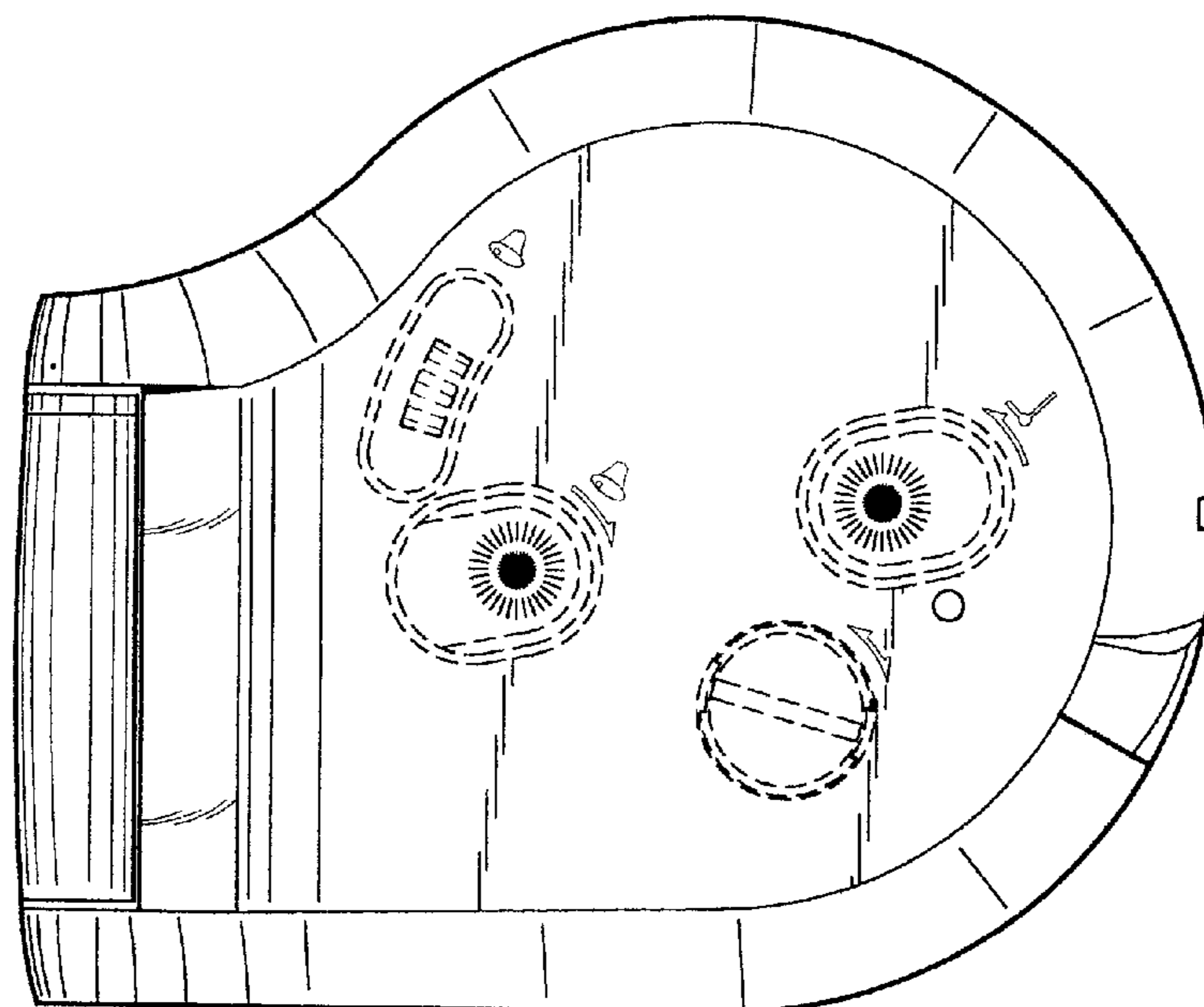


FIG. 2

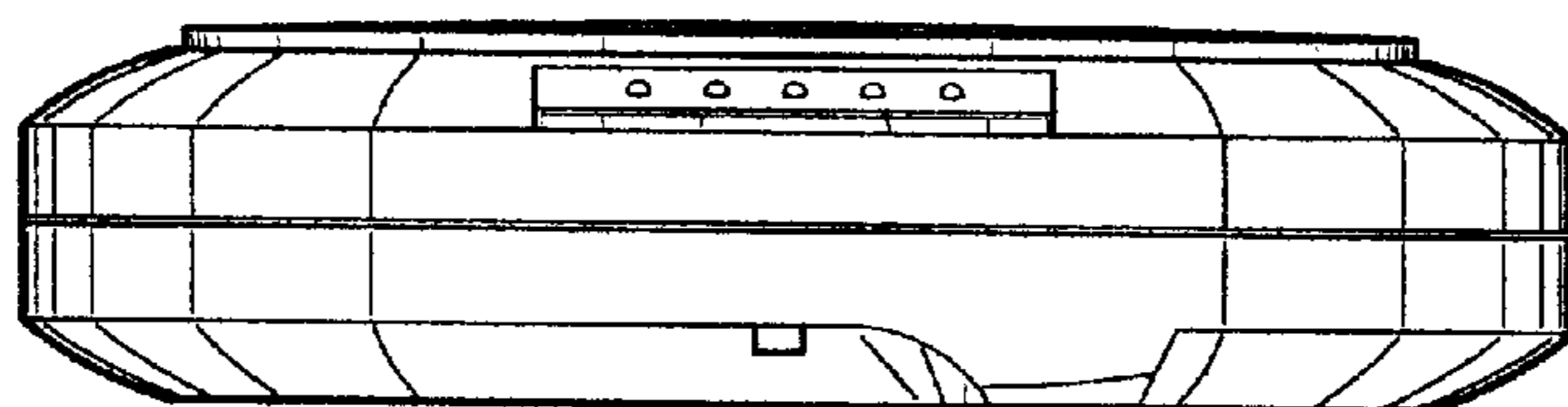


FIG. 3

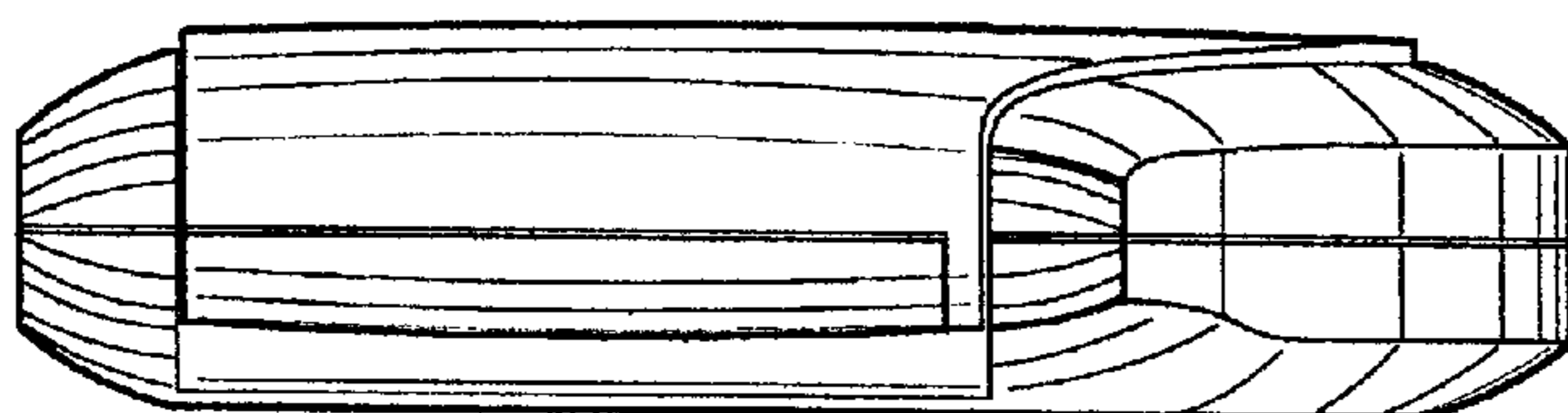


FIG. 4

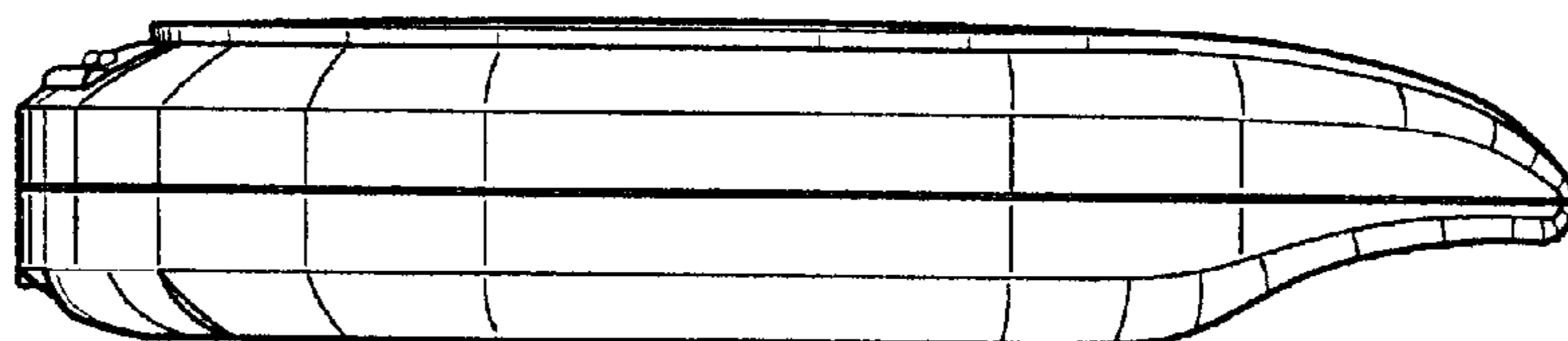


FIG. 5

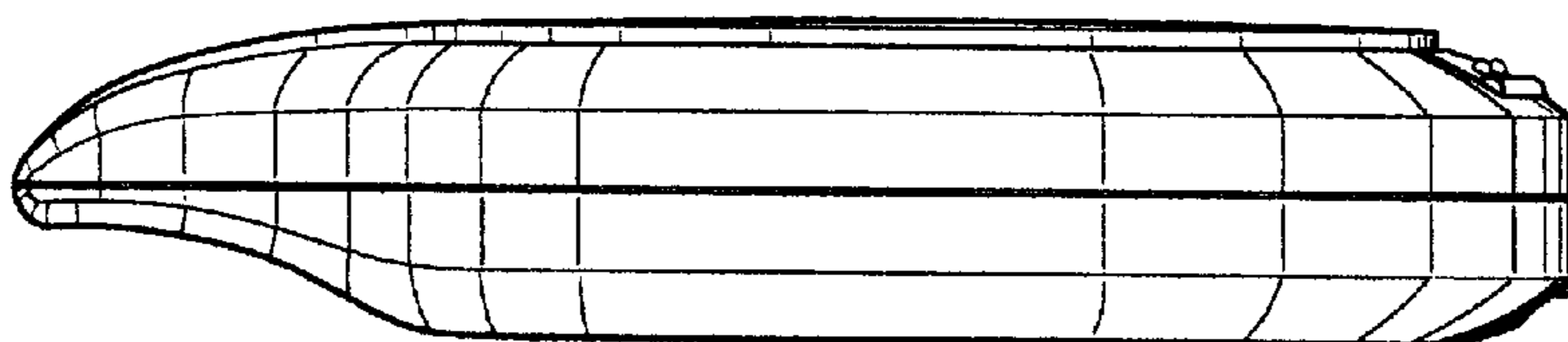


FIG. 6

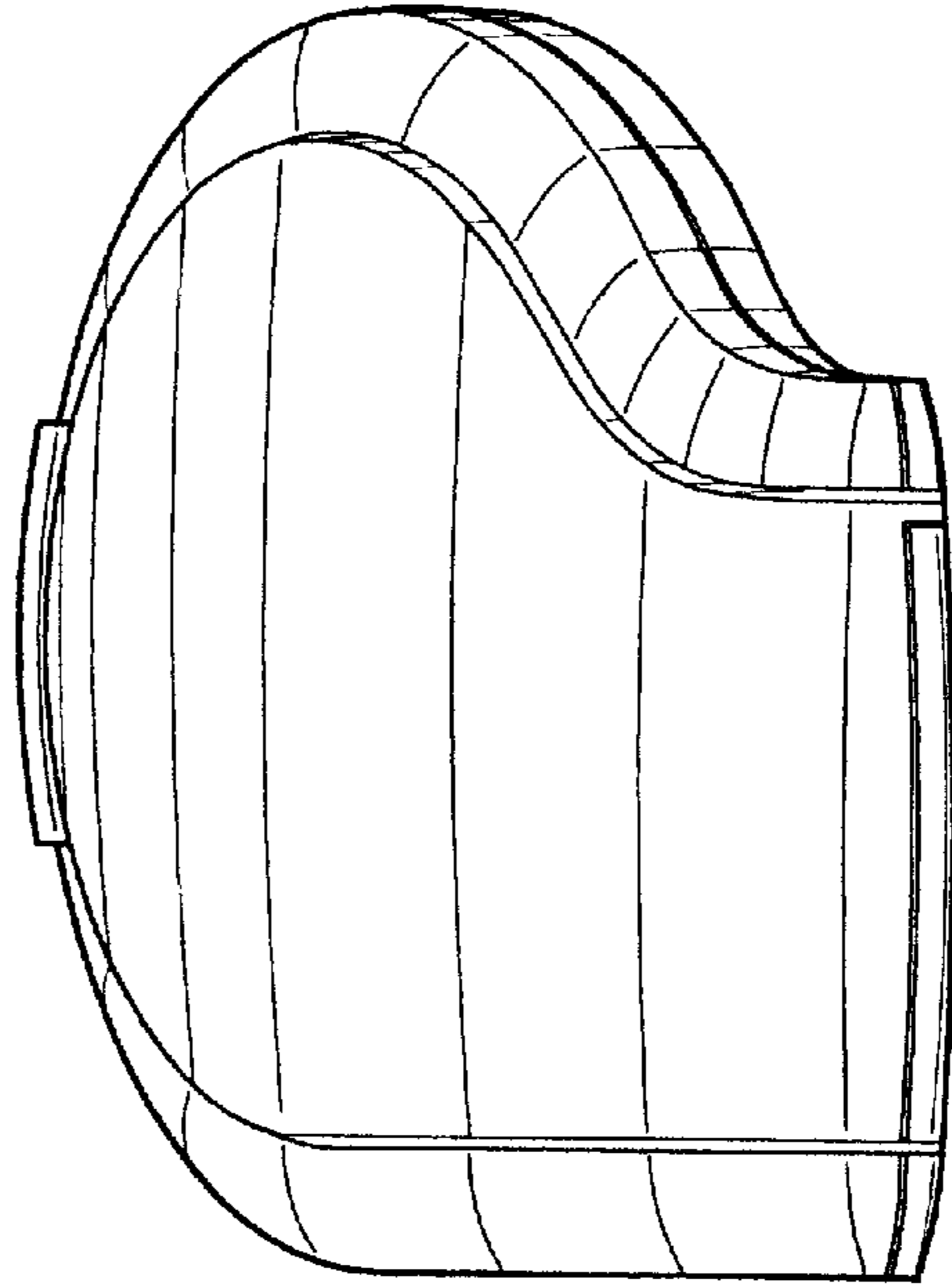


FIG. 7

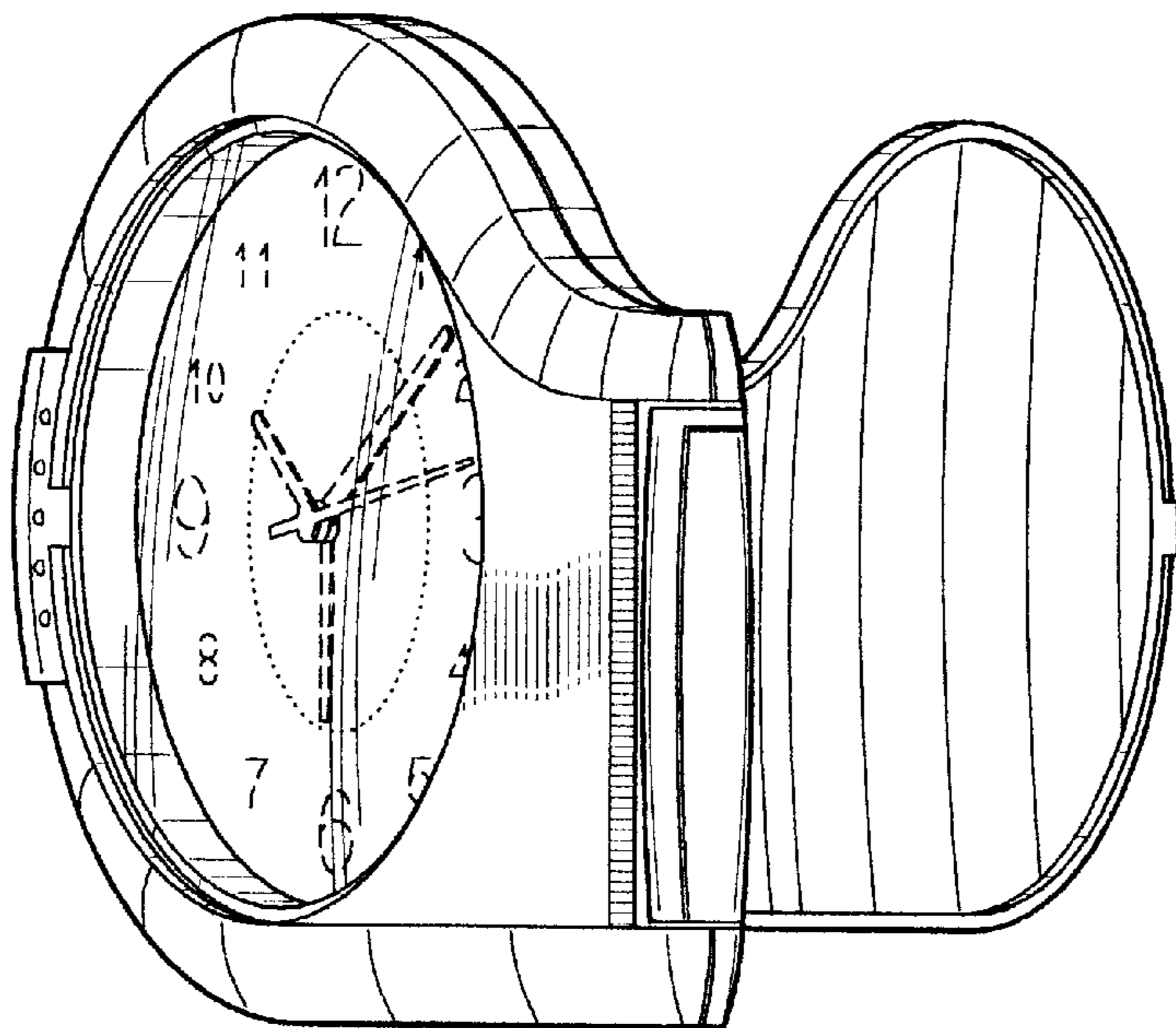


FIG. 8

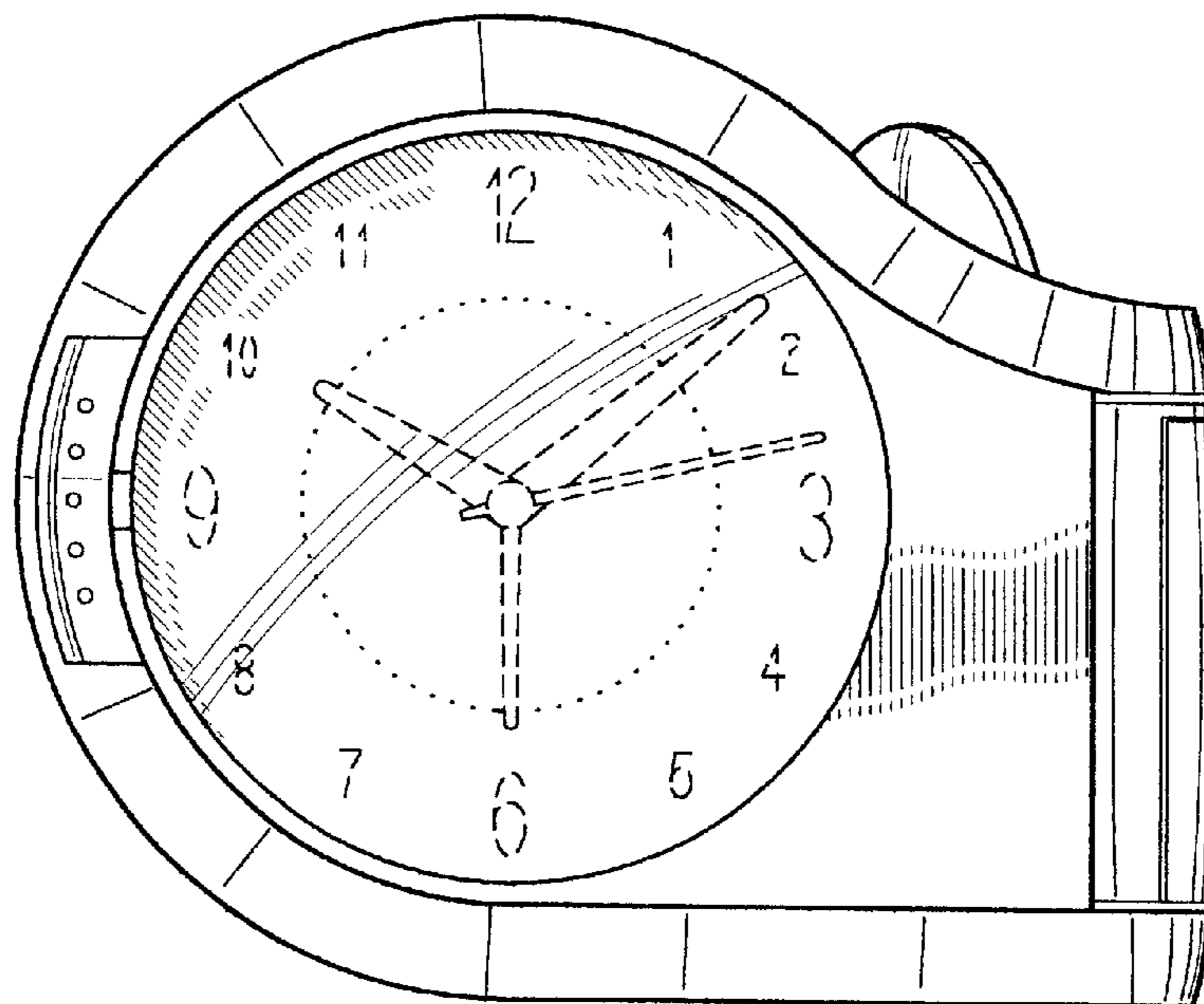


FIG. 9

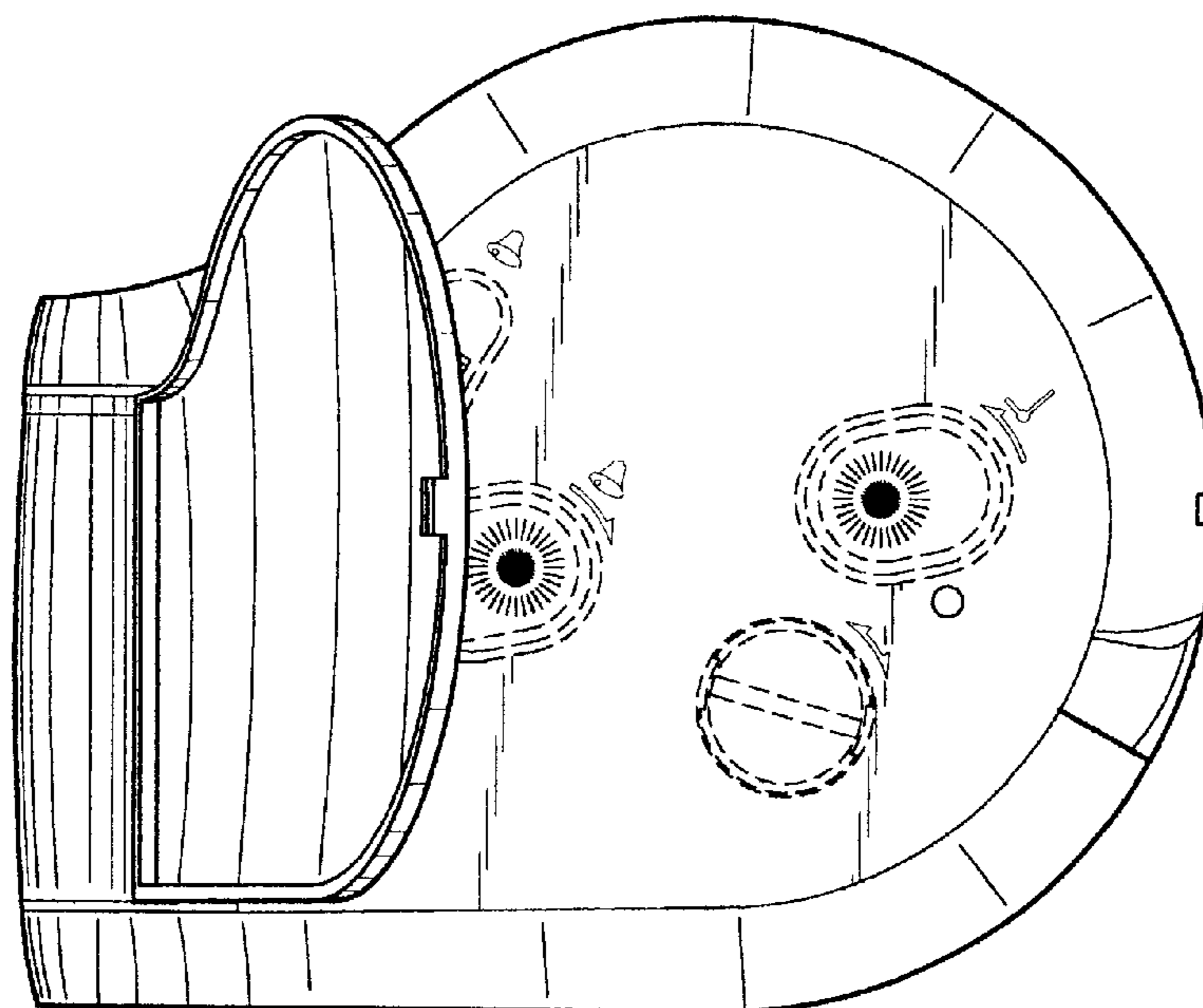


FIG. 10

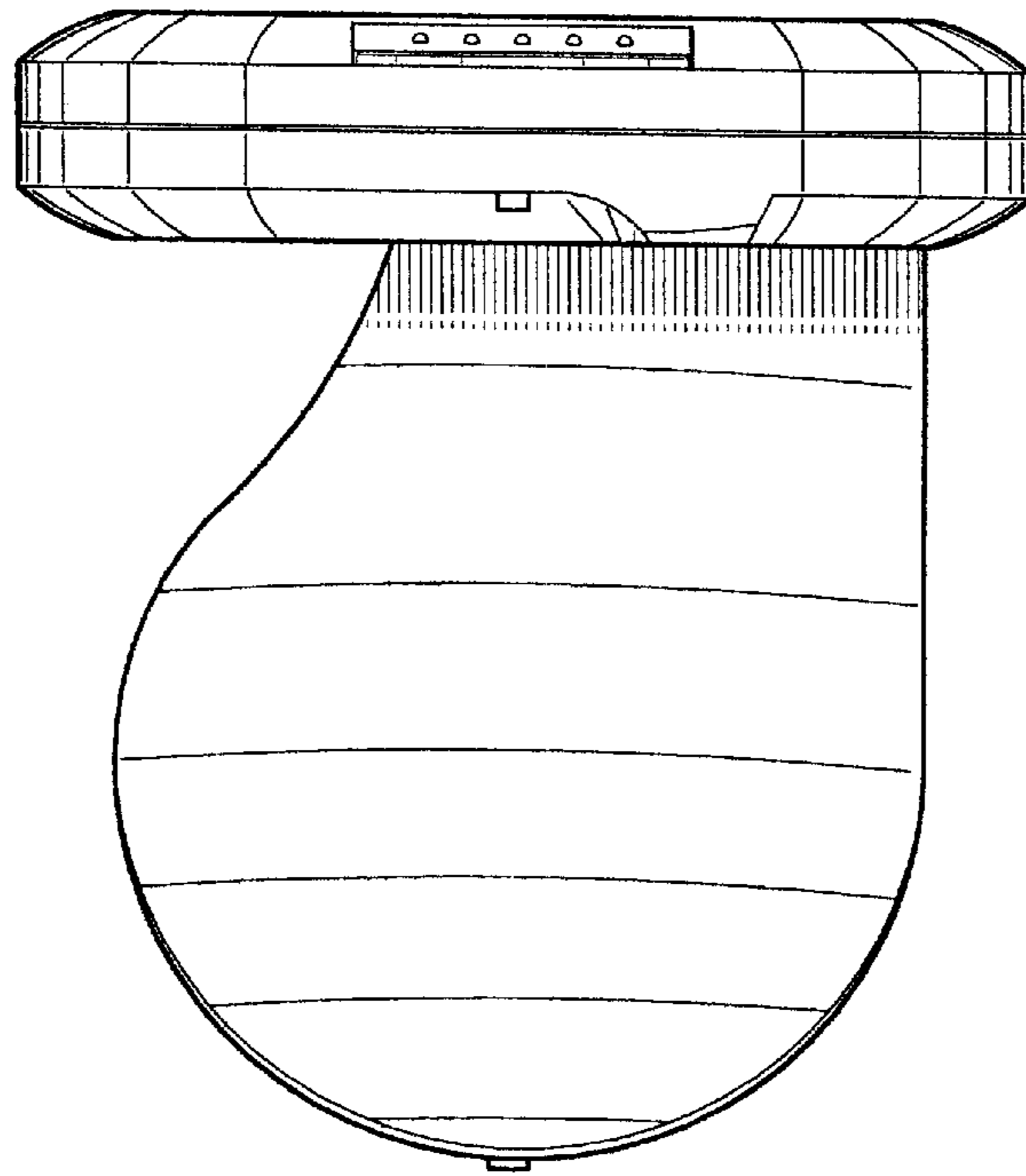


FIG. 11

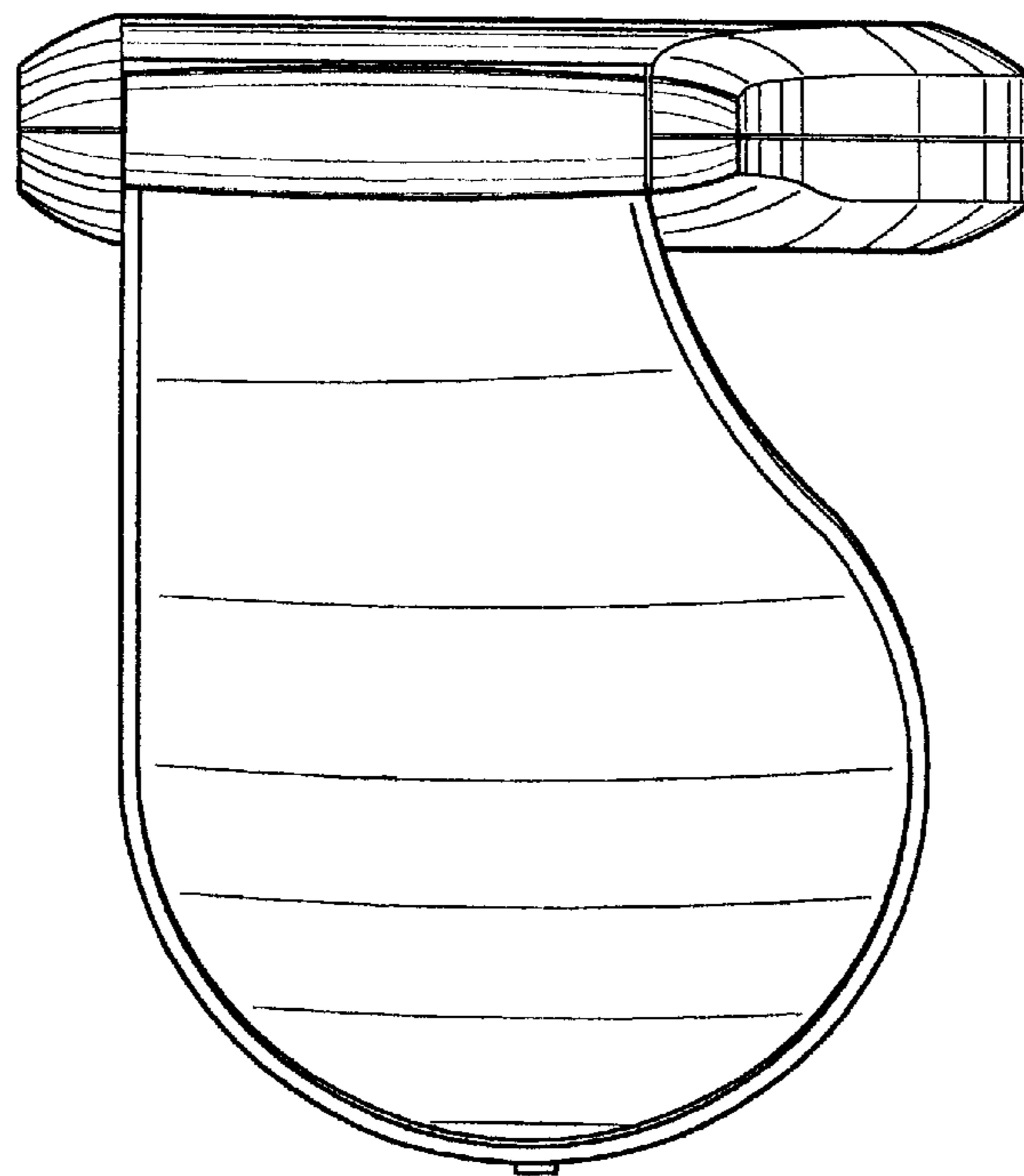


FIG. 12

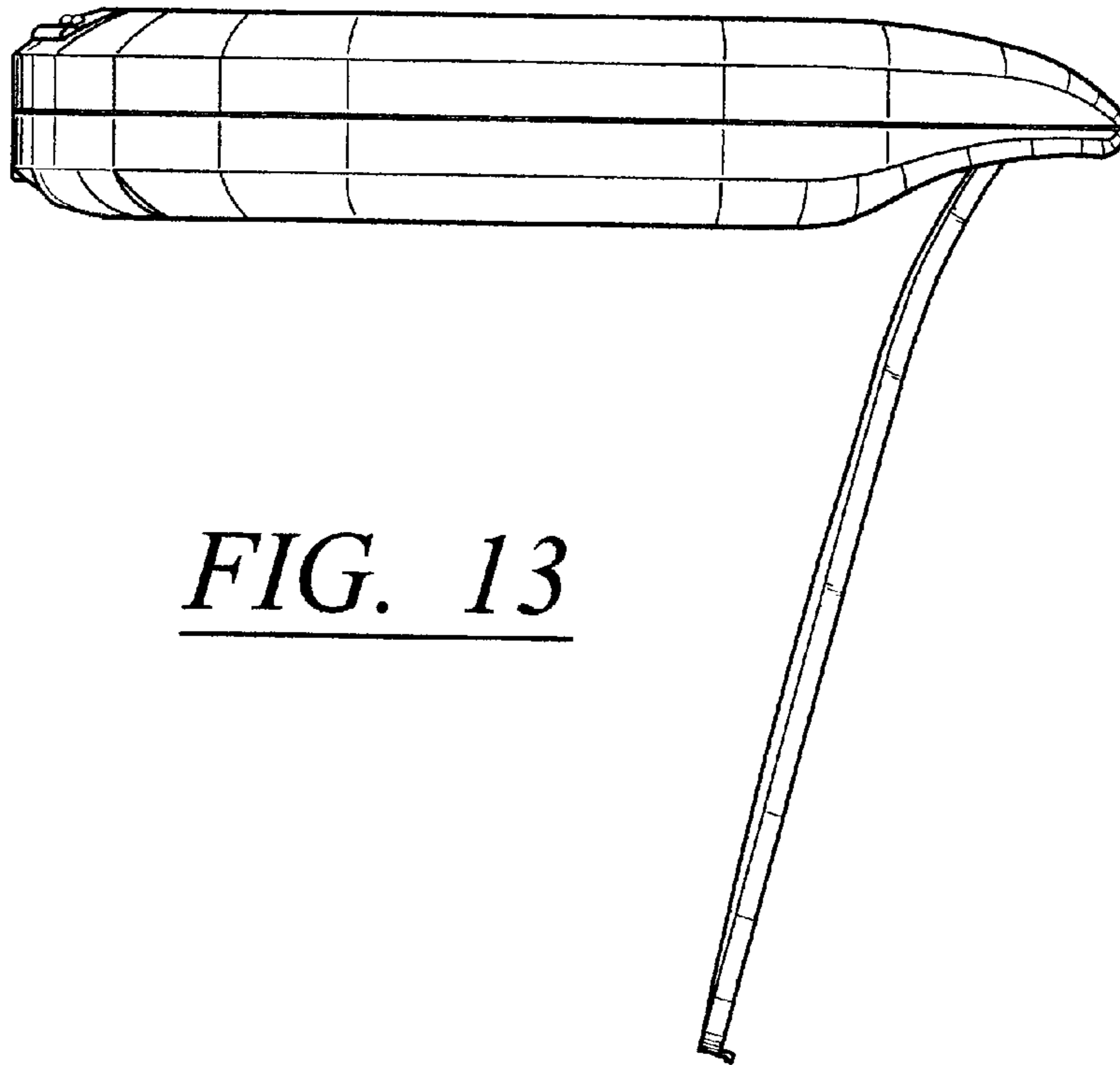


FIG. 13

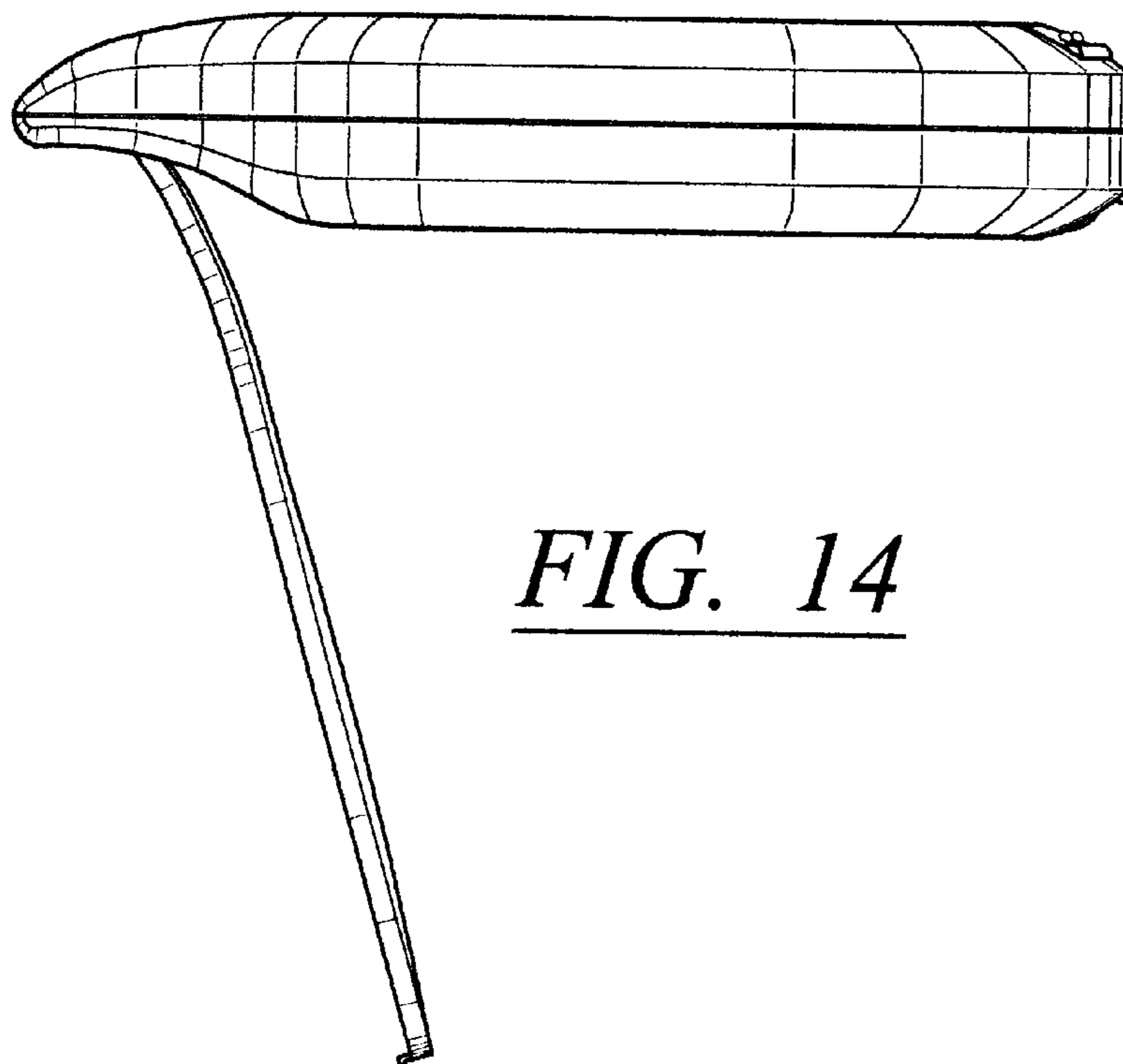


FIG. 14