



US00D518735S

(12) **United States Design Patent**  
**Clamage**

(10) **Patent No.:** **US D518,735 S**

(45) **Date of Patent:** **\*\* Apr. 11, 2006**

(54) **CONTAINER**

(75) Inventor: **Eric D. Clamage**, Stamford, CT (US)

(73) Assignee: **Kraft Foods Holdings, Inc.**, Northfield, IL (US)

(\*\*) Term: **14 Years**

(21) Appl. No.: **29/209,899**

(22) Filed: **Jul. 23, 2004**

(Under 37 CFR 1.47)

(51) **LOC (8) Cl.** ..... **09-01**

(52) **U.S. Cl.** ..... **D9/551**

(58) **Field of Classification Search** ..... D9/500,  
D9/502-504, 516, 414, 418, 428, 551-555,  
D9/537-539, 556-559, 561, 564, 569-575;  
215/282-284, 296, 298, 400; 220/660, 760,  
220/773-774; D7/629, 540, 542

See application file for complete search history.

(56) **References Cited**

**U.S. PATENT DOCUMENTS**

D87,726 S	*	9/1932	Miller	.....	D9/551
2,142,301 A	*	1/1939	Buchalter	.....	220/694 X
D199,203 S	*	9/1964	Dailey	.....	D9/561
D234,044 S	*	1/1975	Hasegawa	.....	D9/506
4,478,358 A	*	10/1984	Lantry	.....	222/213
D276,684 S	*	12/1984	Sublett	.....	D7/612
D278,600 S	*	4/1985	Fortuna	.....	D9/556
D282,442 S		2/1986	Kohnle		
4,762,229 A	*	8/1988	Wickre	.....	220/906 X
D324,281 S	*	2/1992	Brussing	.....	D34/1
5,100,017 A		3/1992	Ishinabe et al.		
D355,850 S	*	2/1995	Lee	.....	D9/428
D370,850 S		6/1996	Beaver		
D372,194 S	*	7/1996	Dallaire	.....	D9/551 X
D401,508 S		11/1998	Brown, III		
5,878,906 A		3/1999	Bolton et al.		

D422,848 S	*	4/2000	Hansen	.....	D7/612
6,079,591 A	*	6/2000	Timms	.....	220/771
D430,802 S	*	9/2000	Adachi et al.	.....	D9/539 X
6,145,681 A		11/2000	Chimetto et al.		
6,164,474 A		12/2000	Cheng et al.		
D449,000 S		10/2001	Brown, III		
D462,012 S		8/2002	Manderfield, Jr.		
D468,203 S		1/2003	Gittins et al.		
D468,636 S	*	1/2003	Weinstein et al.	.....	D9/418
D474,377 S		5/2003	Holsinger		
D474,651 S	*	5/2003	Ward	.....	D7/615
D476,898 S		7/2003	Schuller et al.		
D480,312 S		10/2003	Mungar et al.		
D493,110 S	*	7/2004	Levesque	.....	D9/551 X
2003/0010787 A1		1/2003	Dalton et al.		

**OTHER PUBLICATIONS**

U.S. Appl. No. 29/209,900, filed Jul. 23, 2004.  
U.S. Appl. No. 10/897,401, filed Jul. 23, 2004.

\* cited by examiner

*Primary Examiner*—Carol Rademaker

(74) *Attorney, Agent, or Firm*—Fitch Even Tabin & Flannery

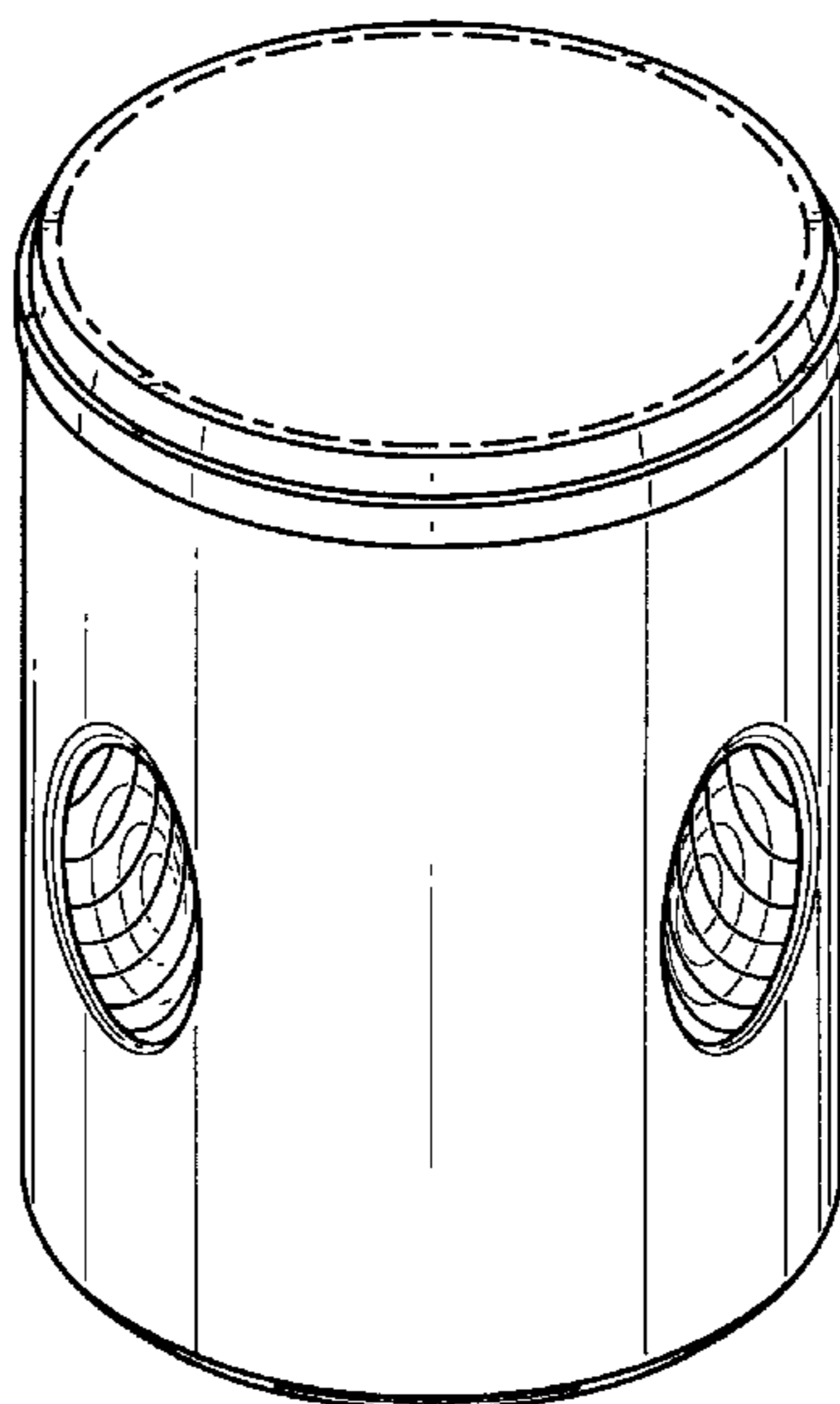
(57) **CLAIM**

The ornamental design for a container, as shown and described.

**DESCRIPTION**

FIG. 1 is a perspective view of the container showing my new design;  
FIG. 2 is a top plan view thereof;  
FIG. 3 is a front elevational view thereof;  
FIG. 4 is a rear elevational view thereof;  
FIG. 5 is a right side elevational view, the left side elevational view being a mirror image thereof; and,  
FIG. 6 is a bottom plan view thereof.

**1 Claim, 4 Drawing Sheets**



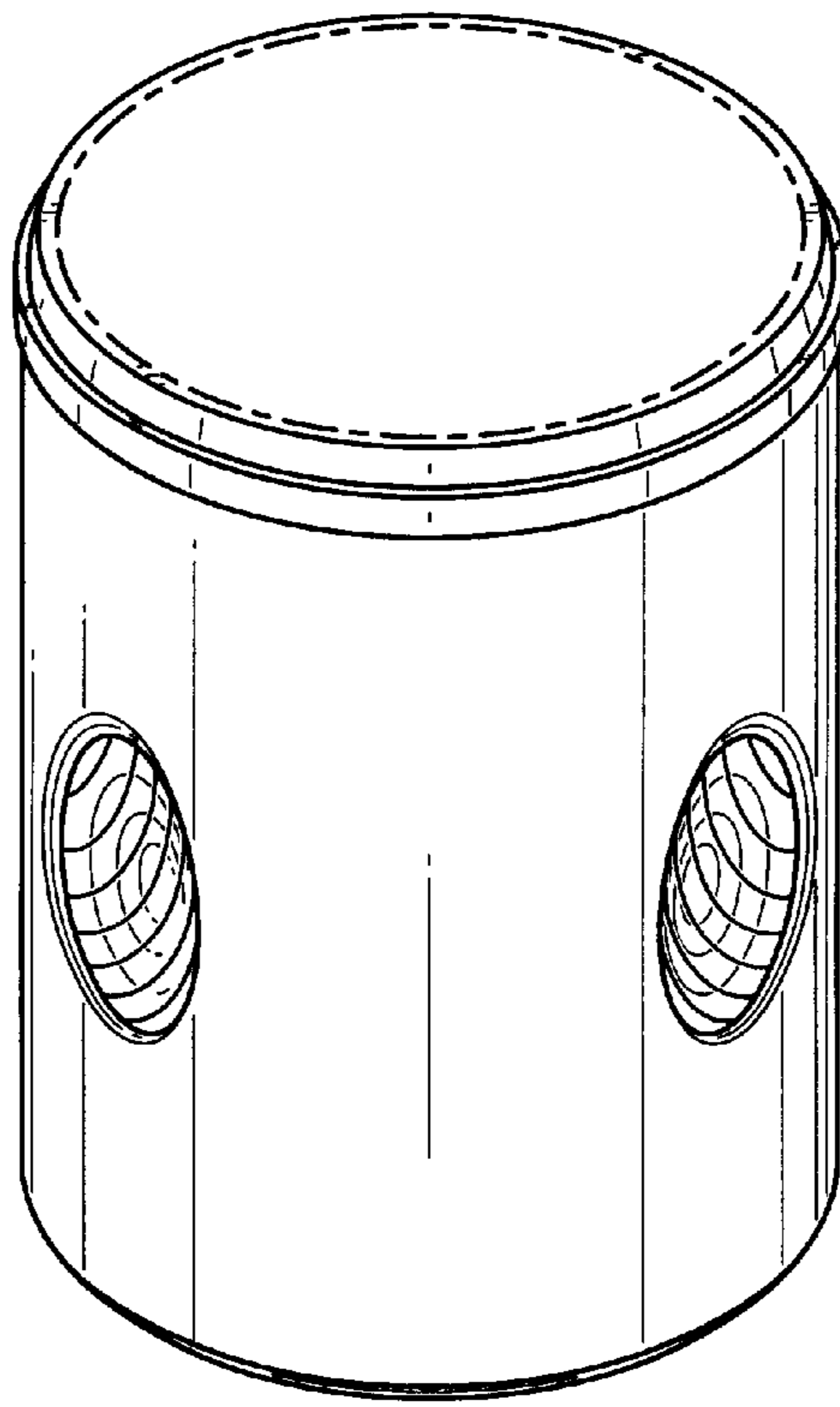


FIG. 1

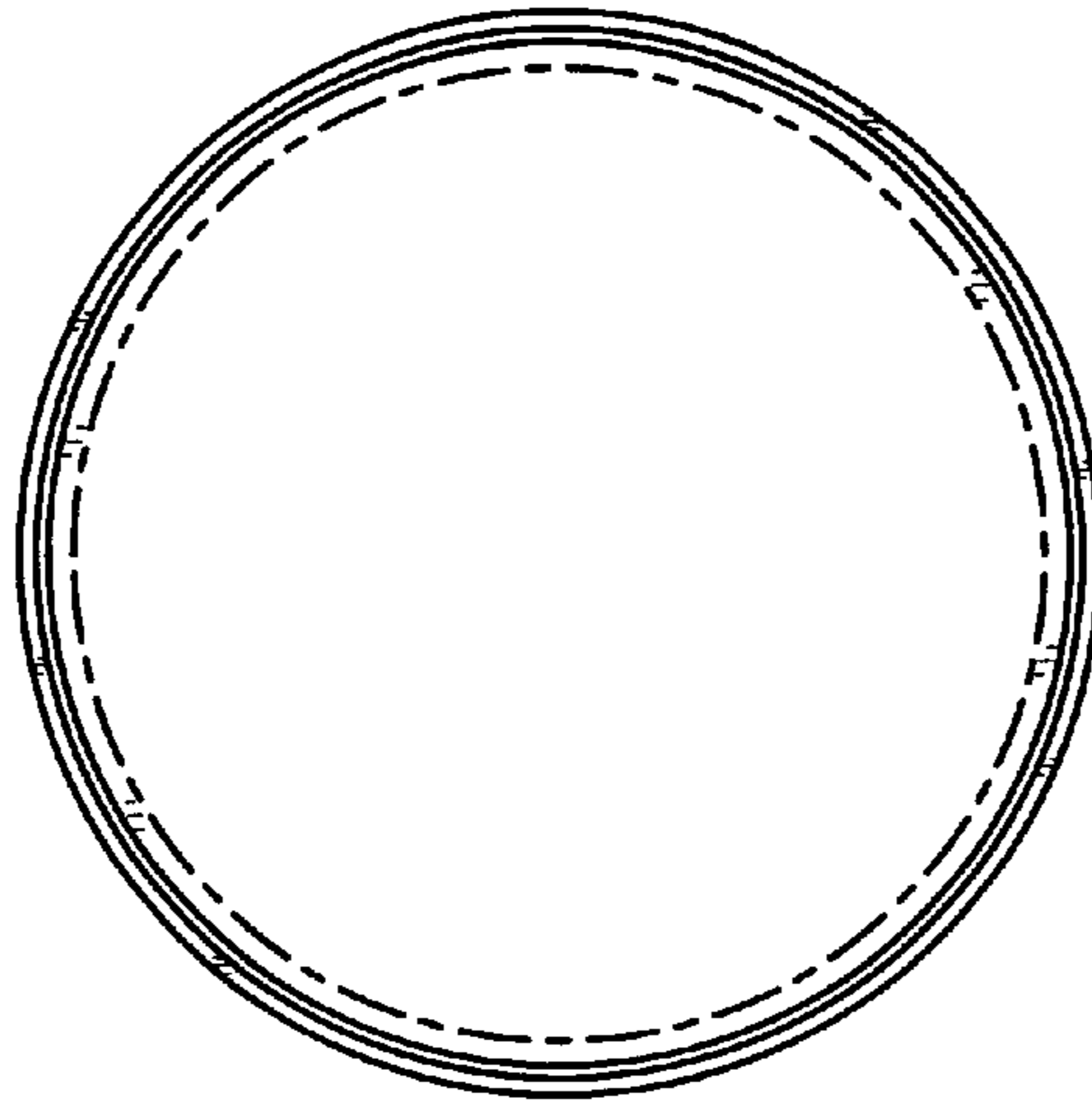


FIG. 2

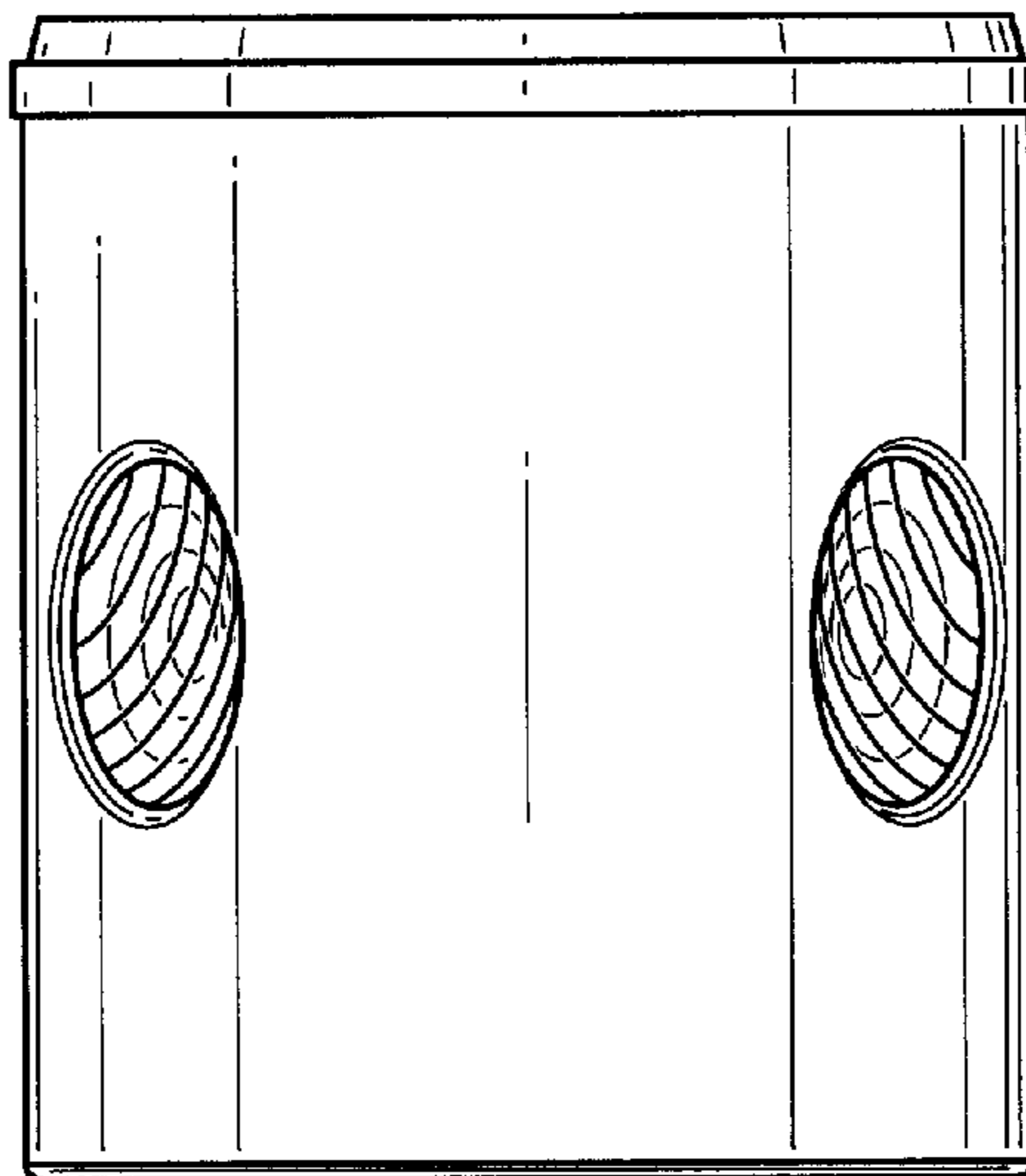


FIG. 3

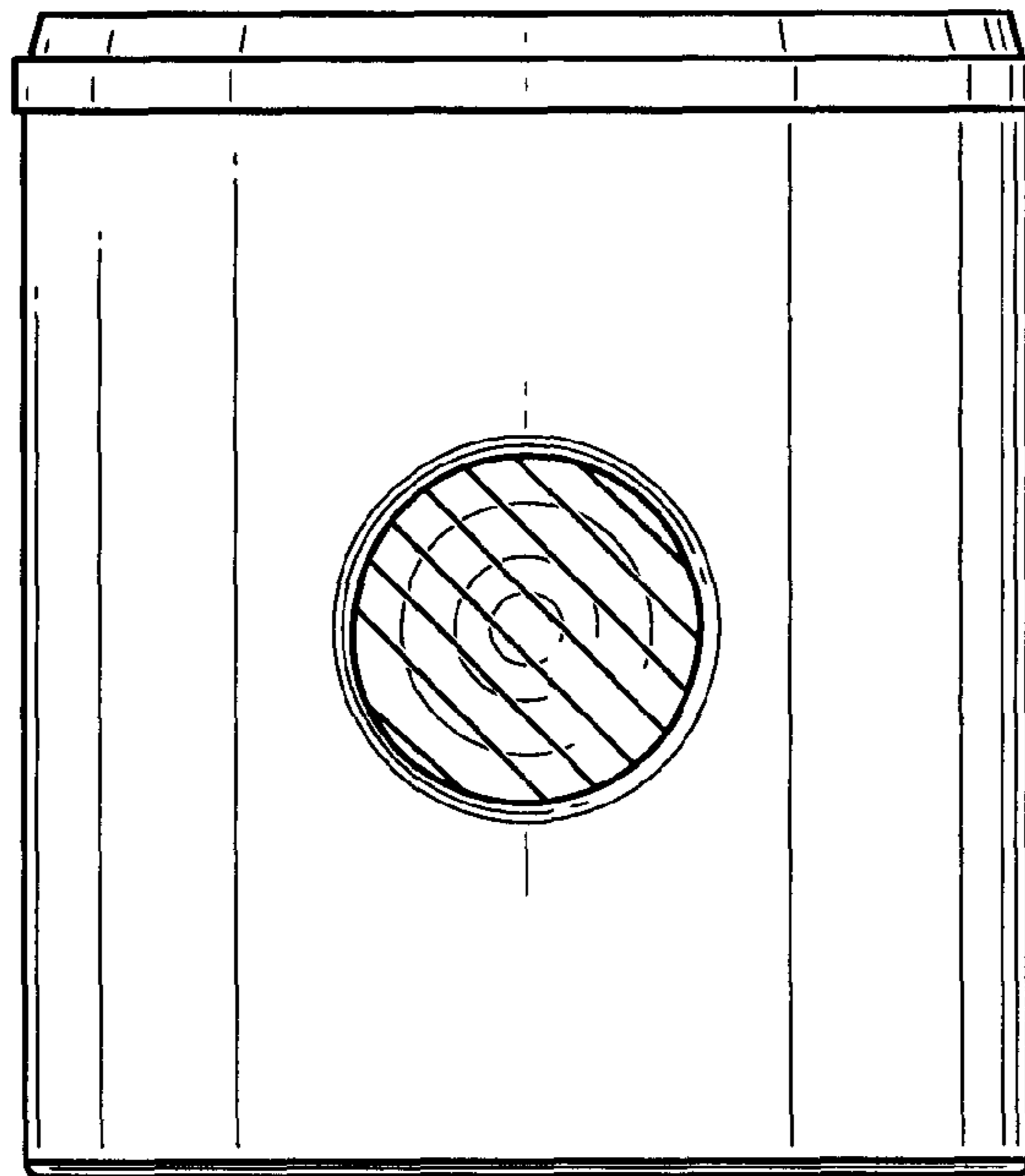


FIG. 4

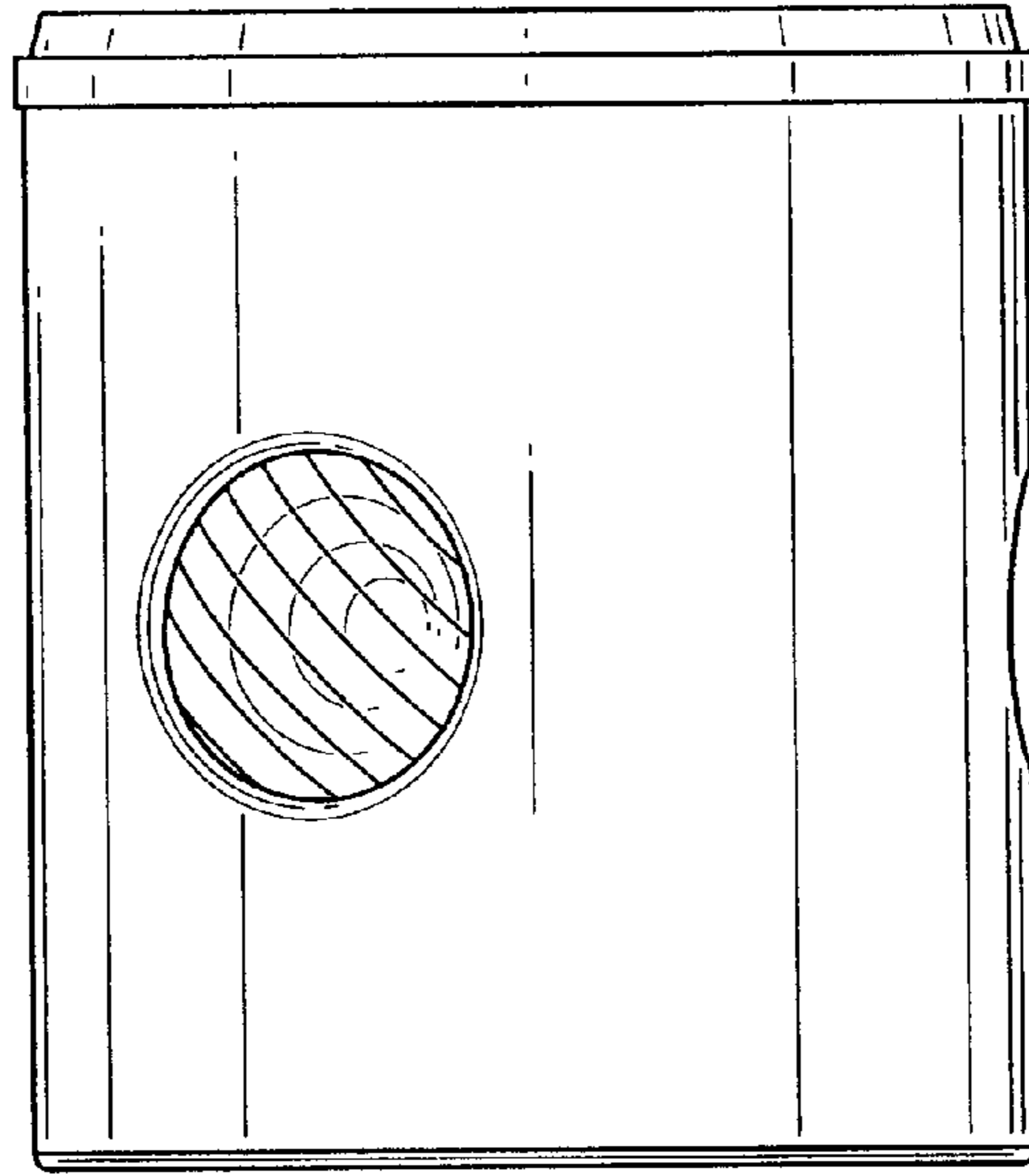


FIG. 5

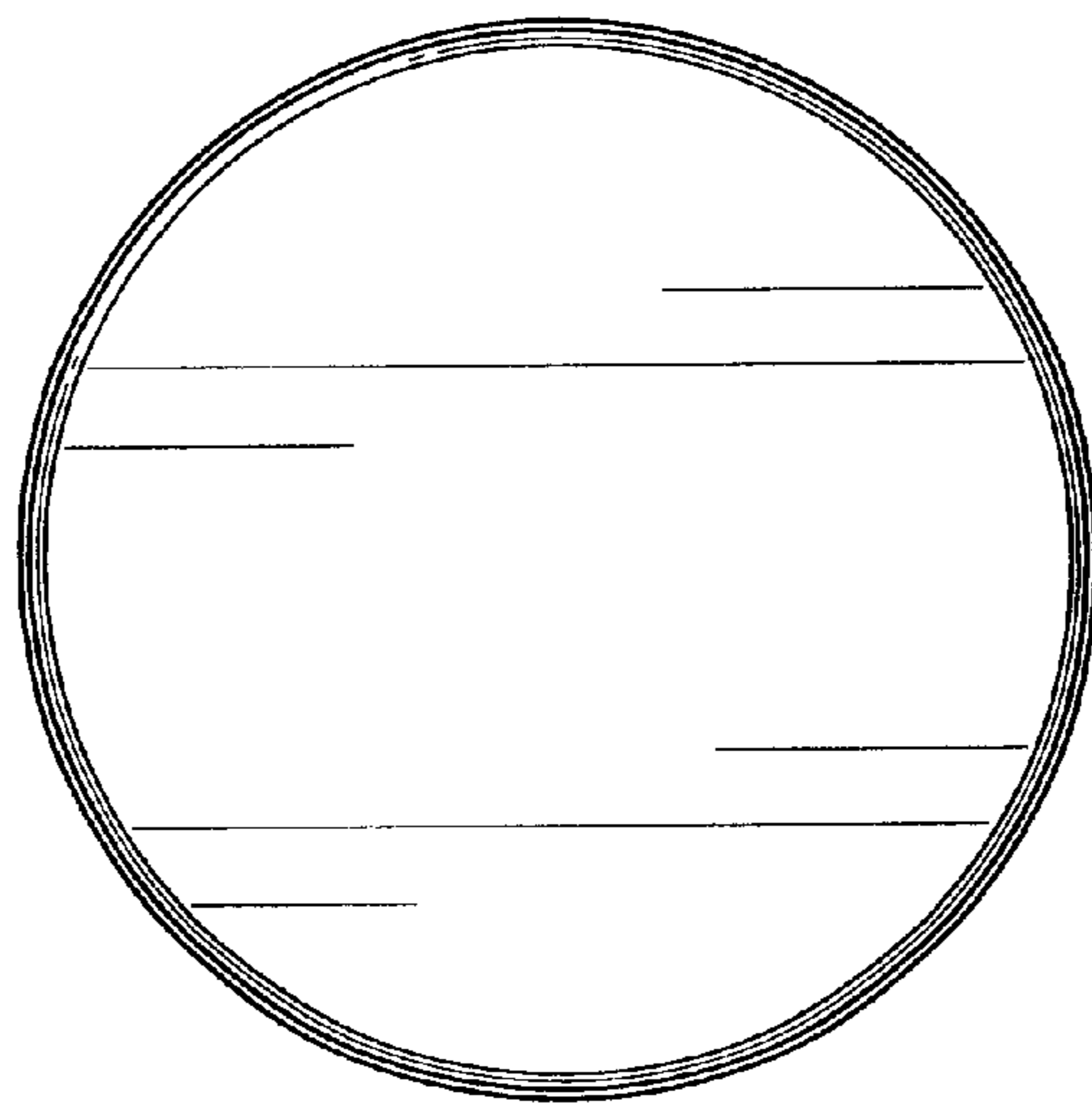


FIG. 6