



US00D518730S

(12) **United States Design Patent** (10) **Patent No.:** **US D518,730 S**
Caserta et al. (45) **Date of Patent:** **** Apr. 11, 2006**

(54) **AIR FRESHENER DEVICE MATERIAL CONTAINER**

Primary Examiner—Sandra S. Snapp
(74) *Attorney, Agent, or Firm*—Schiff Hardin LLP

(75) Inventors: **Andrea Caserta**, Barcelona (ES);
Jaume Cardellach Lopez, Barcelona (ES); **Pere Casas Colomer**, Barcelona (ES)

(57) **CLAIM**

The ornamental design for an air freshener device material container, as shown and described.

(73) Assignee: **DBK Espana S.A.** (ES)

DESCRIPTION

(**) Term: **14 Years**

(21) Appl. No.: **29/227,122**

(22) Filed: **Apr. 6, 2005**

Related U.S. Application Data

(62) Division of application No. 29/198,551, filed on Jan. 30, 2004.

(51) **LOC (8) Cl.** **09-01**

(52) **U.S. Cl.** **D9/522; D23/366**

(58) **Field of Classification Search** D9/522;
239/135, 136, 58; 261/DIG. 17, DIG. 65;
D23/356–369; 392/390, 392; D21/392

See application file for complete search history.

FIG. 1 is a front and side perspective view of an embodiment of a material container portion of an air freshener device in accordance with the present invention;

FIG. 2 is a back view of an embodiment of a material container portion of an air freshener device in accordance with the present invention;

FIG. 3 is a side view of an embodiment of a material container portion of an air freshener device in accordance with the present invention;

FIG. 4 is a top view of an embodiment of a material container portion of an air freshener device in accordance with the present invention;

FIG. 5 is a front view of an embodiment of a material container portion of an air freshener device in accordance with the present invention;

FIG. 6 is a side view of an embodiment of a material container portion of an air freshener device in accordance with the present invention; and,

FIG. 7 is a bottom view of an embodiment of a material container portion of an air freshener device in accordance with the present invention.

(56) **References Cited**

U.S. PATENT DOCUMENTS

6,104,867 A * 8/2000 Stathakis et al. 392/403
D437,636 S * 2/2001 Basaganas D23/366
D447,550 S * 9/2001 Basaganas D23/366
D449,101 S * 10/2001 Wolpert et al. D23/366
D461,885 S * 8/2002 Jordi D23/366

* cited by examiner

1 Claim, 7 Drawing Sheets





FIG. 1

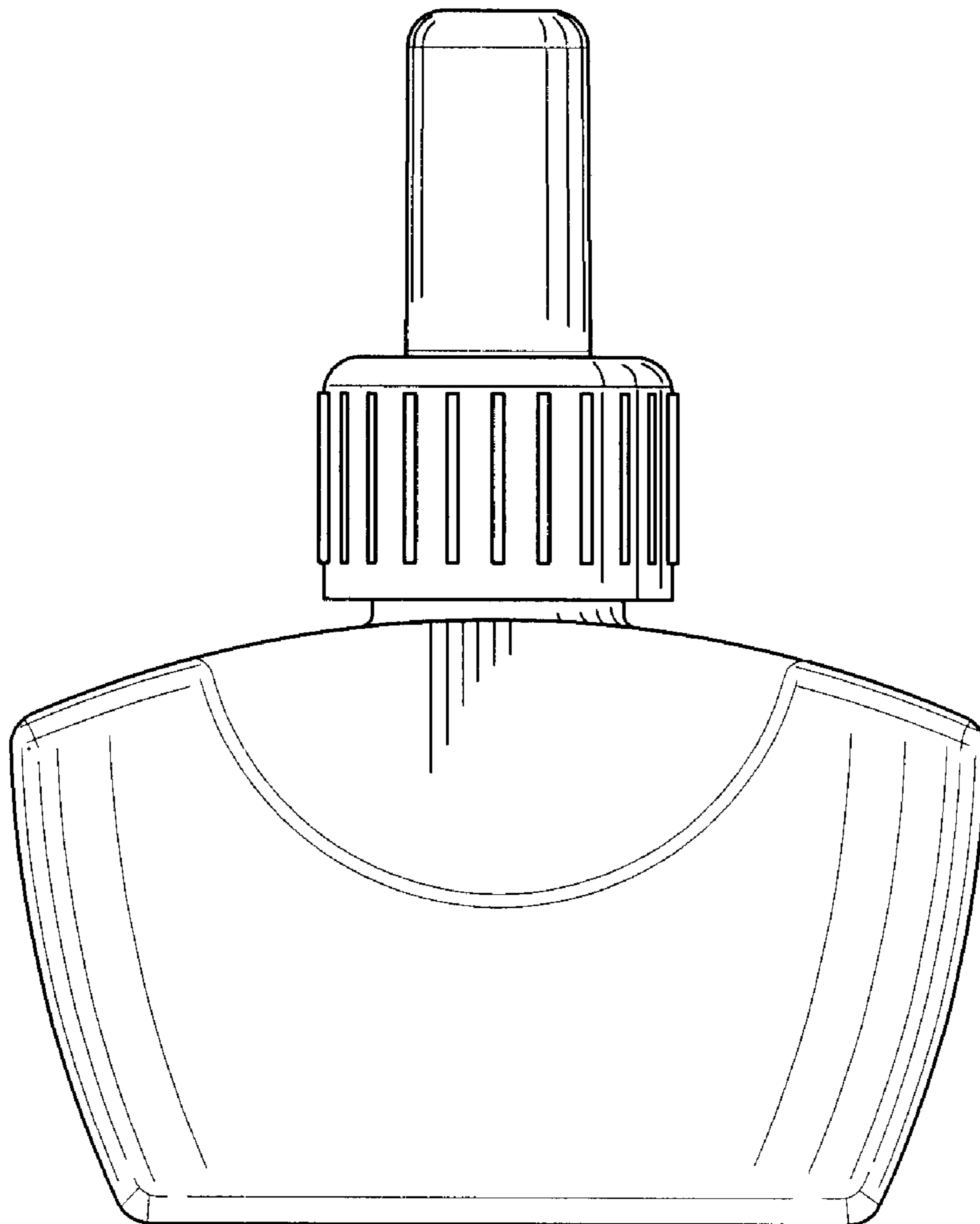


FIG. 2

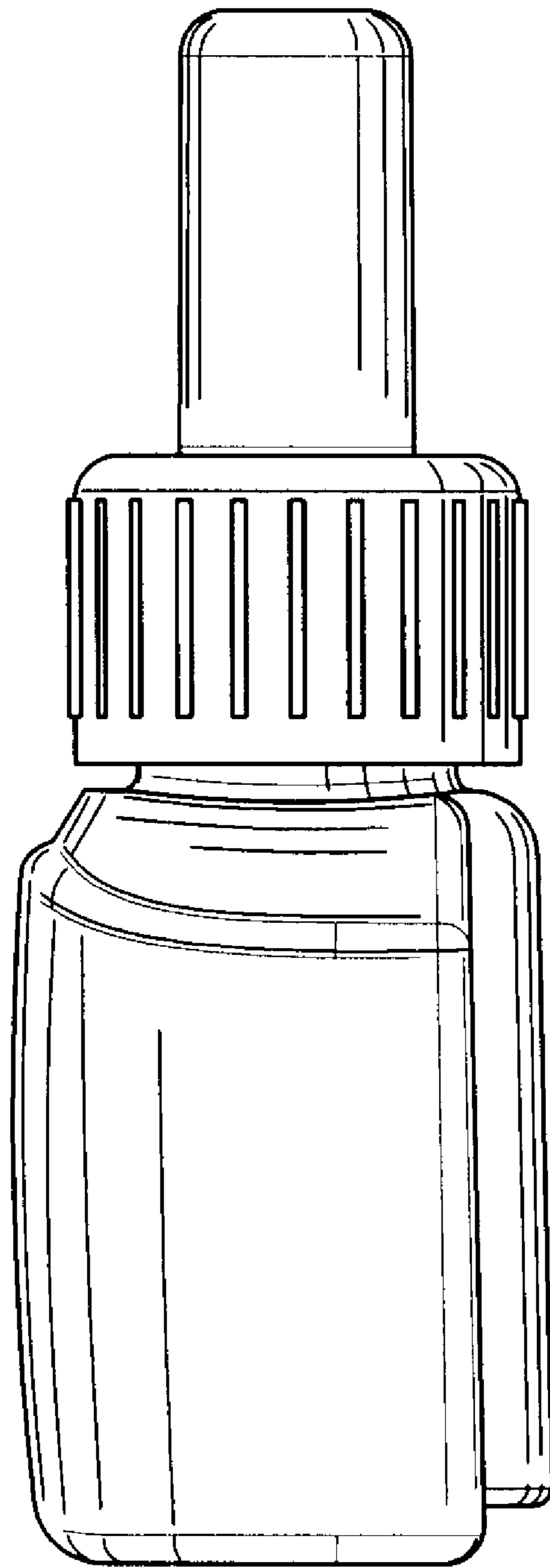


FIG. 3

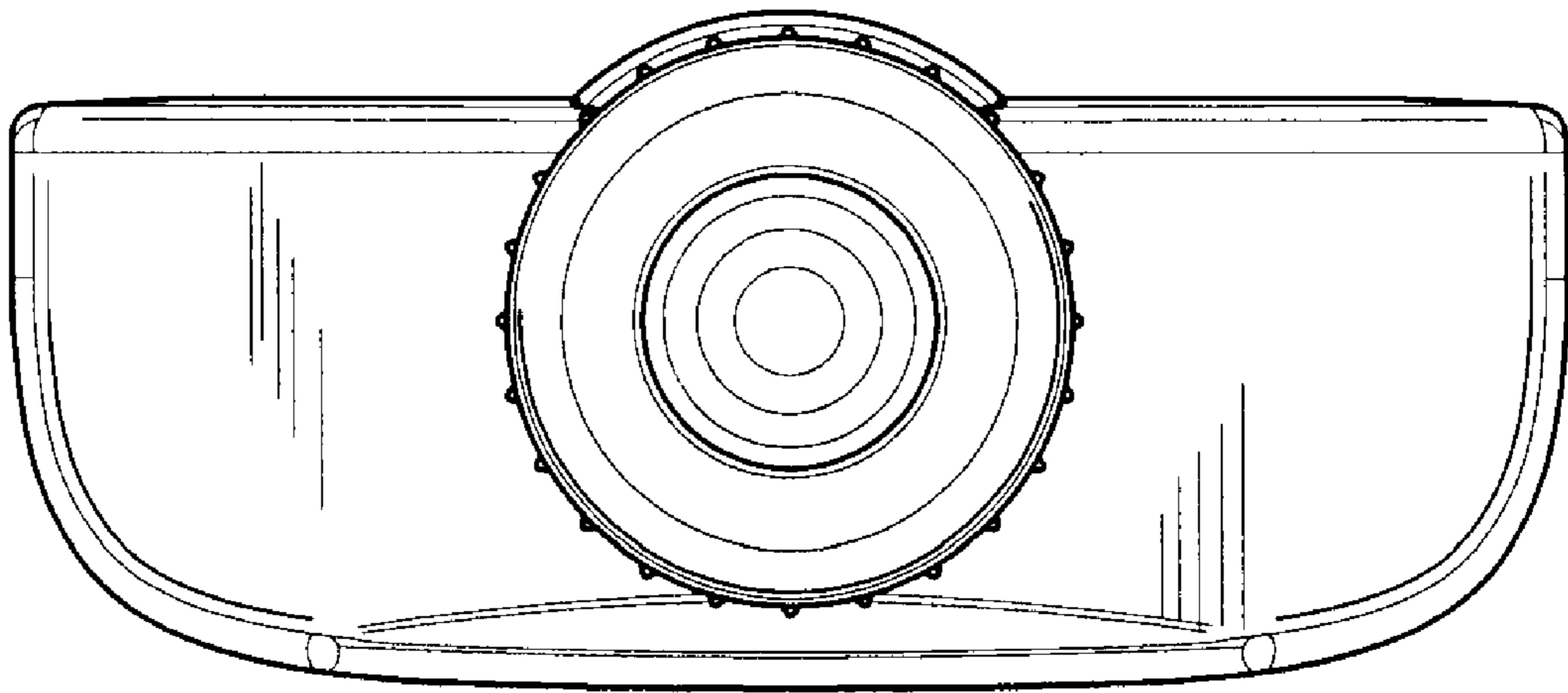


FIG. 4

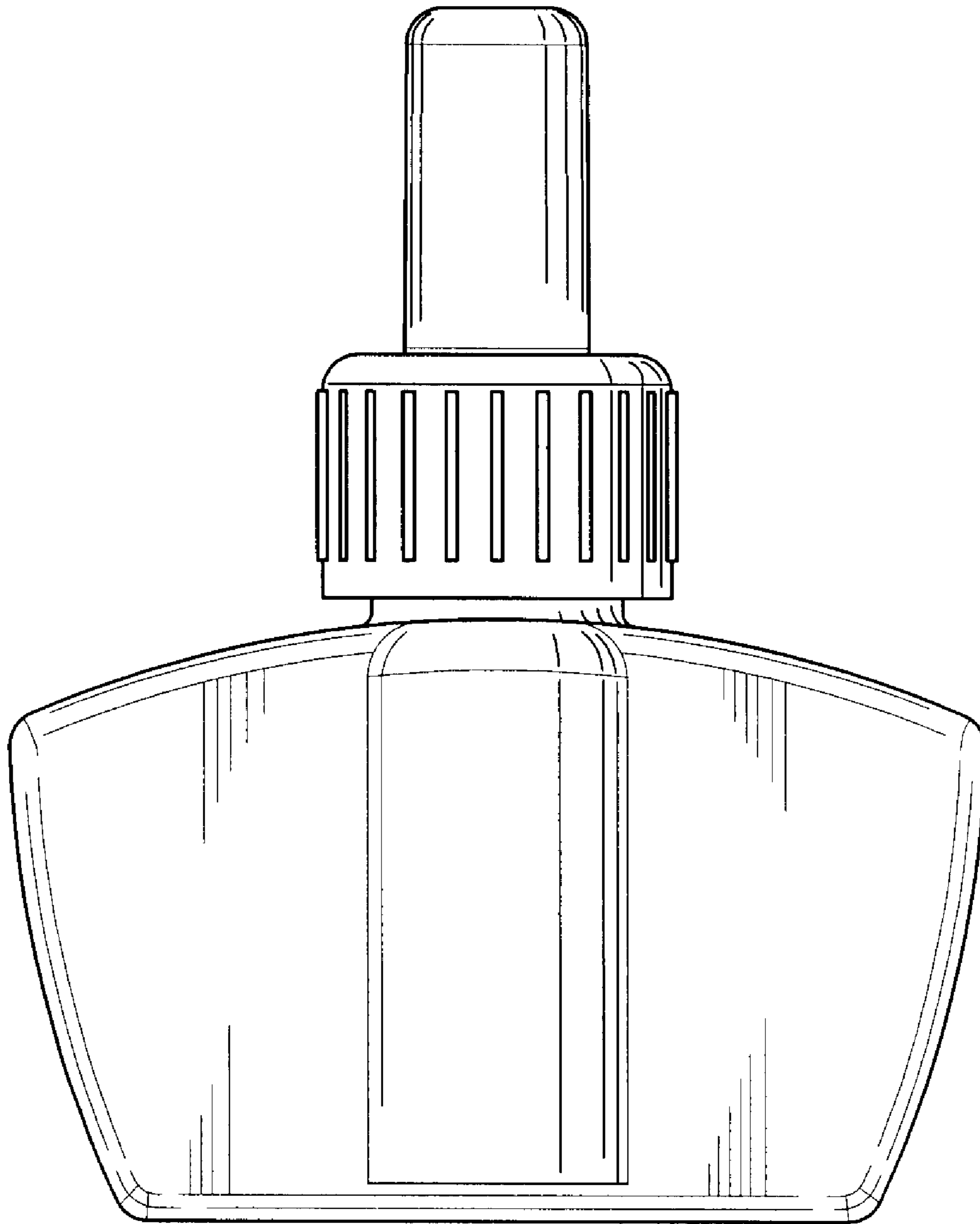


FIG. 5

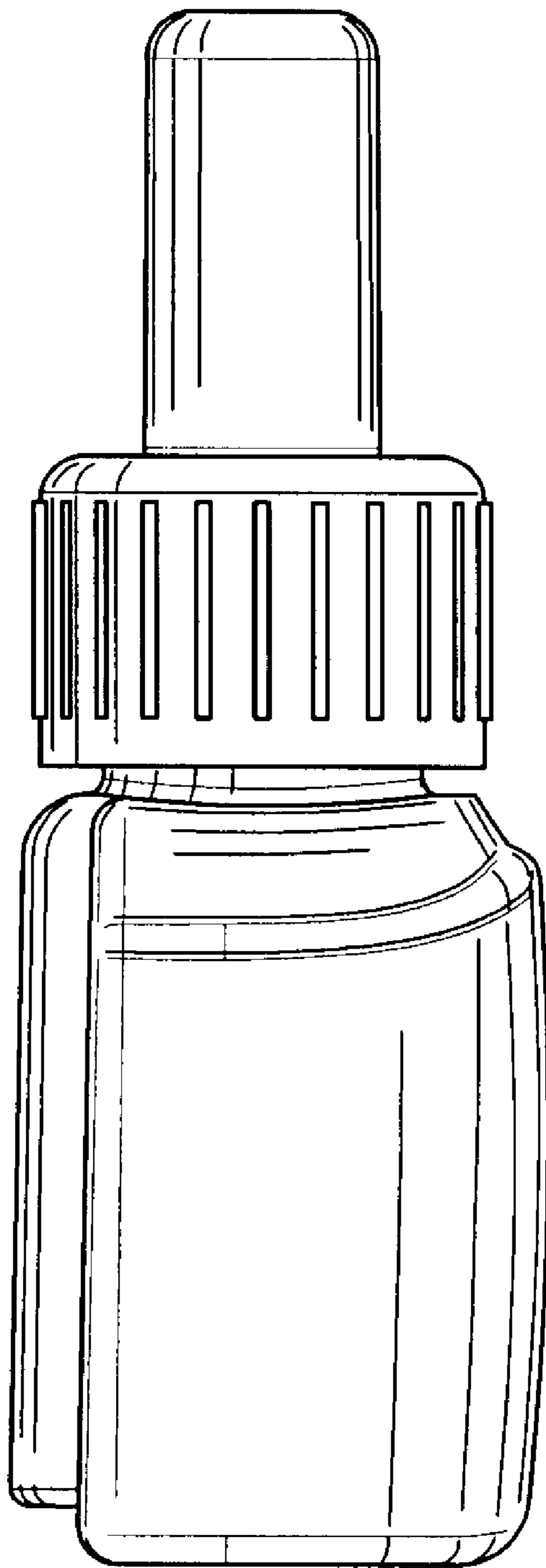


FIG. 6

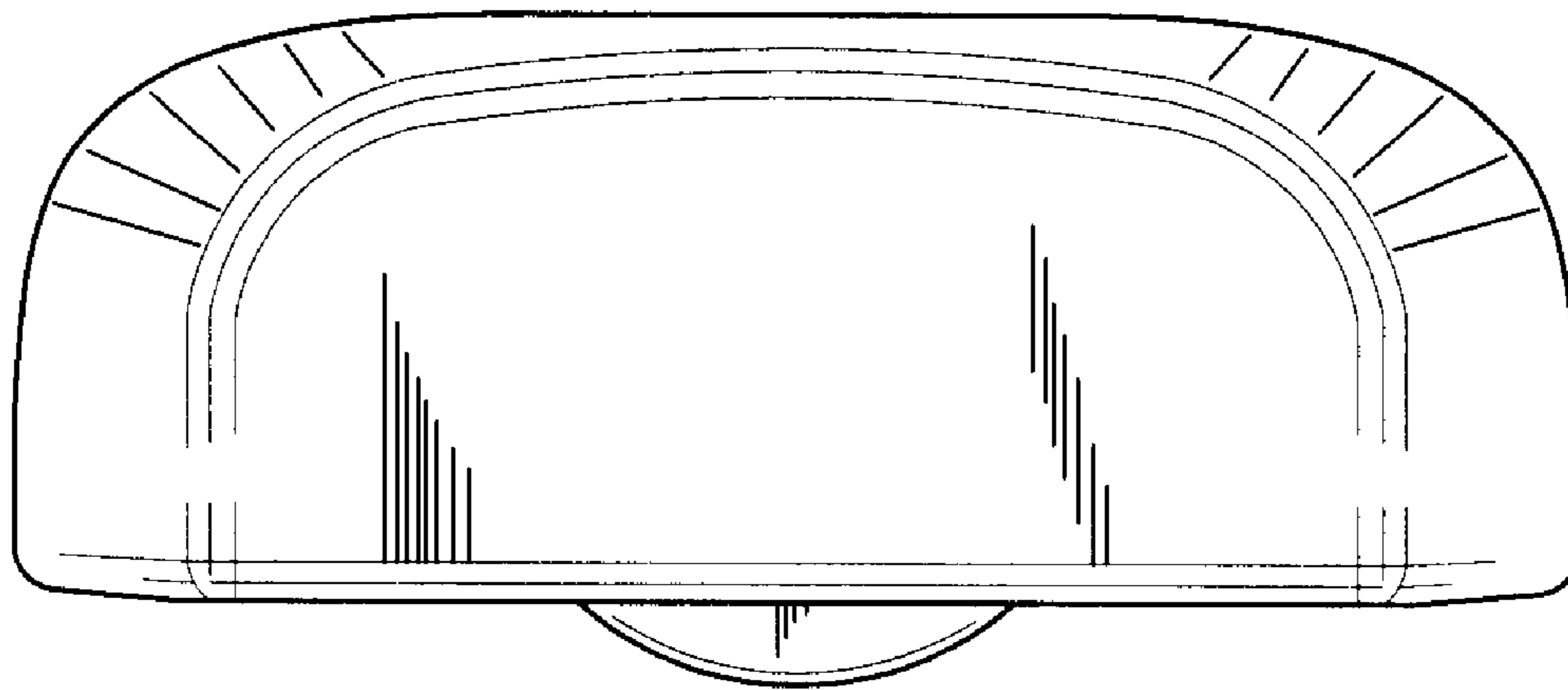


FIG. 7